



US00D341282S

United States Patent [19]

[11] Patent Number: **Des. 341,282**

Russo

[45] Date of Patent: **** Nov. 16, 1993**

[54] **CADDY FOR A SHOWER OR BATH TUB**

D. 326,974	6/1992	Grassie	D6/524
3,232,478	2/1966	Thomasma et al.	221/33
3,869,183	3/1975	Frank, Jr.	211/86
4,889,141	12/1989	Lindsey	206/77.1 X

[76] Inventor: **Jeff Russo, 24 Burhans Ave., Yonkers, N.Y. 10701**

[**] Term: **14 Years**

*Primary Examiner—Brian N. Vinson
Attorney, Agent, or Firm—Terry M. Gernstein*

[21] Appl. No.: **1,703**

[57] **CLAIM**

[22] Filed: **Nov. 20, 1992**

The ornamental design for a caddy for a shower or bath tub, as shown and described.

[52] U.S. Cl. **D6/525**

[58] Field of Search **D6/524-527, D6/528, 532; D23/223, 271, 304; 206/77.1; 211/10, 13, 49.1, 71, 86-88; 221/33, 45, 282-286; 222/173, 181**

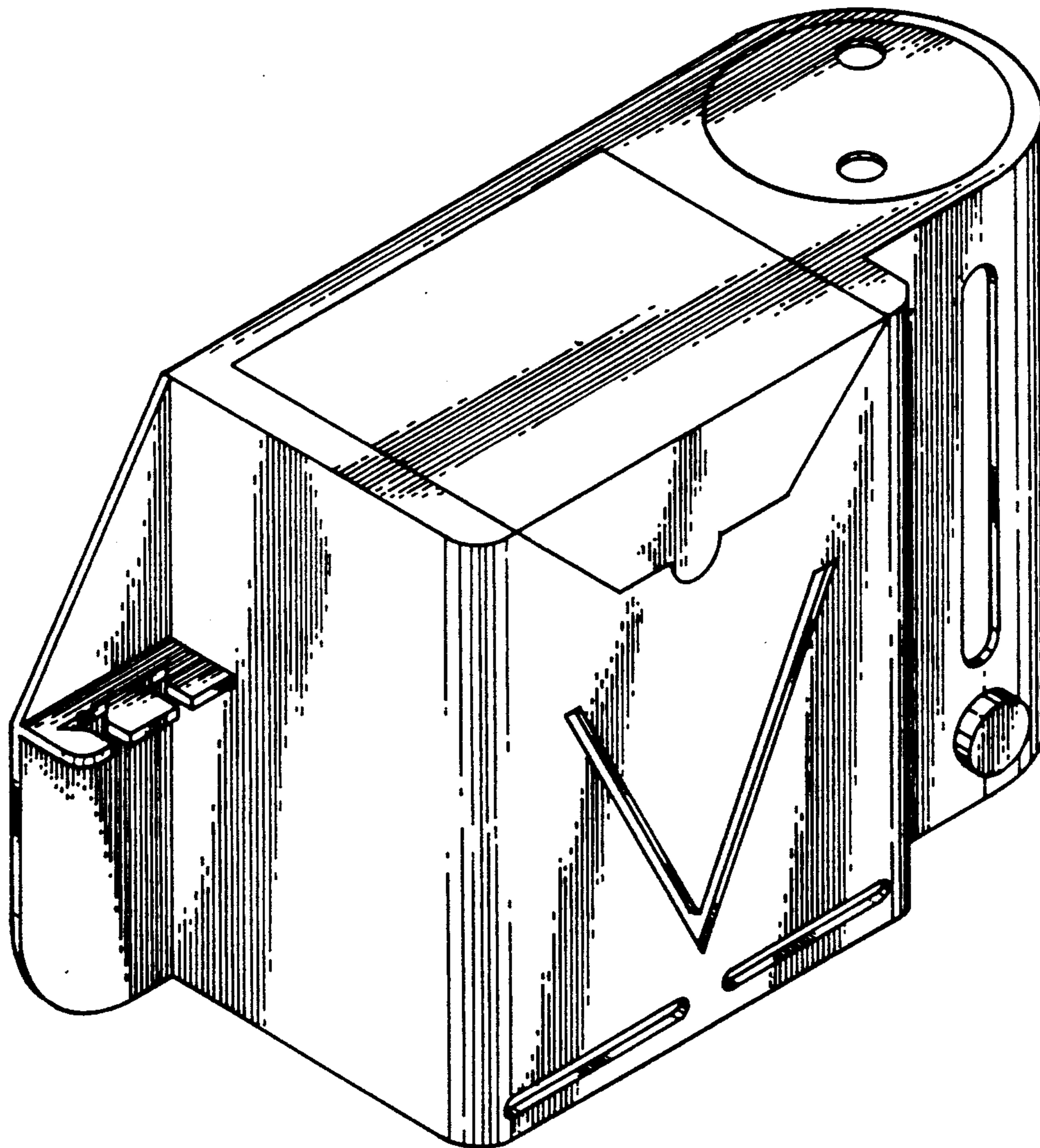
DESCRIPTION

[56] **References Cited**

U.S. PATENT DOCUMENTS

D. 286,599	11/1986	Sussman .	
D. 292,256	10/1987	Chap .	
D. 305,589	1/1990	Timmons D6/524
D. 309,225	7/1990	Scarbro .	

FIG. 1 is a top, front, and left side perspective view of a caddy for a shower or bath tub showing my new design;
FIG. 2 is a front elevational view thereof;
FIG. 3 is a rear elevational view thereof;
FIG. 4 is a side elevational view thereof;
FIG. 5 is a side elevational view thereof;
FIG. 6 is a top plan view thereof; and,
FIG. 7 is a bottom plan view thereof.



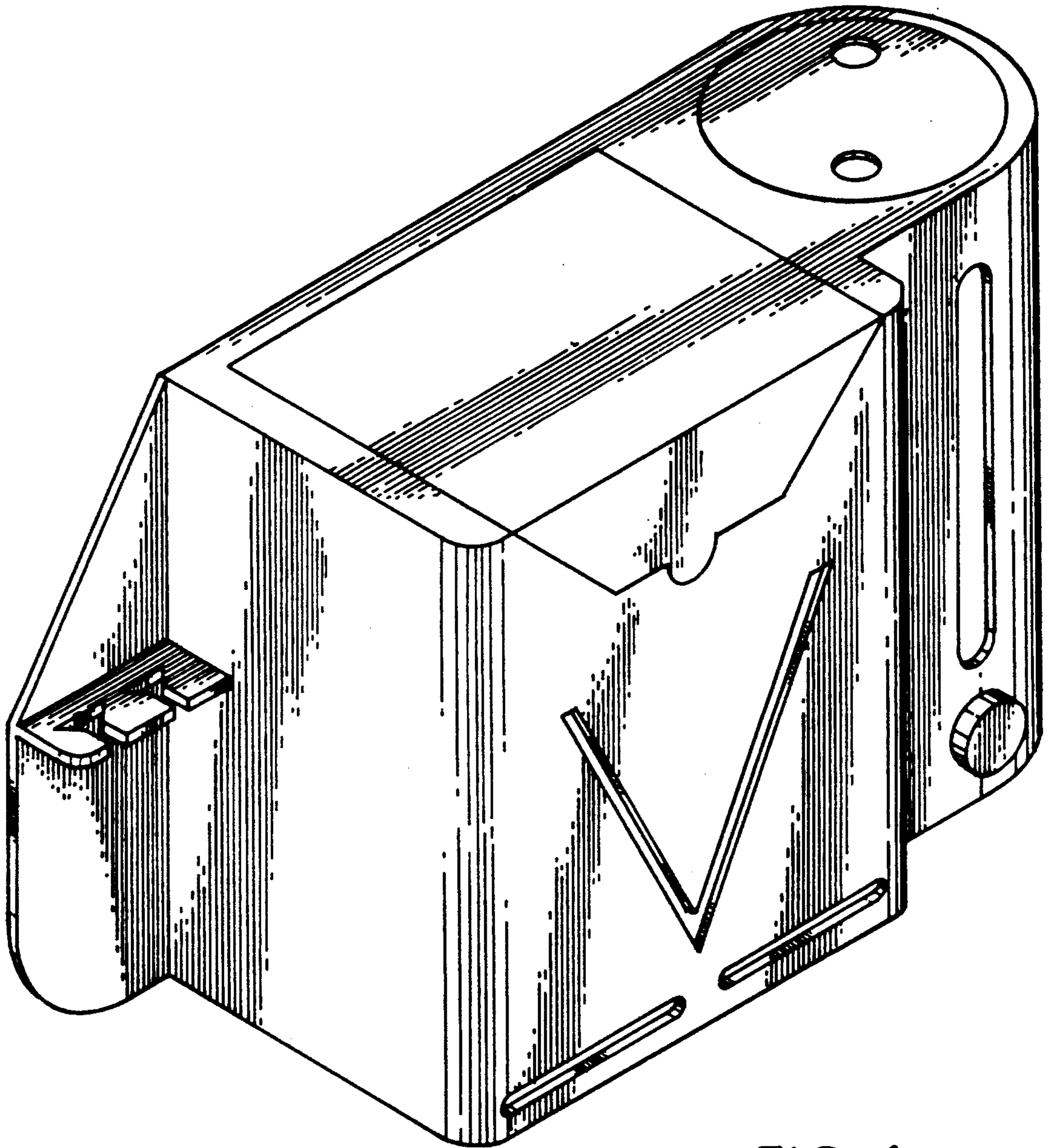


FIG. 1

FIG. 2

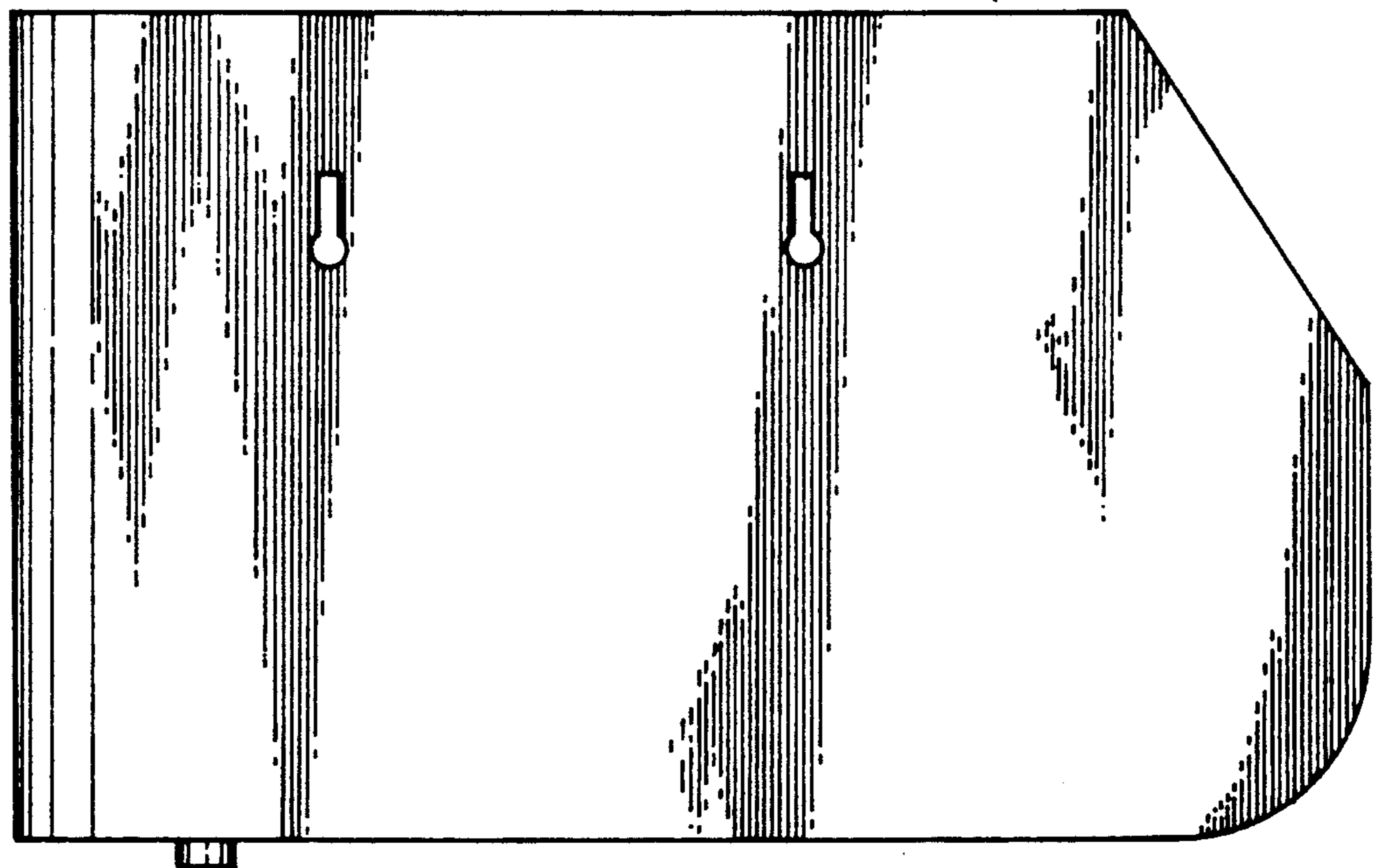
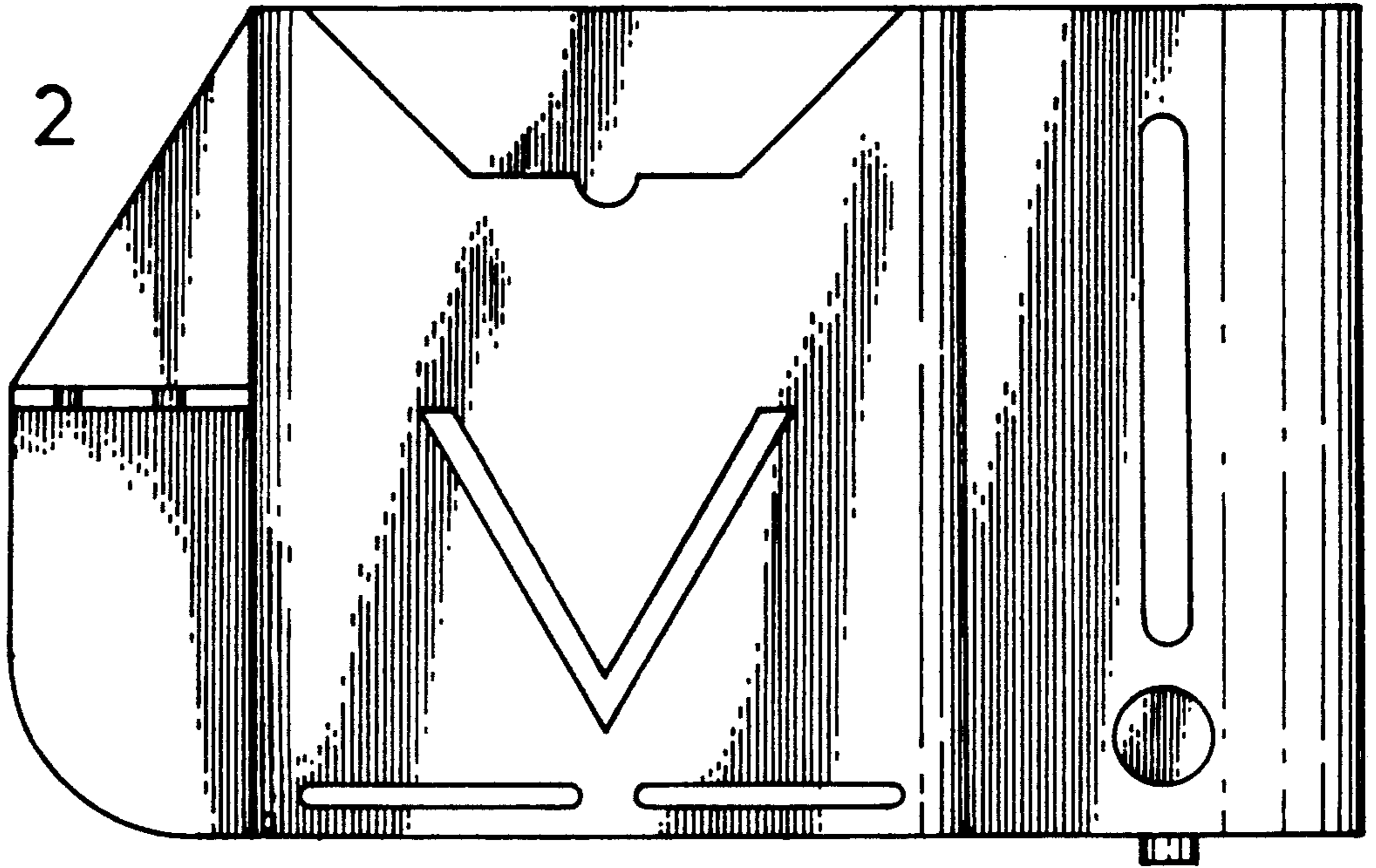


FIG. 3

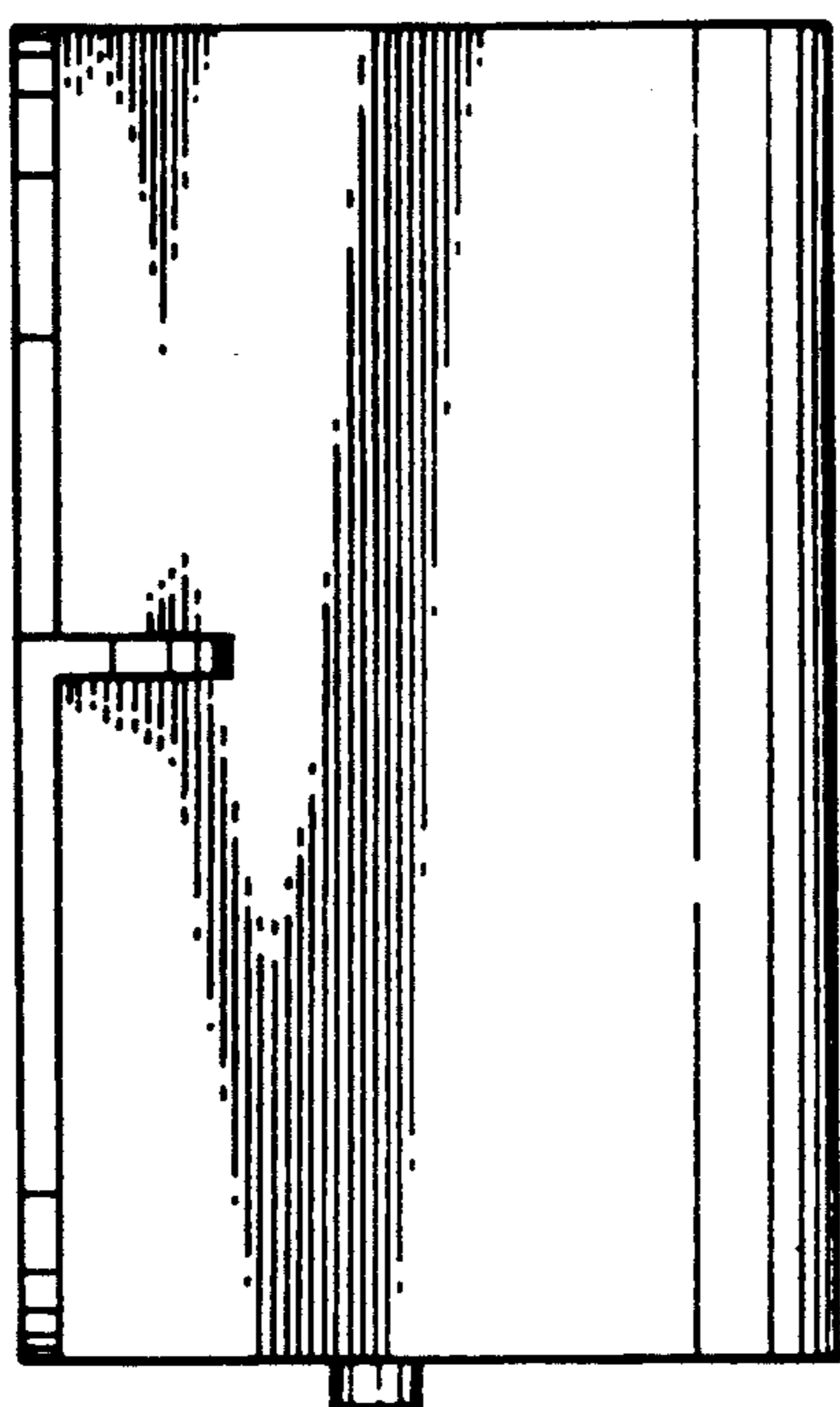


FIG. 4

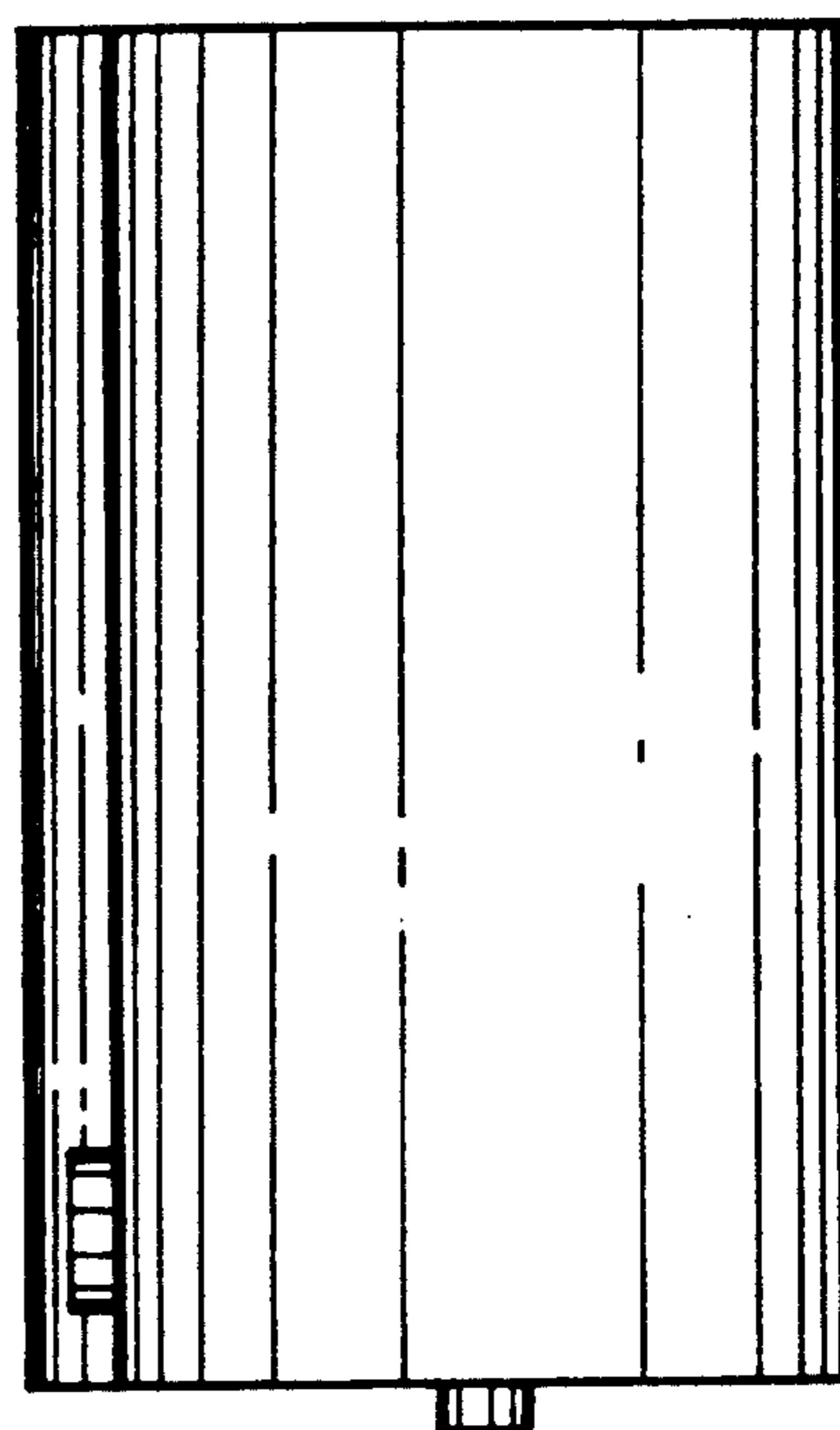


FIG. 5

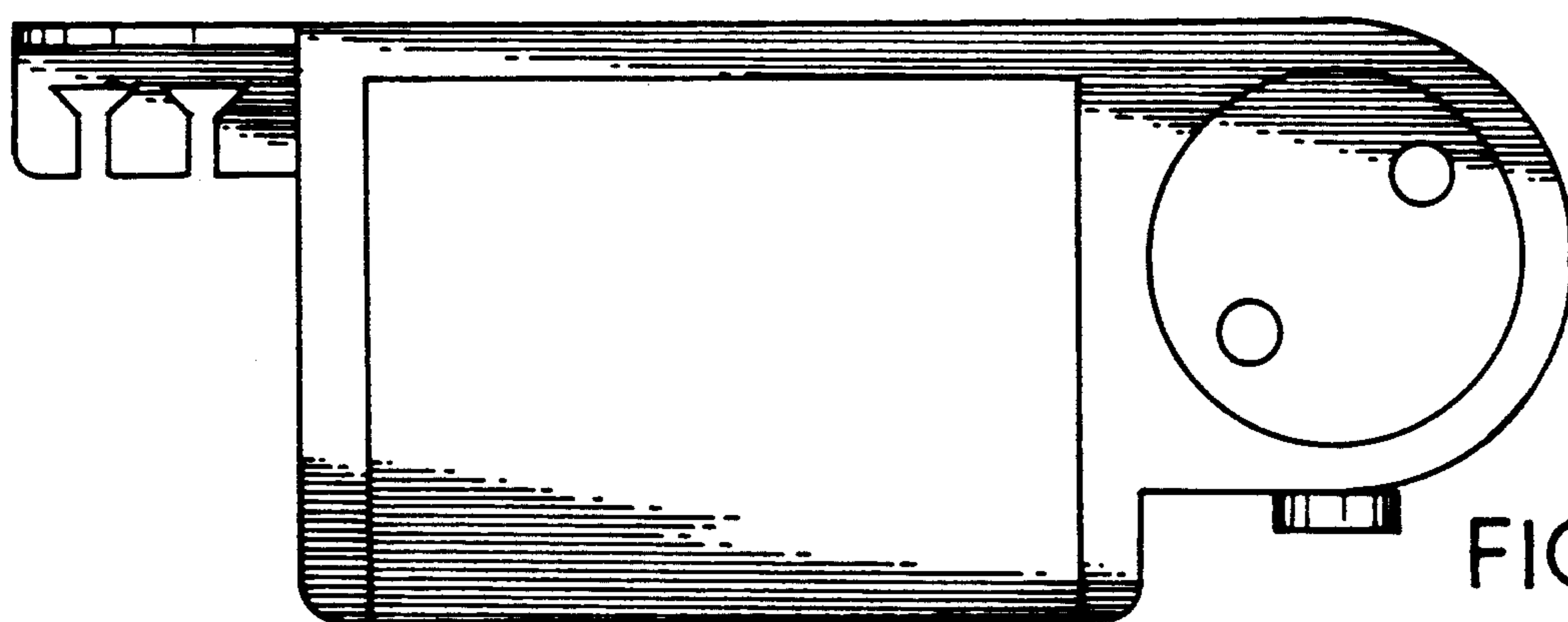


FIG. 6

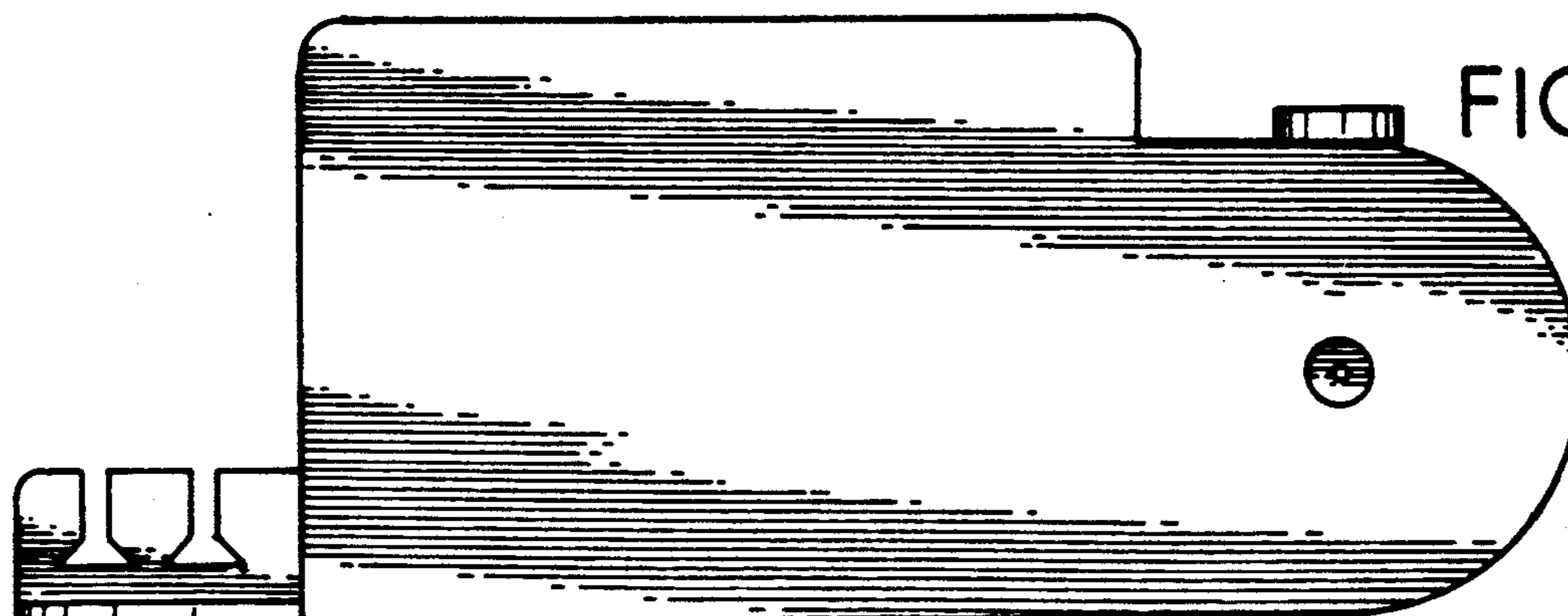


FIG. 7