



US00D341279S

United States Patent [19]

[11] Patent Number: **Des. 341,279**

Goetz

[45] Date of Patent: **** Nov. 16, 1993**

[54] TABLE

D. 335,980 6/1993 Grosfilley D6/349 X
4,813,742 3/1989 Cardinael D6/349 X

[75] Inventor: **Charles R. Goetz, Carnegie, Pa.**

Primary Examiner—Nelson C. Holtje

[73] Assignee: **Alco Industries Inc., Valley Forge, Pa.**

Assistant Examiner—J. E. Seeger

Attorney, Agent, or Firm—William J. Ruano

[**] Term: **14 Years**

[57] **CLAIM**

[21] Appl. No.: **816,045**

The ornamental design for a table, as shown and described.

[22] Filed: **Jan. 2, 1992**

[52] U.S. Cl. **D6/484; D6/349**

[58] Field of Search **D6/480, 482-489,
D6/495, 496, 498, 499, 511, 429-431, 349;
108/152, 153, 161**

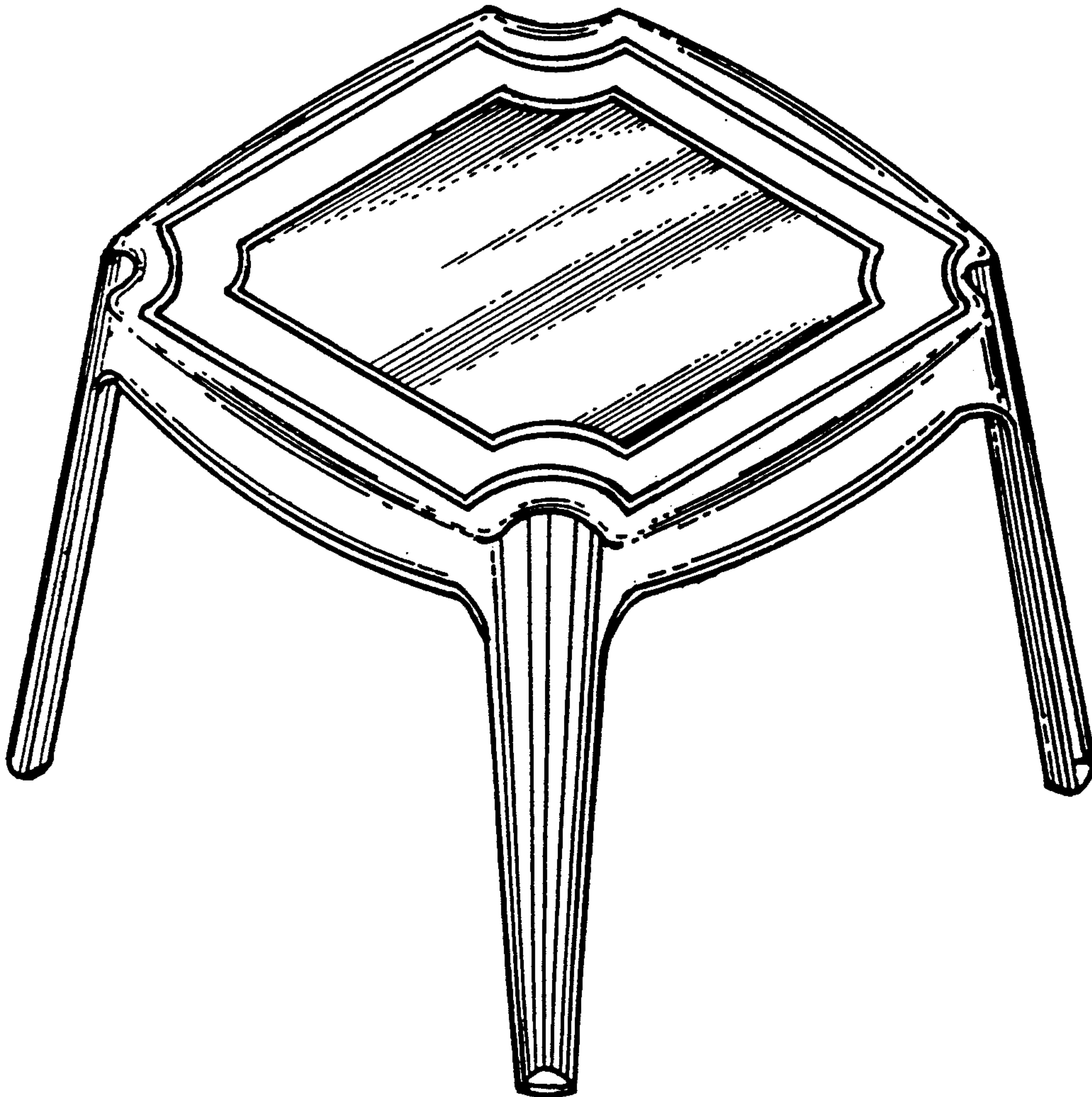
DESCRIPTION

FIG. 1 is a top view showing my new table design;
FIG. 2 is a side view thereof which is the same on the
there remaining sides;
FIG. 3 is a bottom view thereof;
FIG. 4 is a top view of a table, showing a second em-
bodiment of my new design;
FIG. 5 is a vertical cross-section taken along line 5-5
of FIG. 1;
FIG. 6 is a vertical cross-section taken along line 6-6
of FIG. 4;
FIG. 7 is a perspective view of the table shown in
FIGS. 1 and 2.

[56] References Cited

U.S. PATENT DOCUMENTS

D. 147,613	10/1947	Eames	D6/485
D. 215,858	11/1969	Hamilton	D6/485
D.224,494	8/1972	Kerman	D6/484
D. 283,656	5/1986	Mennes	D6/480
D. 317,839	7/1991	Pino	D6/484
D. 335,053	4/1993	Morin	D6/484



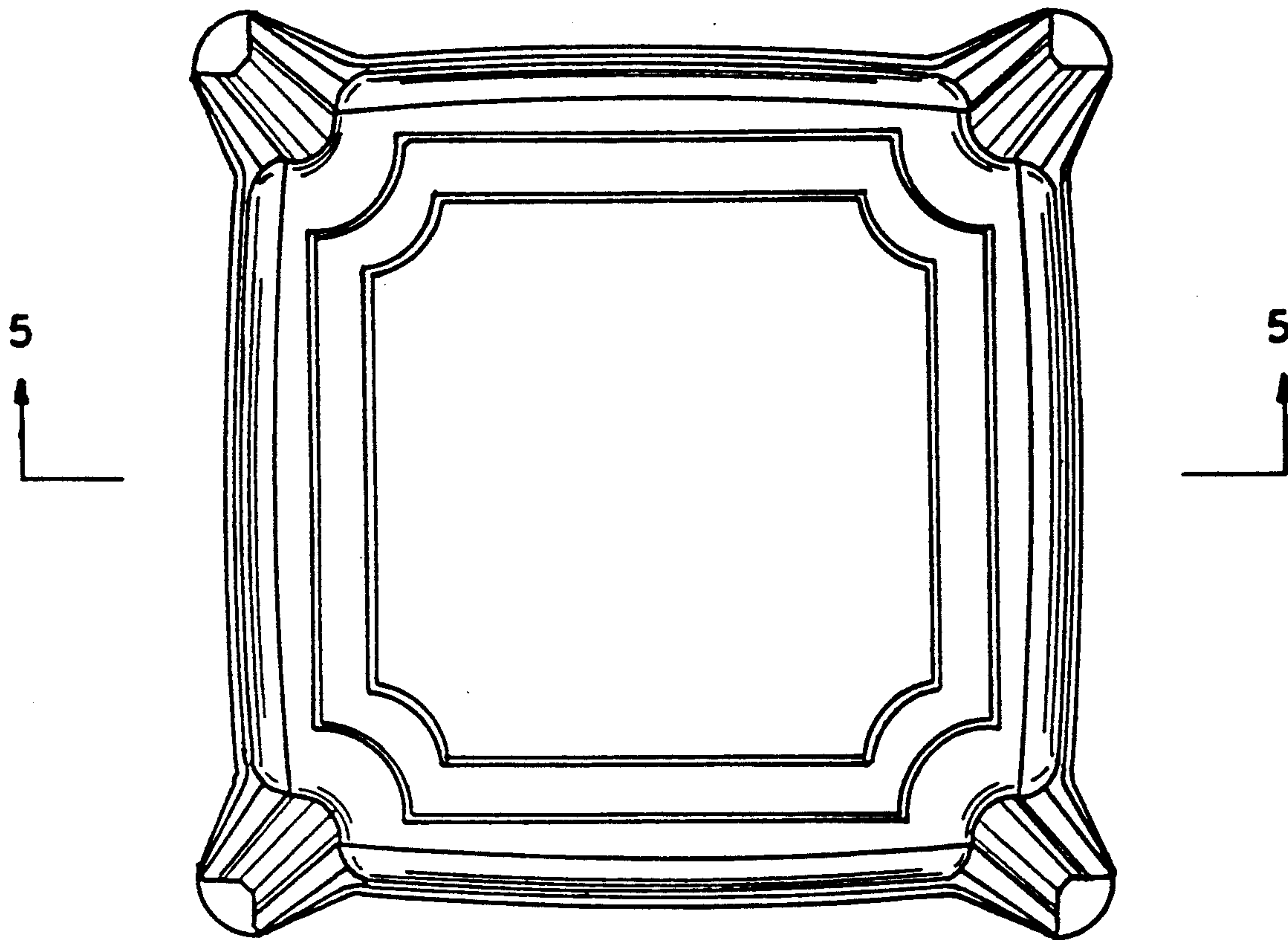


FIG. 1

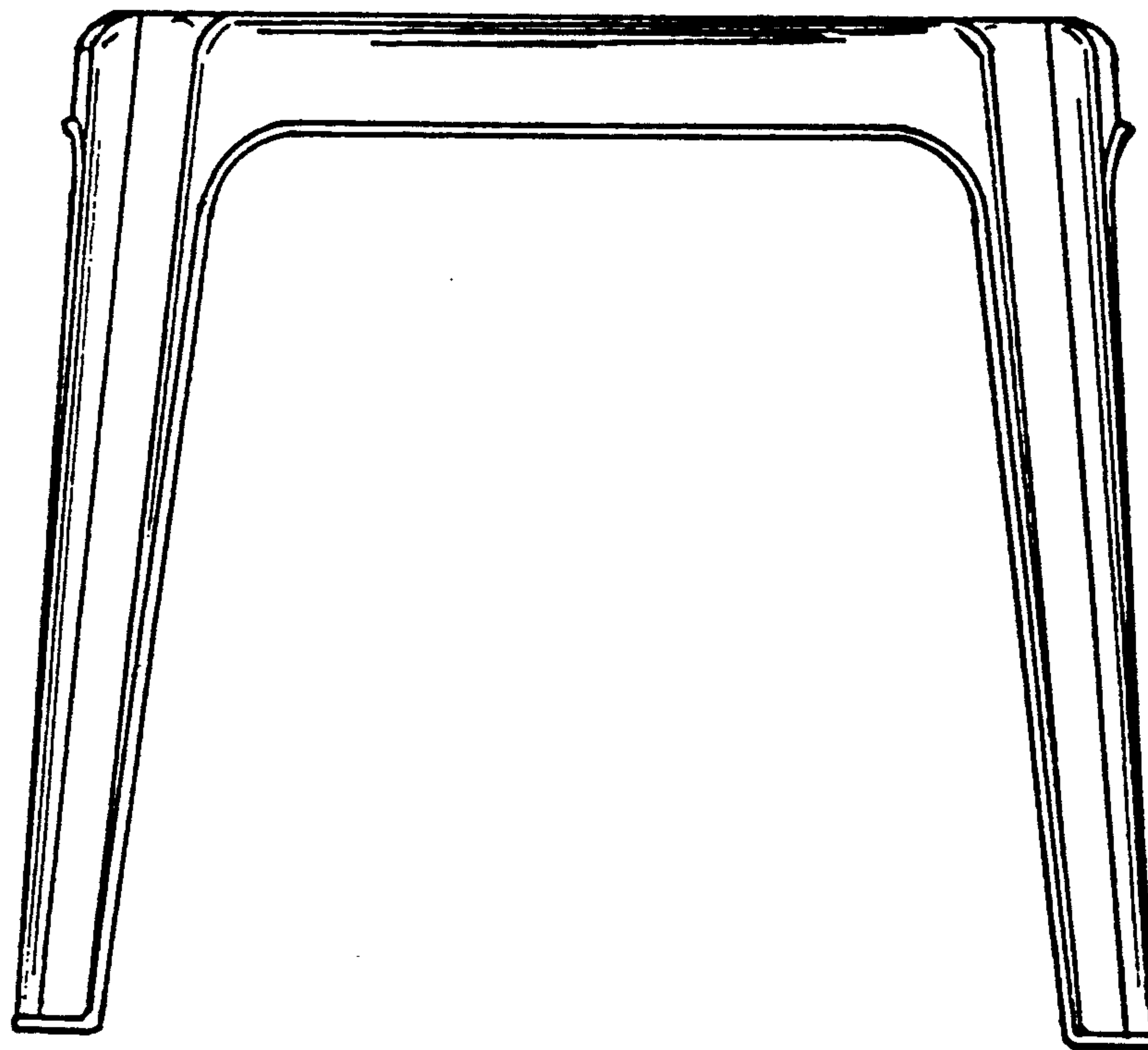


FIG. 2

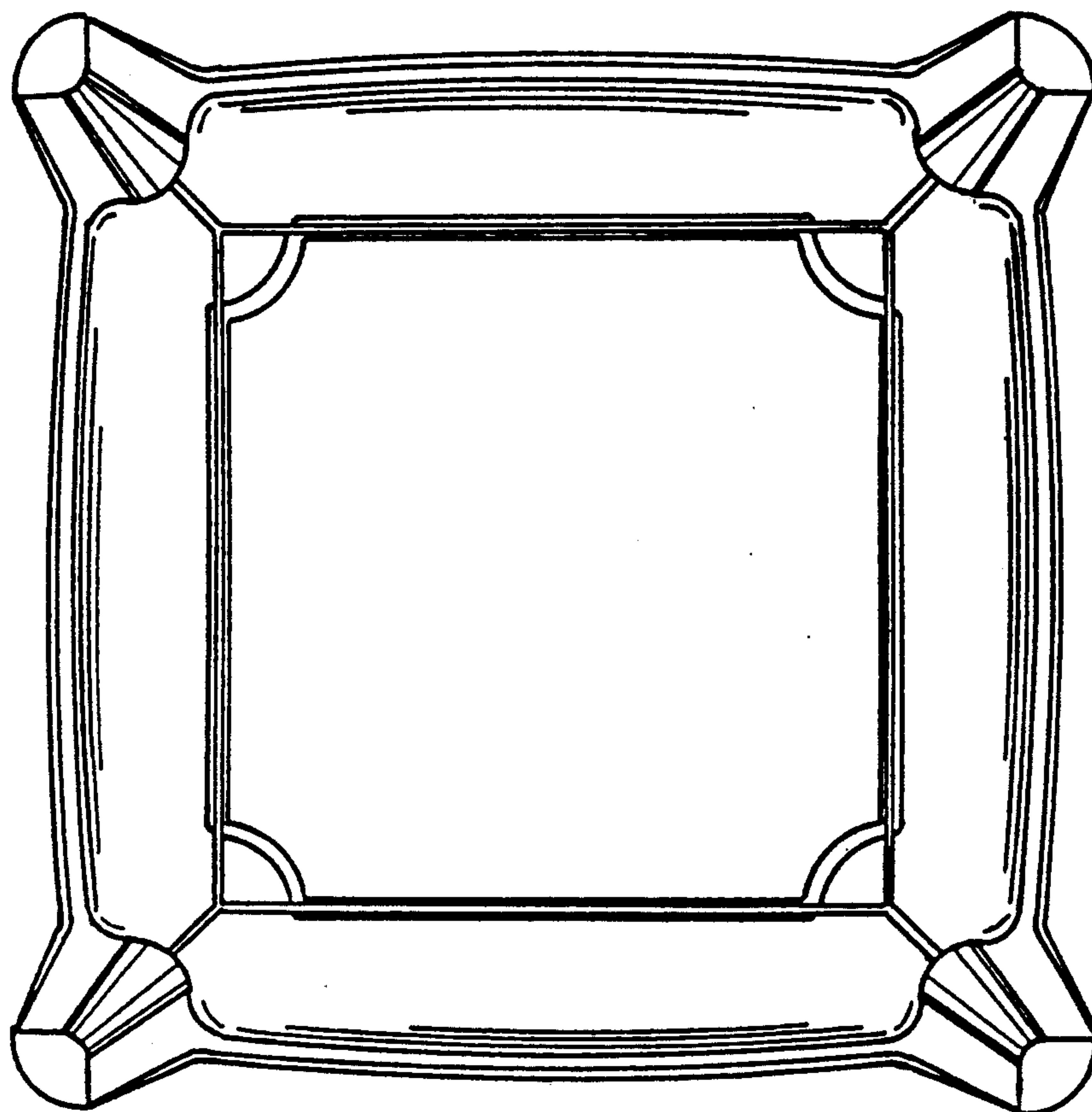


FIG. 3

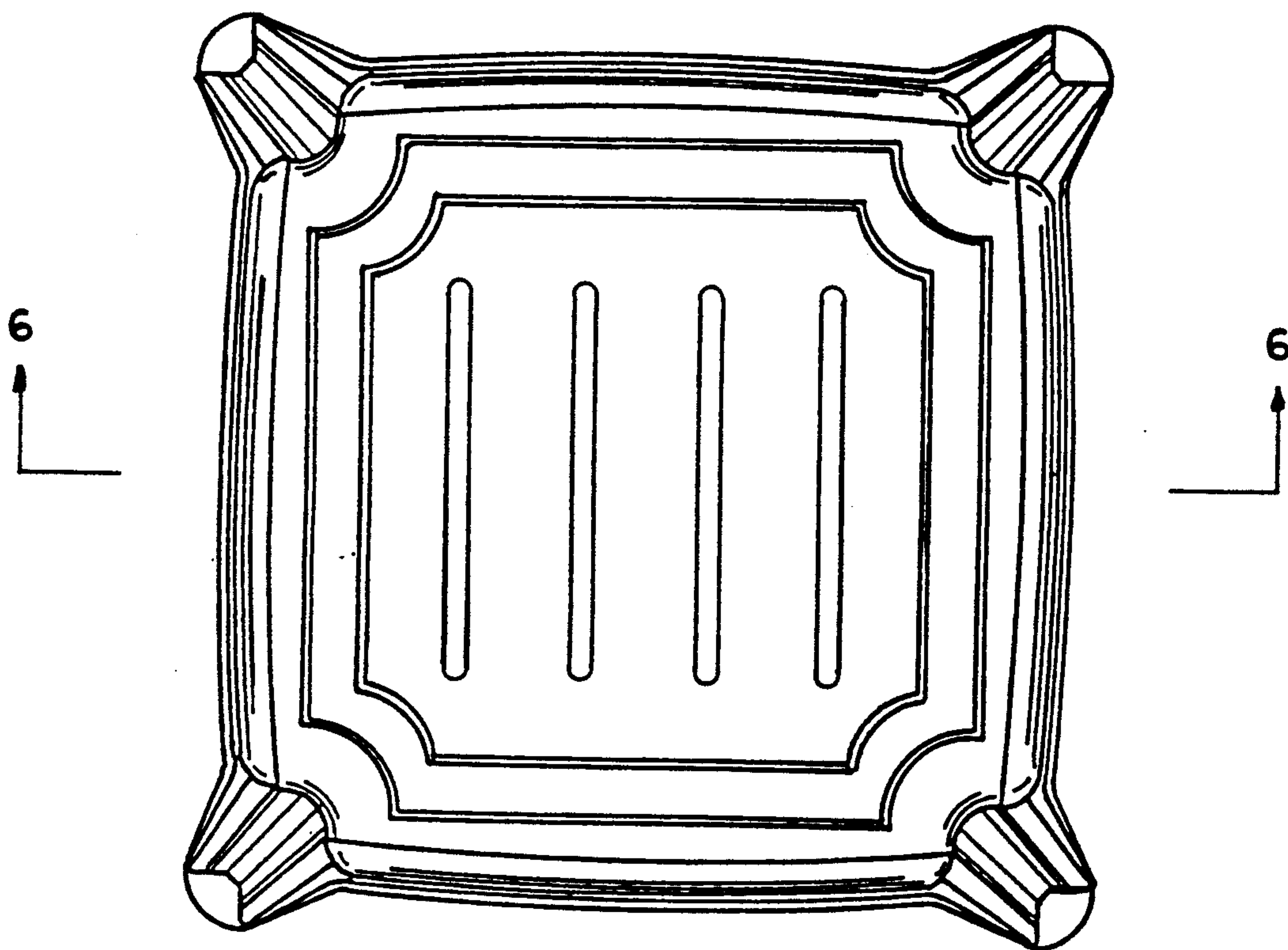


FIG. 4

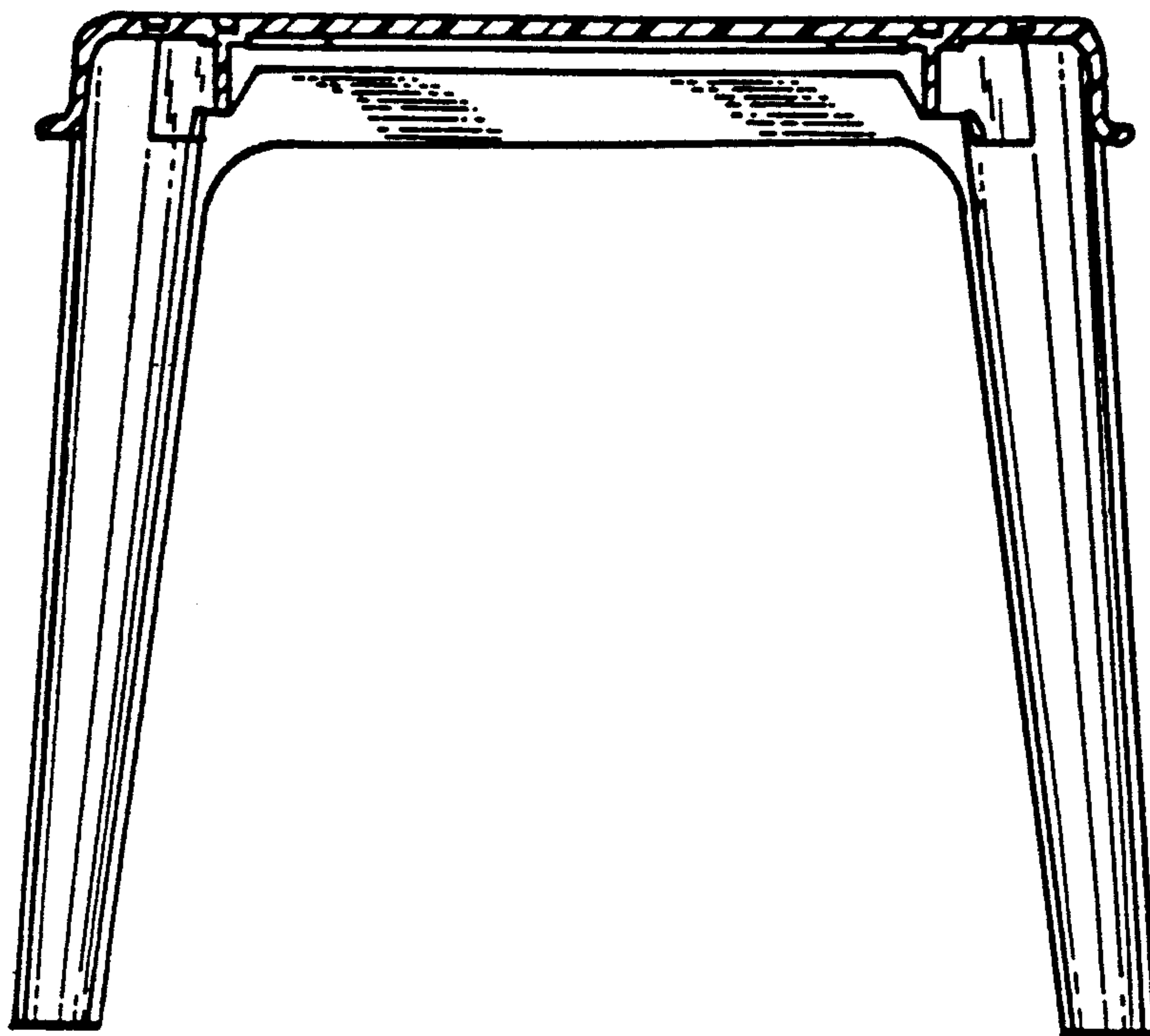


FIG. 5

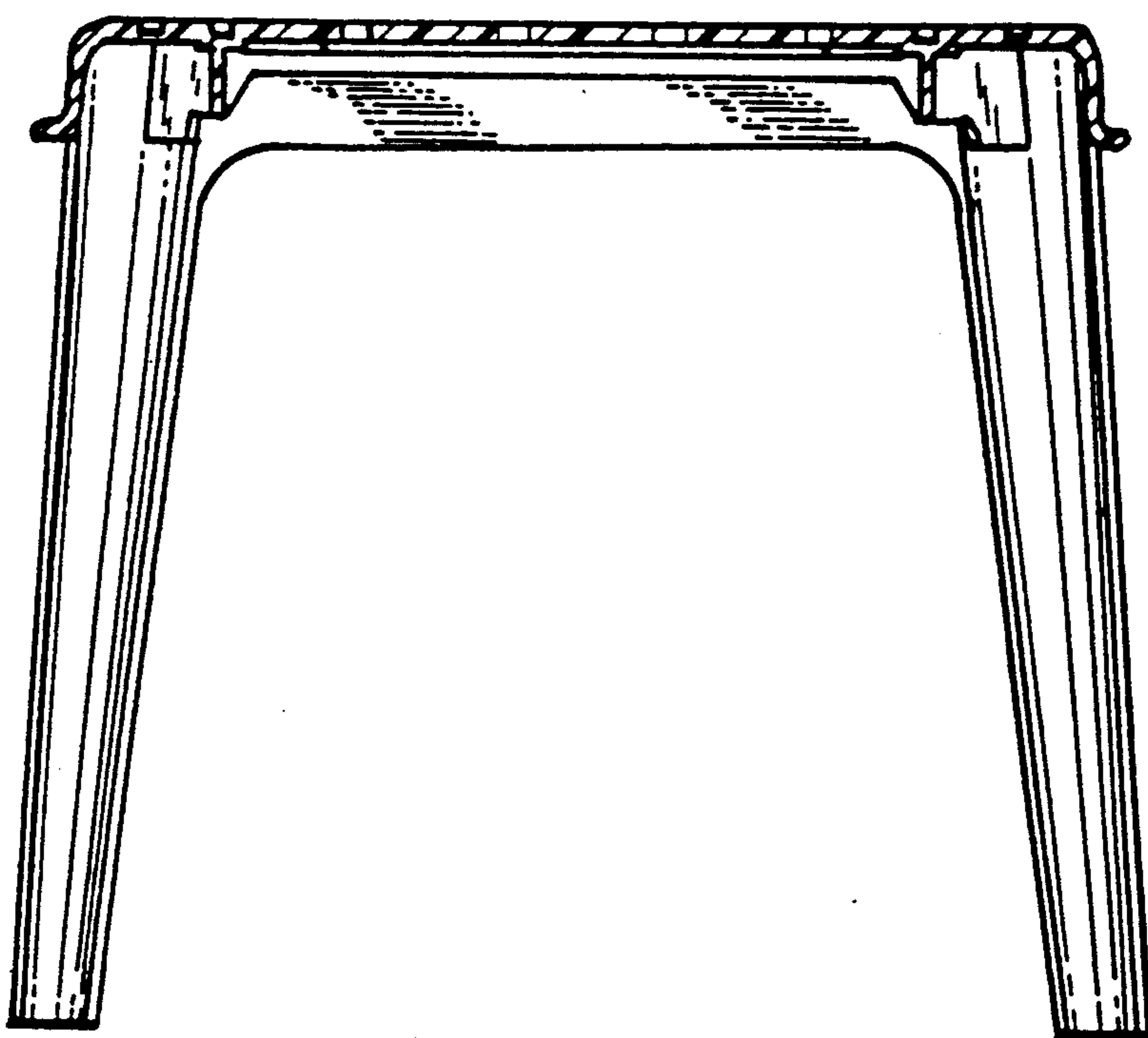


FIG. 6

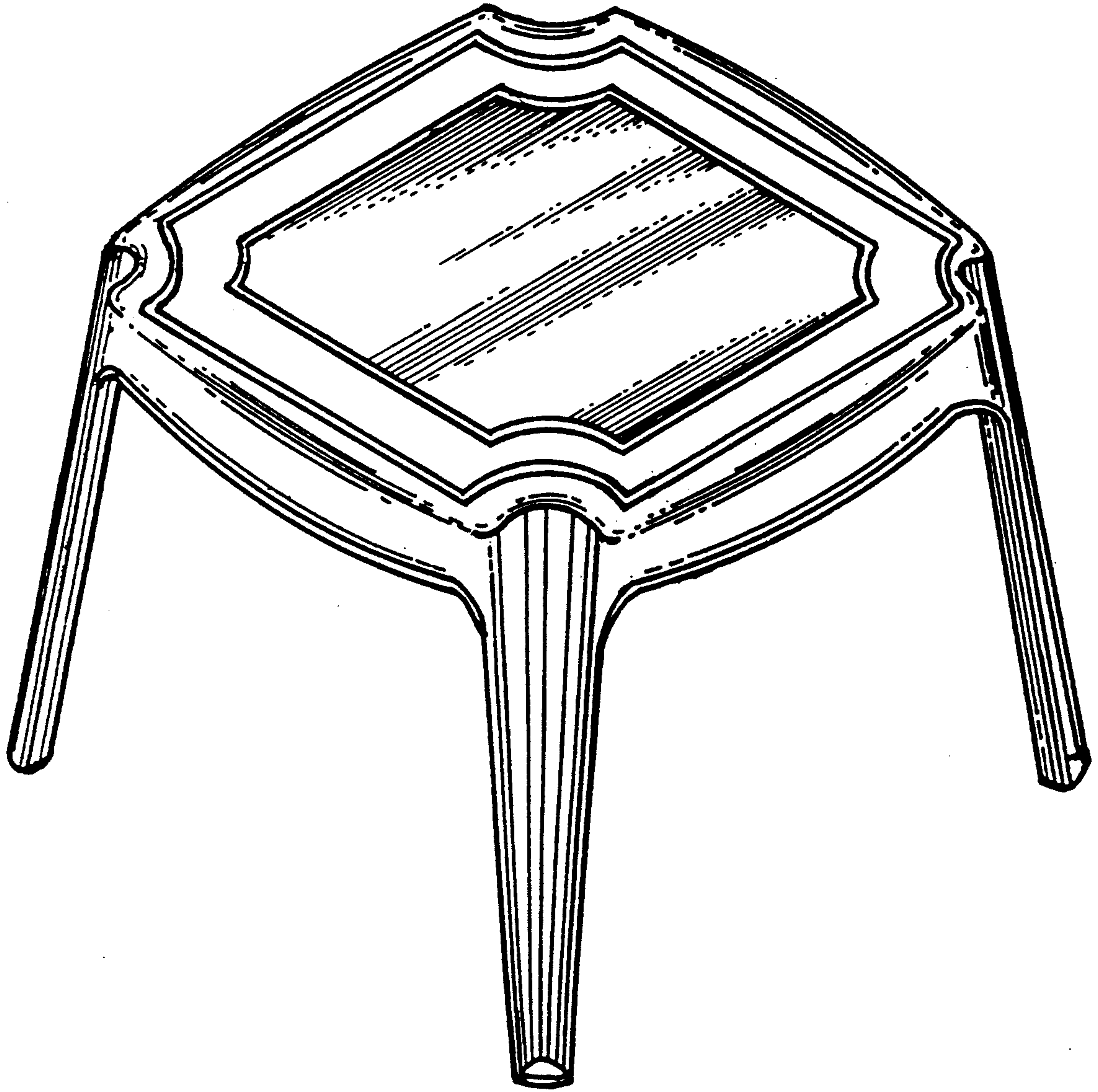


FIG. 7