



US00D341278S

United States Patent [19]

Peterson

[11] Patent Number: **Des. 341,278**

[45] Date of Patent: **** Nov. 16, 1993**

[54] **TABLE**

- [75] Inventor: **Randy Peterson**, Winona, Minn.
- [73] Assignee: **Ashley Furniture Industries, Inc.**,
Arcadia, Wis.
- [**] Term: **14 Years**
- [21] Appl. No.: **723,626**
- [22] Filed: **Jul. 1, 1991**
- [52] U.S. Cl. **D6/480; D6/487;**
D6/511
- [58] Field of Search **D6/480, 482-489,**
D6/495, 496, 498, 499, 511, 429-431; 108/152,
153, 161

OTHER PUBLICATIONS

P. 14 of Profiles Collection ©1989 Drexel Heritage Furnishings, Inc.
 Henredon Sales Sheet, ©1990.
Furniture Today -Apr. 10, 1989, p. 135, "Profiles" table at left center.
Schoner Wohnen, Nov. 1988, p. 110, Washington table at bottom.
Schoner Wohnen, Jul. 1988, p. 54, table #3 at bottom.
 Primary Examiner—Alan P. Douglas
 Assistant Examiner—J. E. Seeger
 Attorney, Agent, or Firm—Peterson, Wicks, Nemer & Kamrath

[57] **CLAIM**

The ornamental design for a table, as shown and described.

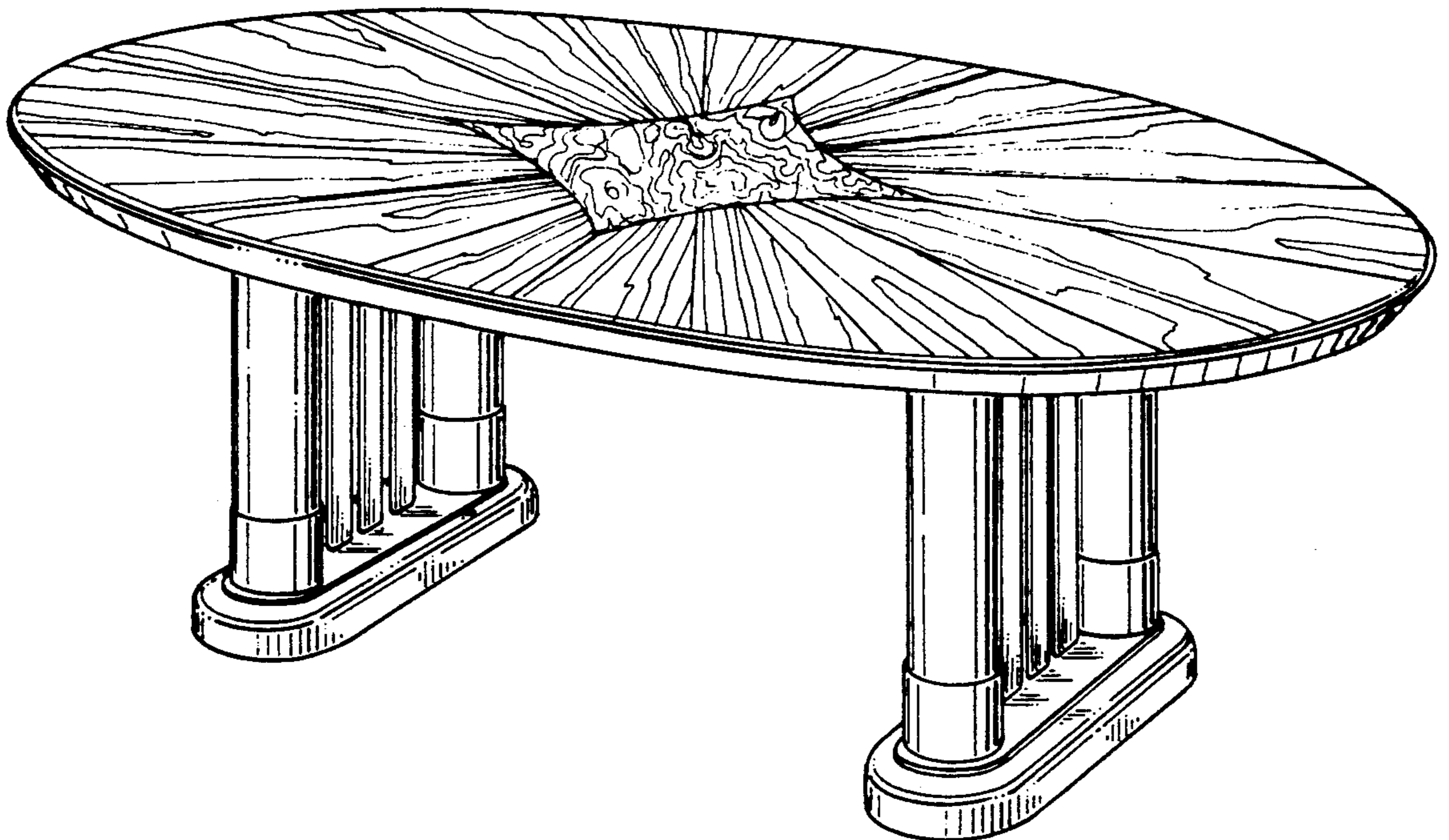
DESCRIPTION

FIG. 1 is a front elevational view of a table embodying my new design, the rear being identical thereto;
 FIG. 2 is a top plan view thereof;
 FIG. 3 is a side elevational view thereof, the opposite being identical thereto;
 FIG. 4 is a perspective view thereof;
 FIG. 5 is a front elevational view of a table embodying an alternate embodiment of my new design, the rear being identical thereto;
 FIG. 6 is a top plan view thereof;
 FIG. 7 is a side elevational view the opposite side being identical thereto; and,
 FIG. 8 is a perspective view thereof;

[56] **References Cited**

U.S. PATENT DOCUMENTS

D. 63,282	11/1923	Cameron .	
D. 72,151	3/1927	Guth	D6/480
D. 137,952	5/1944	Puls et al. .	
D. 170,760	11/1953	Luger	D6/430
D. 201,086	5/1965	Covington	D6/511
D. 252,844	9/1979	Keller .	
D. 260,954	9/1981	Long .	
D. 268,800	5/1983	Long .	
D. 275,353	9/1984	Dunbar .	
D. 288,642	3/1987	DeLuca .	
D. 290,796	7/1987	Becker .	
D. 297,989	10/1988	DeLuca .	
D. 323,086	1/1992	Arcese et al.	D6/480



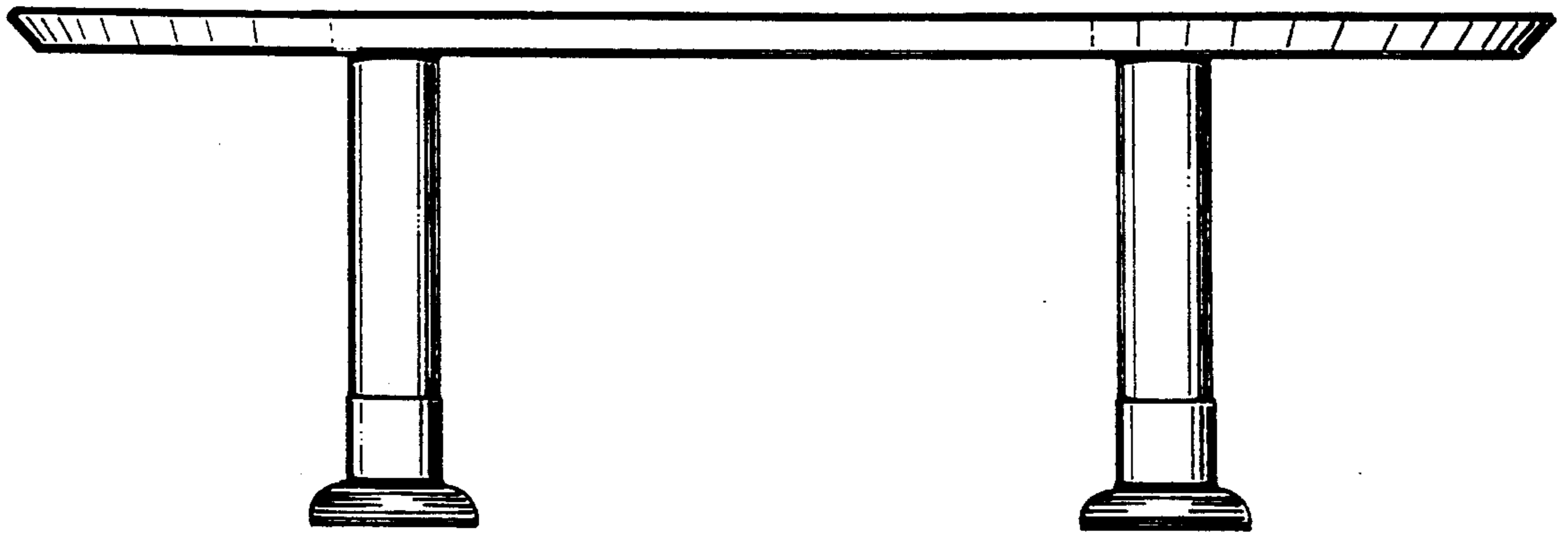


Fig. 1

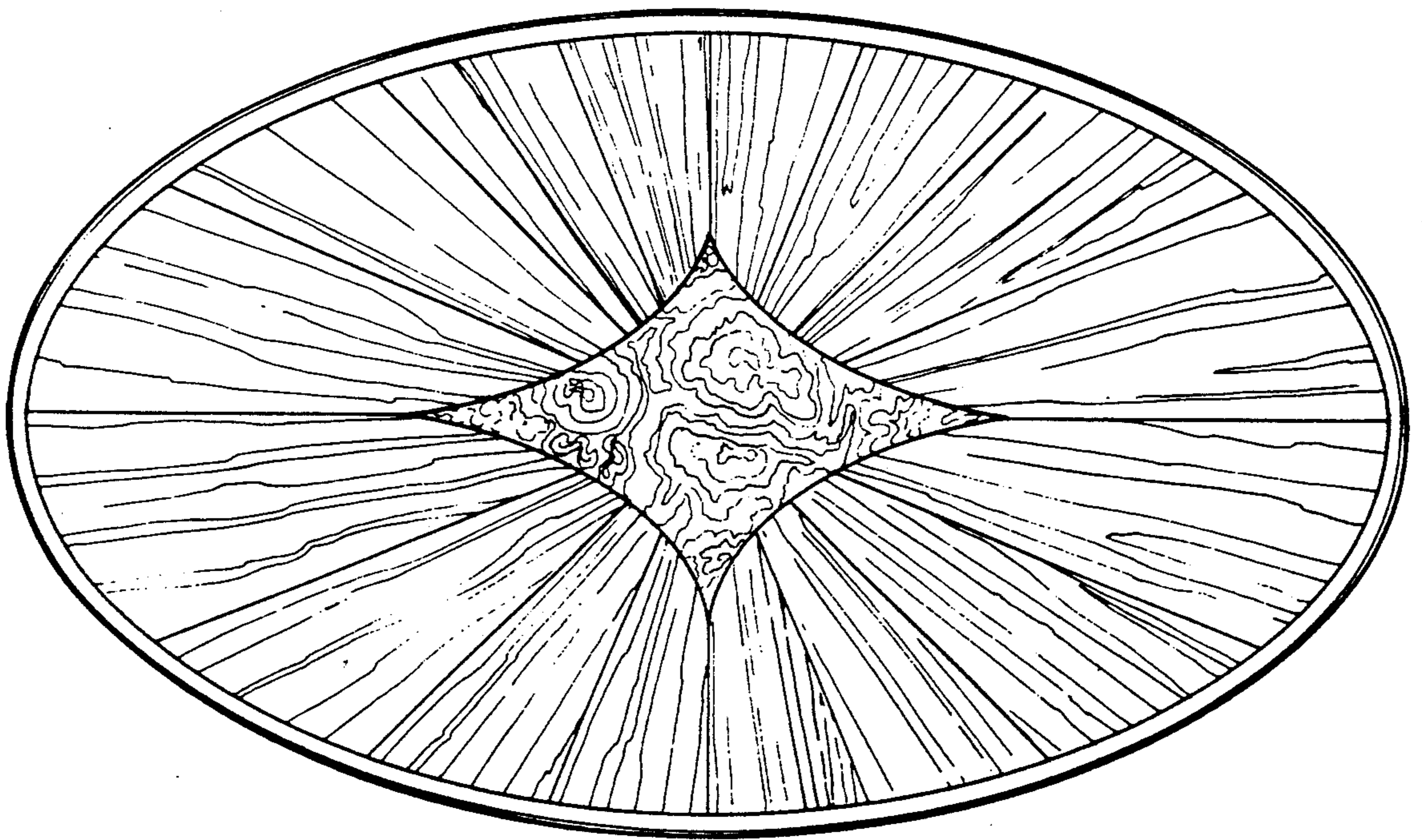


Fig. 2

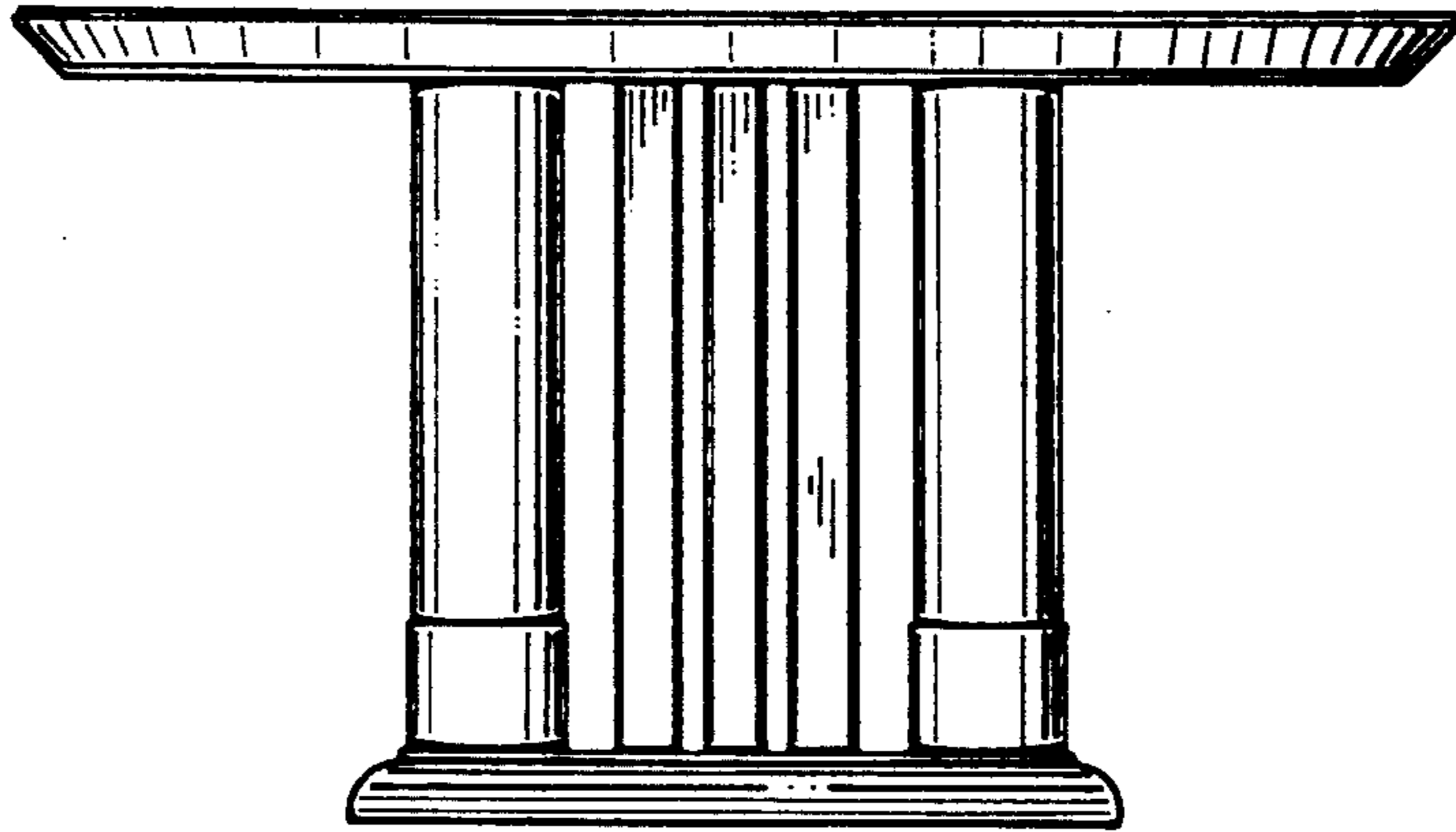


Fig. 3

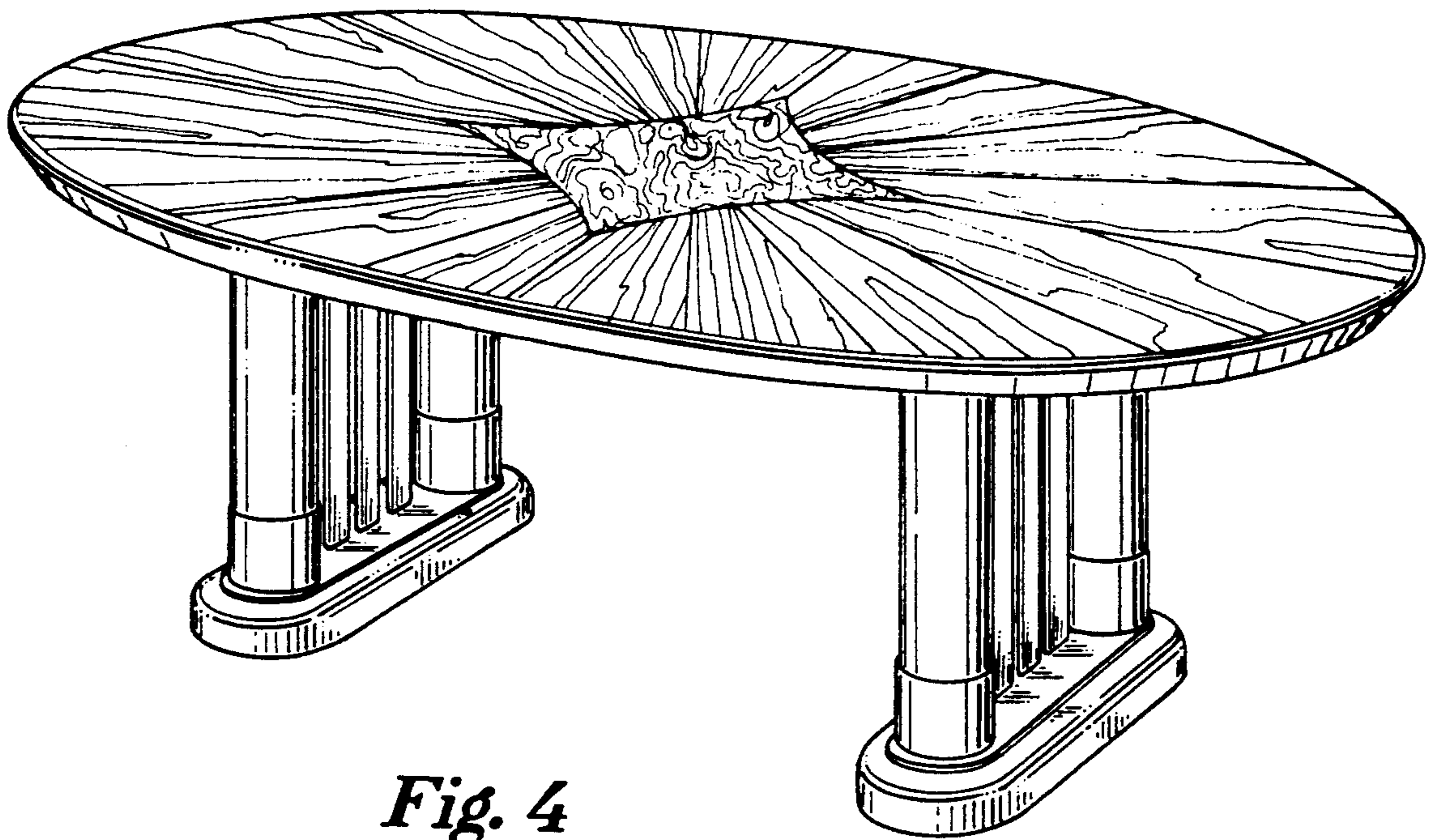


Fig. 4

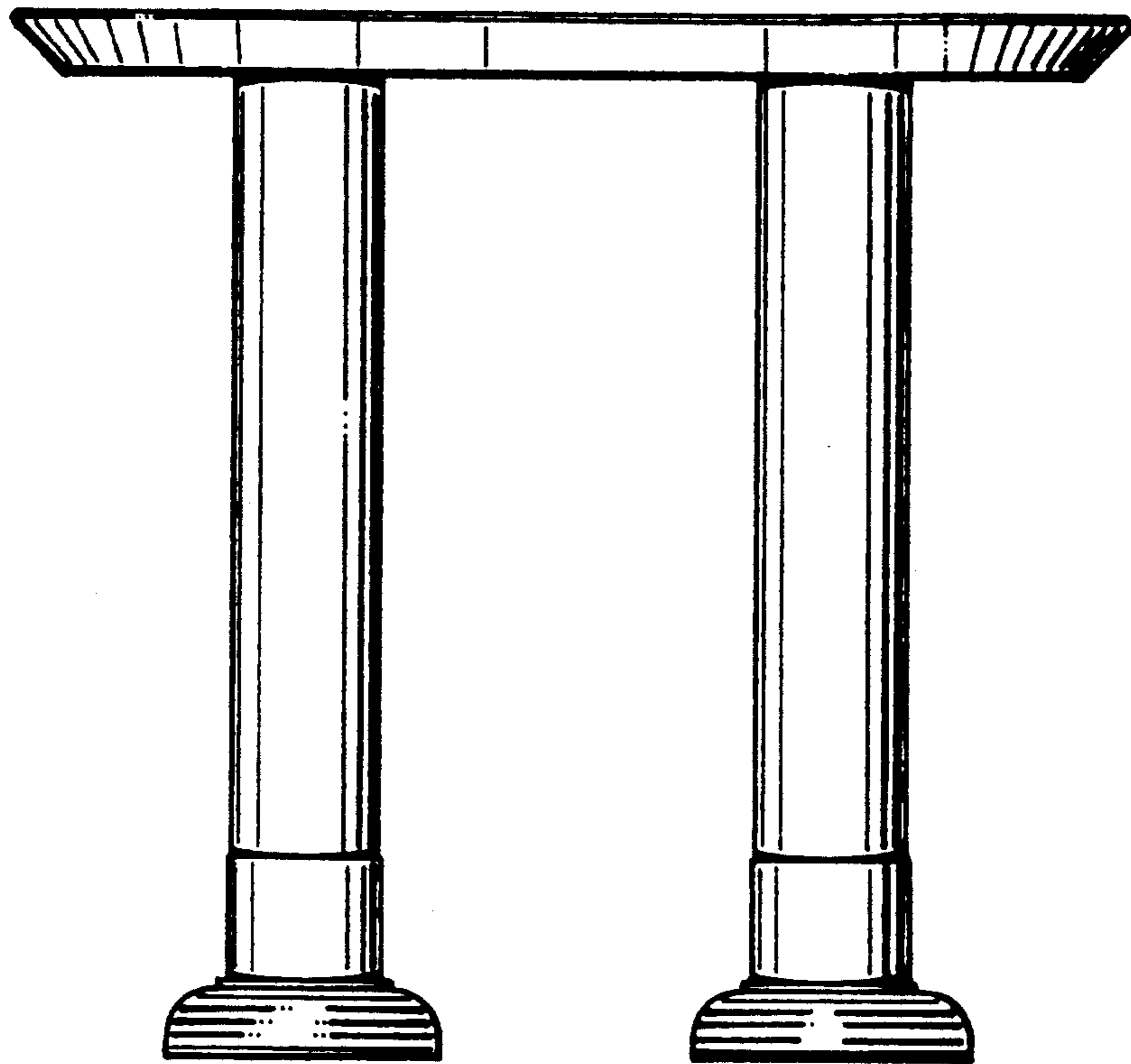


Fig. 5

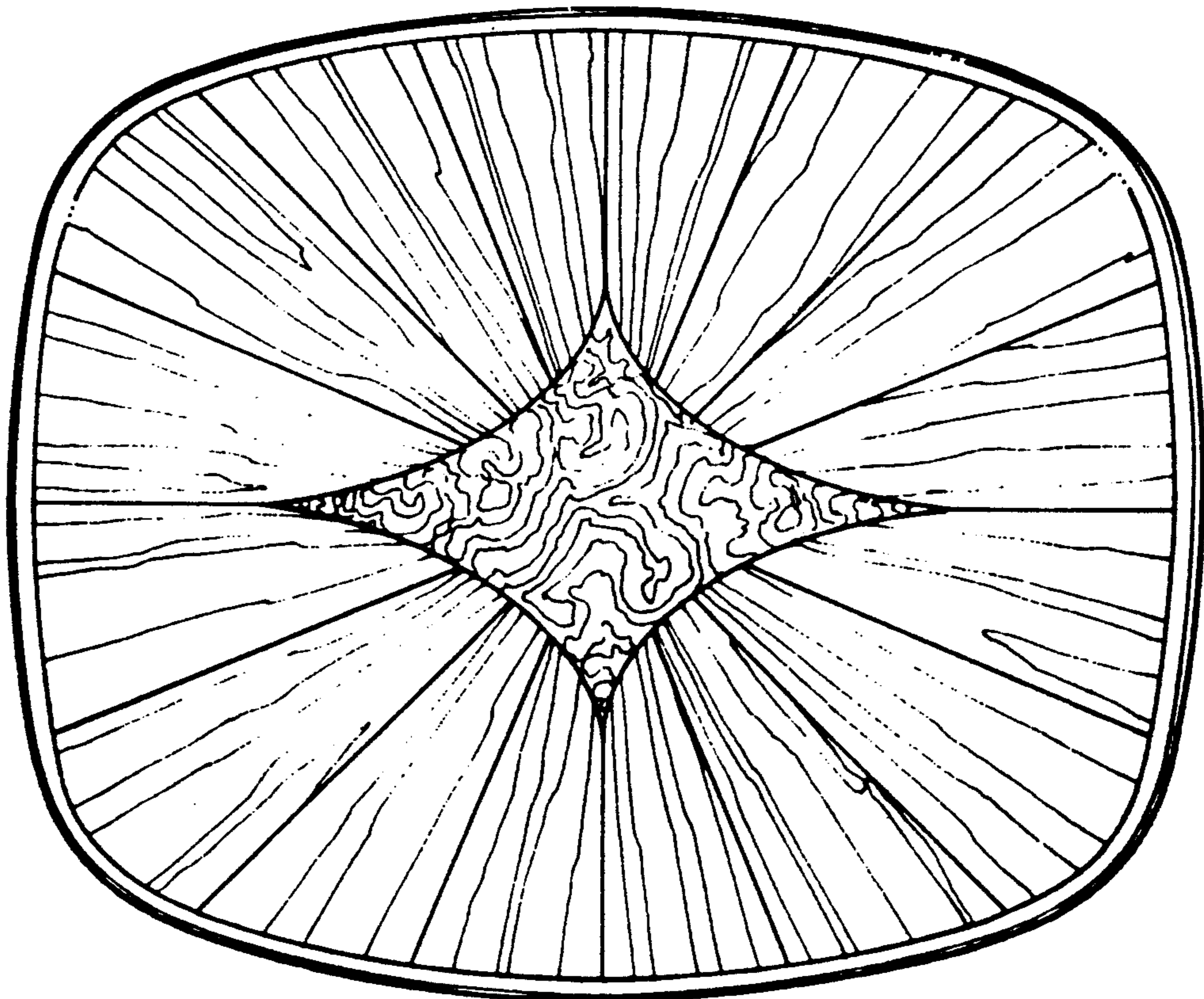


Fig. 6

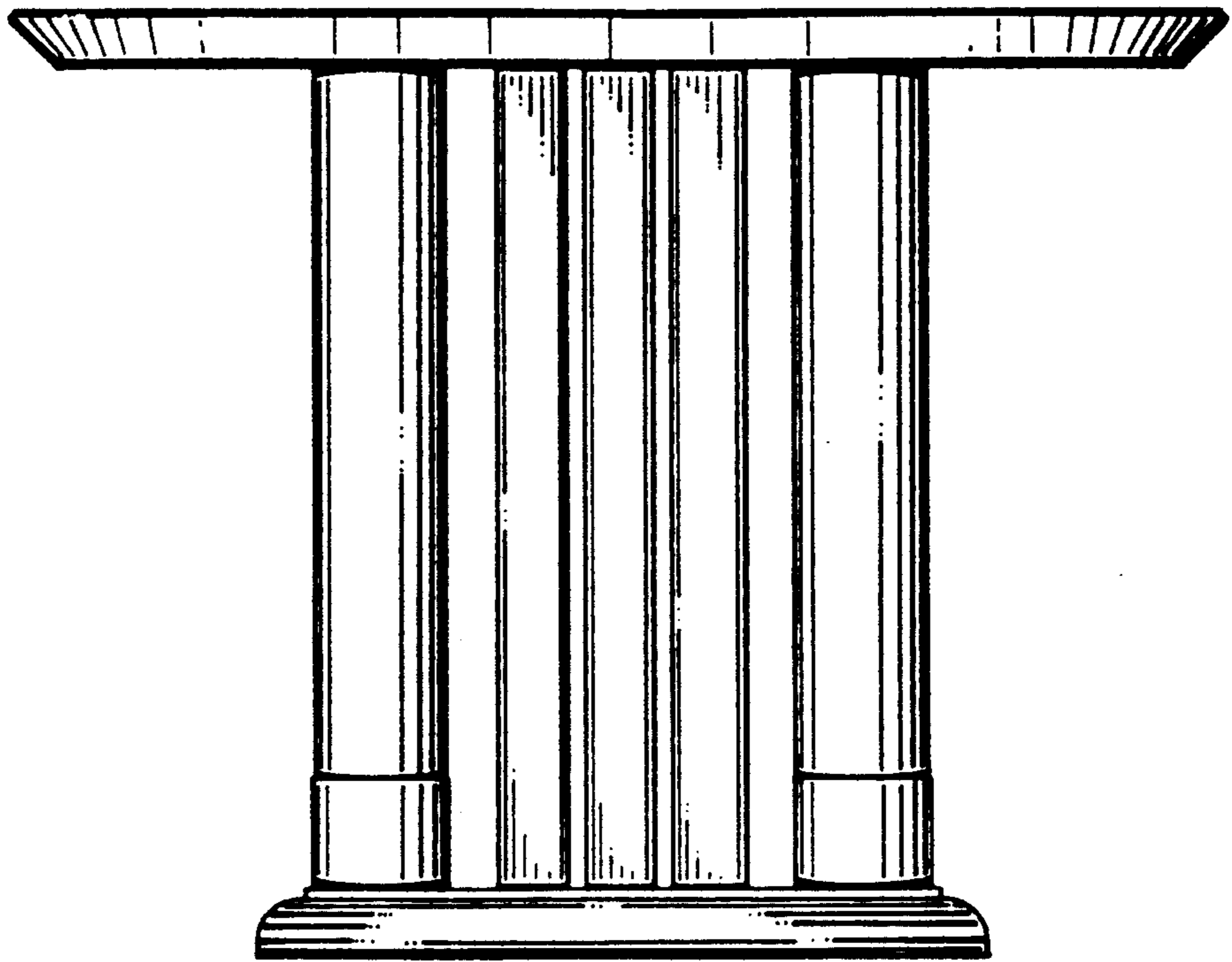


Fig. 7

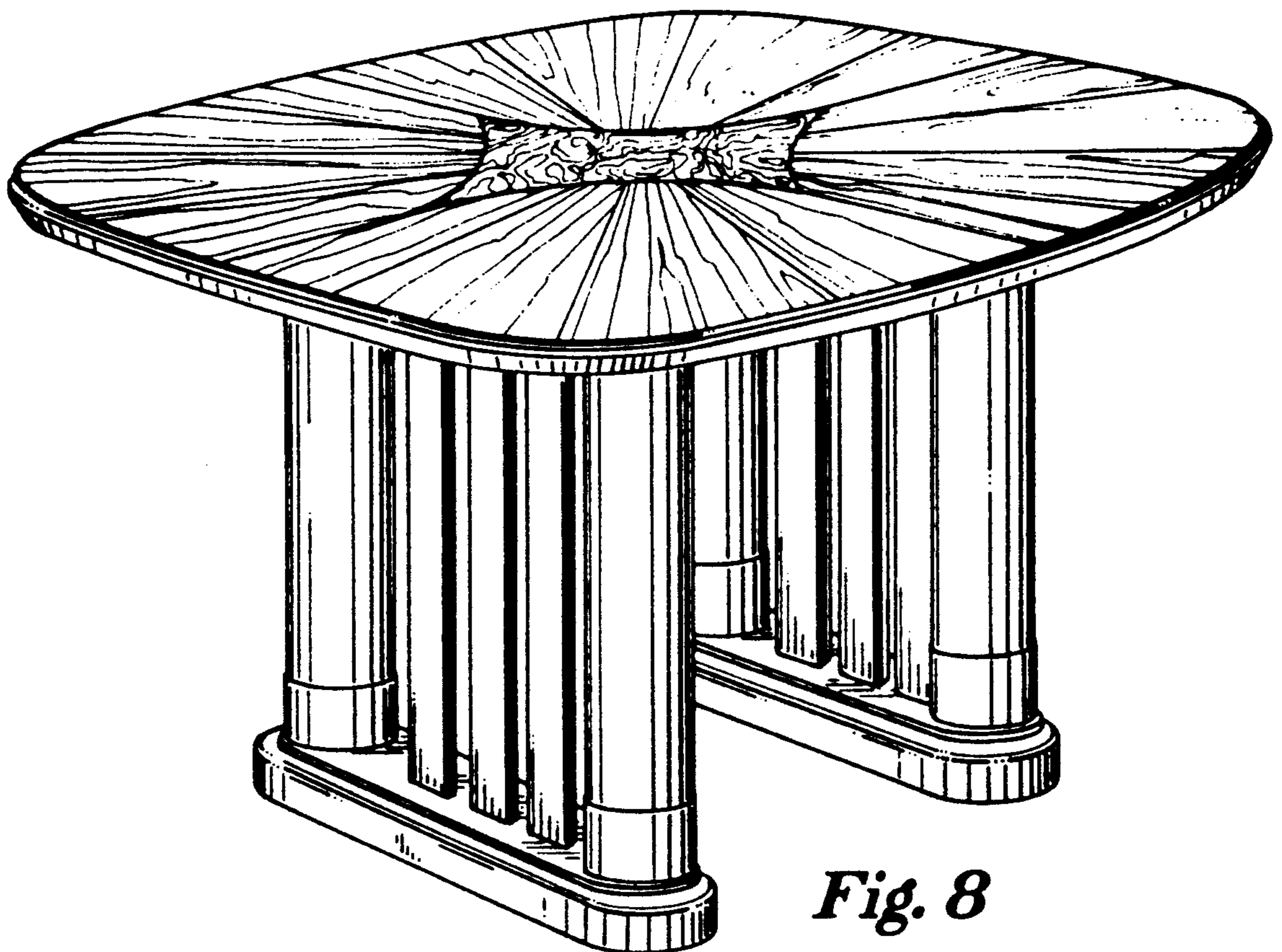


Fig. 8