



US00D341271S

# United States Patent [19]

[11] Patent Number: **Des. 341,271**

Pesso

[45] Date of Patent: **\*\* Nov. 16, 1993**

[54] **CARREL**

[75] Inventor: **David A. Pesso, Hartford, Conn.**

[73] Assignee: **The Worden Company, Holland, Mich.**

[\*\*] Term: **14 Years**

[21] Appl. No.: **802,469**

[22] Filed: **Dec. 5, 1991**

[52] U.S. Cl. .... **D6/421**

[58] Field of Search ..... **D6/421-428;**  
312/194, 195, 196; 108/59, 60, 92

[56] **References Cited**

**U.S. PATENT DOCUMENTS**

D. 215,309	9/1969	Barnes .....	D6/421
D. 216,025	11/1969	Gianfagna .....	D6/421
D. 216,991	3/1970	Gianfagna .....	D6/421
D. 217,088	4/1970	Gianfagna et al. ....	D6/421
D. 233,970	12/1974	Hodges .....	D6/421
D. 252,635	8/1979	Richgels .....	D6/421 X
D. 257,417	10/1980	Lerner et al. ....	D6/421

**OTHER PUBLICATIONS**

Texwood Furniture Corp. "Bravo" Wood Library Furniture; Full panel starter #MC-1 on page.

*Primary Examiner*—Carmen H. Vales-Lado  
*Attorney, Agent, or Firm*—Barnes, Kisselle, Raisch, Choate, Whittemore & Hulbert

[57] **CLAIM**

The ornamental design for a carrel, as shown and described.

**DESCRIPTION**

FIG. 1 is a perspective view of a carrel showing my new design; the opposite side being a mirror image thereof;

FIG. 2 is a top plan view thereof;

FIG. 3 is a front elevational view thereof;

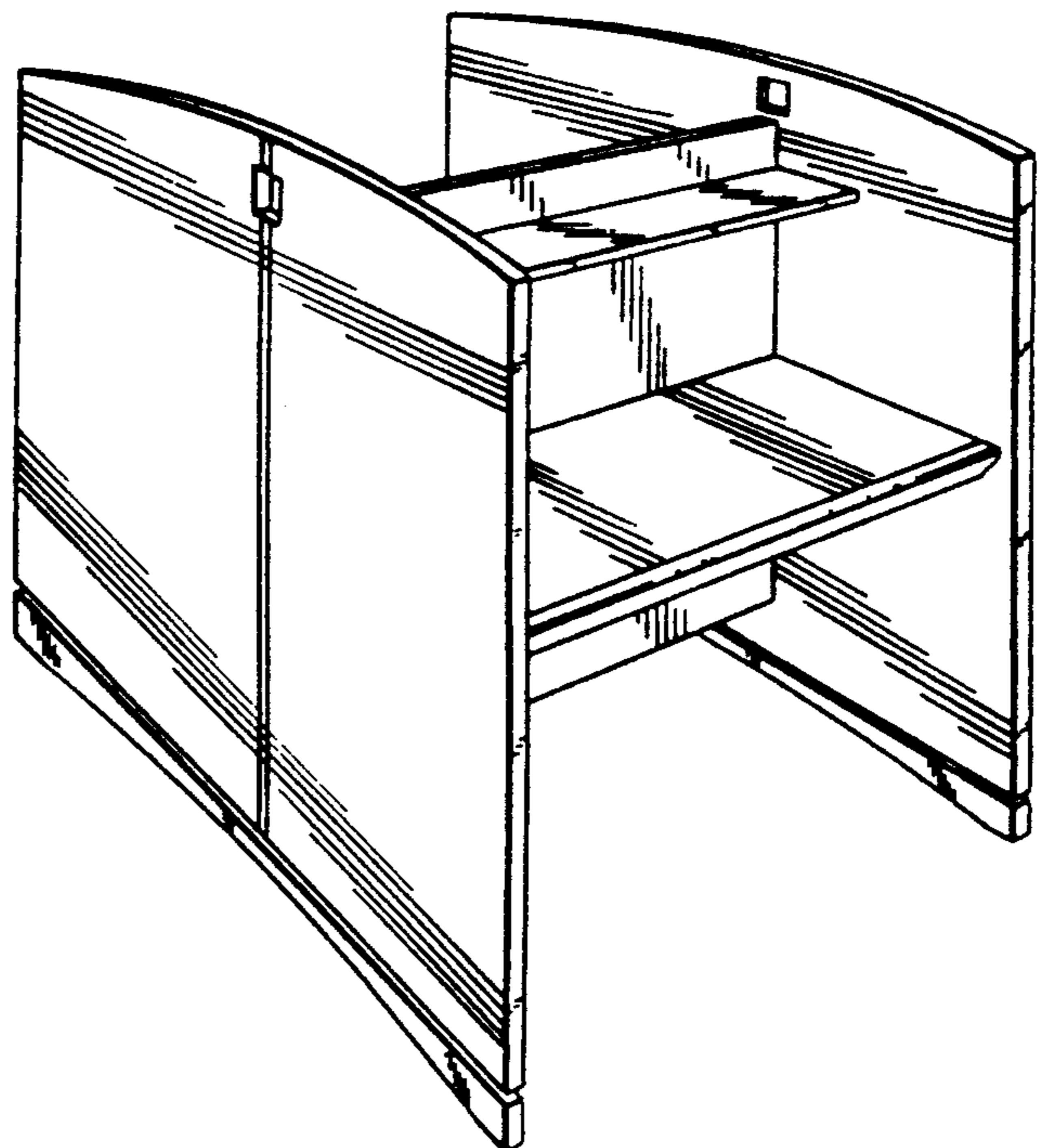
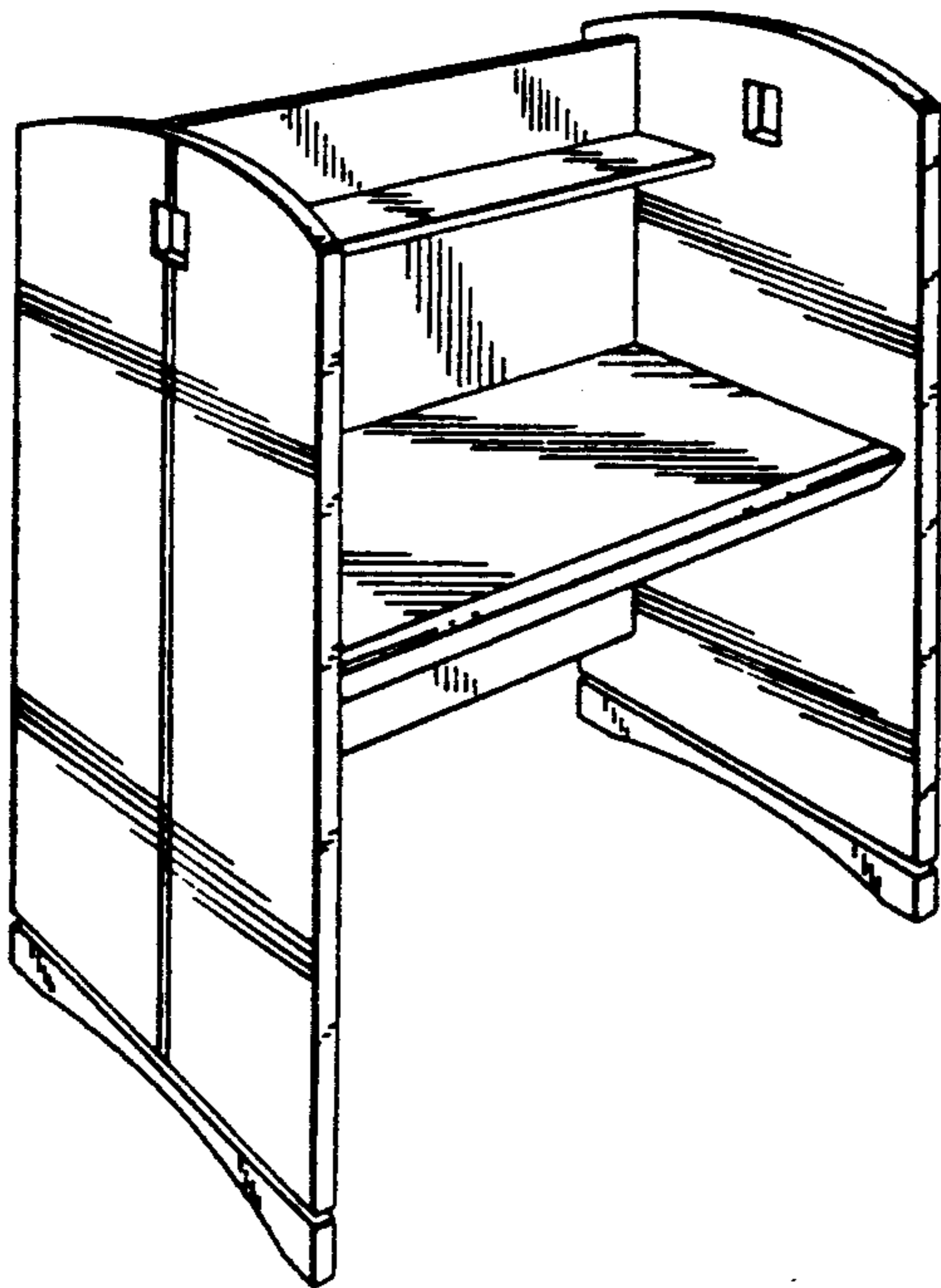
FIG. 4 is a rear elevational view thereof;

FIG. 5 is a perspective view of a modified form of the carrel shown in FIG. 1;

FIG. 6 is a top plan view thereof;

FIG. 7 is a front elevational view, the rear being identical thereto; and,

FIG. 8 is a side elevational view, the opposite side being a mirror image thereof.



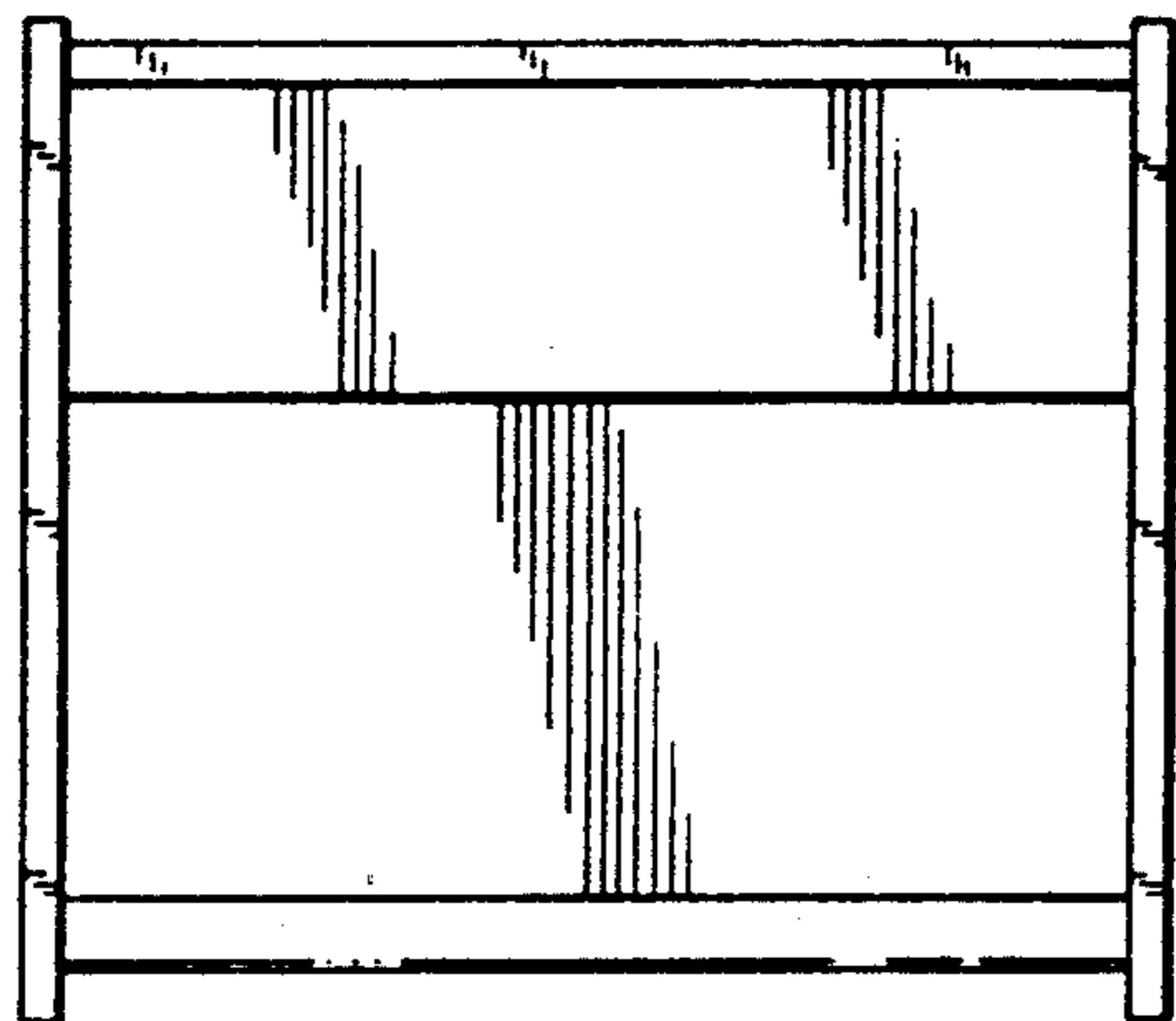


FIG. 2

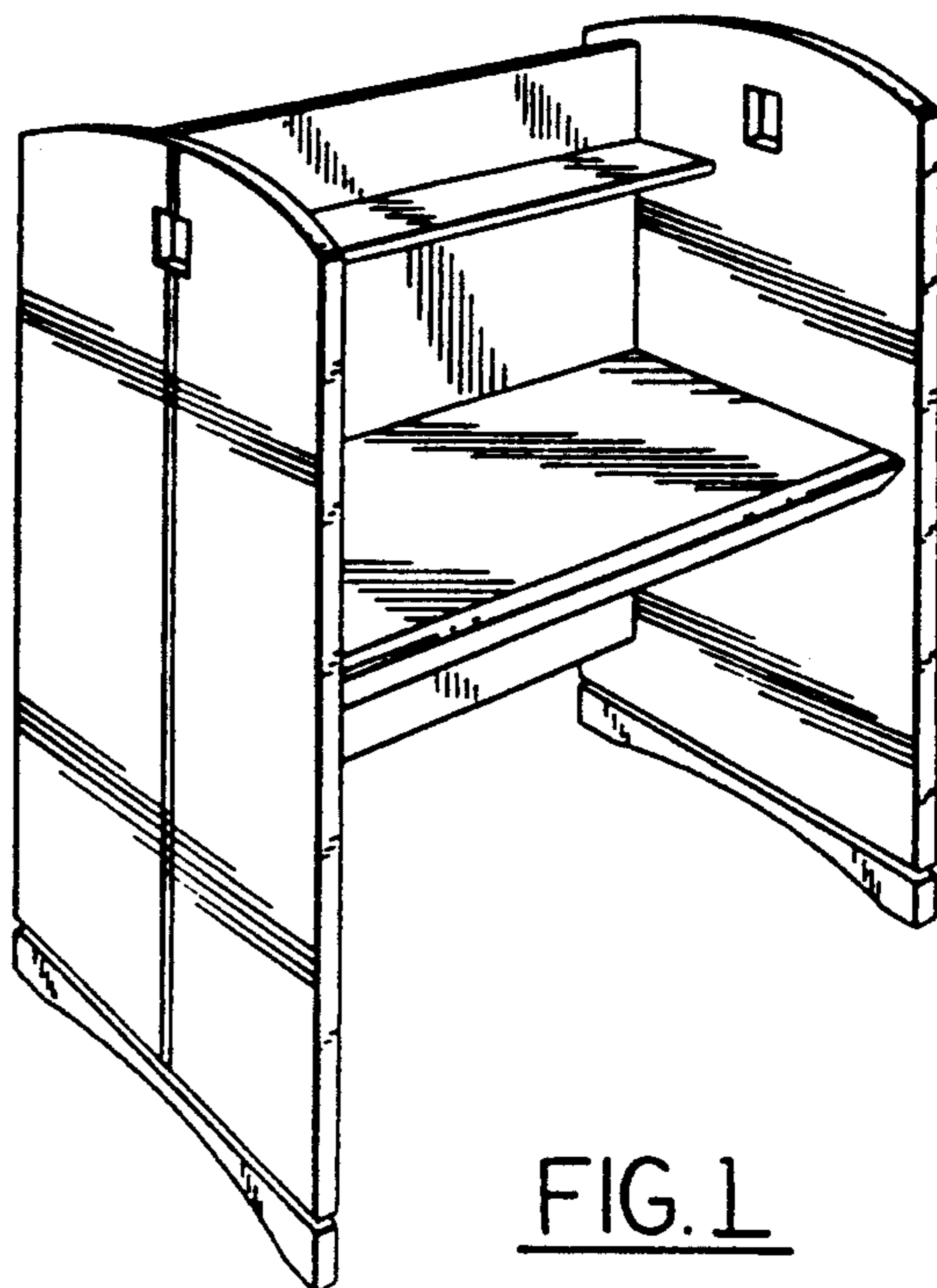


FIG. 1

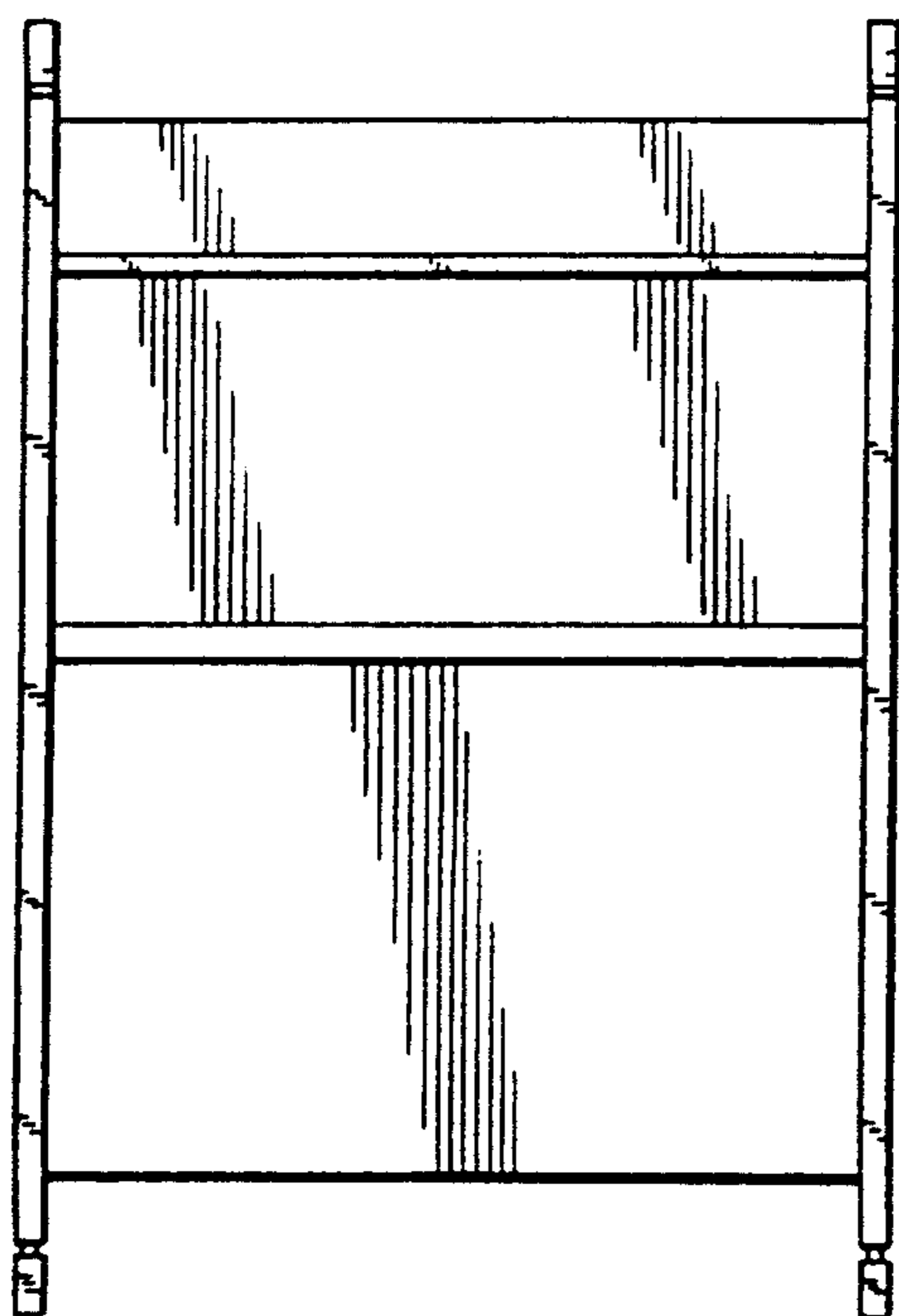


FIG. 3

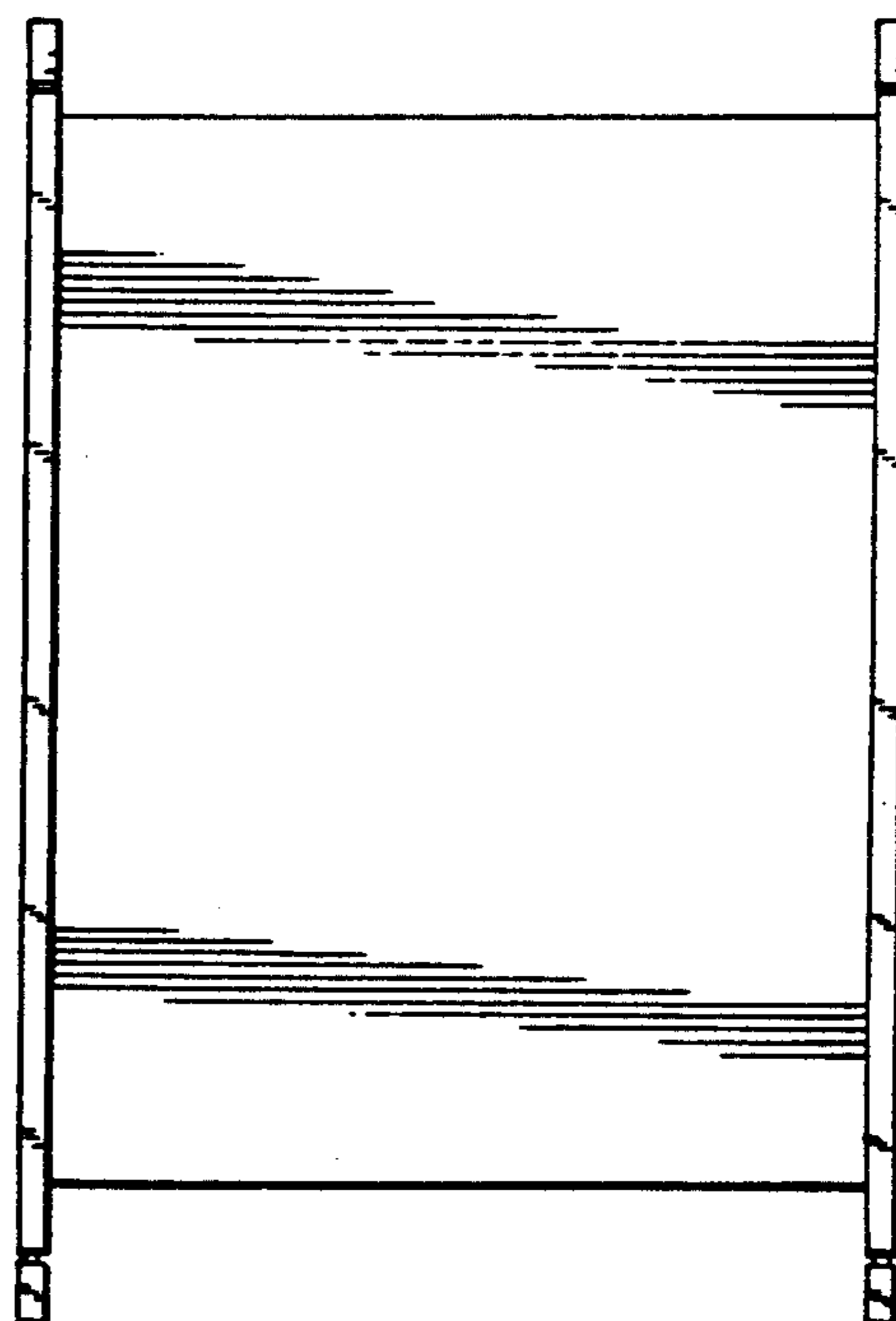


FIG. 4

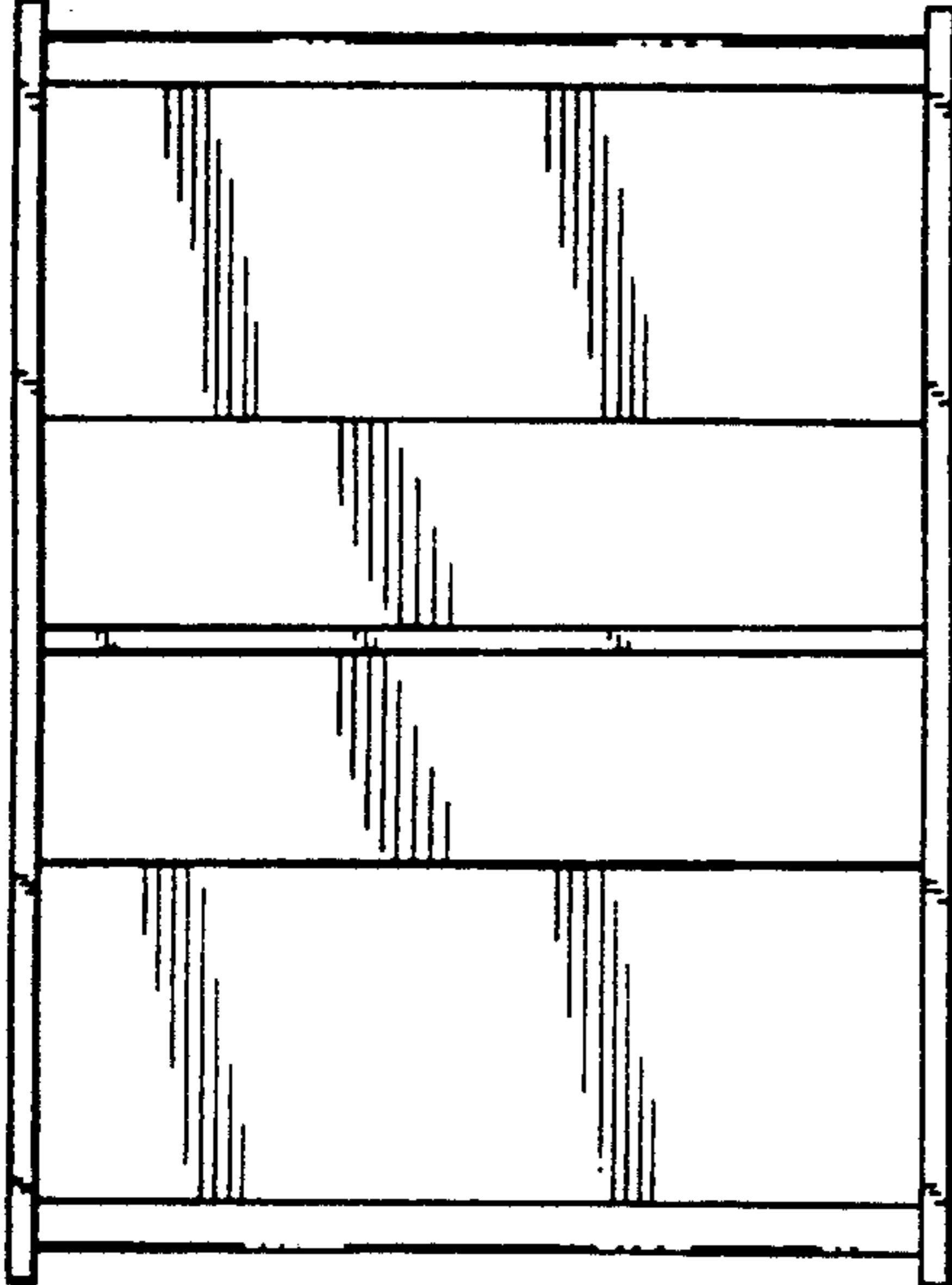


FIG. 6

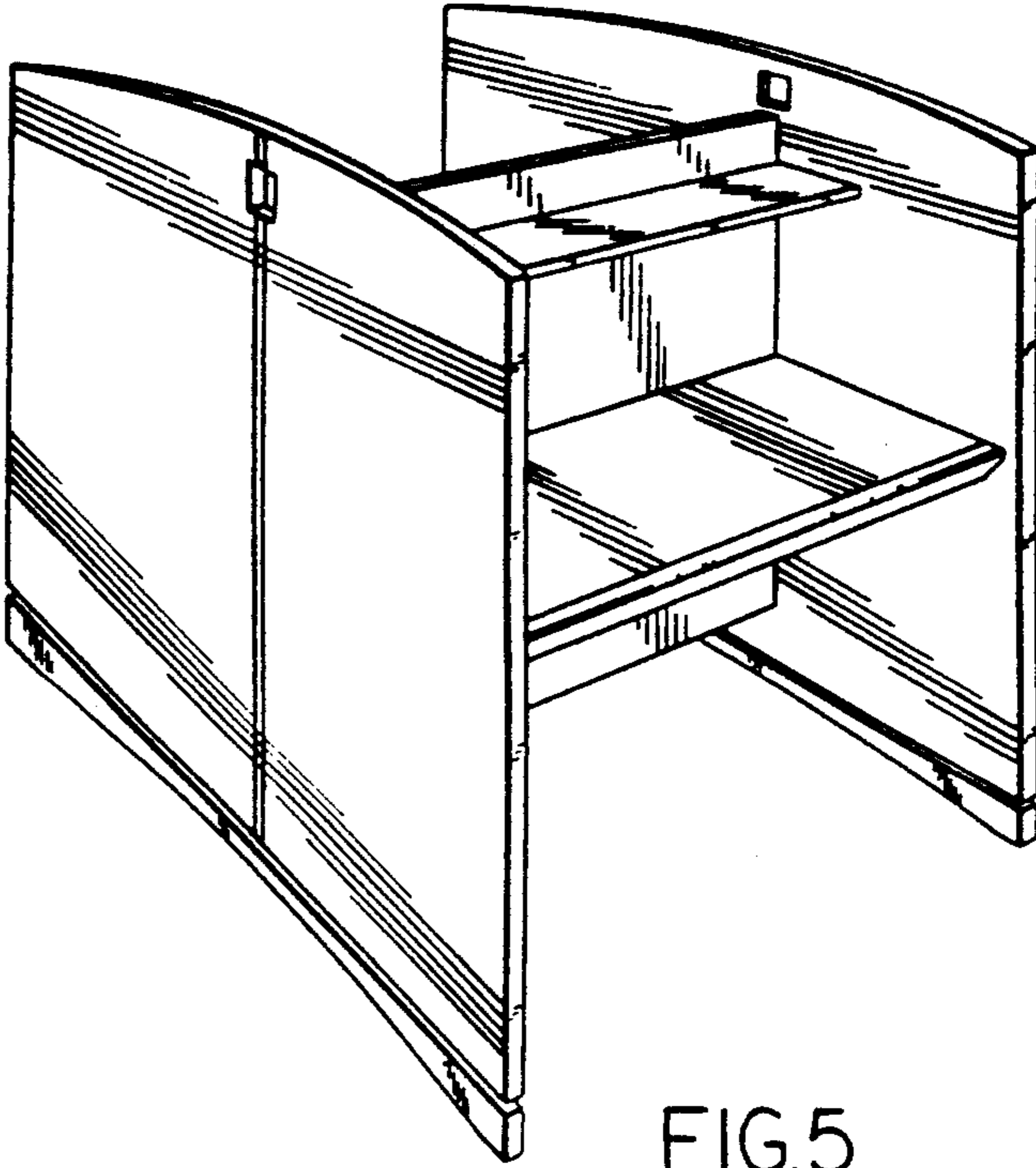


FIG. 5

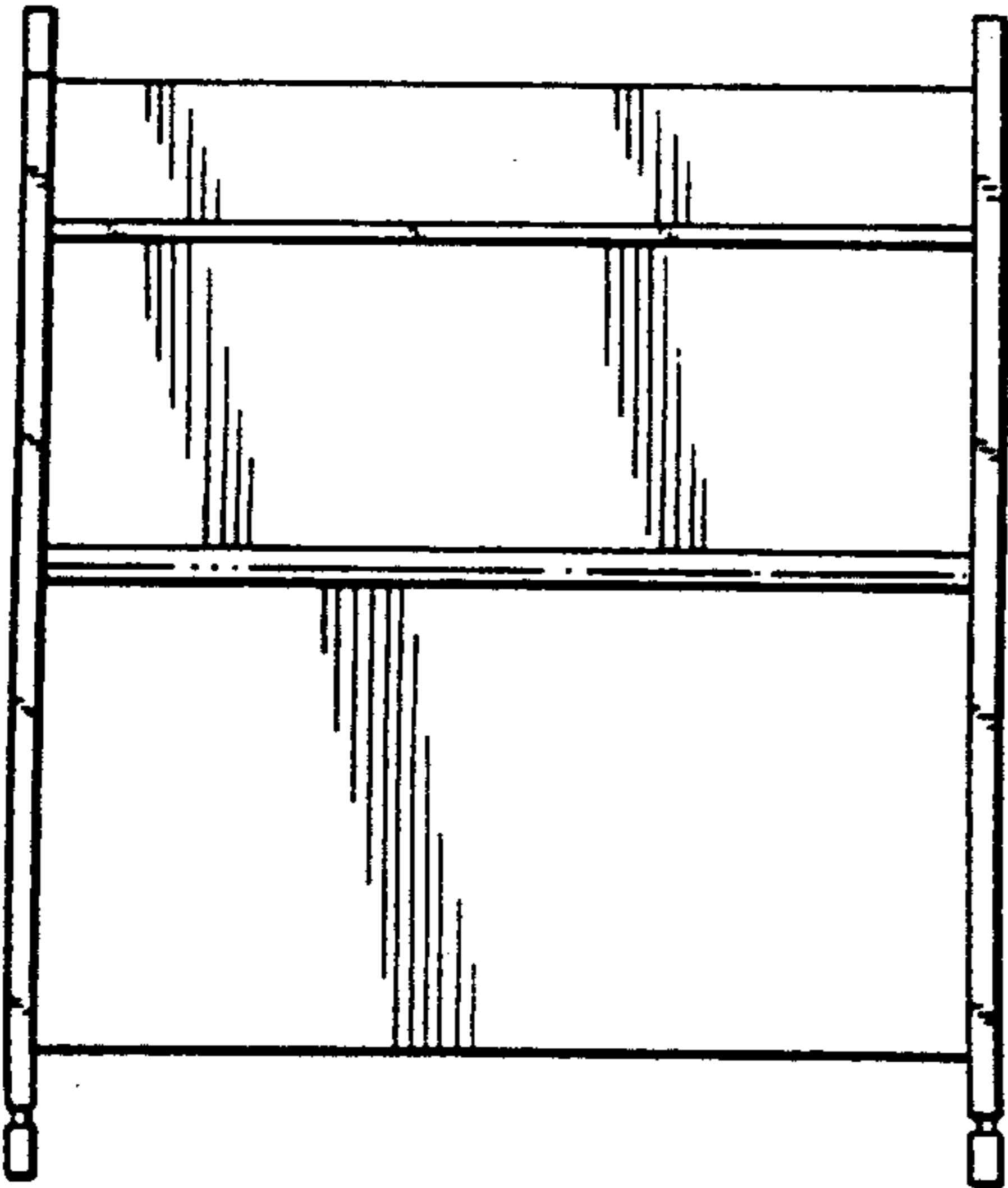


FIG. 7

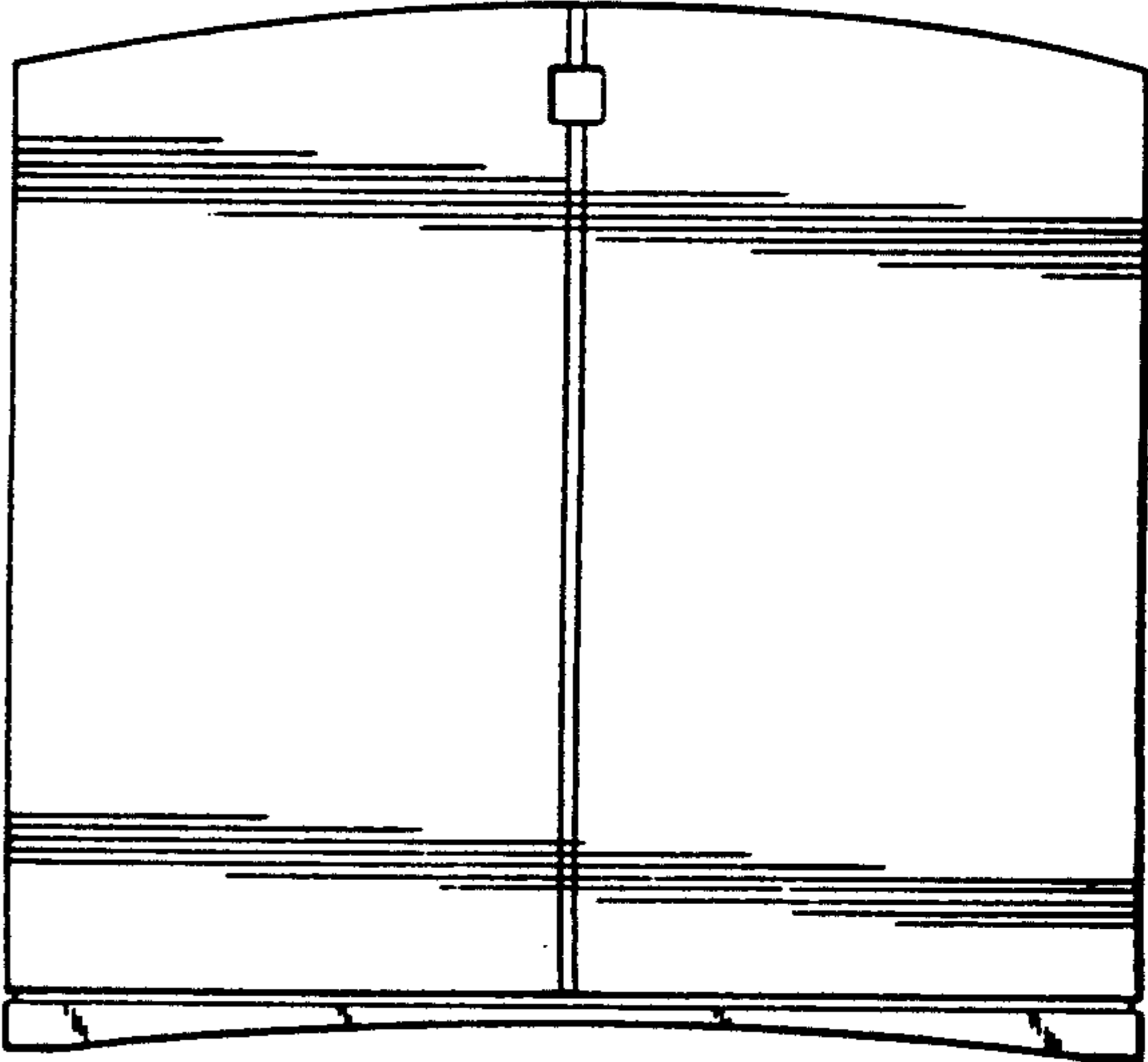


FIG. 8