



US00D341267S

United States Patent [19]

[11] Patent Number: **Des. 341,267**

Caldwell

[45] Date of Patent: **** Nov. 16, 1993**

[54] BENCH

[76] Inventor: **John Caldwell**, 1829 Warwick Rd.,
San Marino, Calif. 91108

[**] Term: **14 Years**

[21] Appl. No.: **704,621**

[22] Filed: **May 23, 1991**

[52] U.S. Cl. **D6/381; D6/370;**
D6/379

[58] Field of Search **D6/334, 370, 371, 374,**
D6/375, 376, 379, 380, 500, 501, 502; 297/232,
420

[56] **References Cited**

U.S. PATENT DOCUMENTS

D. 222,051	9/1971	Shannon	D6/381
D. 278,955	5/1985	Syme et al.	D6/381
D. 309,682	8/1990	Fisher	D6/381
D. 329,758	9/1992	Mecker	D6/381

OTHER PUBLICATIONS

Schöner Wohnen, Mar. 1988, p. 75, Bench at bottom left.

Schöner Wohnen, May 1988, p. 205, Bench at bottom left.

Primary Examiner—Alan P. Douglas

Assistant Examiner—Gary D. Watson

Attorney, Agent, or Firm—Donald D. Mon

[57] **CLAIM**

The ornamental design for a bench, as shown and described.

DESCRIPTION

FIG. 1 is a front perspective view of the presently-preferred bench according to this invention;

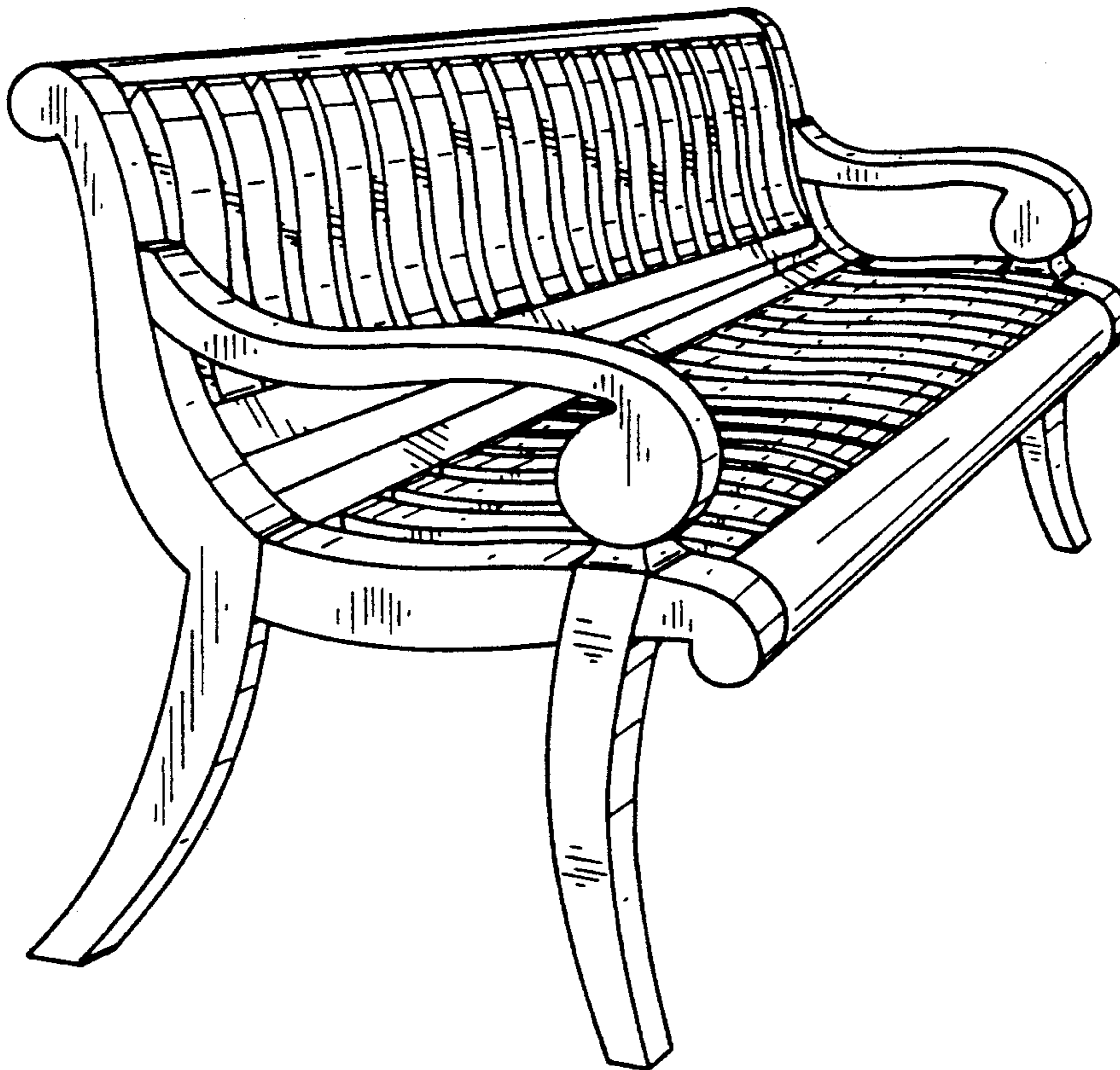
FIG. 2 is a rear perspective view of the bench of FIG. 1;

FIG. 3 is a front elevation of the bench of FIG. 1;

FIG. 4 is a rear elevation of the bench of FIG. 1;

FIG. 5 is a left side view of FIG. 3, the right side view being its mirror image; and,

FIG. 6 is a top view of FIG. 1.



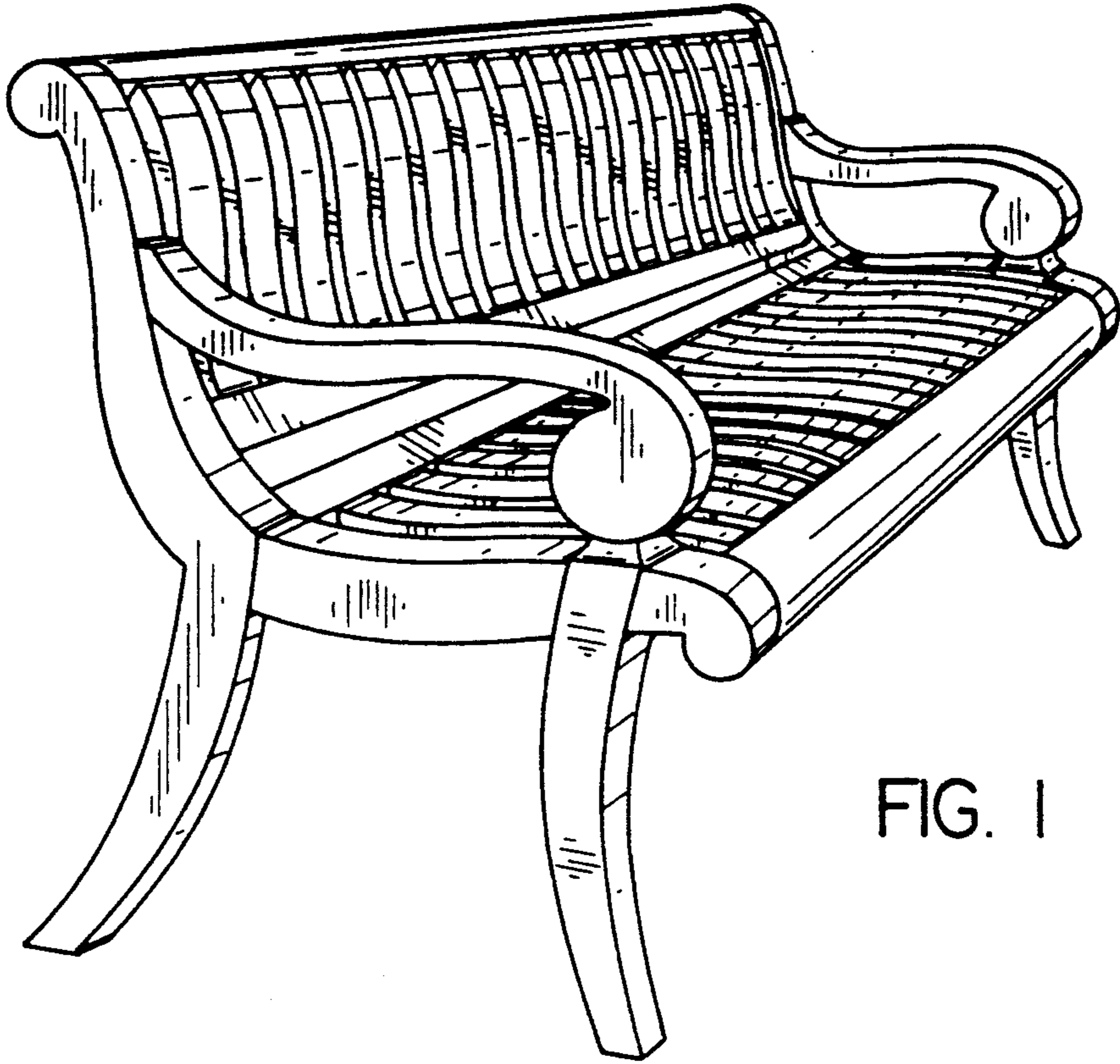


FIG. 1

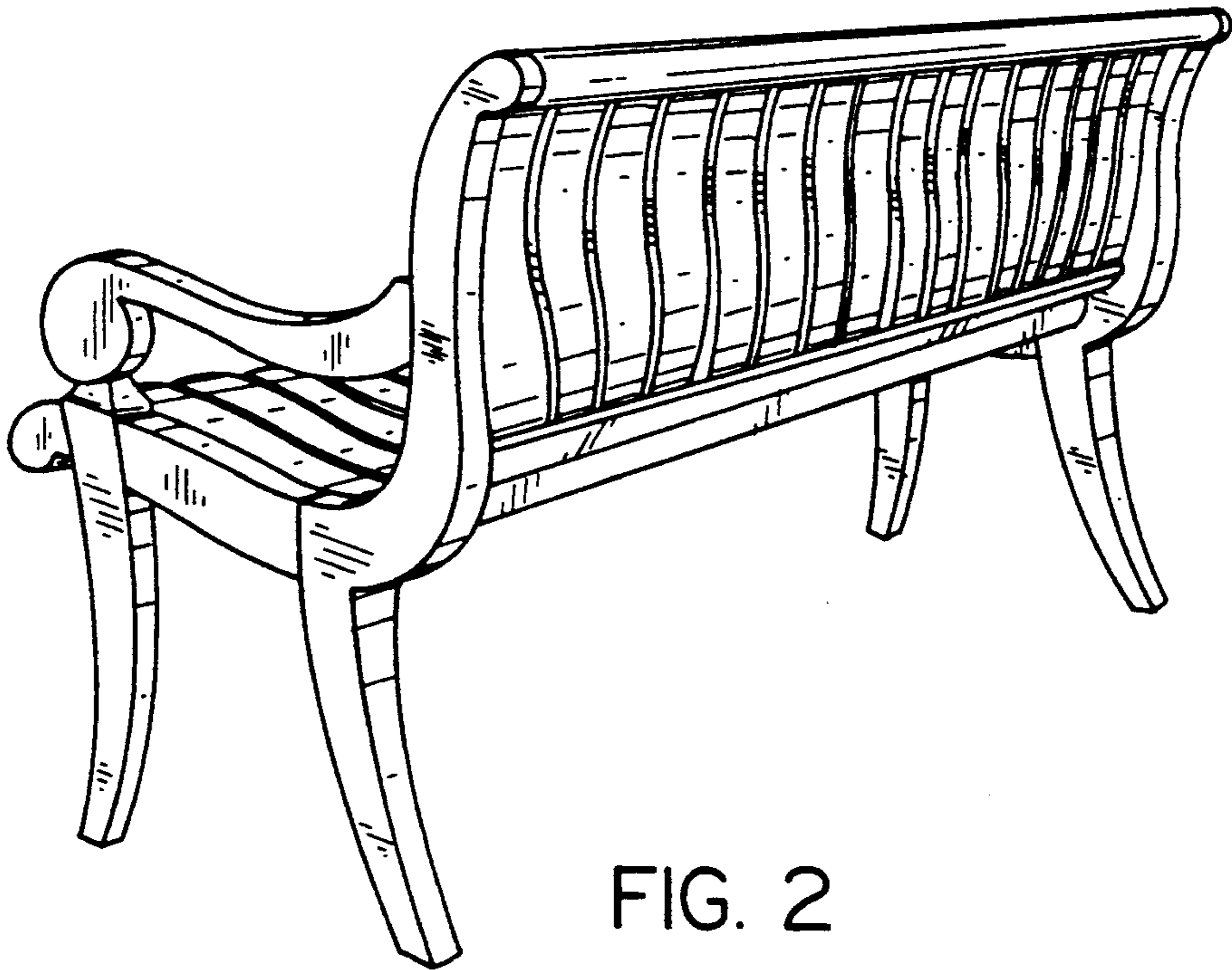


FIG. 2

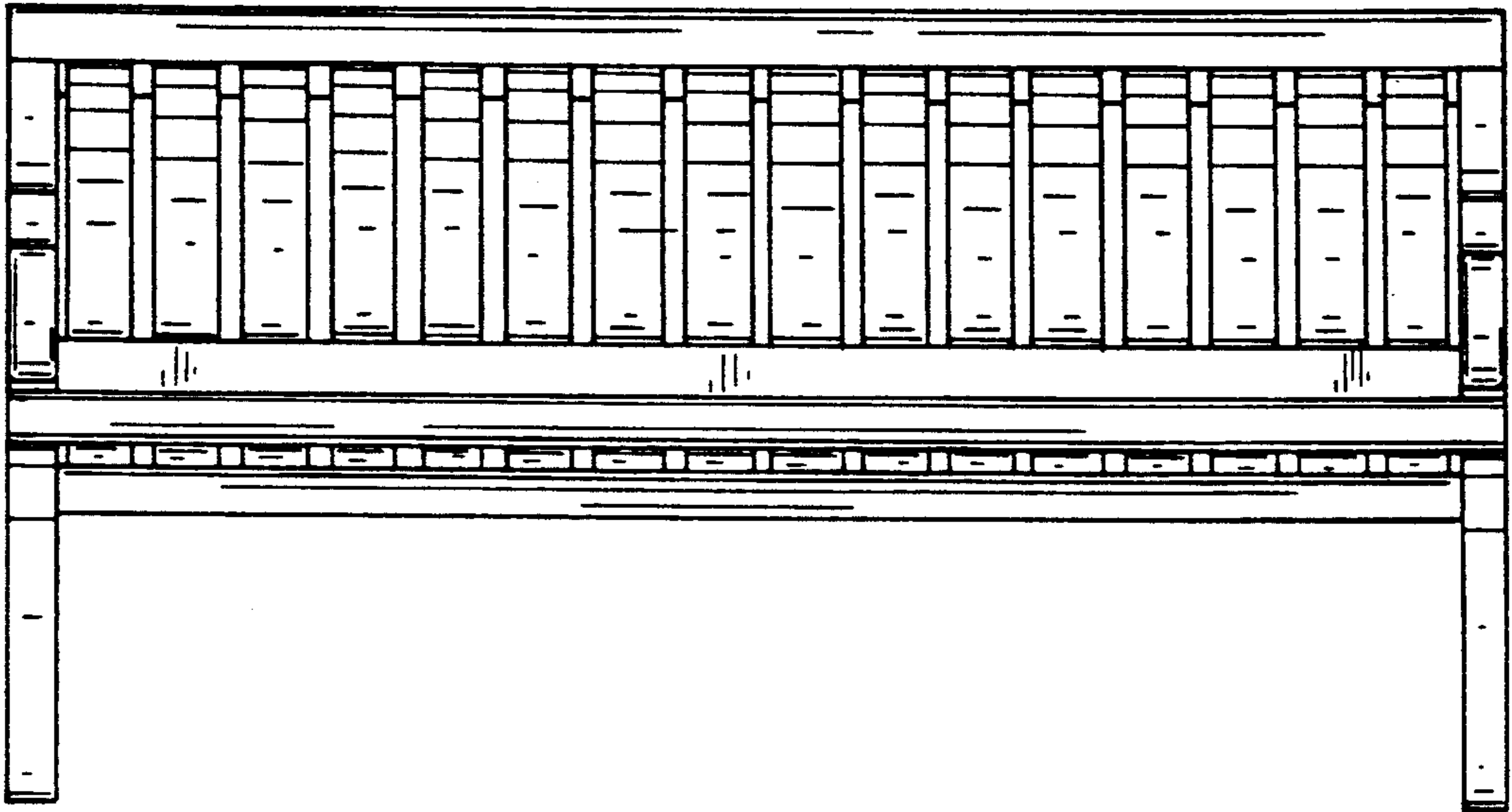


FIG. 3

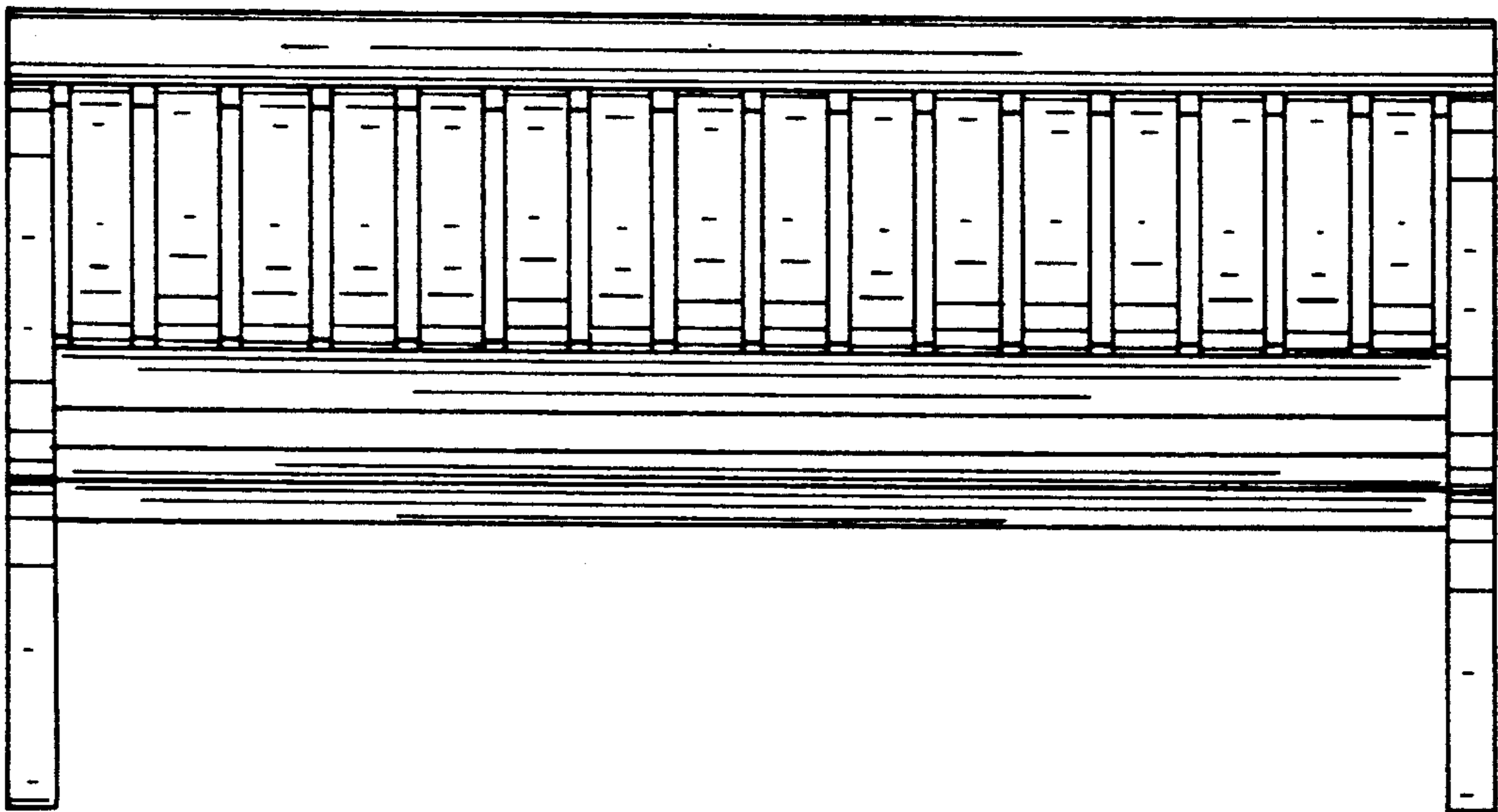


FIG. 4

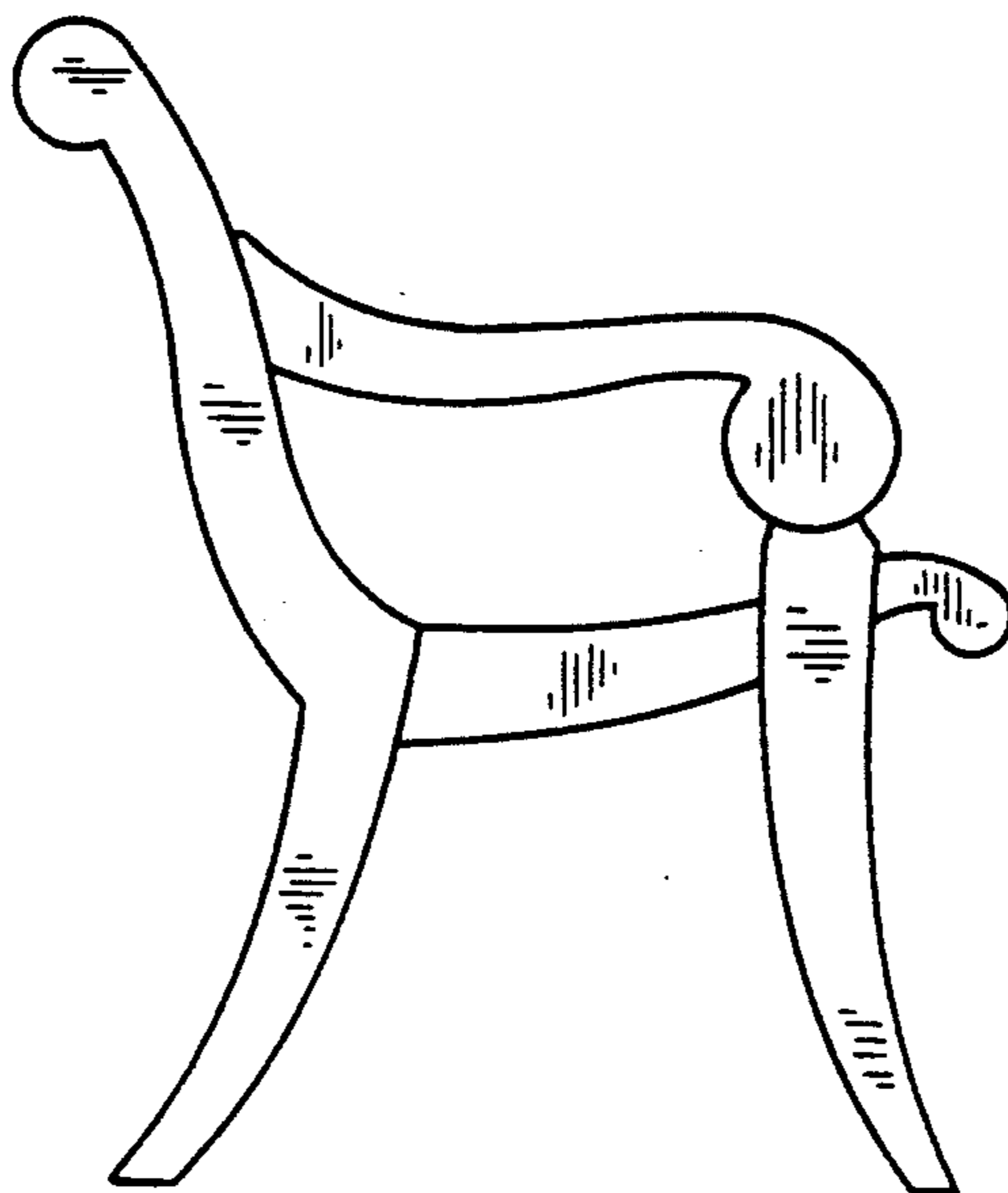


FIG. 5

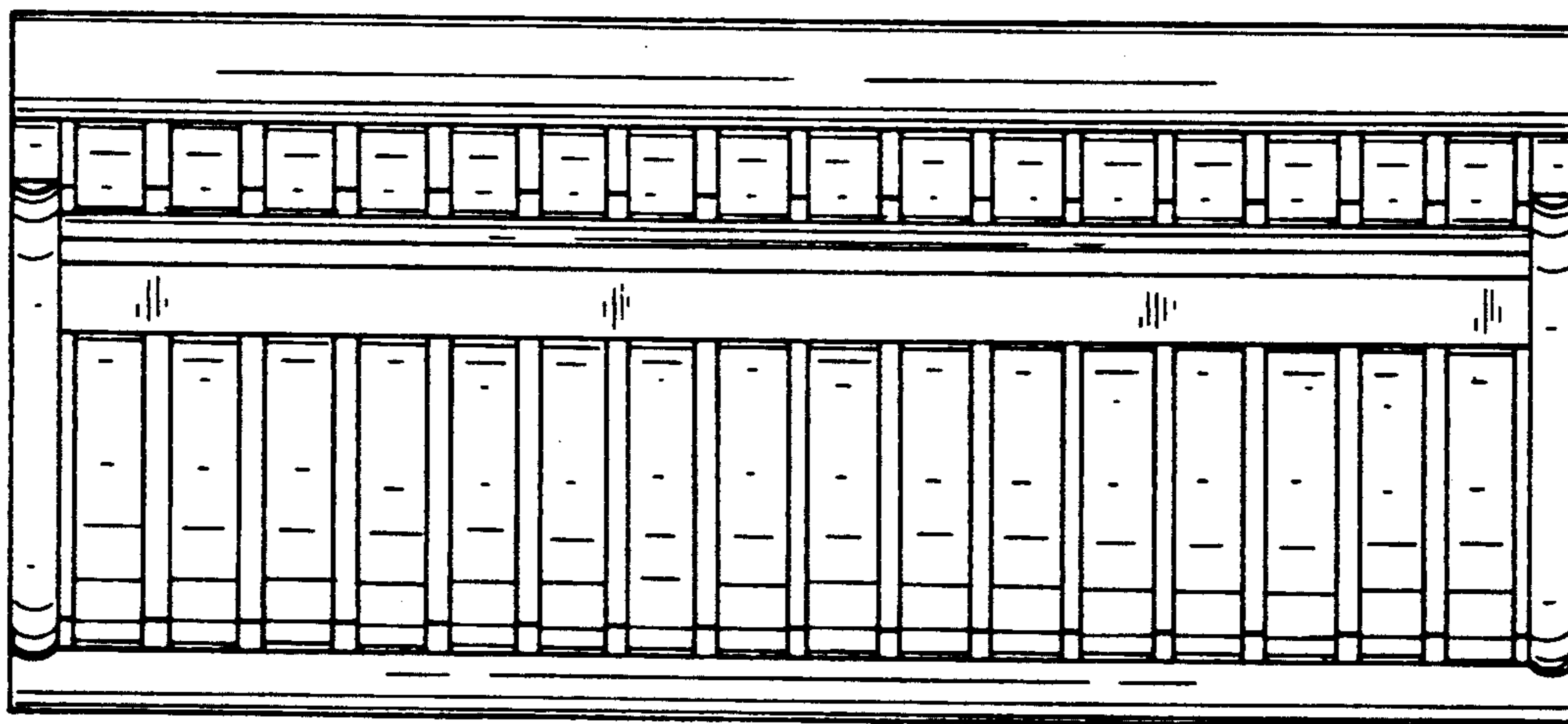


FIG. 6