



US00D341261S

United States Patent [19]

[11] Patent Number: **Des. 341,261**

Decklever et al.

[45] Date of Patent: **** Nov. 16, 1993**

[54] **FISHING AND OUTDOOR CHAIR**

2,909,215 10/1959 Mitchell D6/336 X
3,233,940 2/1966 Tooley, Jr. 297/194
4,948,197 8/1990 Sansing 297/345 X

[76] Inventors: **James D. Decklever**, 3946 E. 6th St.;
Randall P. Spencer, 3061 Grier Blvd.,
both of Cheyenne, Wyo. 82001

OTHER PUBLICATIONS

Webster's II New Riverside University Dictionary,
©1984, p. 1536, Zodiac Symbols for Gemini and Pi-
sces.

[**] Term: **14 Years**

Primary Examiner—Alan P. Douglas
Assistant Examiner—Gary D. Watson
Attorney, Agent, or Firm—Leon Gilden

[21] Appl. No.: **564,954**

[22] Filed: **Aug. 9, 1990**

[52] U.S. Cl. **D6/367; D6/335;**
D6/368

[57] CLAIM

[58] Field of Search **D6/334, 335, 336, 367,**
D6/368, 369, 370, 374, 375, 379, 380, 500, 501,
502; 297/194, 345

The ornamental design for a fishing and outdoor chair,
as shown and described.

[56] References Cited

DESCRIPTION

U.S. PATENT DOCUMENTS

D. 140,485 2/1945 Salmon et al. D6/368 X
D. 172,660 7/1954 Budai D6/368
D. 179,051 10/1956 Ashkouti D6/379
D. 193,336 8/1962 Batie et al. D6/336
D. 299,595 1/1989 Shields D6/336 X
2,692,637 10/1954 Rainwater 297/345

FIG. 1 is a front elevational view of the fishing and
outdoor chair showing my new design;
FIG. 2 is a rear elevational view thereof;
FIG. 3 is a left side elevational view thereof;
FIG. 4 is a right side elevational view thereof;
FIG. 5 is a top plan view thereof; and,
FIG. 6 is a bottom plan view thereof.

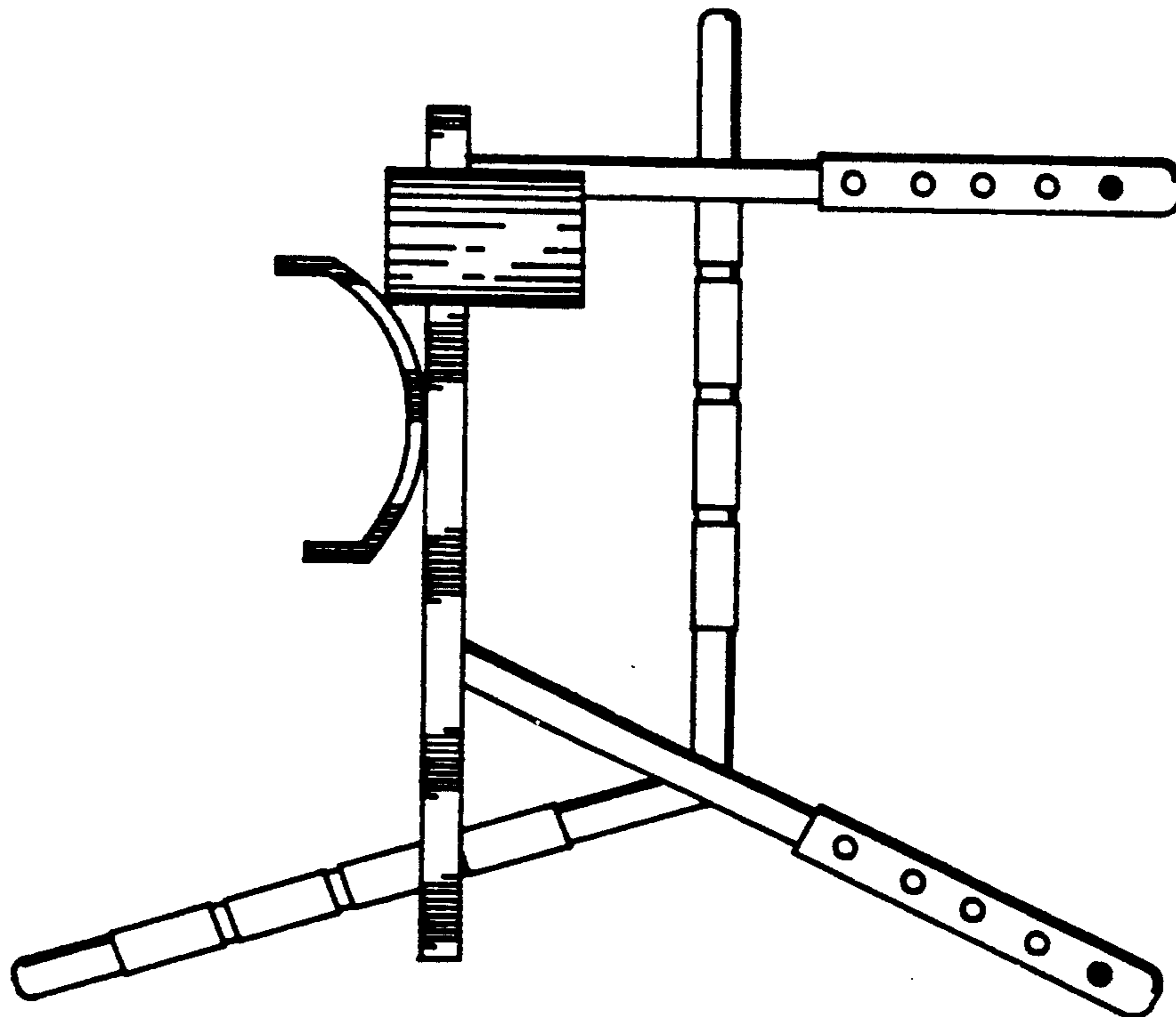


FIG. 2

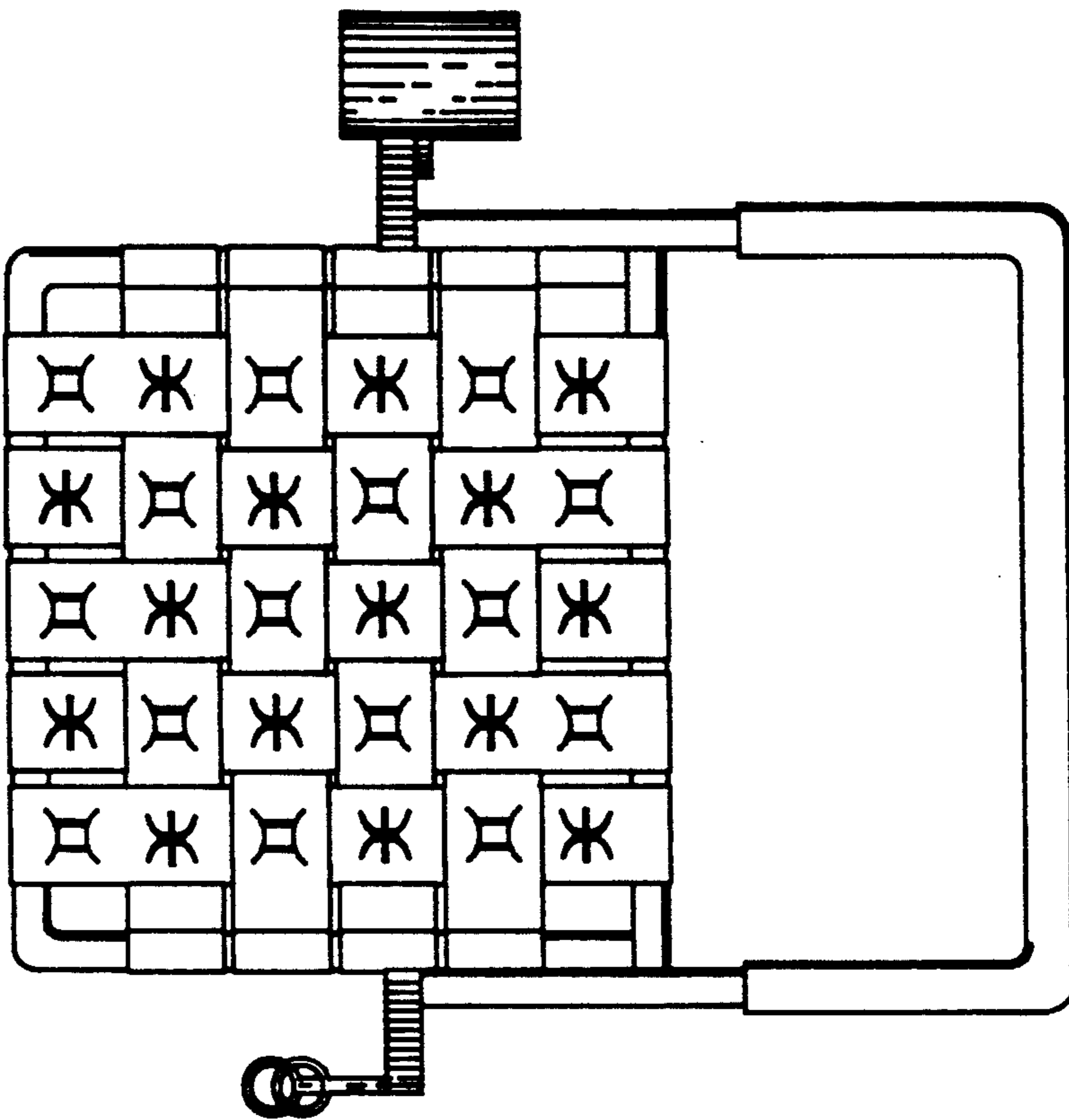


FIG. 1

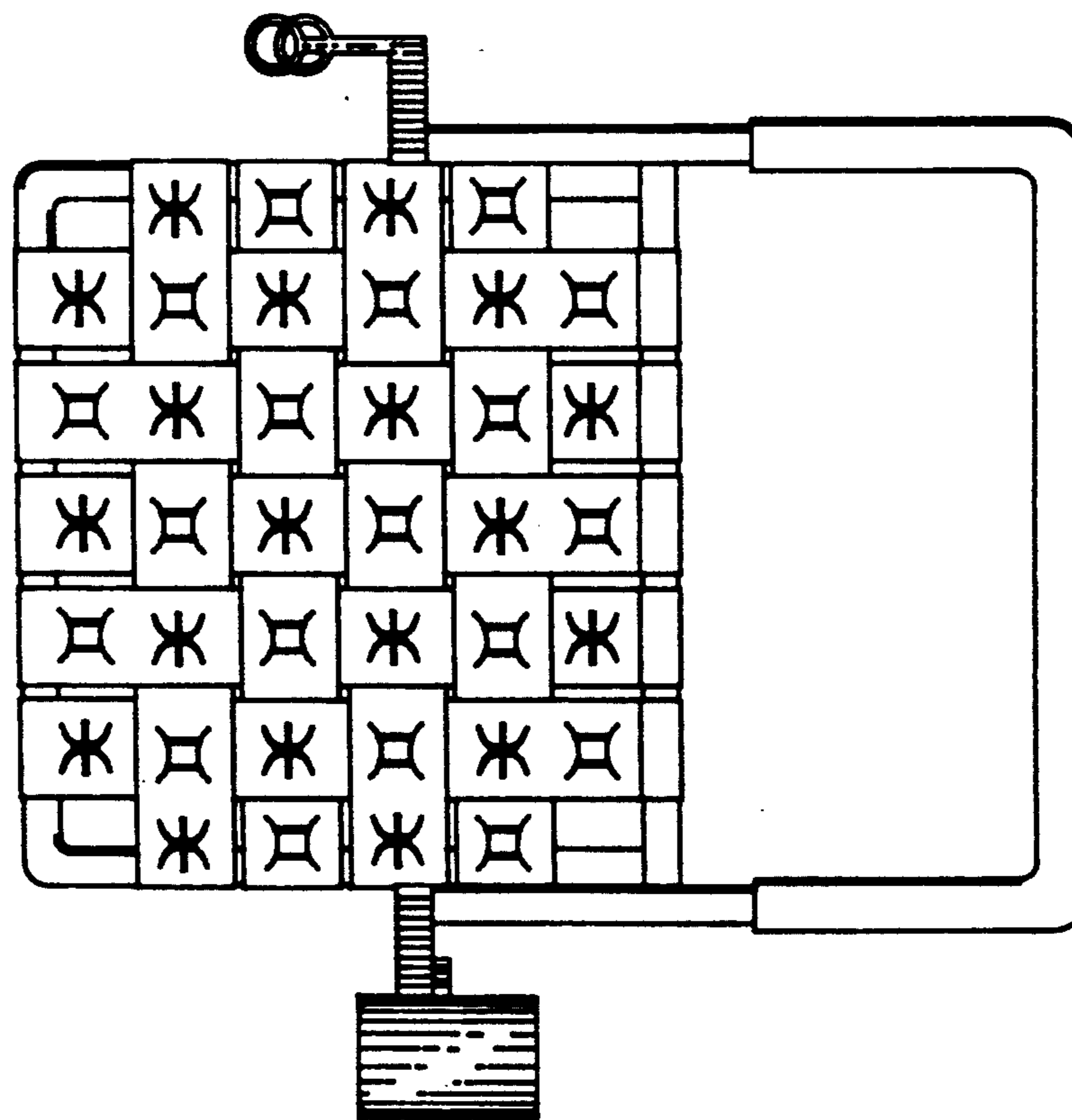


FIG. 4

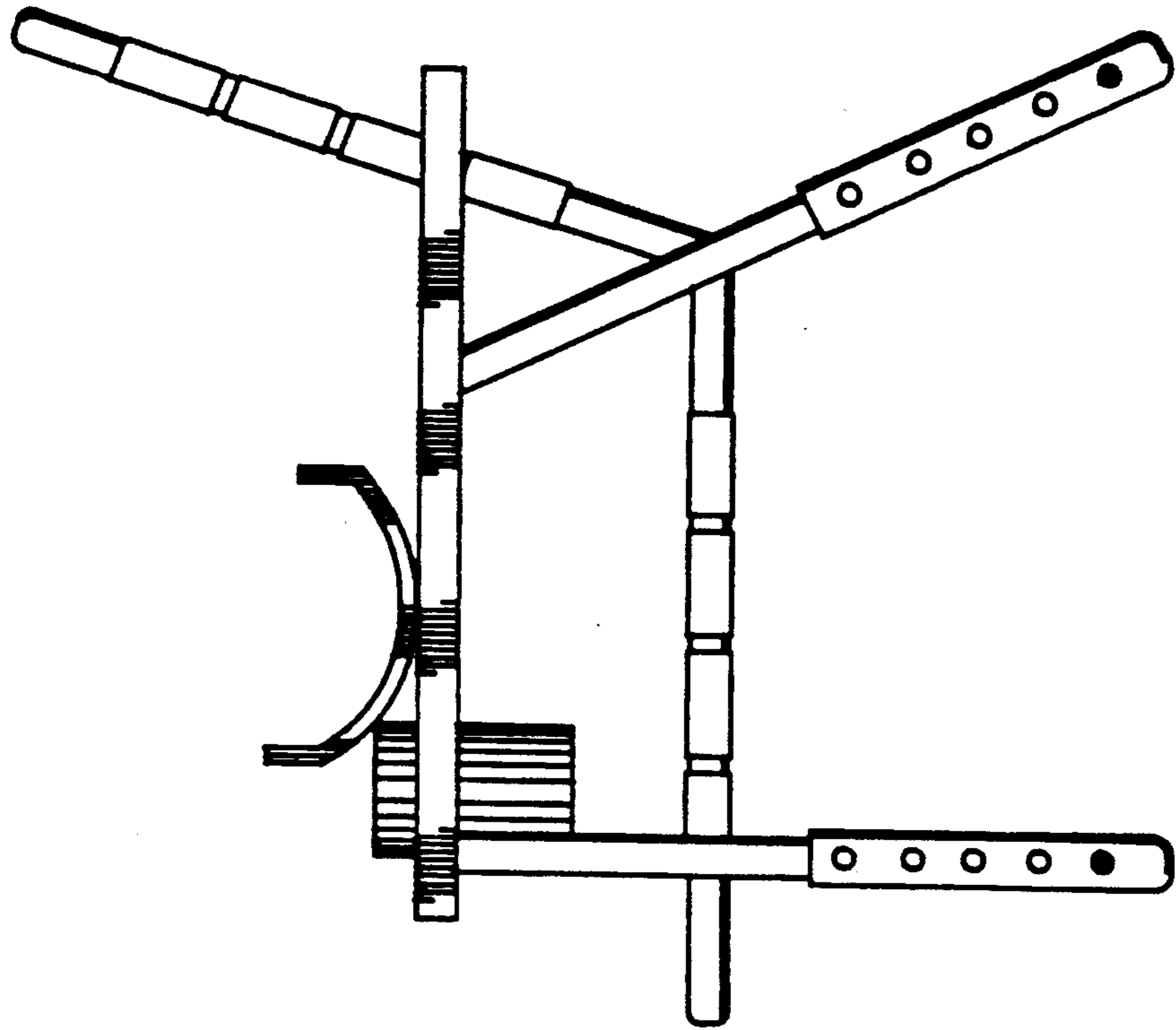


FIG. 3

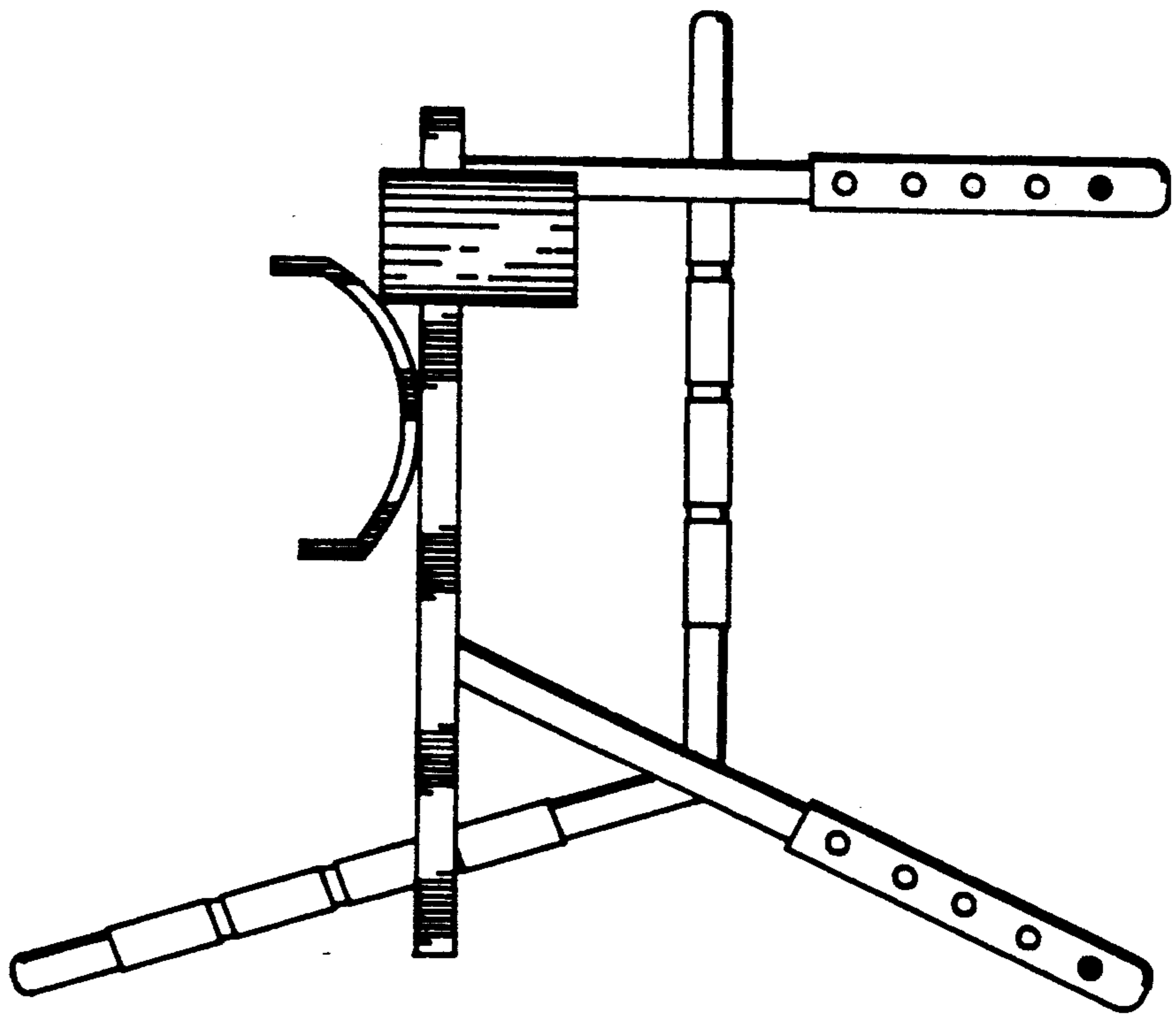


FIG. 6

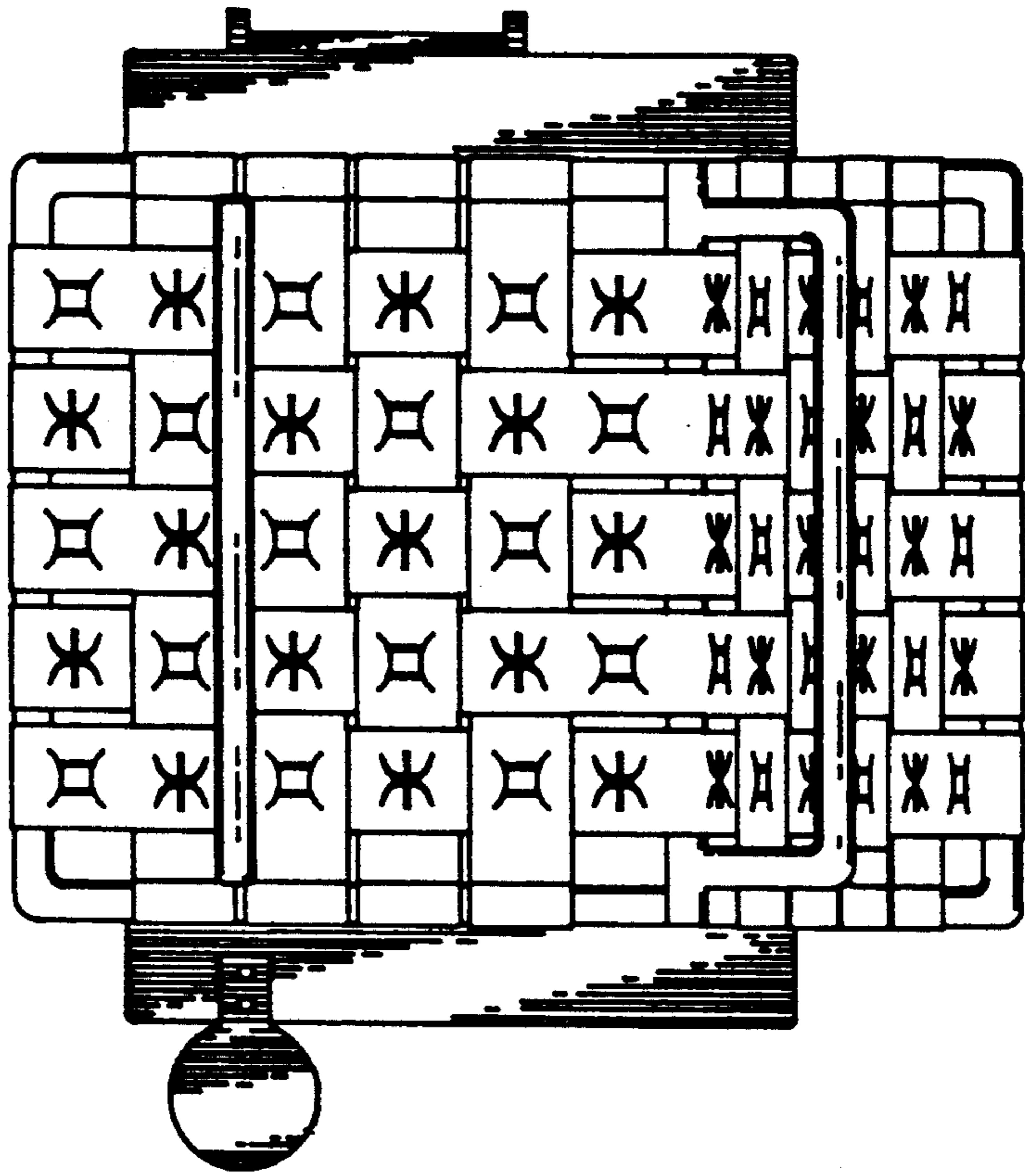


FIG. 5

