



US00D341258S

United States Patent [19] Sawtelle

[11] Patent Number: **Des. 341,258**

[45] Date of Patent: **** Nov. 16, 1993**

[54] RAIL BENCH

3635091 1/1988 Fed. Rep. of Germany 297/232

[76] Inventor: **Fred G. Sawtelle**, P.O. Box 21122,
Houston, Tex. 77026

OTHER PUBLICATIONS

Fixtures Contract Furniture Cat., pp. 35, 36, 37, and 38,
"Flip Seat".

[**] Term: **14 Years**

Primary Examiner—Alan P. Douglas
Assistant Examiner—Monica A. Hannon
Attorney, Agent, or Firm—Harrison & Egbert

[21] Appl. No.: **649,939**

[22] Filed: **Feb. 4, 1991**

[52] U.S. Cl. **D6/349**

[58] Field of Search **D6/349; 248/118;**
297/232, 448

[57] CLAIM

The ornamental design for a rail bench, as shown and described.

[56] References Cited

DESCRIPTION

U.S. PATENT DOCUMENTS

2,132,331 10/1938 **Wanamaker** 297/232 X
3,584,916 6/1971 **Bayes** 297/232
3,884,524 5/1975 **Eberle** 297/232
4,703,976 11/1987 **Wirth** 297/232 X

FIG. 1 is a perspective view of the rail bench of the present invention;
FIG. 2 is a side view of the rail bench of the present invention;
FIG. 3 is a front view of the rail bench of the present invention; and,
FIG. 4 is a top view of the rail bench of the present invention.

FOREIGN PATENT DOCUMENTS

3618172 12/1987 Fed. Rep. of Germany 297/232

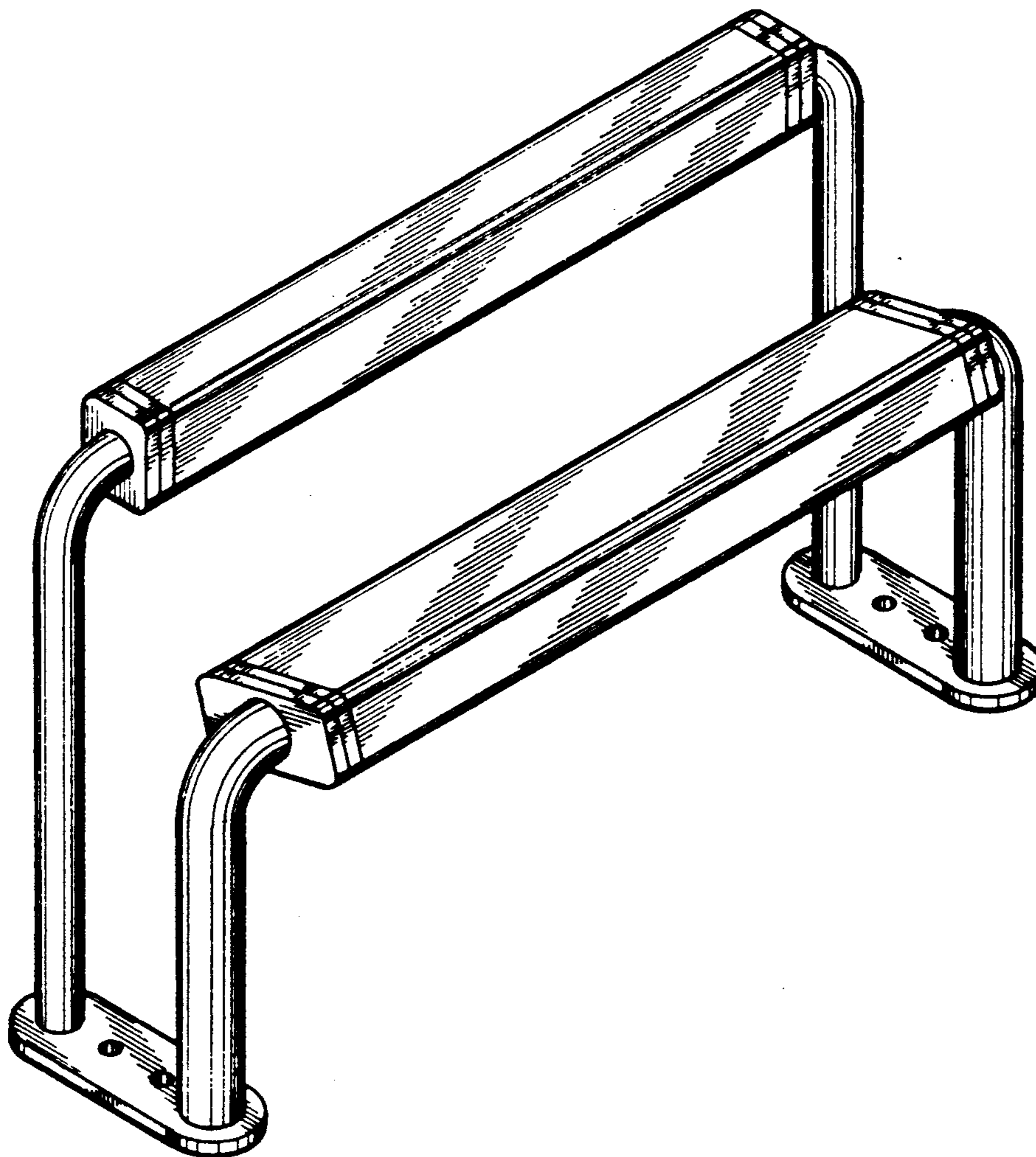


FIG. 1

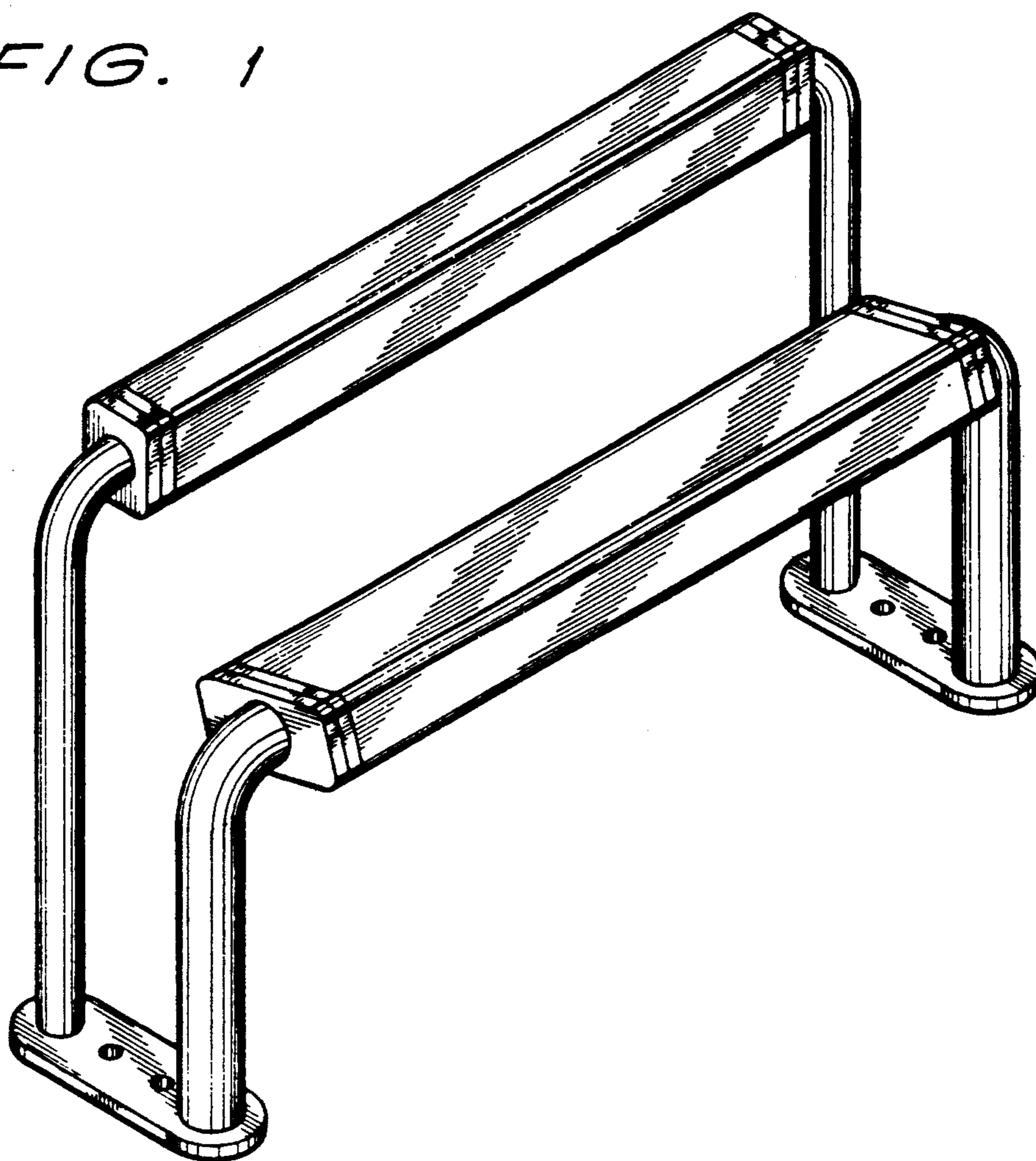


FIG. 2

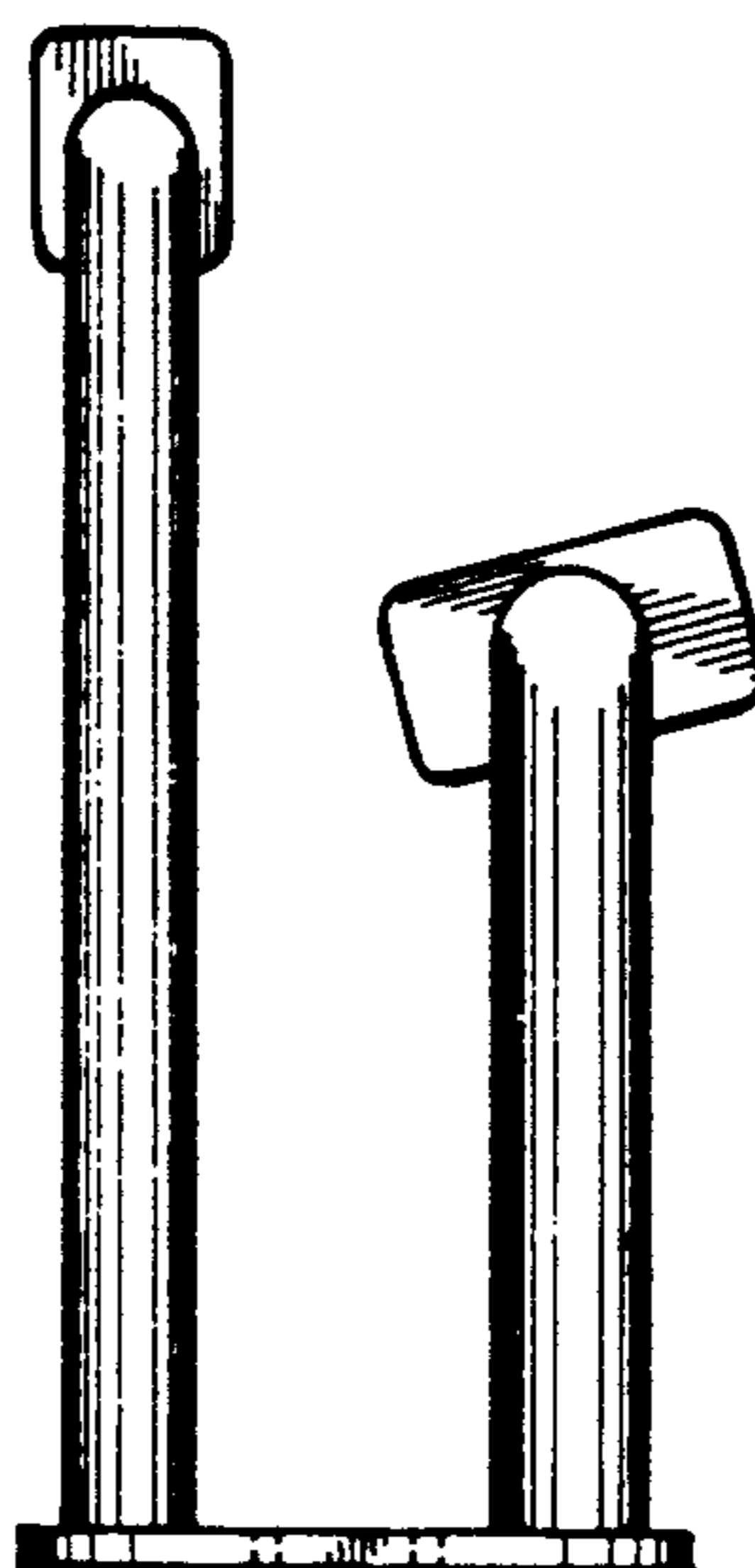


FIG. 3

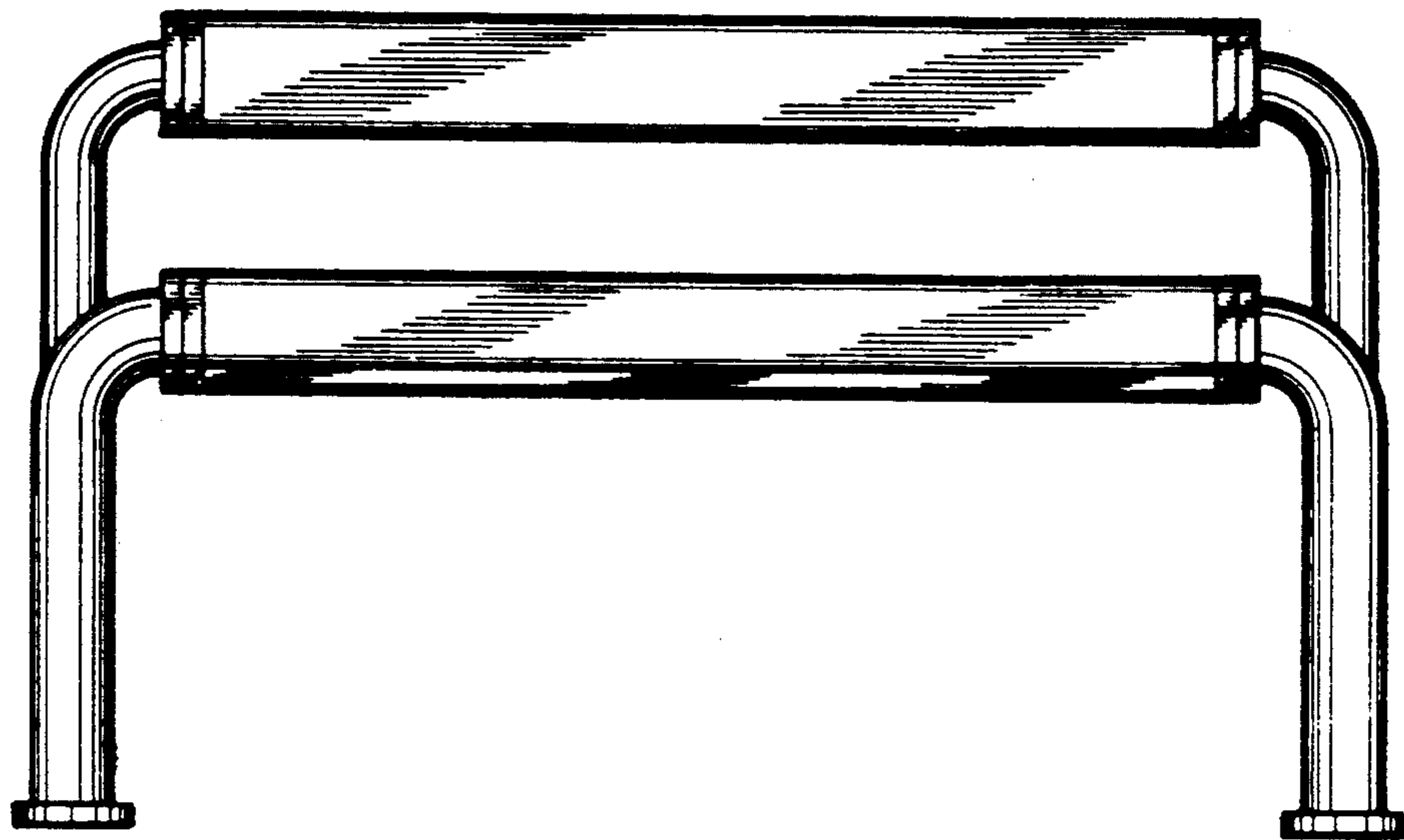


FIG. 4

