



US00D341256S

United States Patent [19]

[11] Patent Number: Des. 341,256

Brazis et al.

[45] Date of Patent: ** Nov. 16, 1993

[54] LINT ROLLER SUPPORT AND HANDLE UNIT

4,557,011 12/1985 Sartori 15/104.002
4,570,280 2/1986 Roth 15/104.002

[75] Inventors: William E. Brazis; David L. Feer, both of Medina, Ohio

[73] Assignee: Rubbermaid Incorporated, Wooster, Ohio

[**] Term: 14 Years

[21] Appl. No.: 818,971

[22] Filed: Jan. 10, 1992

[52] U.S. Cl. D4/122

[58] Field of Search D4/121-122, D4/138; 15/104.002, 143.1, 230.11

[56] References Cited

U.S. PATENT DOCUMENTS

D. 196,356	9/1963	McKay	D4/122
D. 223,018	2/1972	Pharris et al.	D4/138
D. 273,058	3/1984	McKay	D4/122
D. 273,059	3/1984	McKay	D4/122
D. 276,763	12/1984	McKay	D4/122
D. 281,654	12/1985	Bladh et al.	D4/122
D. 305,481	1/1990	Bruno et al.	D4/121 X
2,758,327	8/1956	Kennon	15/104.002
2,807,039	9/1957	Butler	15/104.002
3,156,938	11/1964	Bills	15/104.002
3,225,373	12/1965	Kisbany	15/104.002
3,417,418	12/1968	Riboud	15/104.002
3,421,170	1/1969	Thomas, Jr.	15/104.002
4,361,923	12/1982	McKay	15/104.002
4,399,579	8/1983	McKay	15/104.002
4,422,201	12/1983	McKay	15/104.002
4,427,726	1/1984	Wolfrum	428/43

OTHER PUBLICATIONS

Price List, Lint Roller, Helmac Products Corporation, P.O. Box 73, Flint, Mich. 48501-0073. Publication date Jan., 1990.

Label and Photograph, Lint Roller, Action Industries, Inc., Cheswick, Pa. 15024. Publication date 1989.

Label and Photograph, Lint Roller, Action Industries, Inc., Cheswick, Pa. 15024. Publication date 1989.

Label and Photograph, Lint Roller, Roth (Plastics) Corporation, P.O. Box 434, Lewiston, N.Y. 14092. Publication date 1978.

Primary Examiner—Wallace R. Burke

Assistant Examiner—Lavone D. Tabor

Attorney, Agent, or Firm—Richard B. O'Planick; Lisa B. Riedesel

[57] CLAIM

The ornamental design for a lint roller support and handle unit, as shown and described.

DESCRIPTION

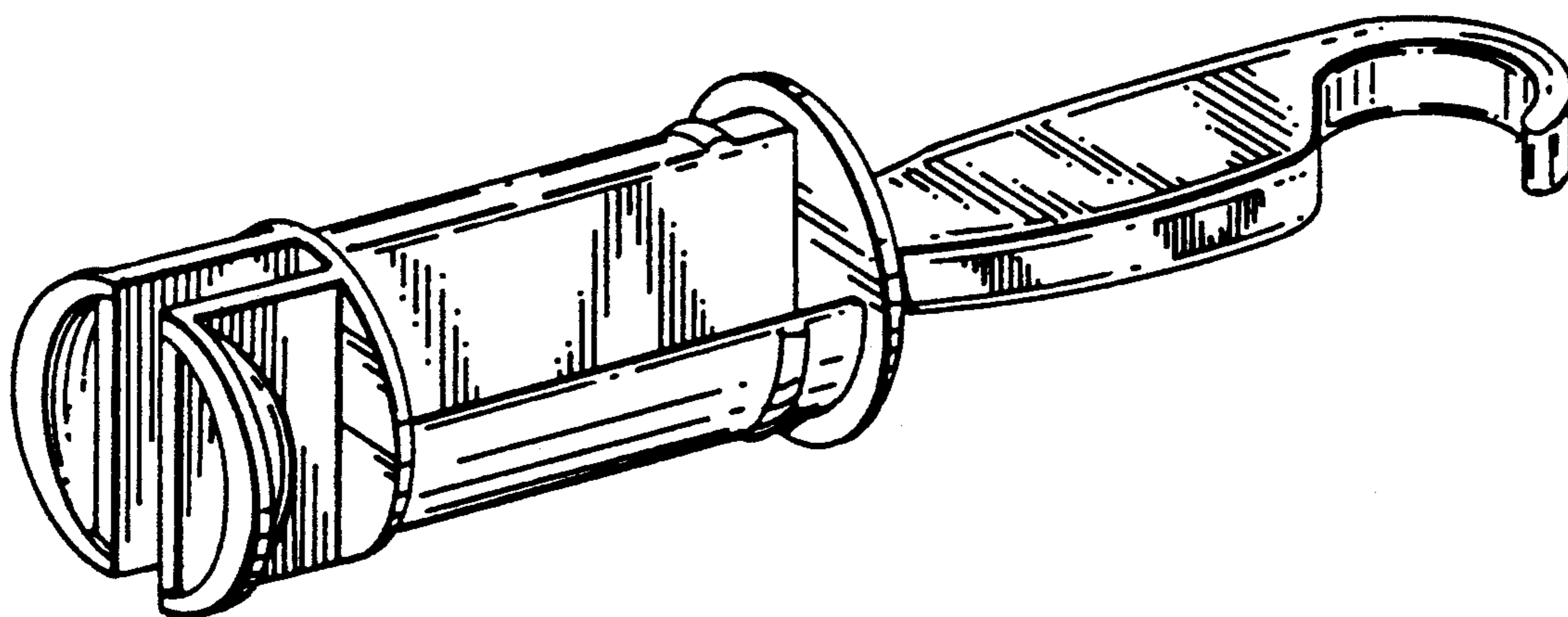
FIG. 1 is a top left front perspective view of a lint roller support and handle unit showing our new design;

FIG. 2 is a top plan view thereof; the bottom plan view being a mirror image;

FIG. 3 is a front elevational view thereof; the rear elevational view, with the exception of the handle, being a mirror image;

FIG. 4 is an enlarged left side elevational view thereof; and,

FIG. 5 is a right side elevational view thereof.



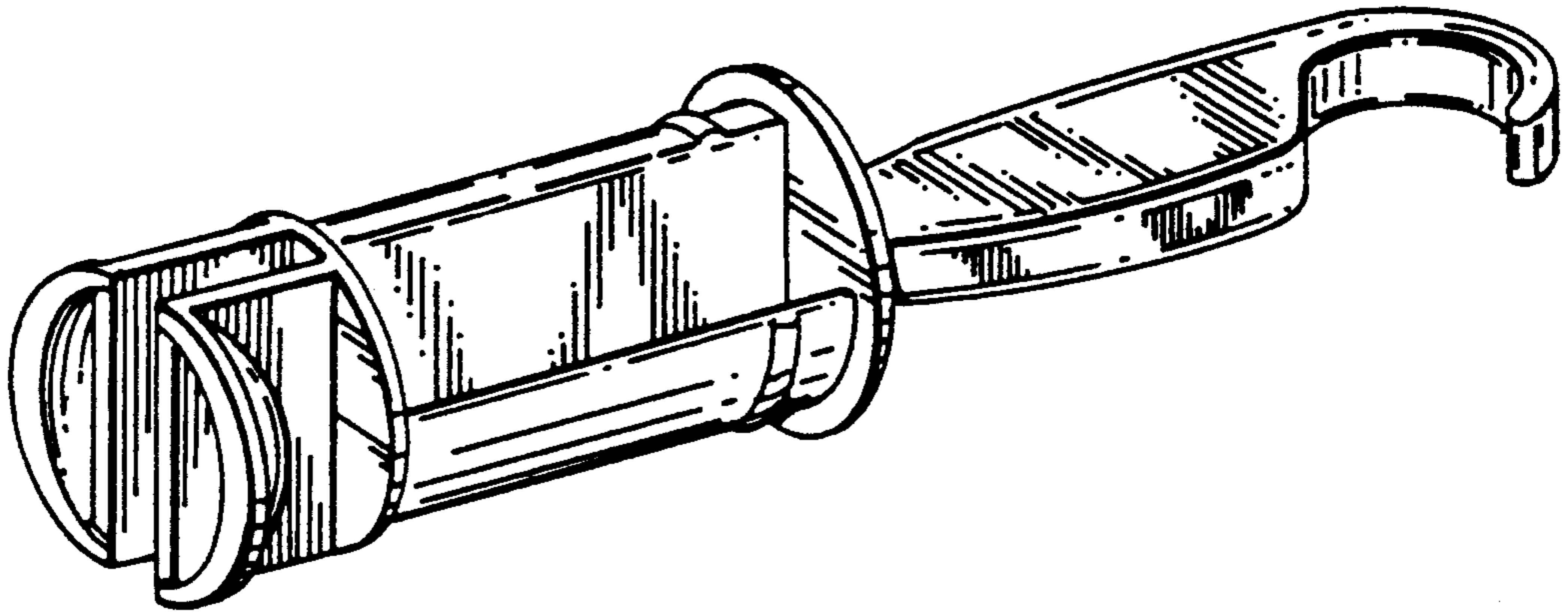


FIG. 1

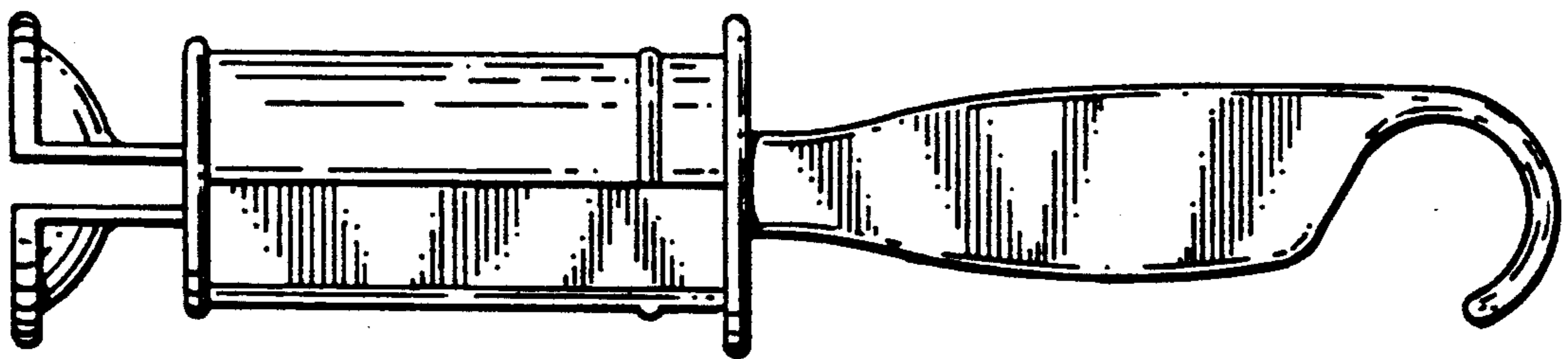


FIG. 2

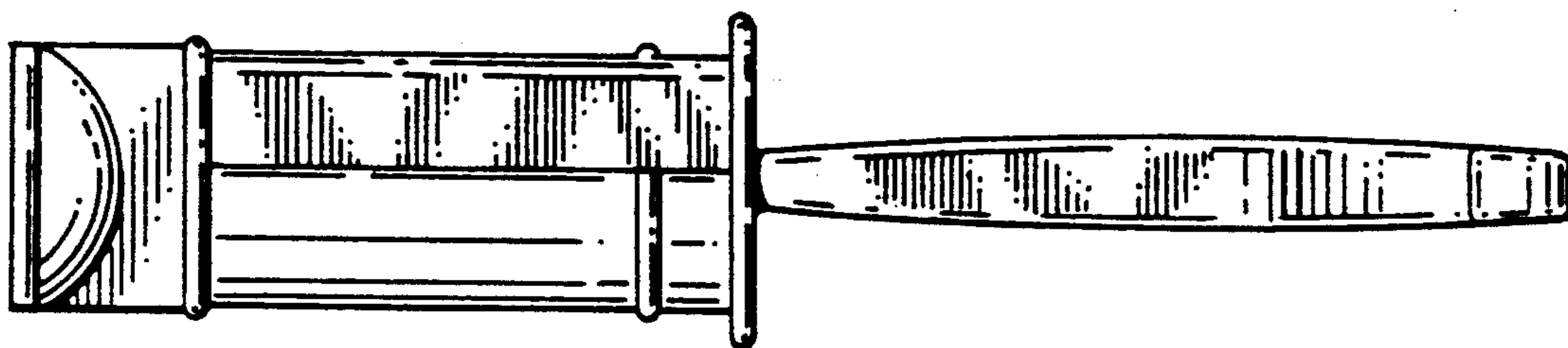


FIG. 3

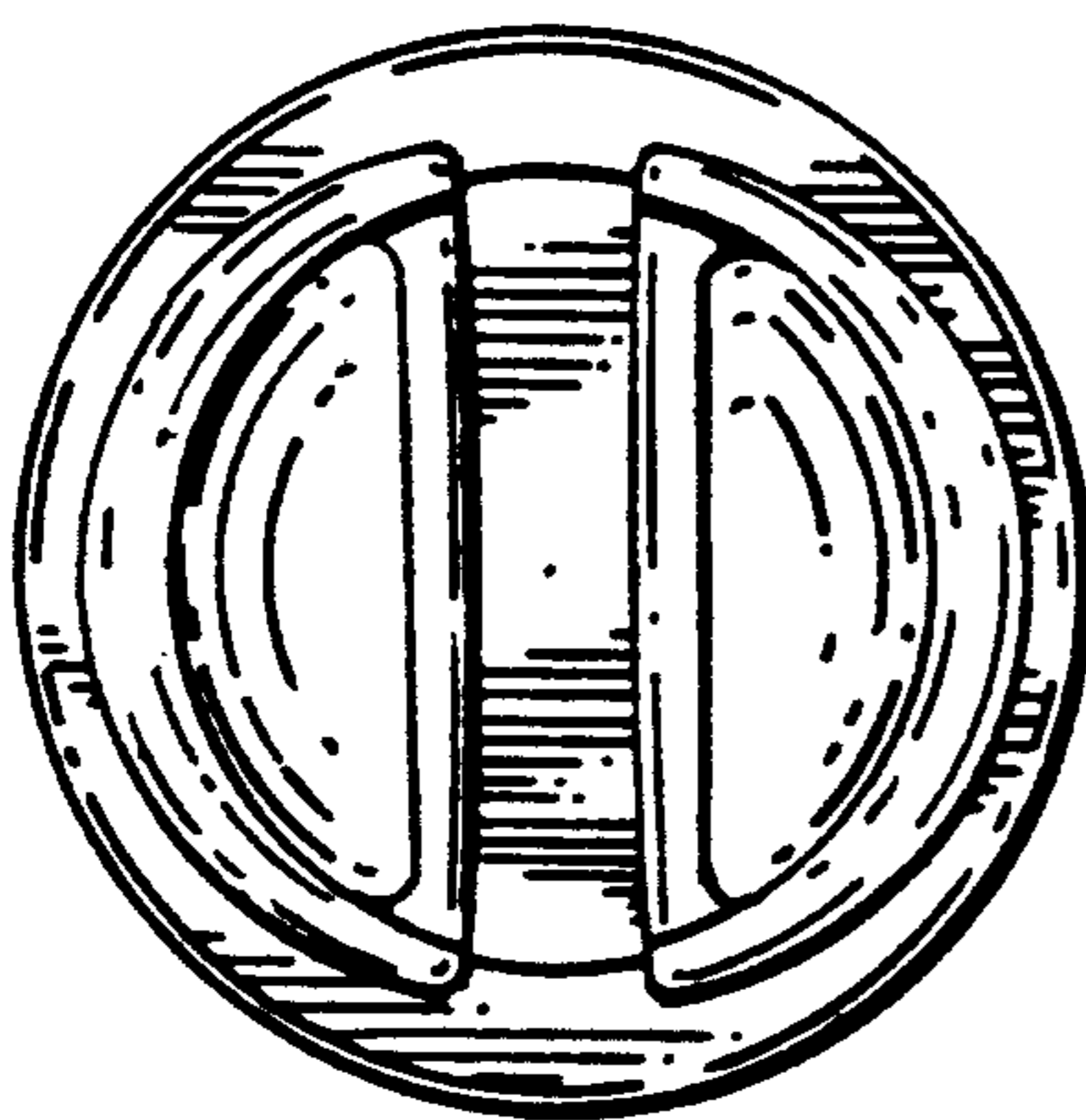


FIG. 4

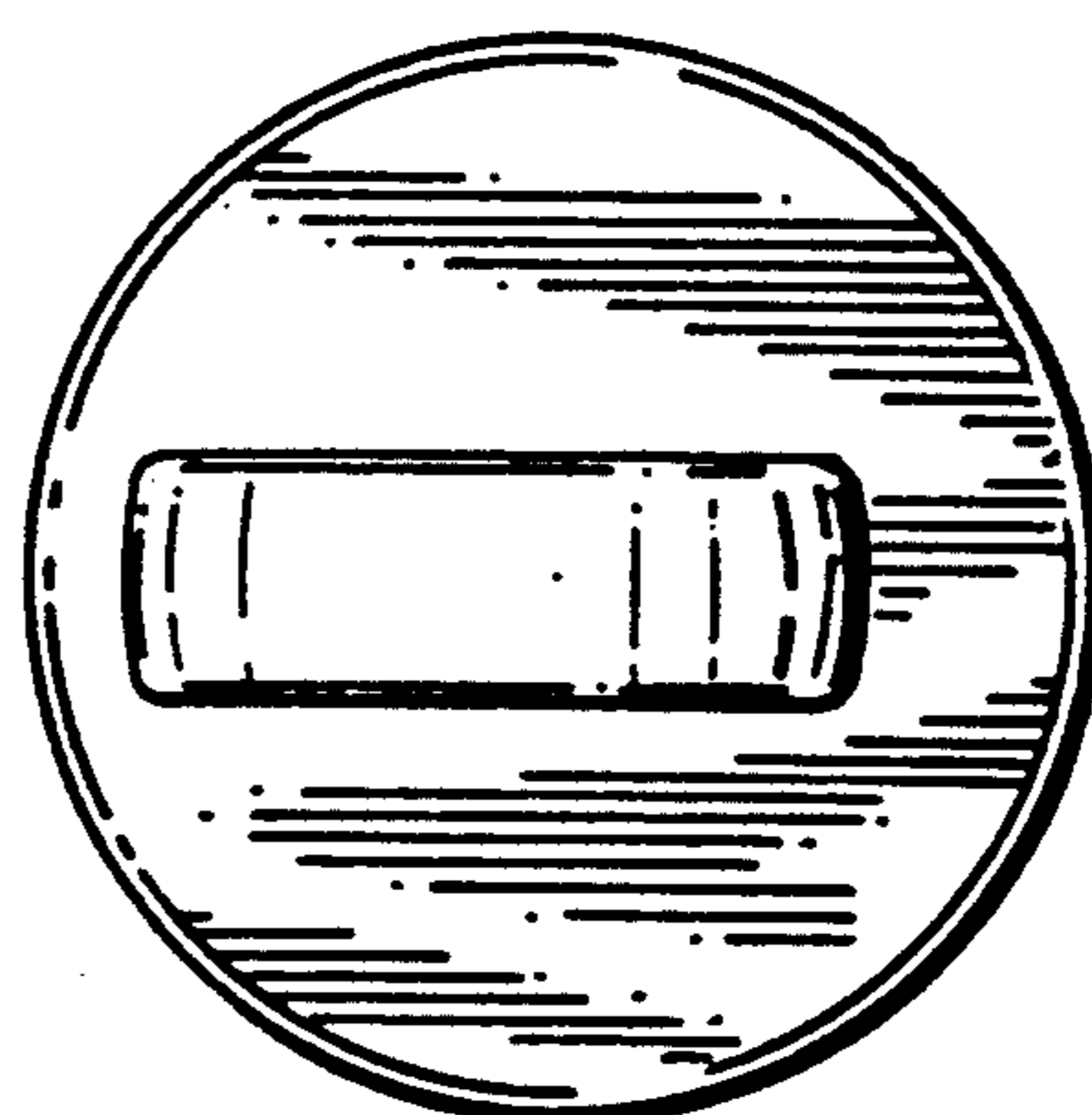


FIG. 5