



US00D341254S

United States Patent [19]

[11] Patent Number: **Des. 341,254**

Knox et al.

[45] Date of Patent: **** Nov. 16, 1993**

[54] GUM BRUSH

[76] Inventors: **Beverley G. Knox; Janet H. Merrill; James E. Morrissey**, all of 235 E. 42nd St., New York, N.Y. 10017; **Rodney D. Cole**, 1180 Avenue of the Americas, New York, N.Y. 11017

[**] Term: **14 Years**

[21] Appl. No.: **513,335**

[22] Filed: **Apr. 23, 1990**

[52] U.S. Cl. **D4/106; D4/136**

[58] Field of Search **D4/100-101, D4/104-114, 119-120, 130, 132, 134, 136, 138, 199; D28/64; 15/143 R, 159 R, 159 A, 160, 167.1-167.3, 176.1**

[56] **References Cited**

U.S. PATENT DOCUMENTS

D. 46,650	11/1914	Lavenson	D4/106
D. 172,693	7/1954	Wibblesman et al.	D4/104
D. 179,441	12/1956	Clemens	D4/104
D. 219,256	11/1970	Dick	D4/104
D. 274,575	7/1984	Kronner	D4/100

Primary Examiner—Wallace R. Burke
Assistant Examiner—Lavone D. Tabor
Attorney, Agent, or Firm—Peter C. Richardson; Paul H. Ginsburg; Robert F. Sheyka

[57] **CLAIM**

The ornamental design for a gum brush, as shown and described.

DESCRIPTION

FIG. 1 is a top plan view of a gum brush showing our new design;
FIG. 2 is a front elevational view thereof, the rear being a mirror image;
FIG. 3 is a right end elevational view thereof;
FIG. 4 is a left end elevational view thereof;
FIG. 5 is a fragmentary sectional view taken along line 5—5 of FIG. 4;
FIG. 6 is a fragmentary sectional view taken along line 6—6 of FIG. 4;
FIG. 7 is a sectional view taken along line 7—7 of FIG. 2; and,
FIG. 8 is a bottom perspective view thereof, the bristles thereto, which are partially shown for ease of illustration, being understood to repeat as indicated in FIGS. 2 and 6.

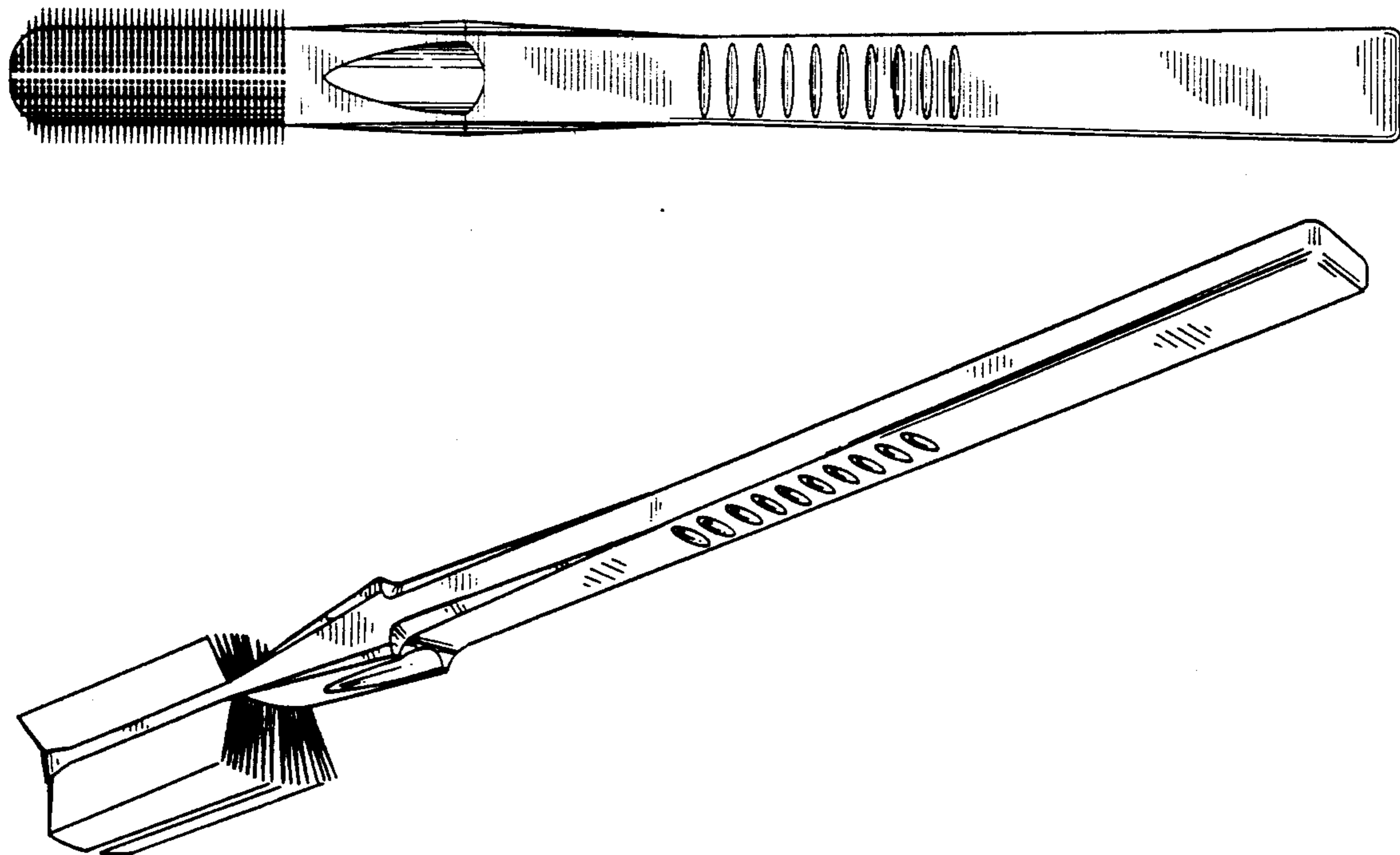


FIG. 1

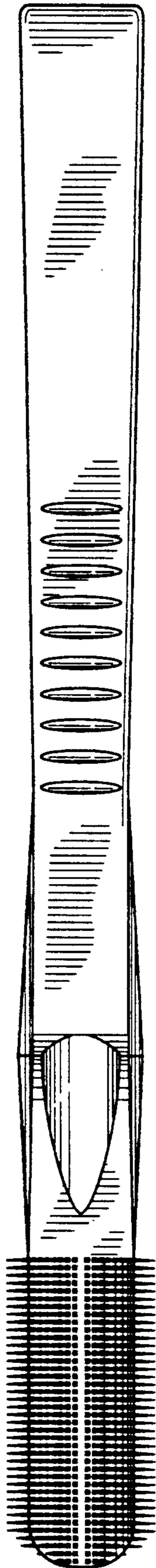


FIG. 2

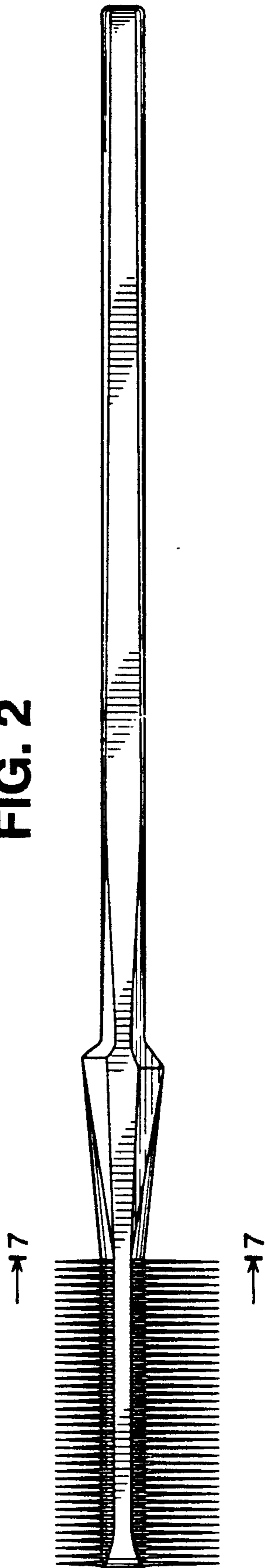


FIG. 3

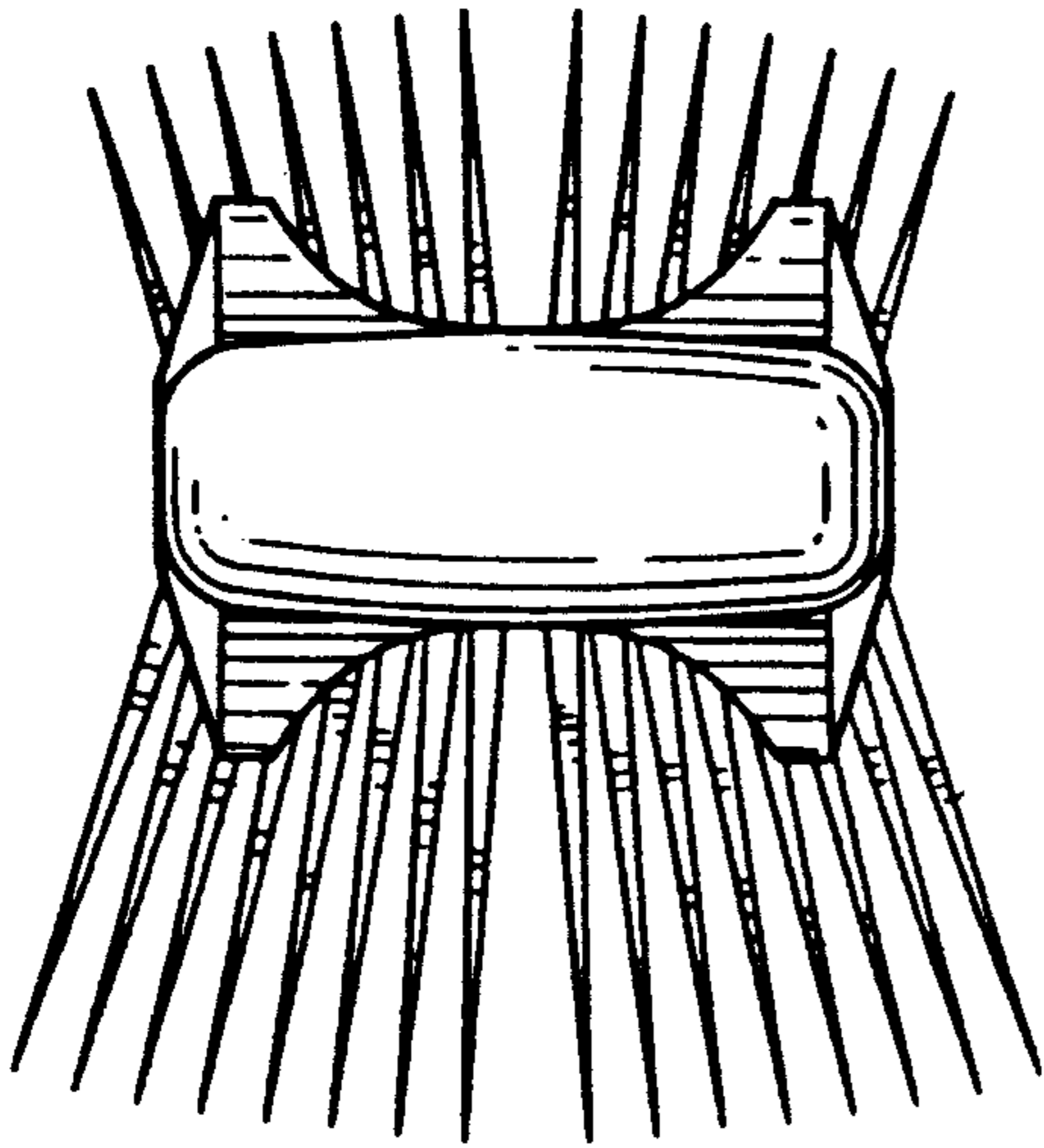


FIG. 4

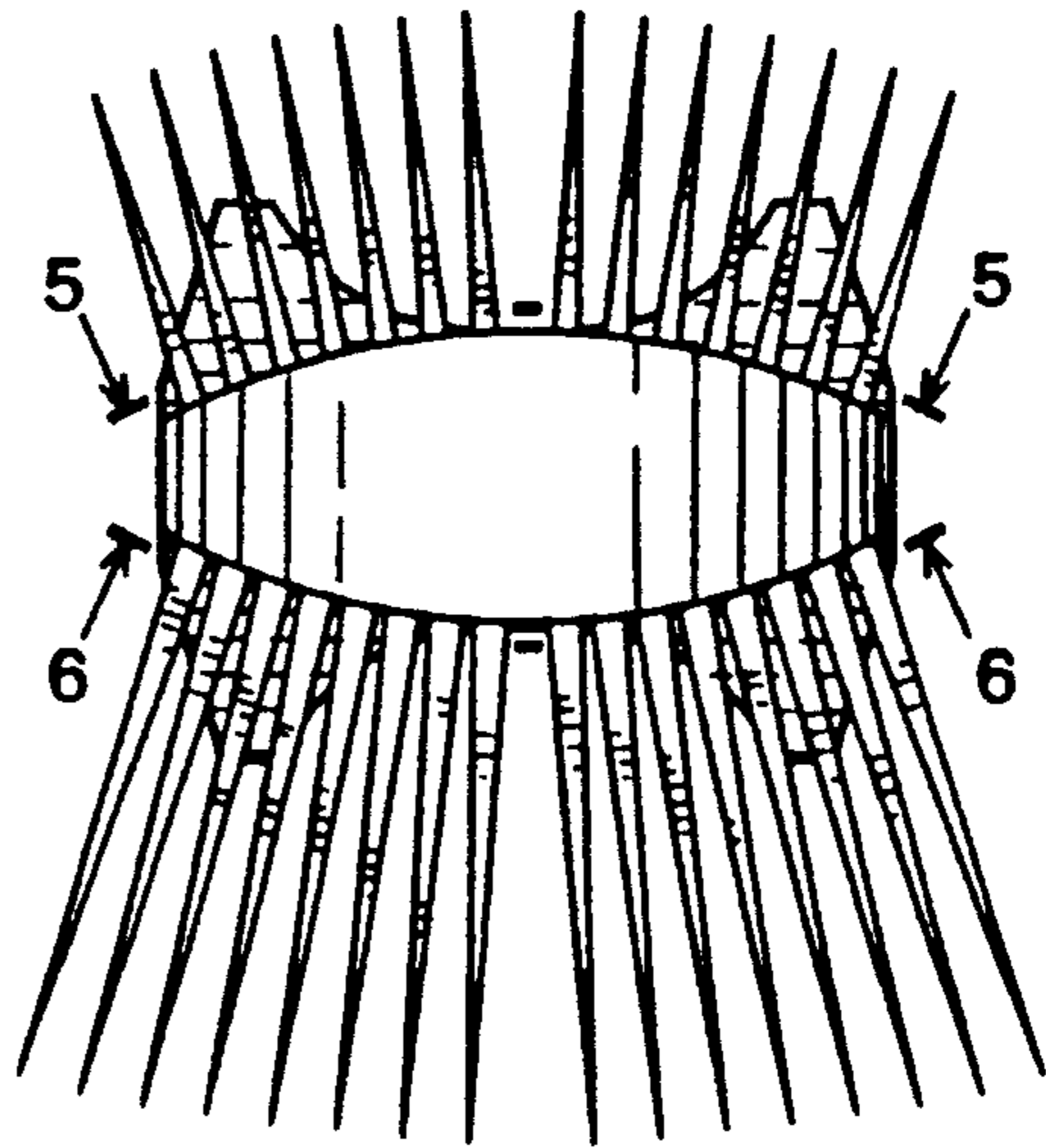


FIG. 5

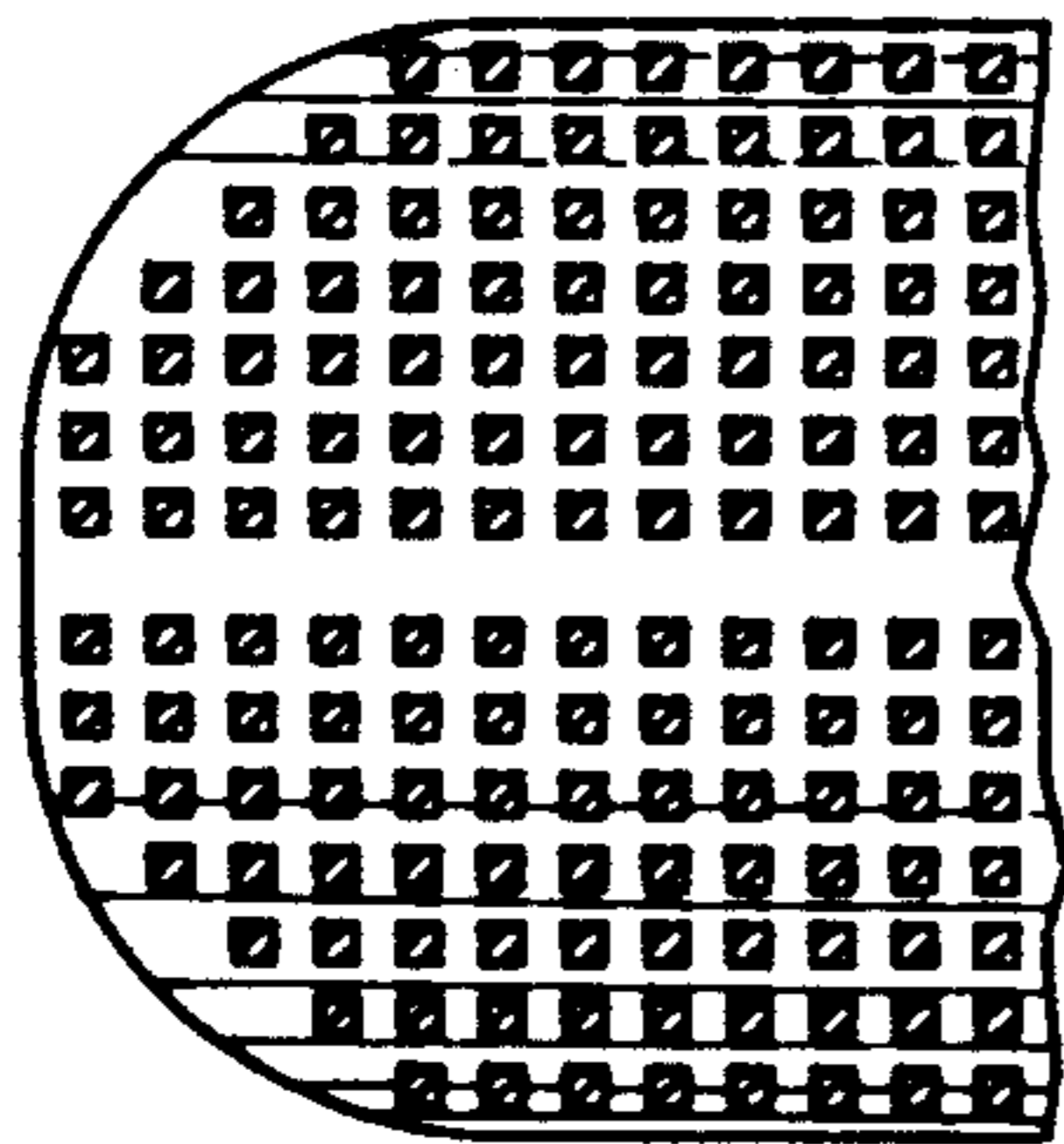


FIG. 6

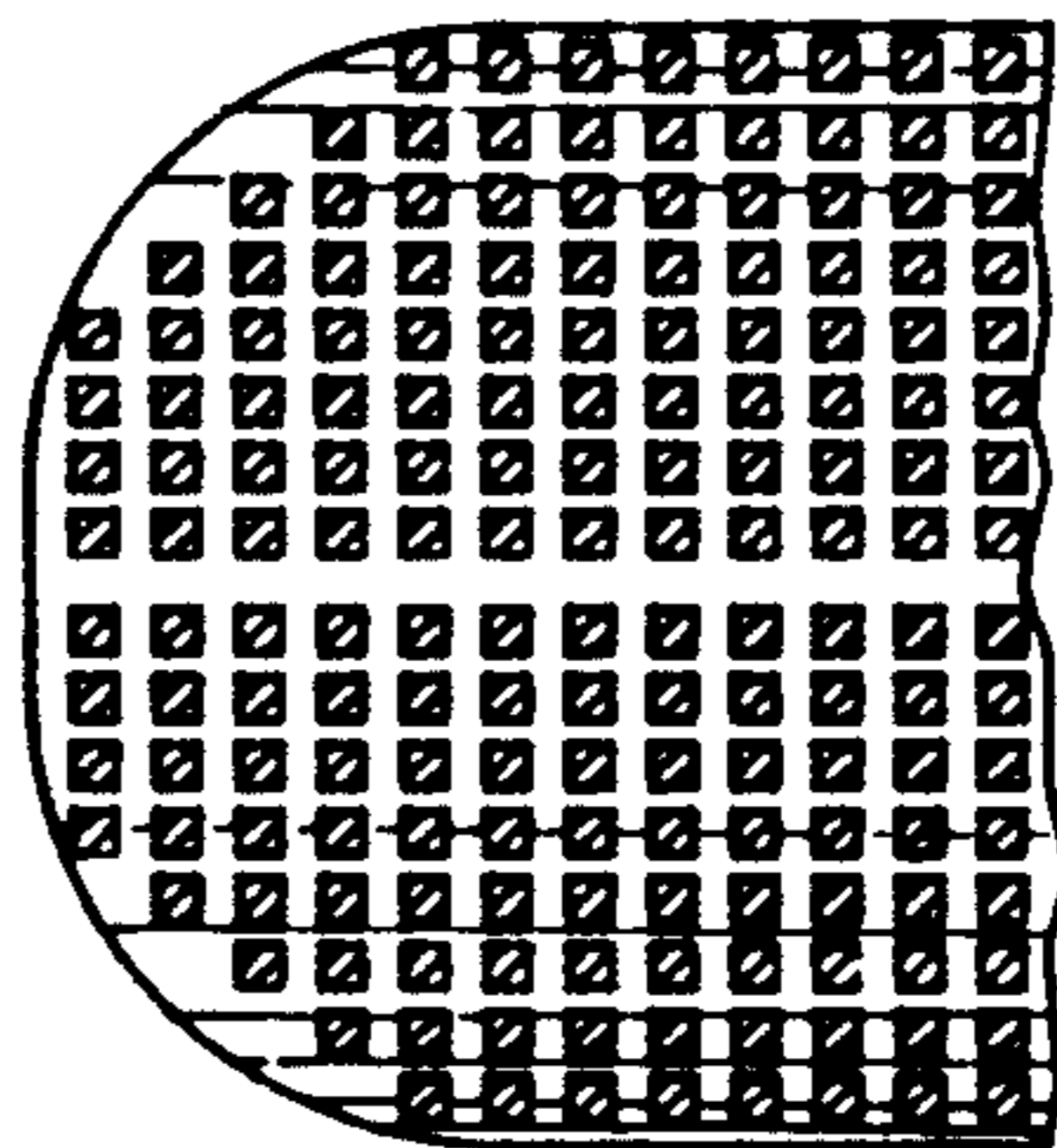
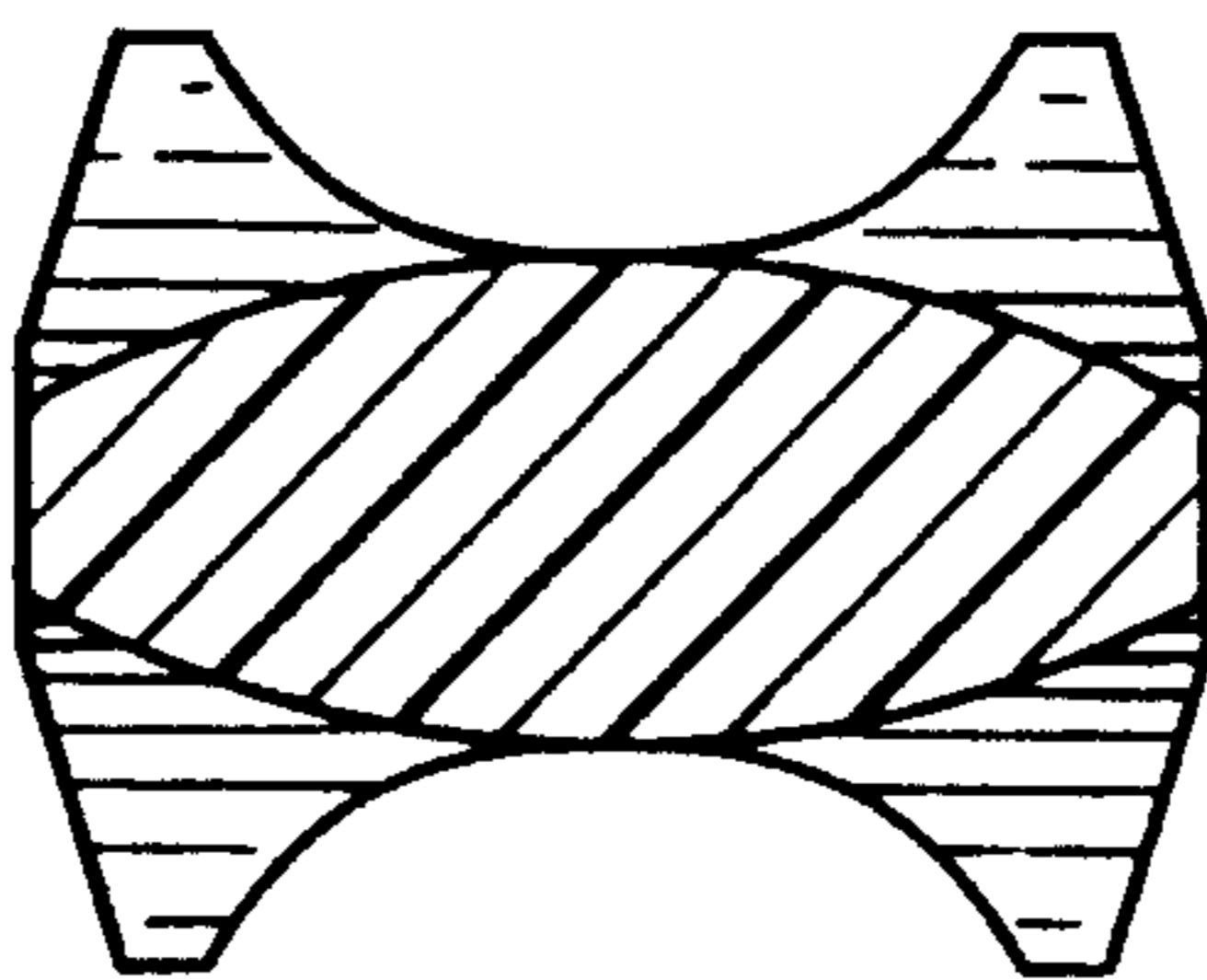


FIG. 7



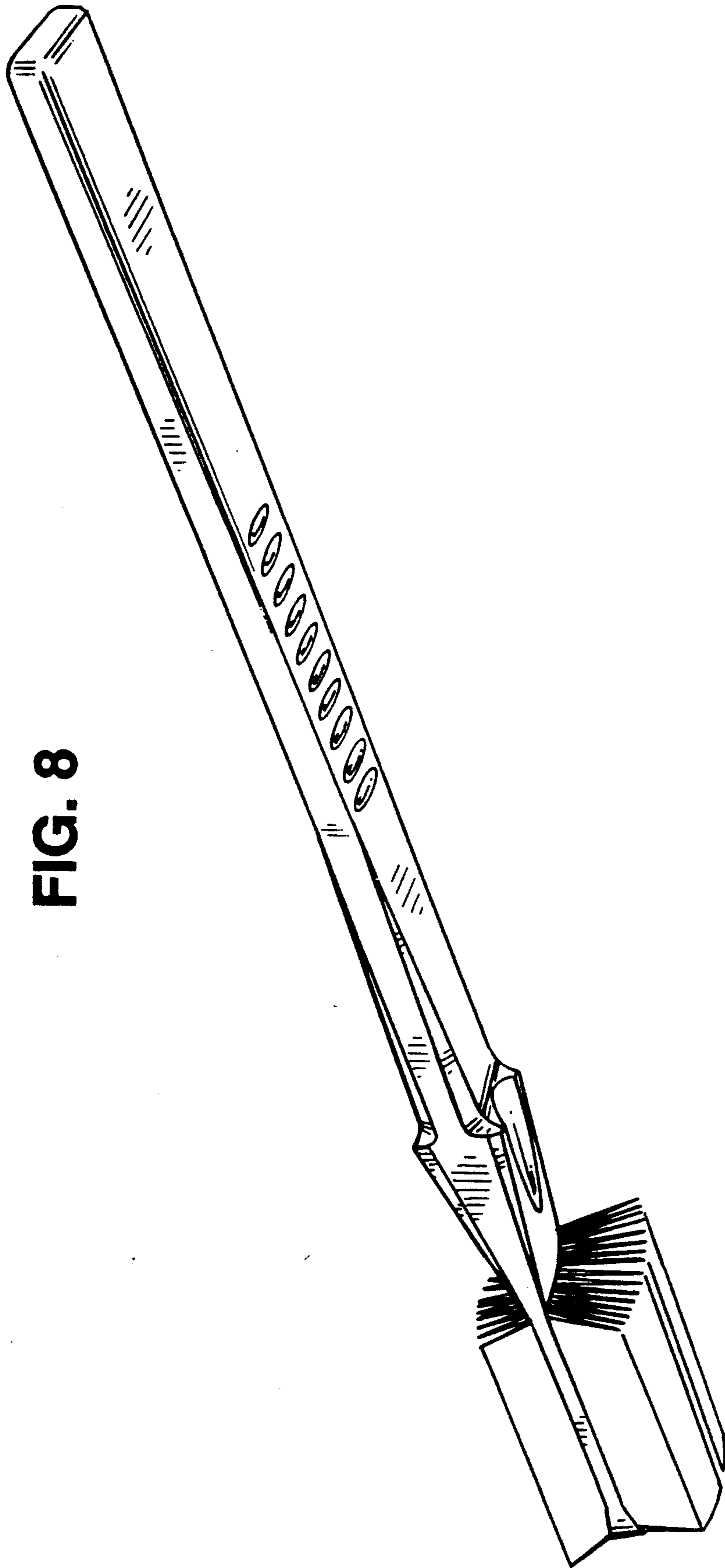


FIG. 8