



US00D341248S

# United States Patent [19]

Kataoka et al.

[11] Patent Number: **Des. 341,248**

[45] Date of Patent: **\*\* Nov. 16, 1993**

- [54] CONTAINER FOR PROCESSED PHOTOGRAPHIC FILM
- [75] Inventors: **Hideaki Kataoka; Tomoyuki Takahashi**, both of Kanagawa, Japan
- [73] Assignee: **Fuji Photo Film Co., Ltd.**, Kanagawa, Japan
- [\*\*] Term: **14 Years**
- [21] Appl. No.: **839,899**
- [22] Filed: **Feb. 25, 1992**

- [30] Foreign Application Priority Data
- Oct. 4, 1991 [JP] Japan ..... 3-30134
- [52] U.S. Cl. .... **D3/35; D3/301; D3/74; D3/99**
- [58] Field of Search ..... **D3/30.1, 33, 35, 74, D3/94; D14/121; D16/250; D19/76, 90, 75; 206/387, 389, 408, 455**

- [56] References Cited
- U.S. PATENT DOCUMENTS
- D. 284,866 7/1986 Raymond ..... D16/250
- D. 293,279 12/1987 Evans ..... D19/76
- D. 304,461 11/1989 Foran et al. .... D19/90
- D. 326,784 7/1992 Berry et al. .... D16/250
- D. 330,548 10/1992 Takahashi ..... D16/250
- D. 330,550 10/1992 Takahashi ..... D14/121
- 4,002,238 1/1977 Cameron et al. .... 206/408
- 4,042,107 8/1977 Kendig ..... 206/408
- 4,091,924 5/1978 Newton ..... 206/389
- 4,302,102 11/1981 Stark et al. .... 206/408

4,878,581 11/1989 Beery ..... 206/455

### FOREIGN PATENT DOCUMENTS

0011419 of 1909 United Kingdom ..... 206/408

*Primary Examiner*—A. Hugo Word  
*Assistant Examiner*—Celia A. Murphy  
*Attorney, Agent, or Firm*—Young & Thompson

### [57] CLAIM

The ornamental design for a container for processed photographic film, as shown and described.

### DESCRIPTION

FIG. 1 is a top, front and side perspective view of a container for processed photographic film, showing our new design;  
 FIG. 2 is a front elevational view thereof;  
 FIG. 3 is a rear elevational view thereof;  
 FIG. 4 is a top plan view thereof;  
 FIG. 5 is a bottom plan view thereof;  
 FIG. 6 is a side elevational view thereof from the left of FIG. 2;  
 FIG. 7 is a side elevational view thereof from the right of FIG. 2;  
 FIG. 8 is a view similar to FIG. 1 but showing a first lid thereof opened;  
 FIG. 9 is a view similar to FIGS. 1 and 8 but with a second lid thereof opened, the first lid being pivotally mounted on the second lid;  
 FIG. 10 is a top plan view of FIG. 9; and,  
 FIG. 11 is a perspective view similar to FIG. 9 but taken from the diagonally opposite side thereof.

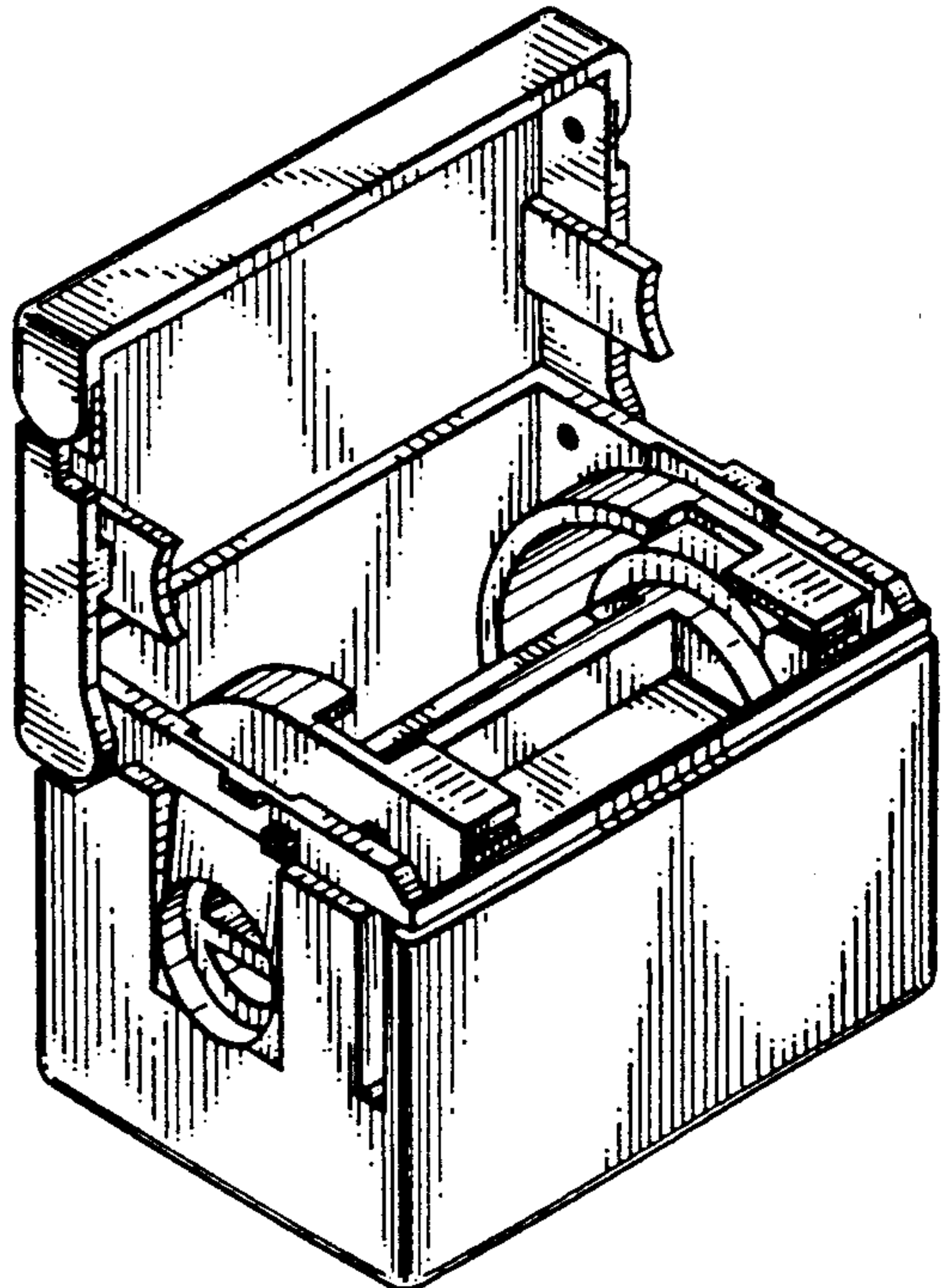
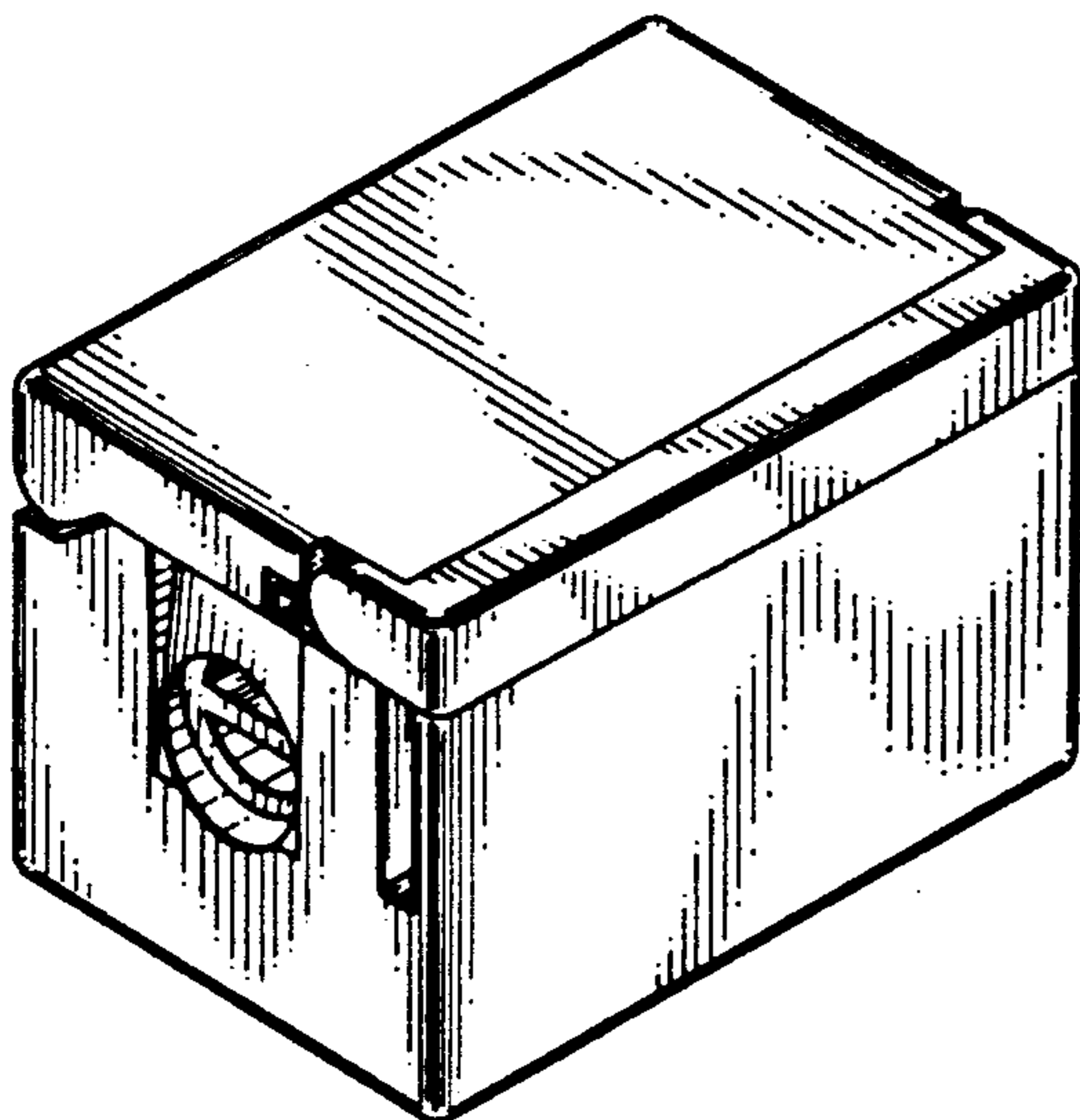


FIG. 1

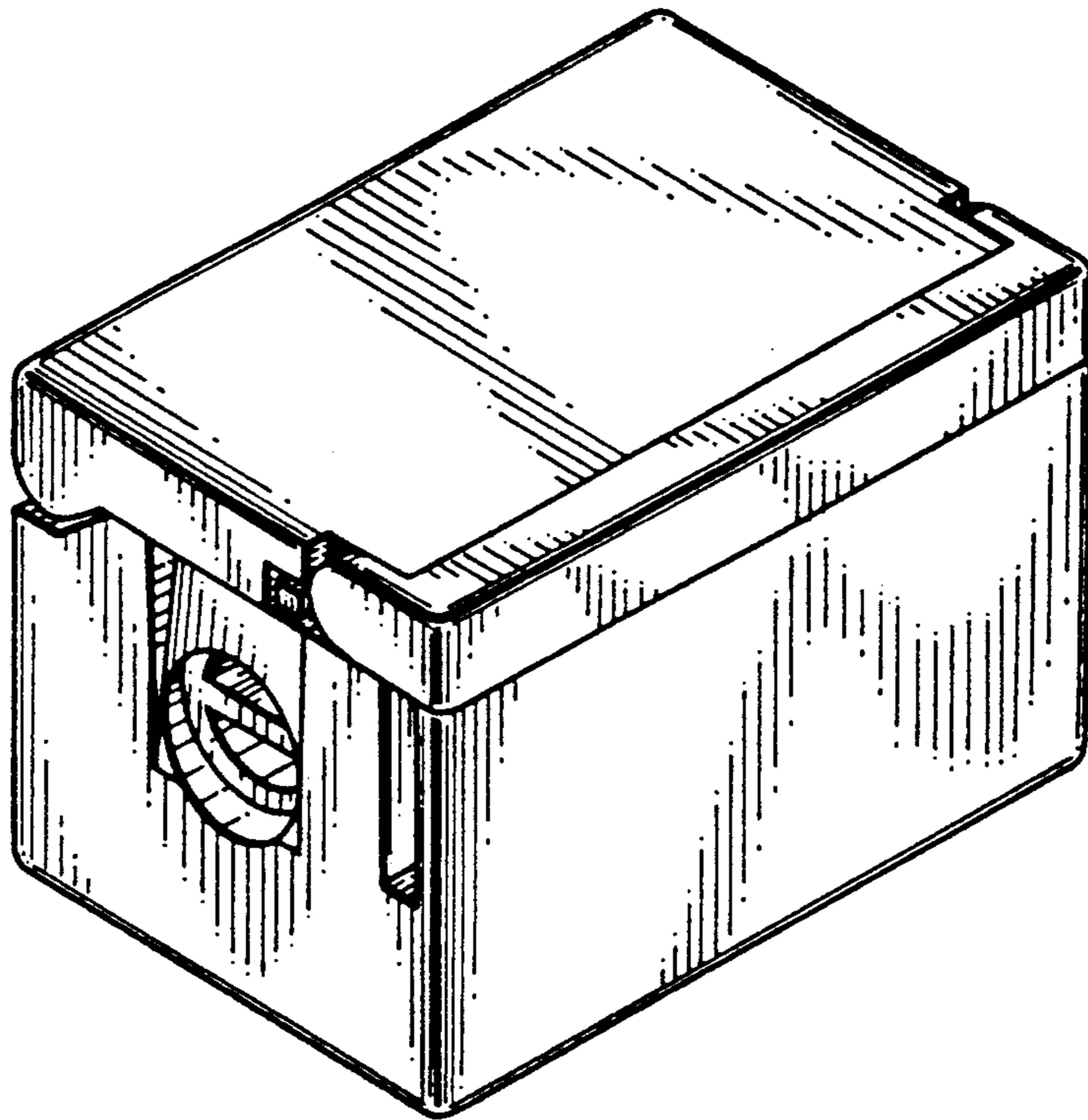


FIG. 2

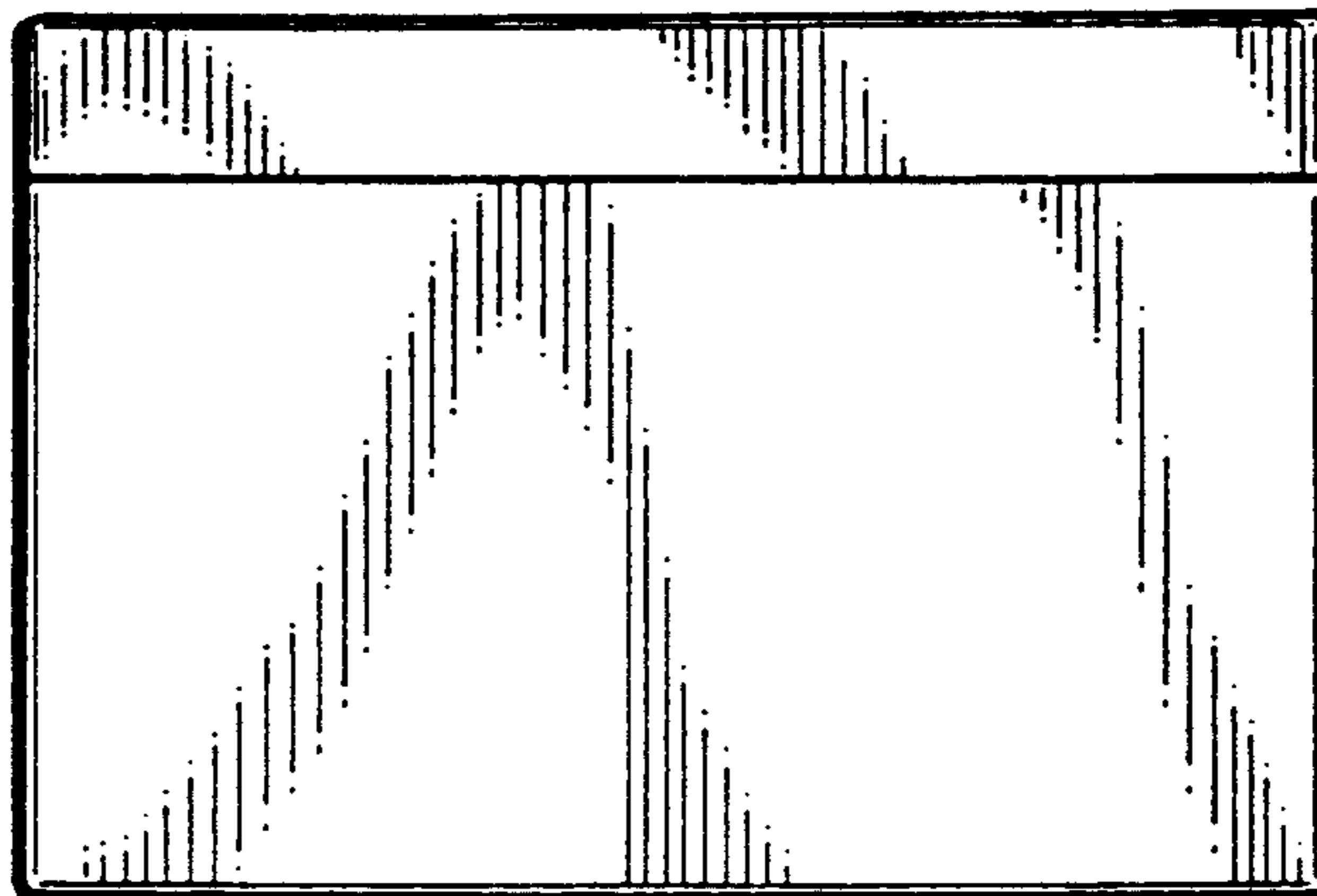


FIG. 3

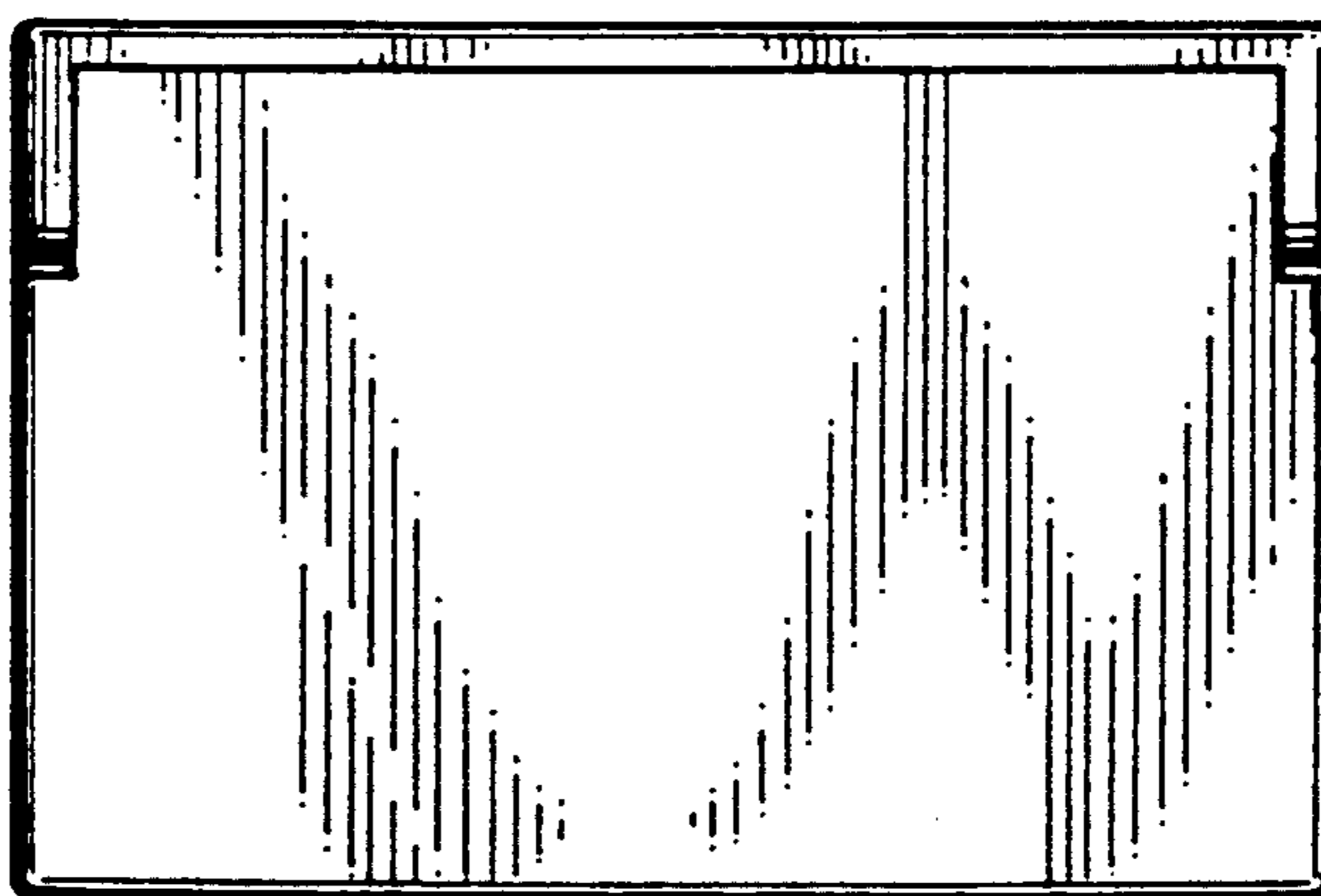


FIG. 4

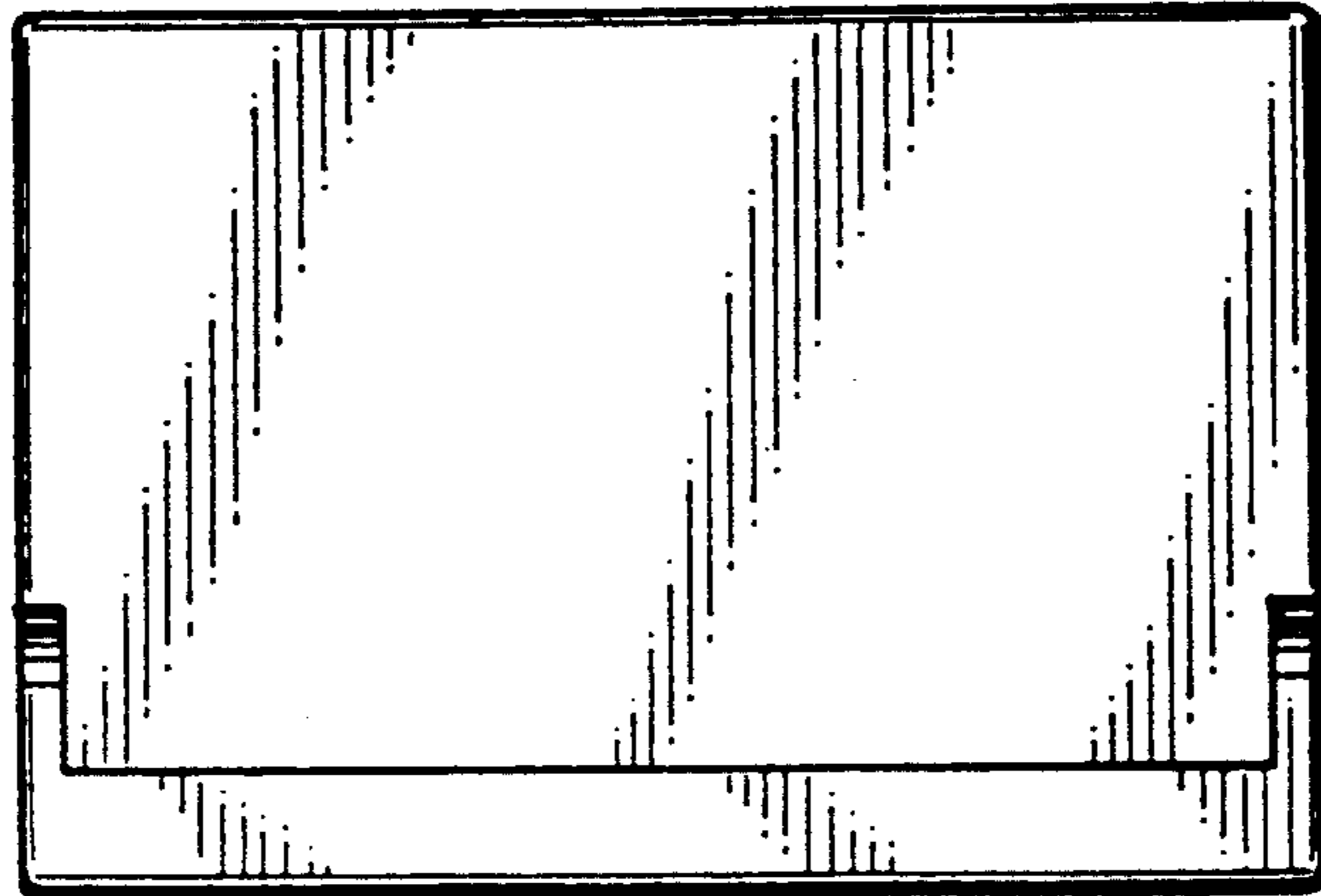


FIG. 5

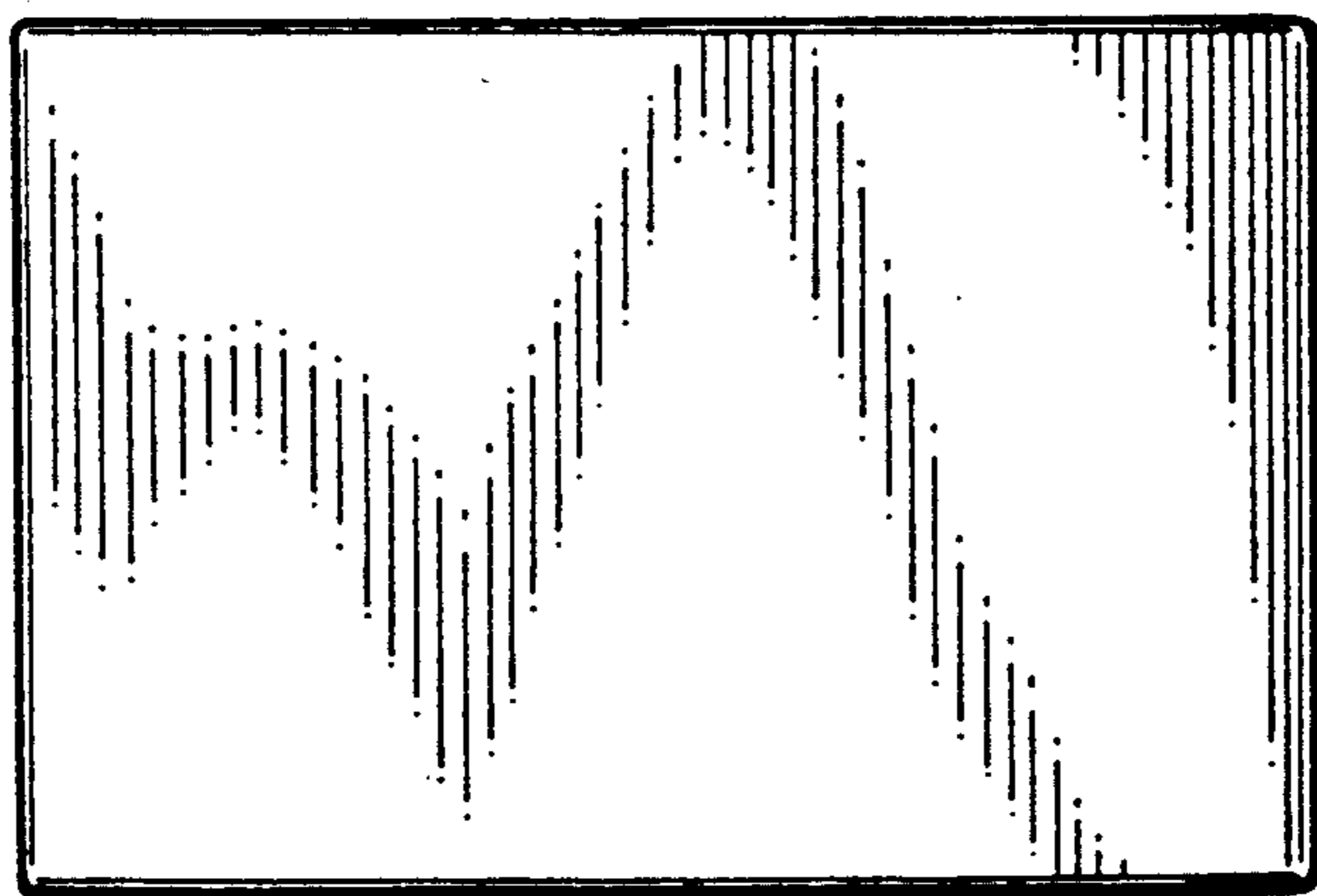


FIG. 6

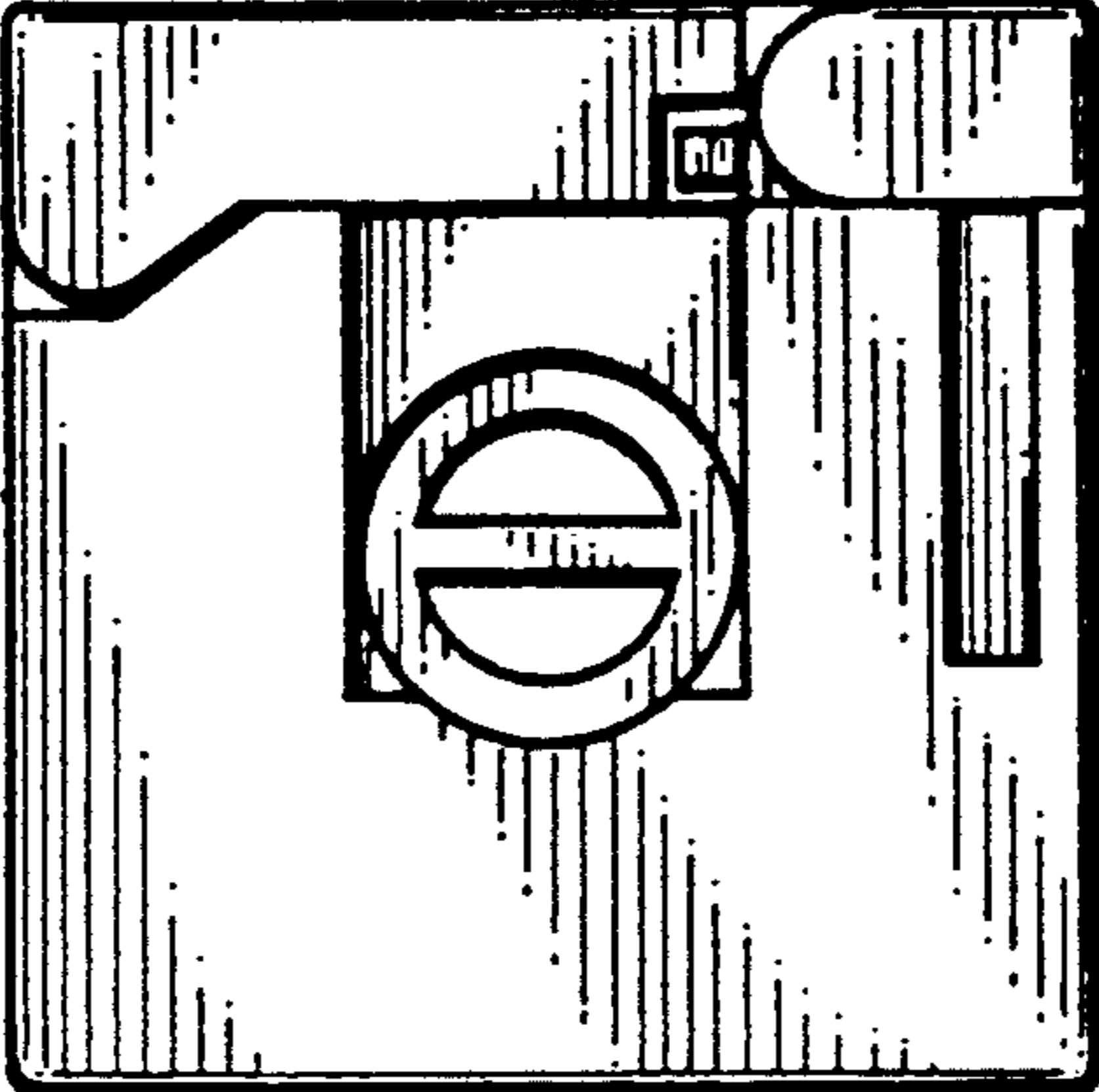


FIG. 7

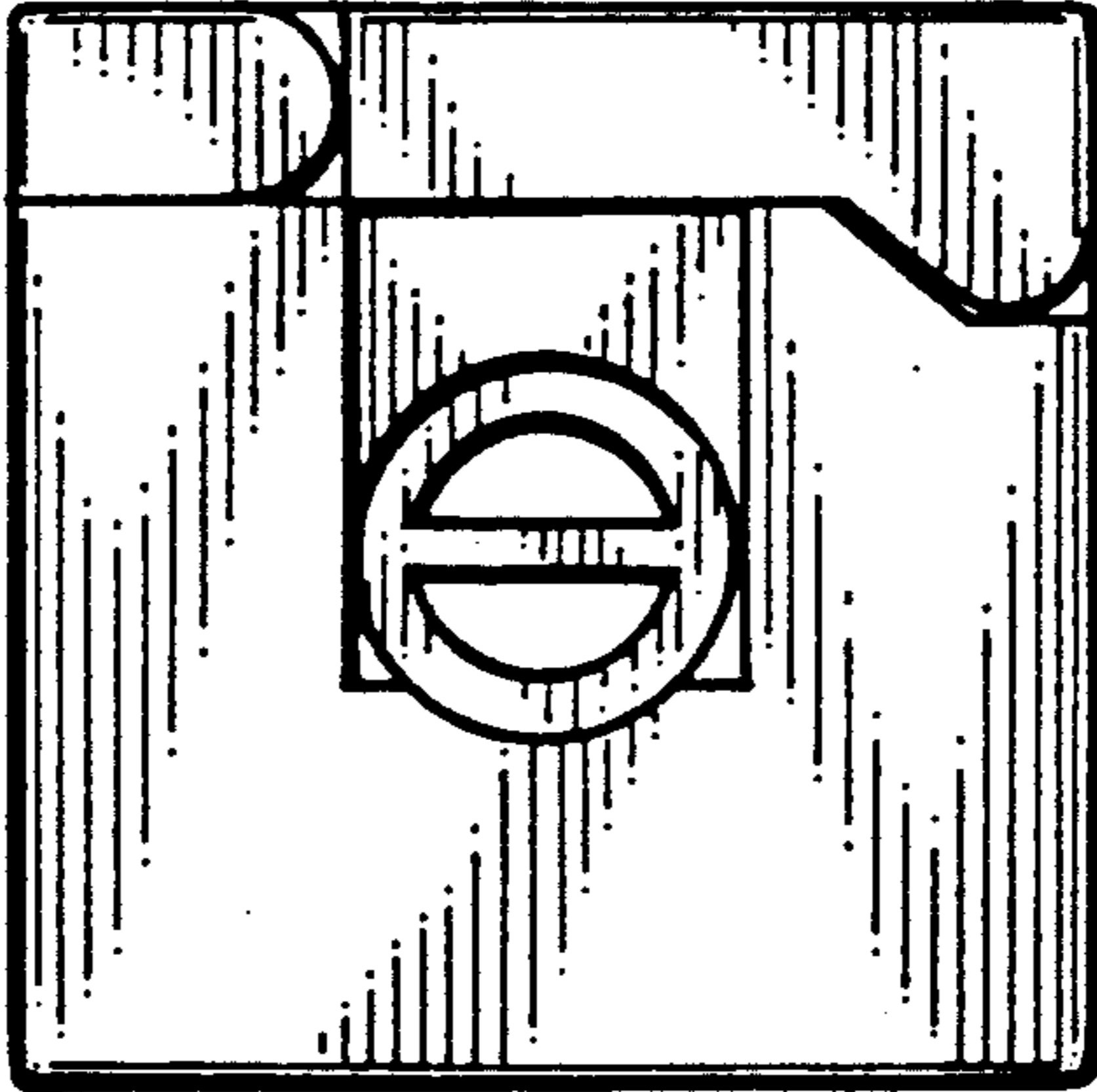


FIG. 8

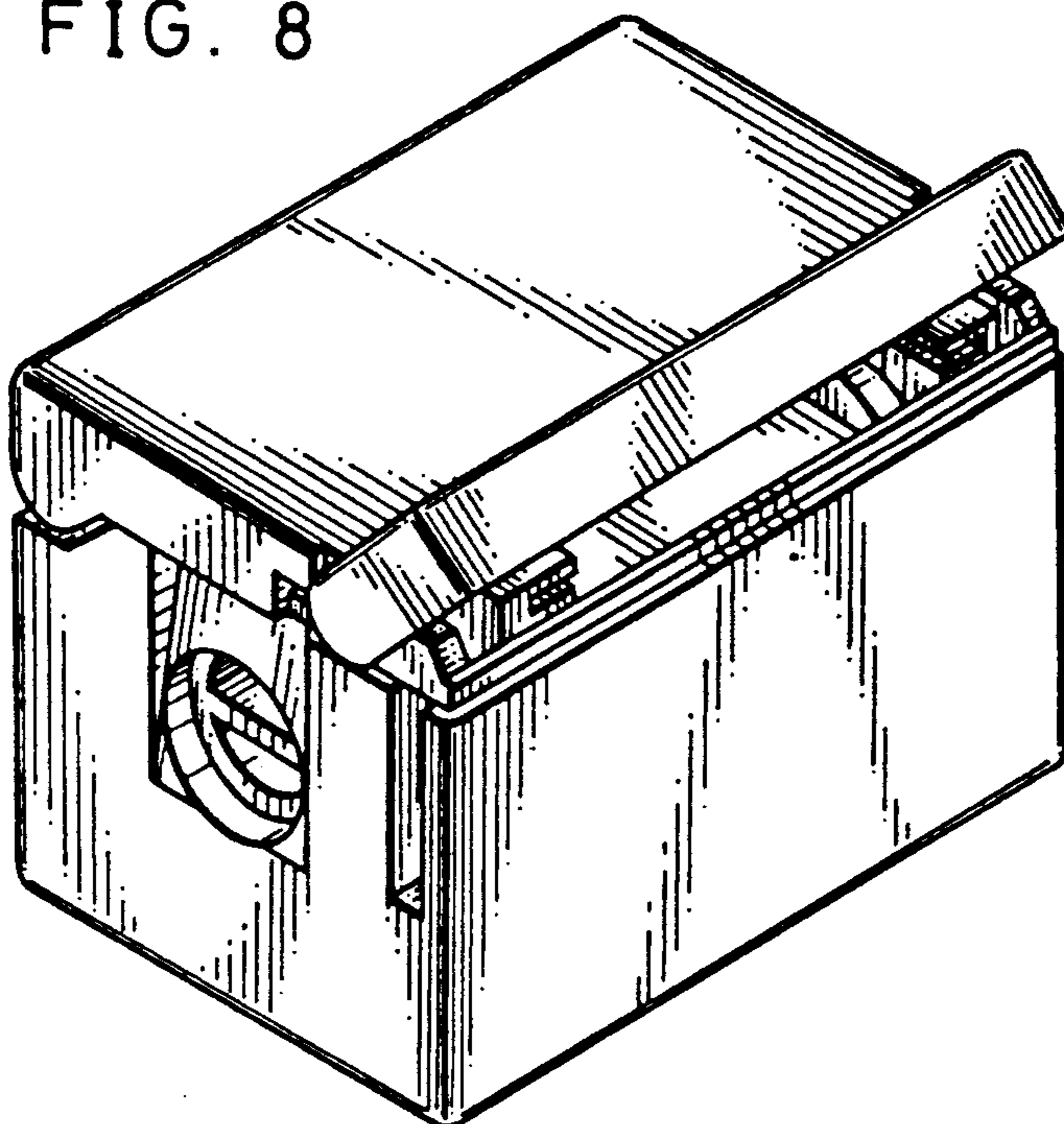


FIG. 9

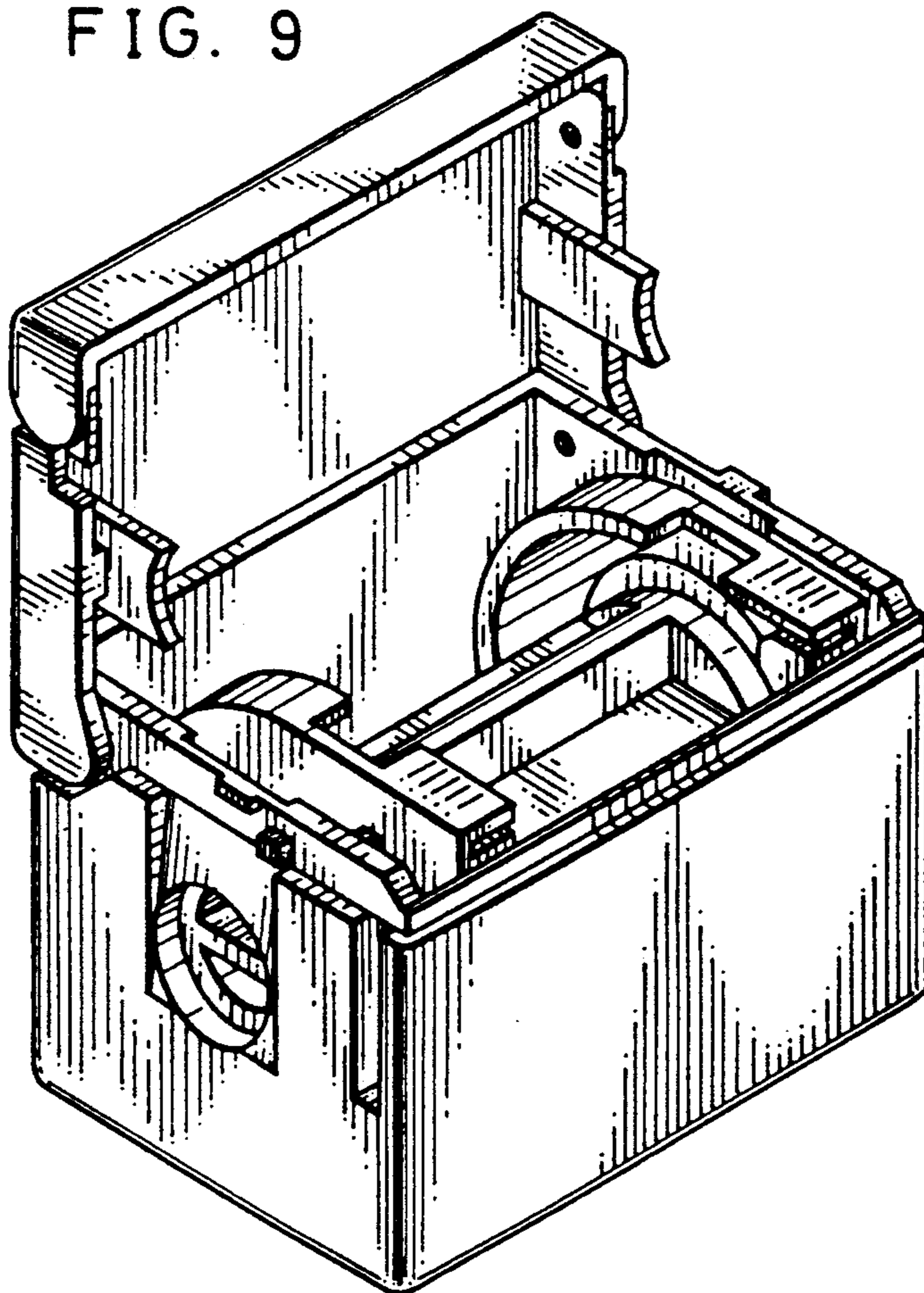


FIG. 10

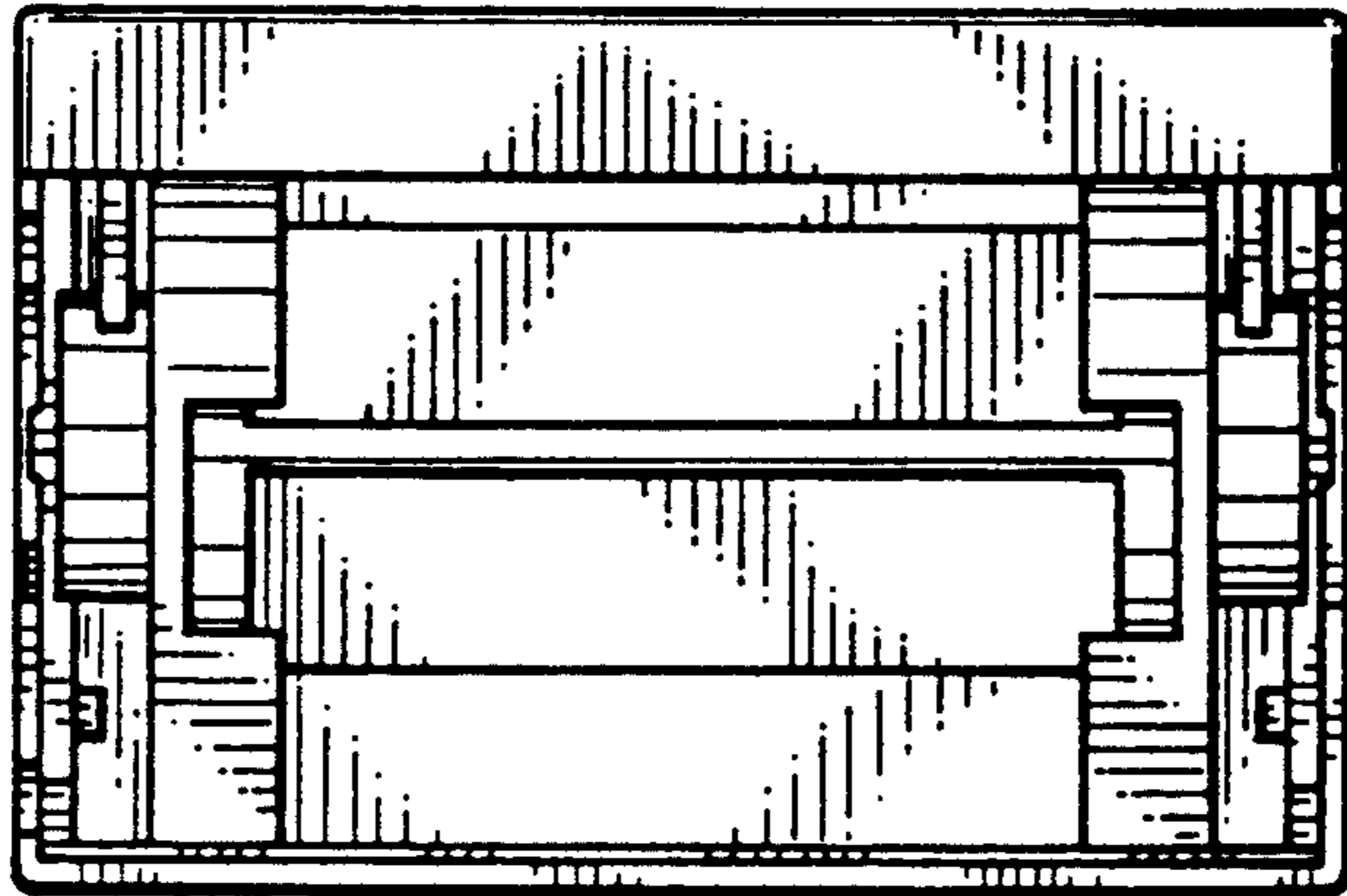


FIG. 11

