



US00D341242S

United States Patent [19]

Thorby

[11] Patent Number: **Des. 341,242**

[45] Date of Patent: **** Nov. 9, 1993**

[54] CRANE

[76] Inventor: **Donald F. Thorby**, Burrawong Park, Binnaway, New South Wales 2395, Australia

[**] Term: **14 Years**

[21] Appl. No.: **795,651**

[22] Filed: **Nov. 20, 1991**

[30] **Foreign Application Priority Data**

May 21, 1991 [AU] Australia 1417/91

[52] U.S. Cl. **D34/33; D34/28**

[58] Field of Search **D34/28, 33, 34; 254/124, 139.1, 8 B**

[56] **References Cited**

U.S. PATENT DOCUMENTS

3,521,860 7/1970 Zehrun, Jr. et al. 254/124

4,508,233 4/1985 Helms D34/33

4,669,703 6/1987 Hawkins et al. 254/124
4,899,986 2/1990 Tweedy 254/124

OTHER PUBLICATIONS

Air Technical Industries Flyer, May 1983, pp. 1 and 15.

Primary Examiner—Kay H. Chin

Attorney, Agent, or Firm—Ladas & Parry

[57] **CLAIM**

The ornamental design for a crane, as shown and described.

DESCRIPTION

FIG. 1 is a perspective view of a crane showing my new design;

FIG. 2 is a right side elevational view;

FIG. 3 is a top plan view thereof;

FIG. 4 is a bottom plan view thereof;

FIG. 5 is a rear end view;

FIG. 6 is a left side elevational view; and,

FIG. 7 is a front end view.

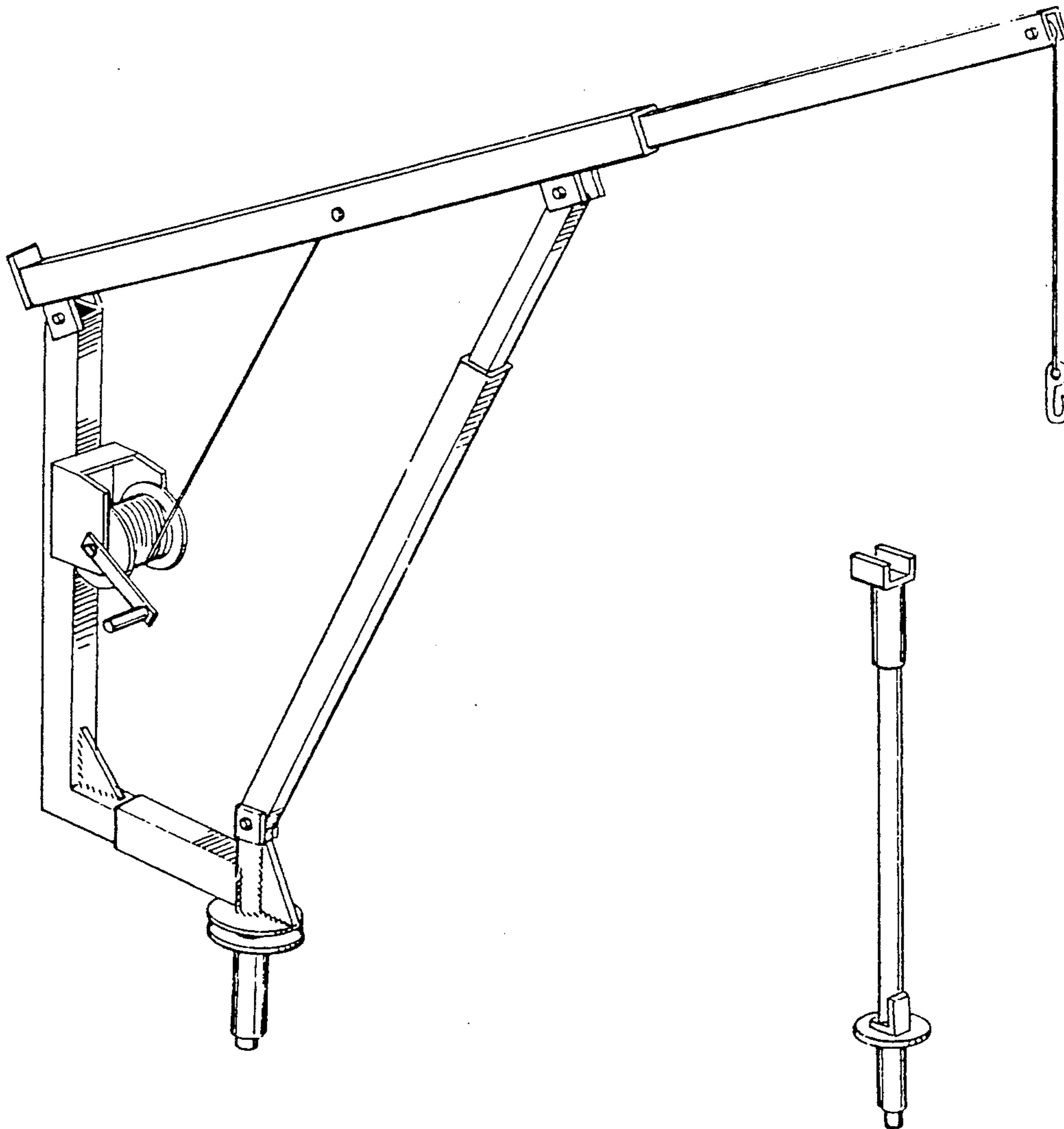
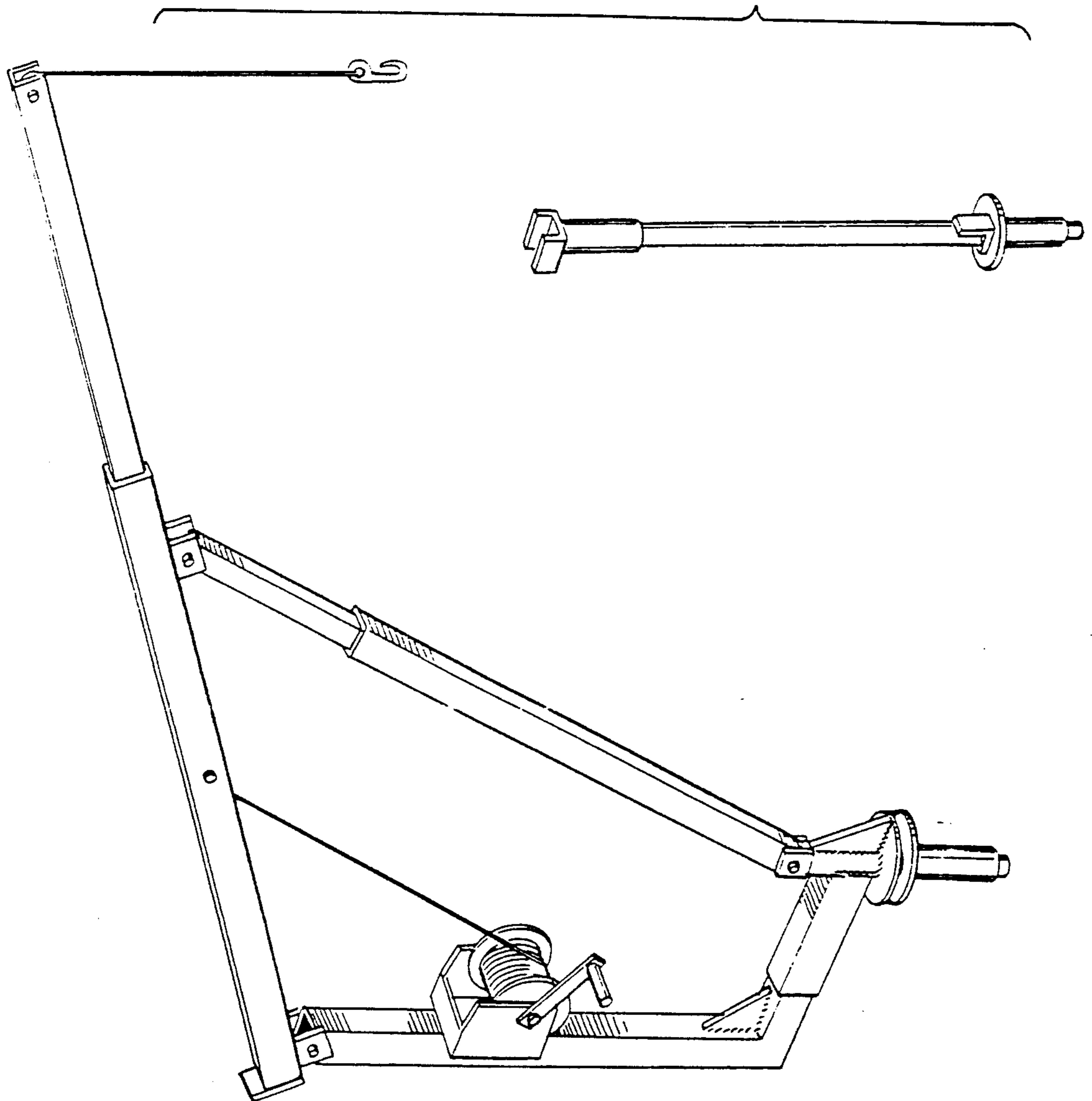
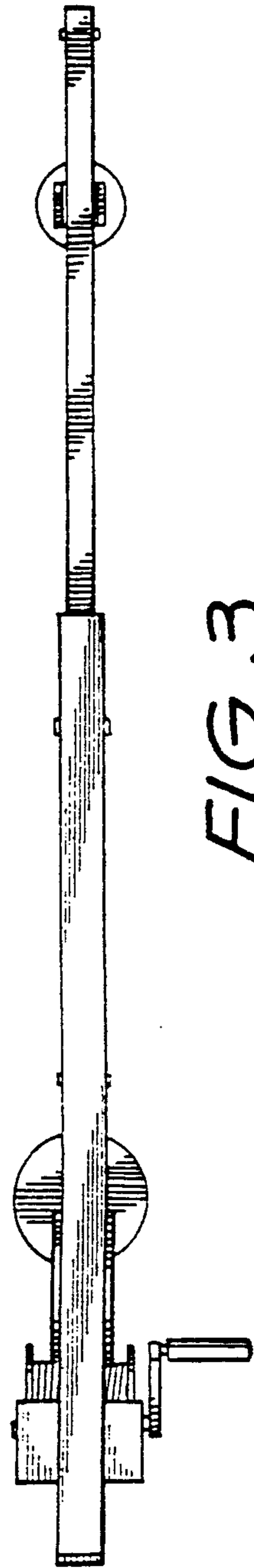
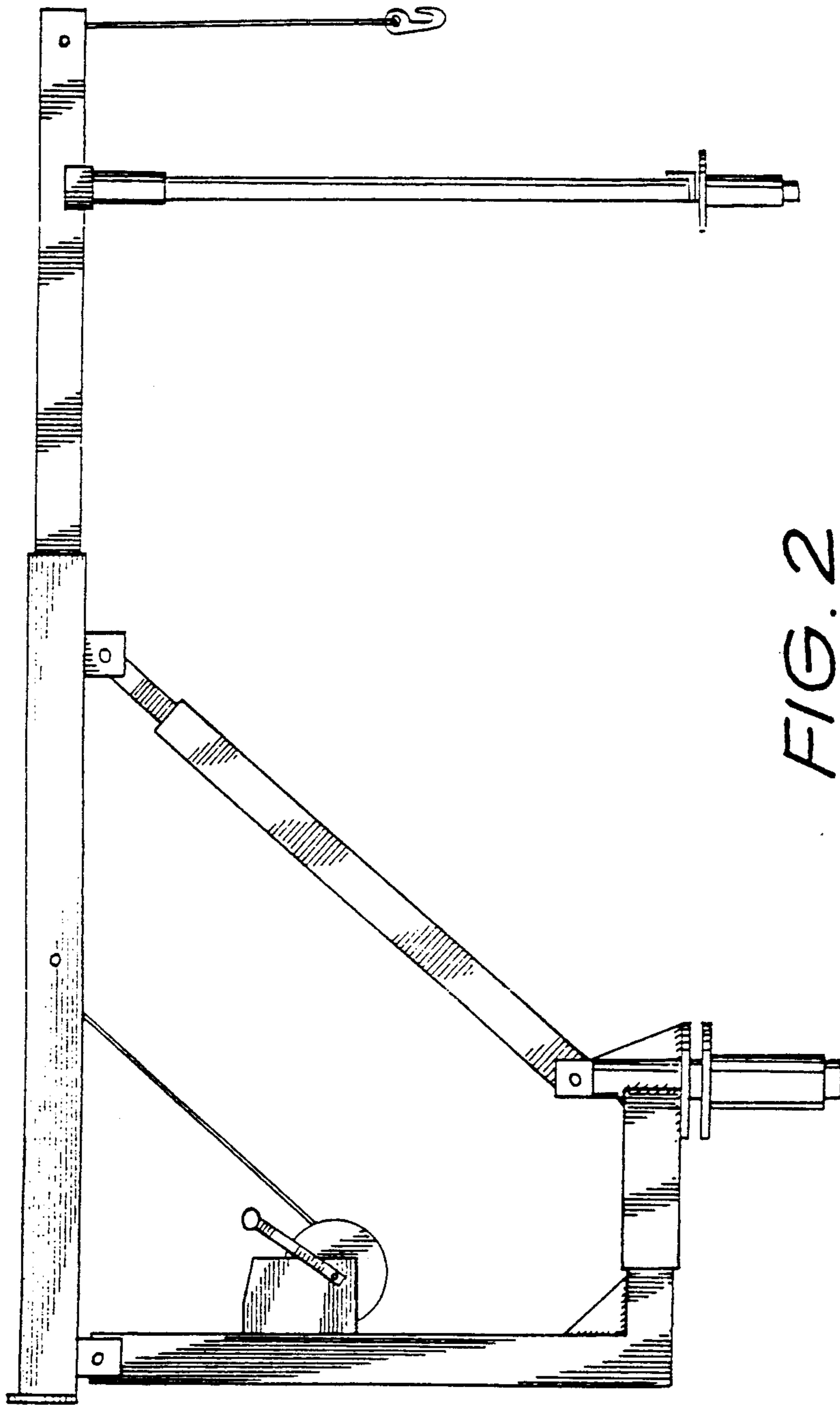


FIG. 1





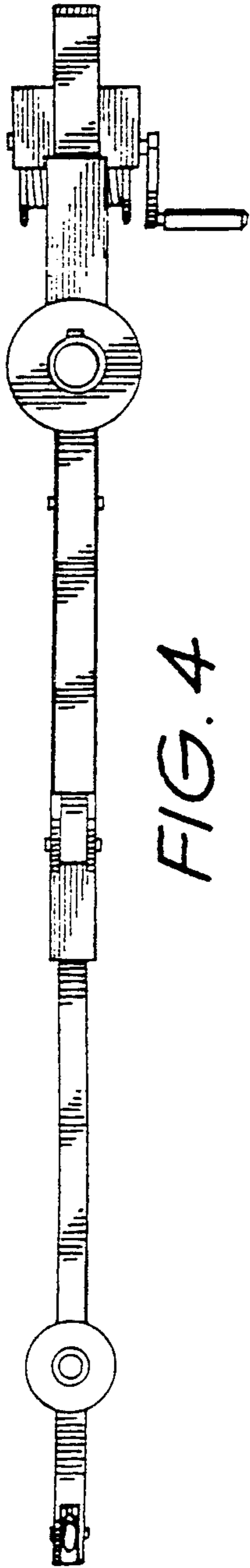


FIG. 4

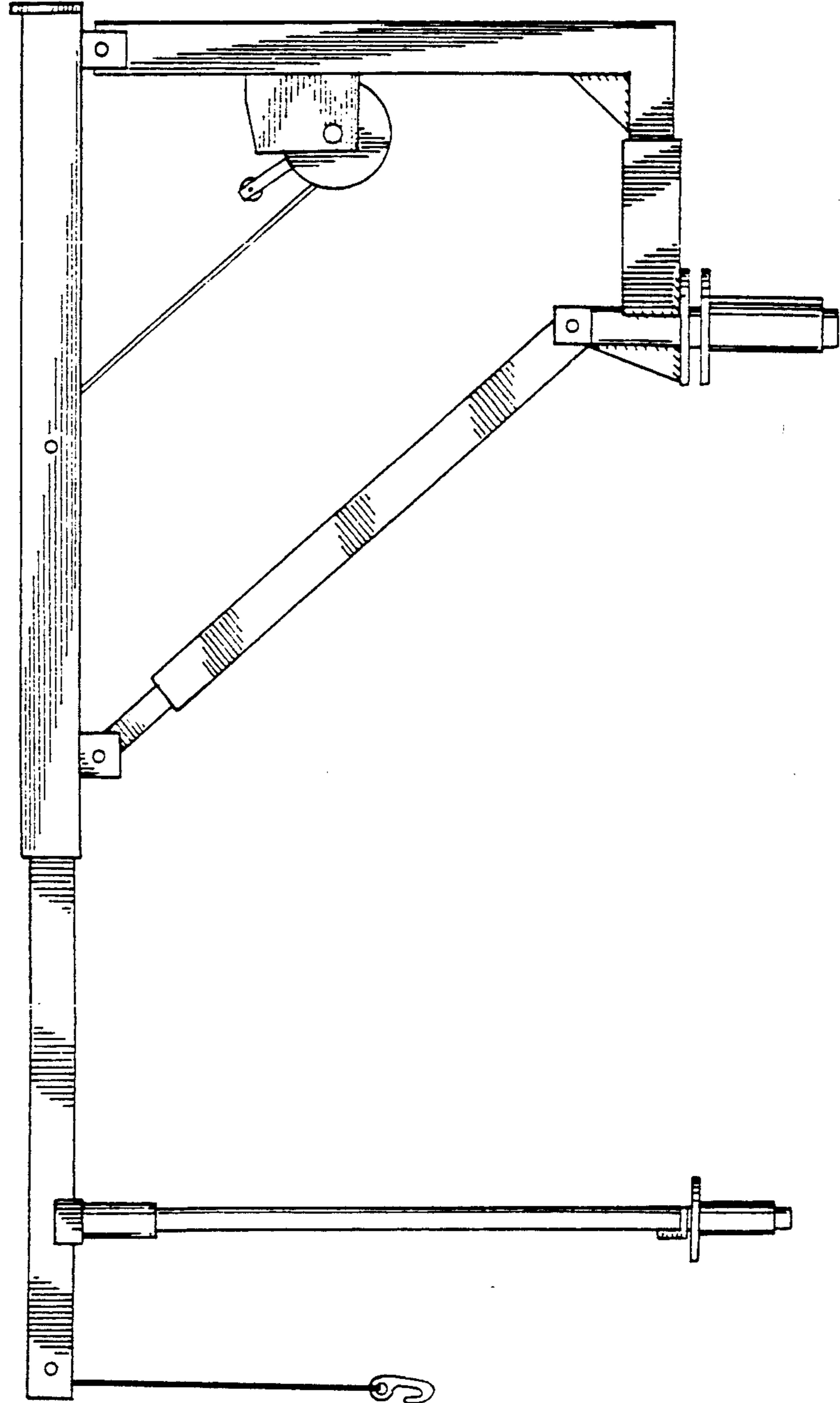


FIG. 5

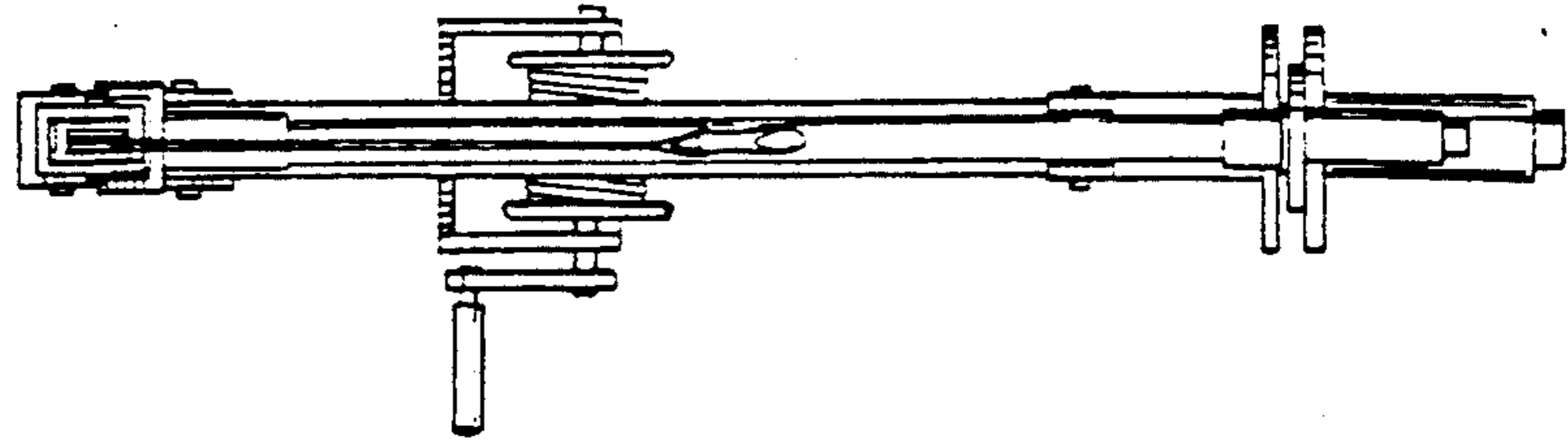


FIG. 7