



US00D341240S

United States Patent [19]

[11] Patent Number: **Des. 341,240**

Roman

[45] Date of Patent: **** Nov. 9, 1993**

[54] HOSE CART

D. 288,496 2/1987 Brownlie D34/26
D. 330,847 11/1992 Clivio D8/359
5,056,553 10/1991 Whitehead et al. 137/355.27

[75] Inventor: **Gianfranco Roman, Pasiano, Italy**

[73] Assignee: **Claber S.P.A., Italy**

FOREIGN PATENT DOCUMENTS

[**] Term: **14 Years**

1069332 7/1954 France 280/47.24

[21] Appl. No.: **828,727**

Primary Examiner—Kay H. Chin
Attorney, Agent, or Firm—Eckert Seamans Cherin & Mellott

[22] Filed: **Jan. 31, 1992**

[30] Foreign Application Priority Data

[57] CLAIM

Jul. 31, 1991 [IT] Italy MI91 0 000579

[52] U.S. Cl. **D34/24; D8/359**

The ornamental design for hose cart, as shown and described.

[58] Field of Search D34/12, 26, 24;
280/47.24; D8/359; 242/86.2; 137/355.16,
355.27

DESCRIPTION

[56] References Cited

U.S. PATENT DOCUMENTS

Re. 32,510 9/1987 Tisbo et al. D34/12

FIG. 1 is a frontal perspective view of my new hose cart;
FIG. 2 is a lateral view thereof;
FIG. 3 is a top view thereof;
FIG. 4 is a frontal view thereof; and,
FIG. 5 is a rear view thereof.

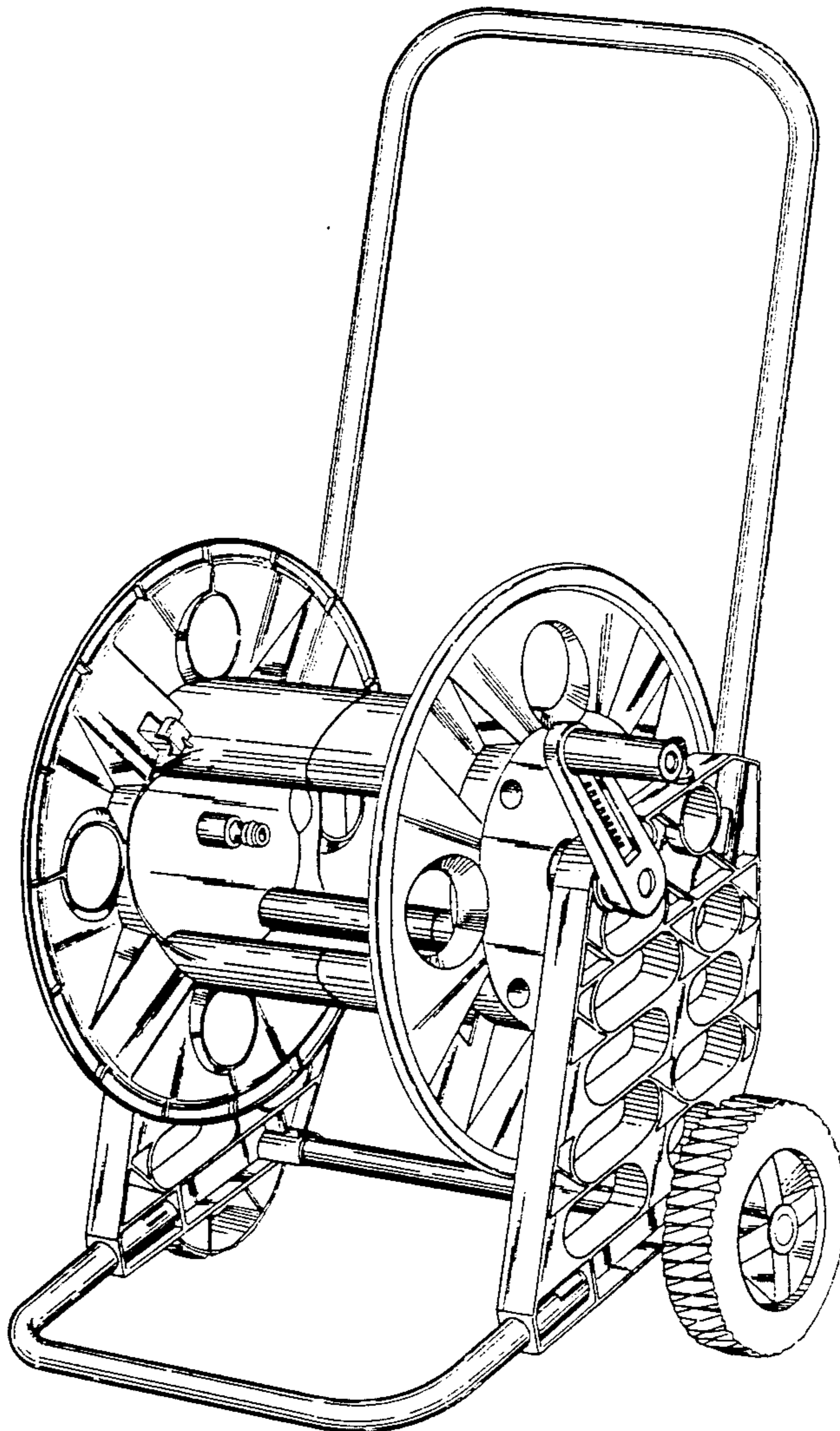


Fig.1

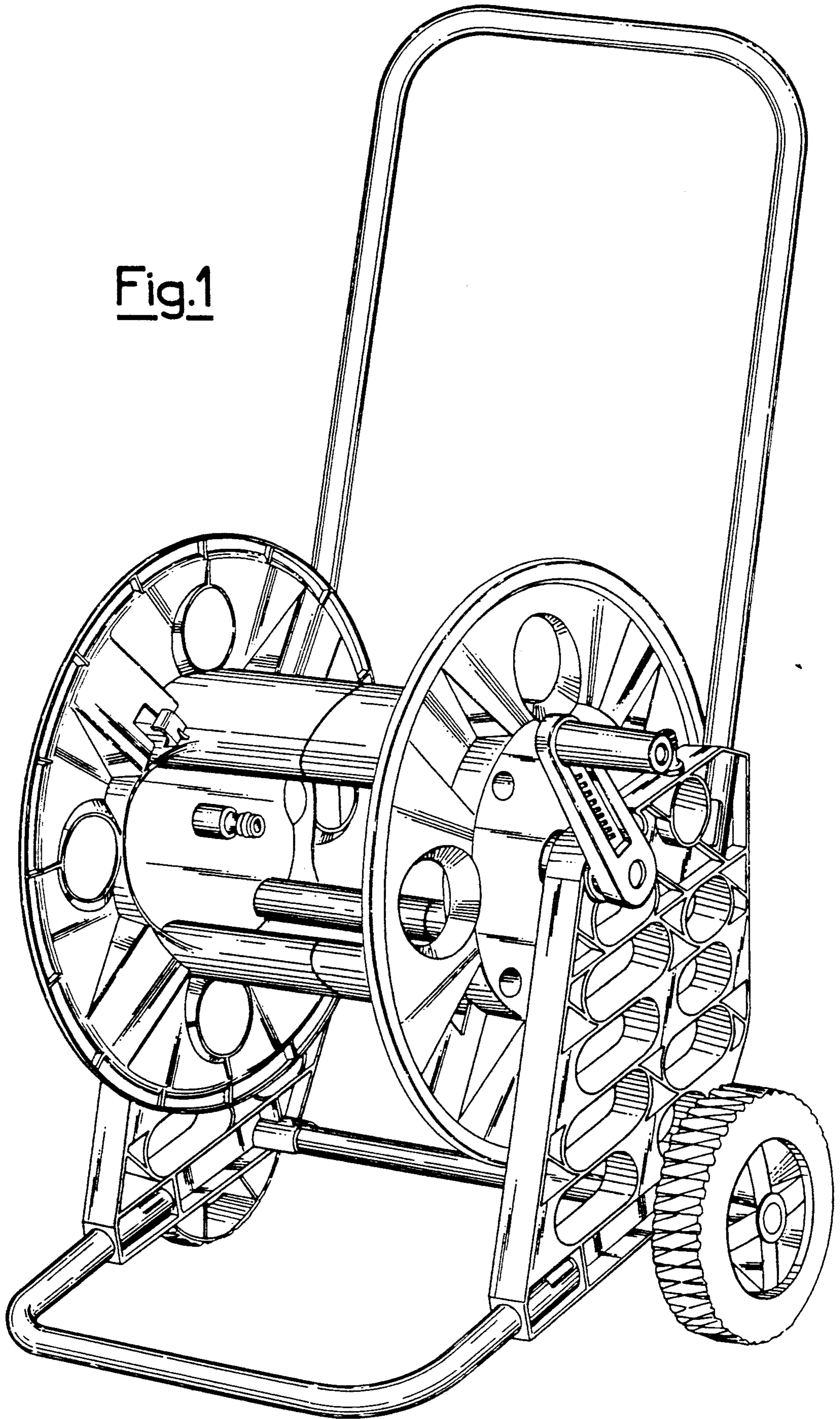


Fig. 2

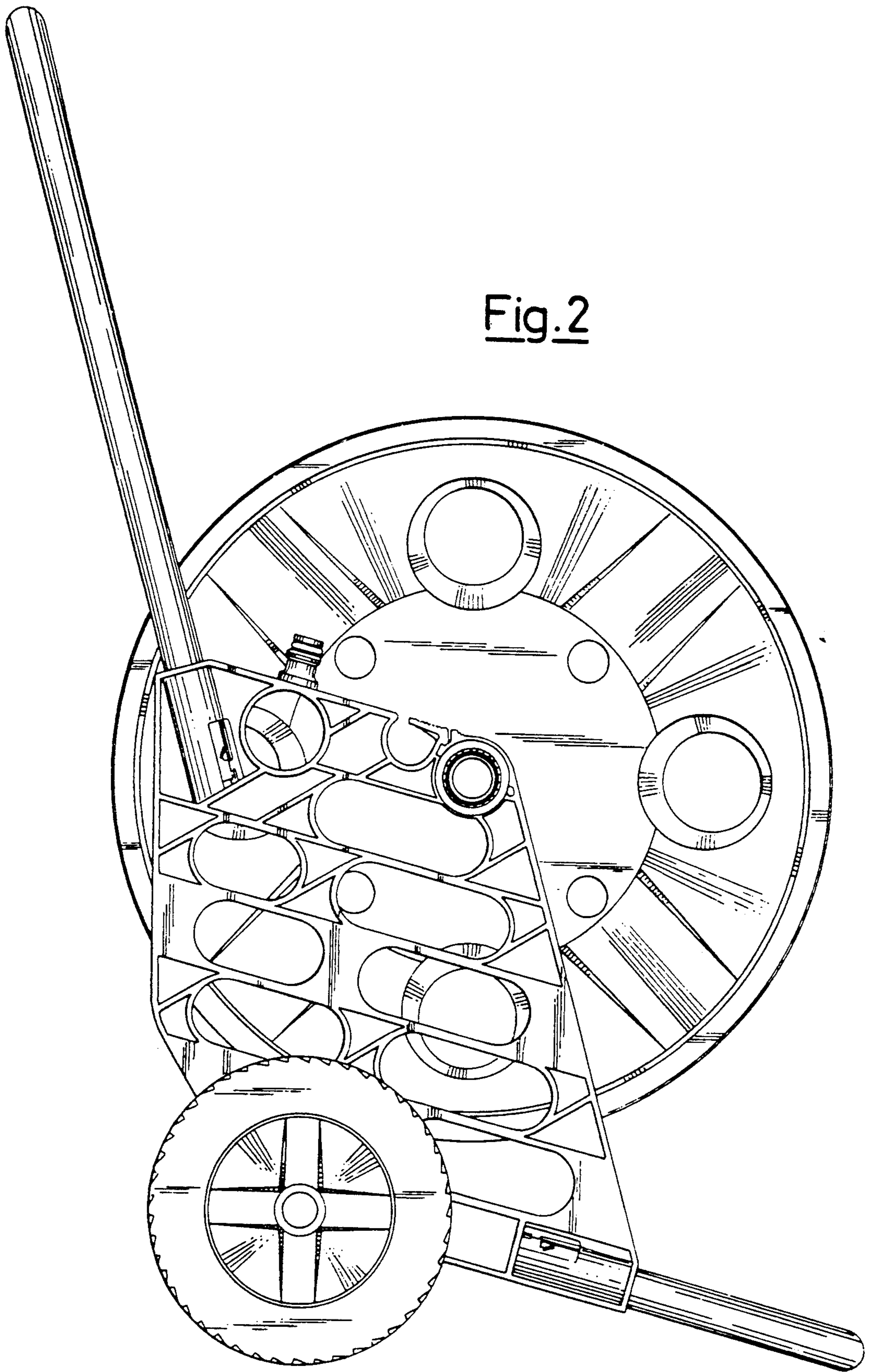
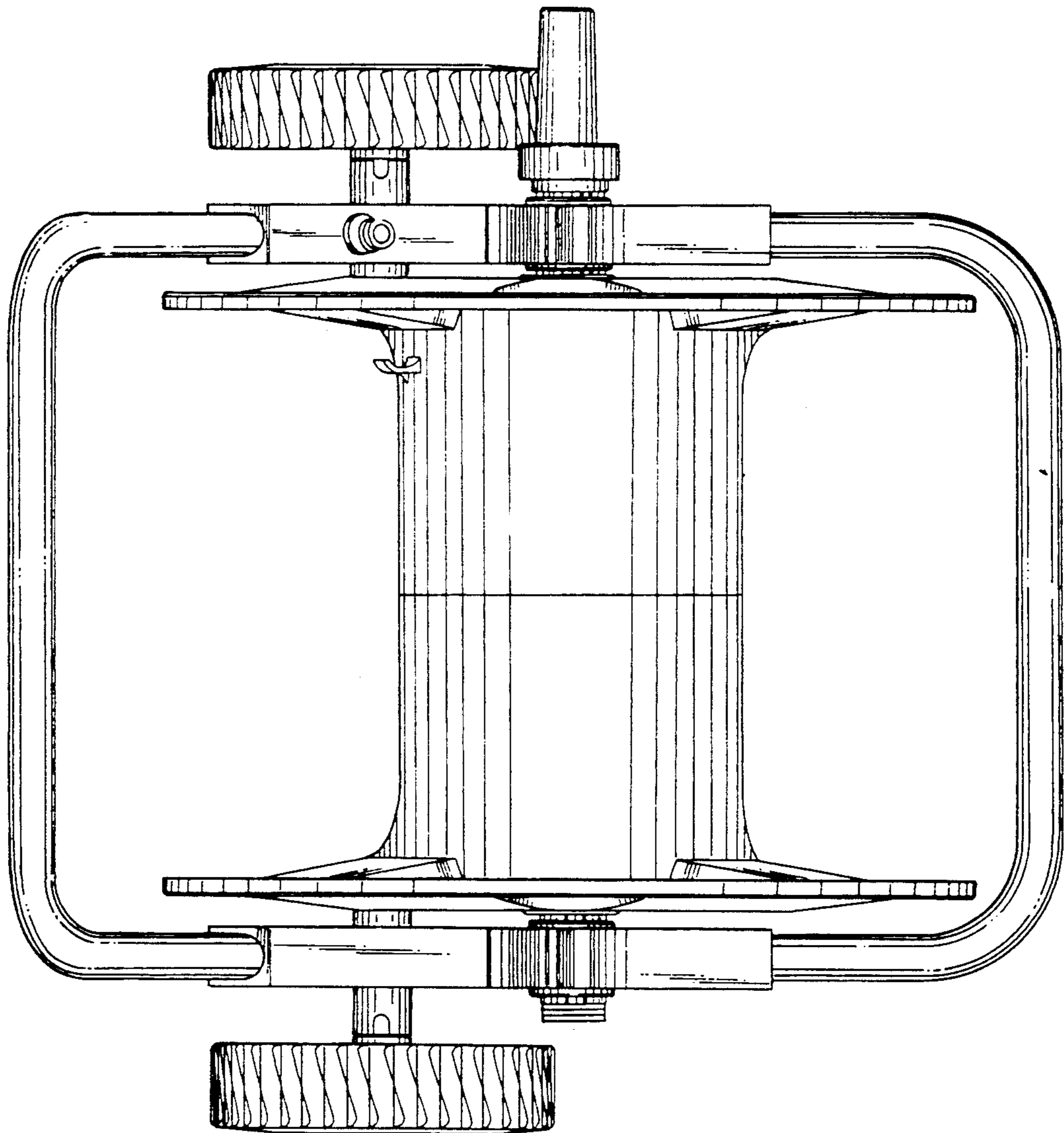


Fig.3



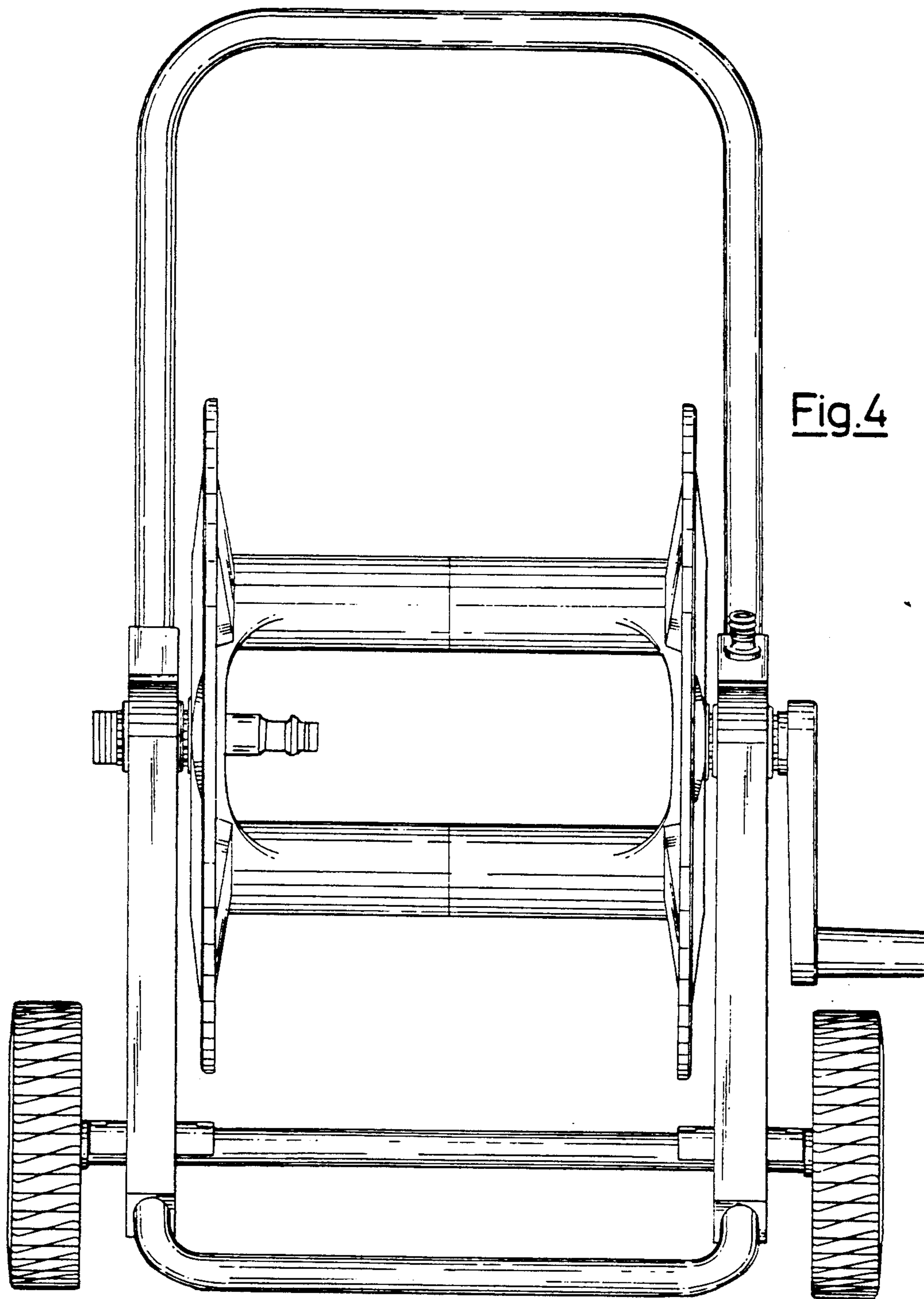


Fig.4

Fig. 5

