



US00D341239S

United States Patent [19]

Maki

[11] Patent Number: **Des. 341,239**

[45] Date of Patent: **** Nov. 9, 1993**

[54] **WHEEL SUPPORT DOLLY**

[76] Inventor: **Donald F. Maki**, 604 E. Loyola, Tempe, Ariz. 85285

[**] Term: **14 Years**

[21] Appl. No.: **760,208**

[22] Filed: **Sep. 16, 1991**

[52] U.S. Cl. **D34/23**

[58] Field of Search **D8/375; D34/23; 280/47.15**

D. 309,813	8/1990	Gingras	D34/23 X
3,184,205	5/1965	Carpezzi	280/47.15
3,317,218	5/1967	Rivolta	280/47.15

Primary Examiner—Wallace R. Burke
Assistant Examiner—H. Baynham
Attorney, Agent, or Firm—Richard R. Mybeck

[57] **CLAIM**

The ornamental design for a wheel support dolly, as shown and described.

DESCRIPTION

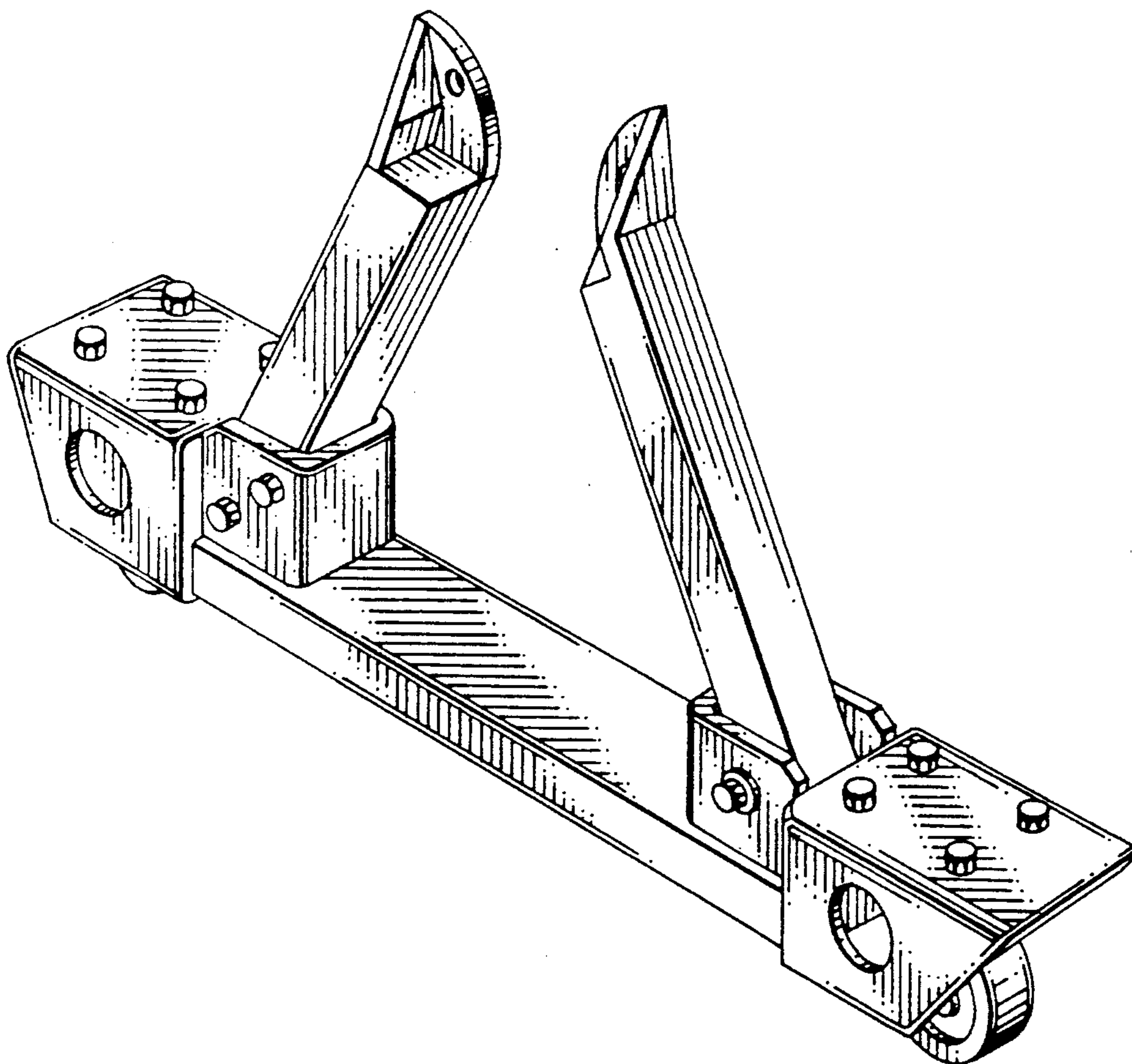
FIG. 1 is a perspective view of a wheel support dolly showing my ornamental design; FIG. 2 is a frontal elevation thereof; FIG. 3 is a rear elevation thereof; FIG. 4 is an end elevational view thereof with the opposite side being a mirror image thereof; FIG. 5 is a top plan view thereof; and, FIG. 6 is a bottom plan view thereof.

[56]

References Cited

U.S. PATENT DOCUMENTS

D. 204,752	5/1966	Tveten	D34/23 X
D. 241,513	9/1976	Fontana	D8/375
D. 253,465	11/1979	Lobdell	D34/23
D. 302,892	8/1989	Callahan	D34/23
D. 303,309	9/1989	Pulda, Jr. et al.	D34/23



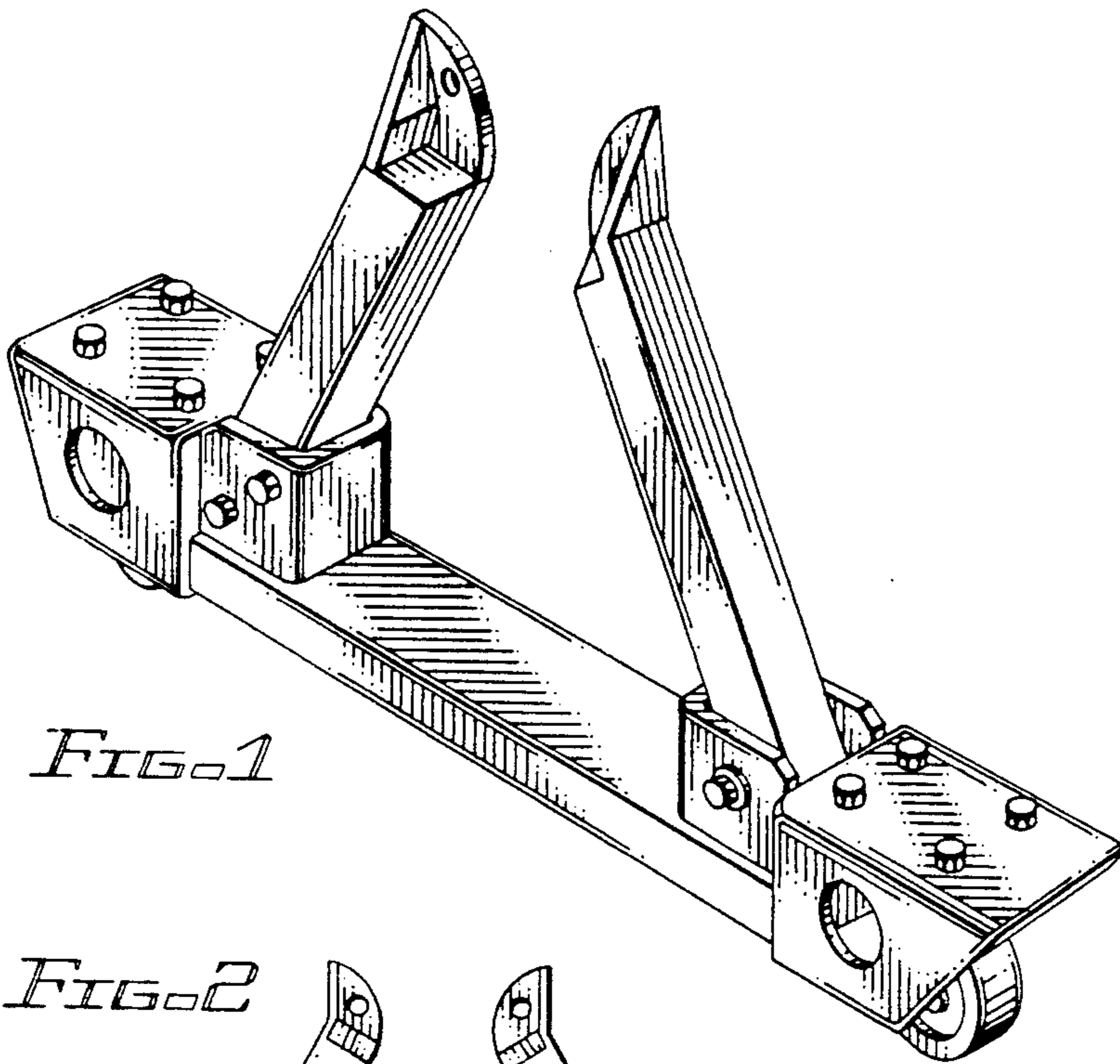


FIG. 1

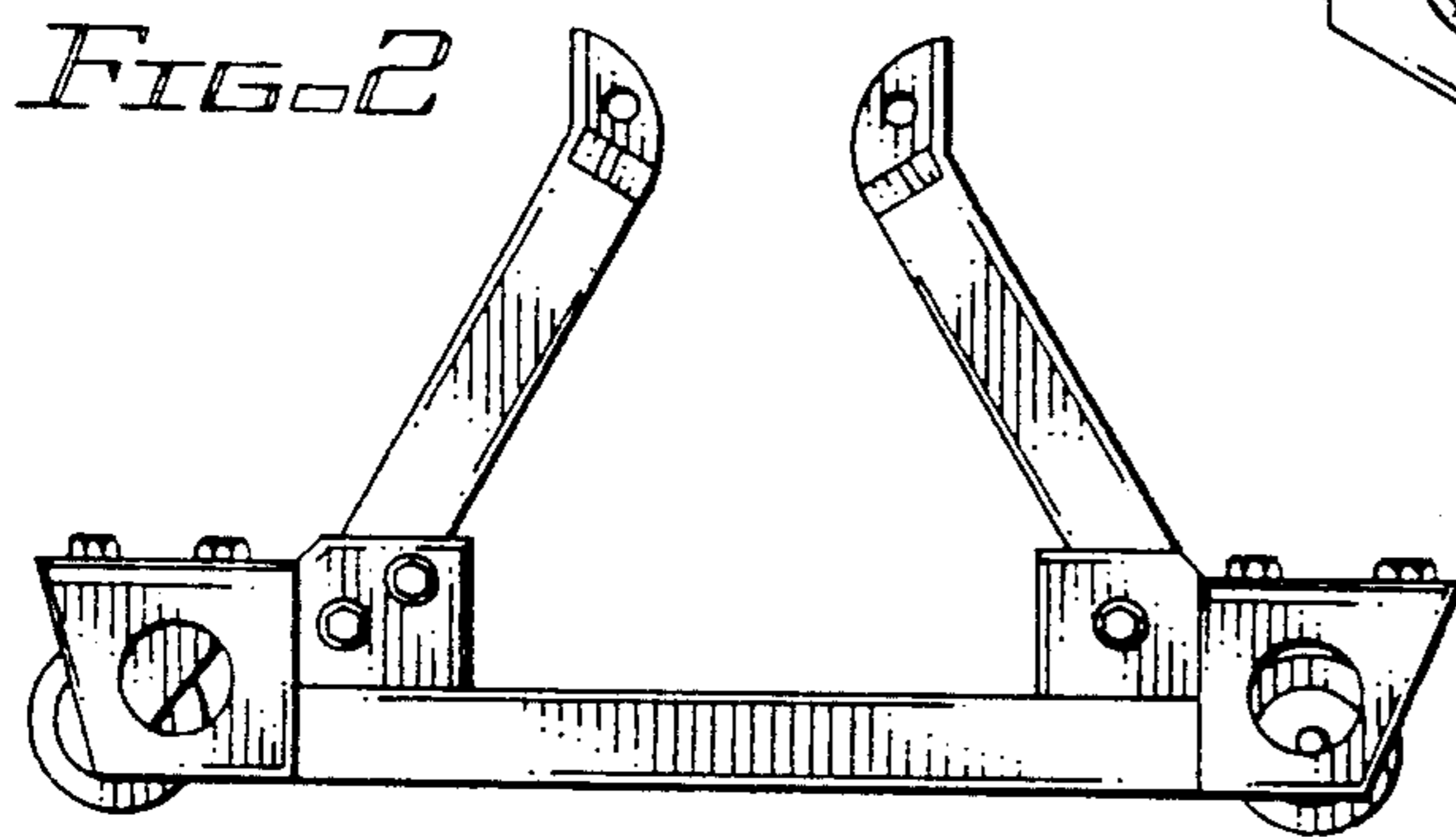


FIG. 2

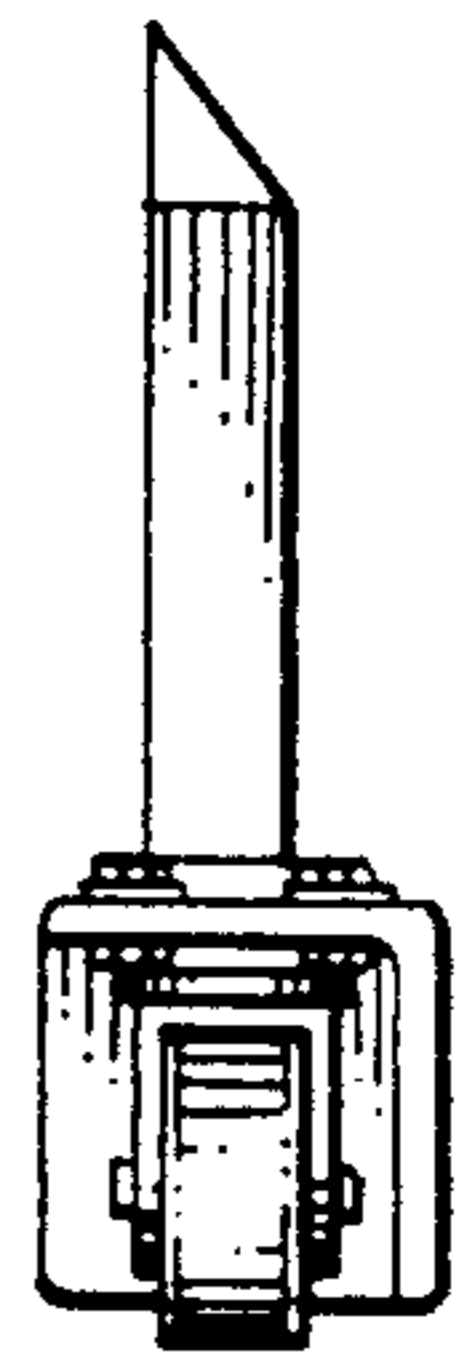


FIG. 4

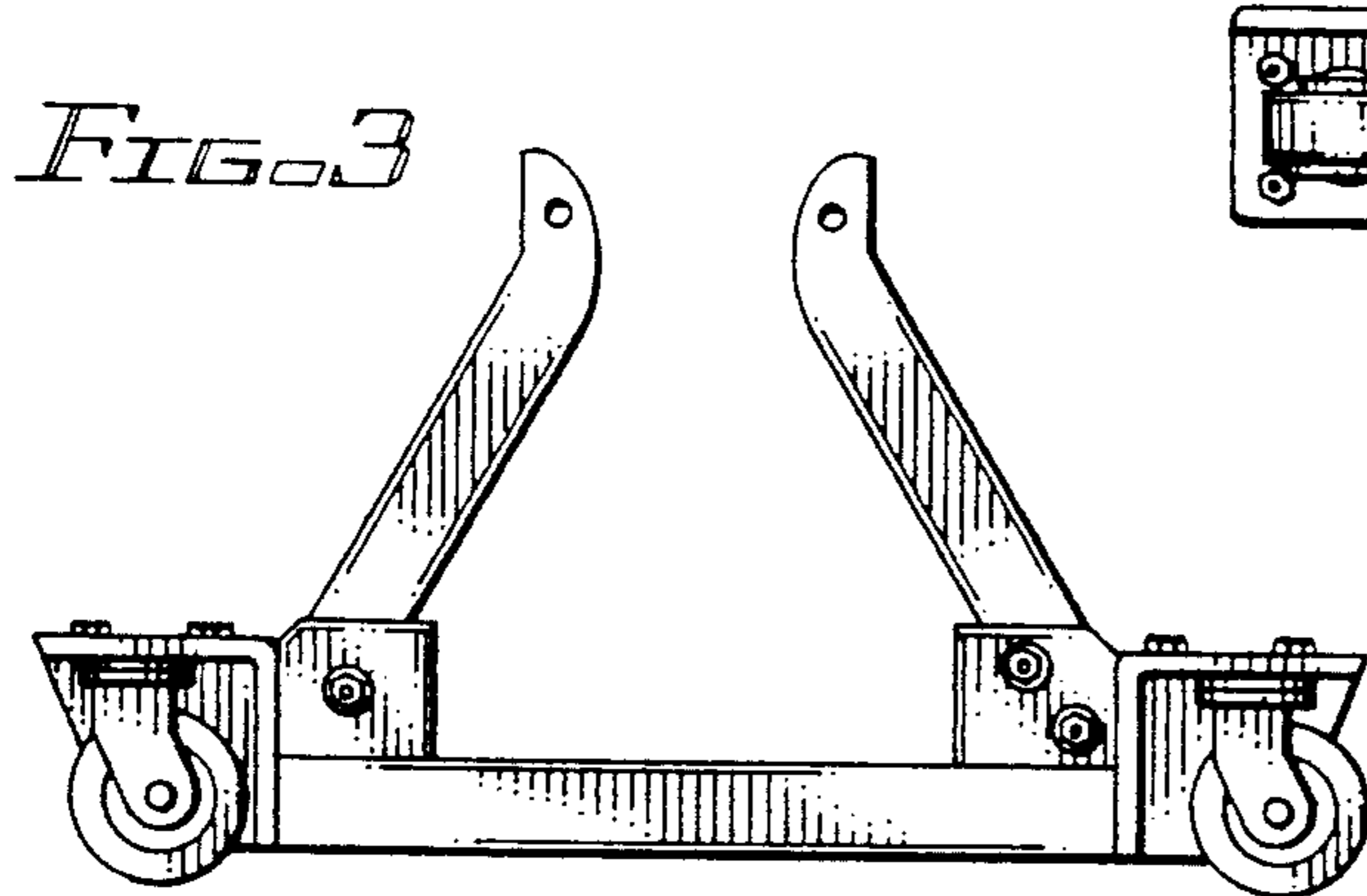


FIG. 3



FIG. 6



FIG. 5