



US00D341238S

# United States Patent [19]

[11] Patent Number: **Des. 341,238**

Sloan, III

[45] Date of Patent: **\*\* Nov. 9, 1993**

[54] **SUPPLY CART**

3,837,667 9/1974 Sernovitz ..... 280/47.34

[76] Inventor: **Benjamin J. Sloan, III**, 6133 Old Oak Ridge Rd., Greensboro, N.C. 27410

*Primary Examiner*—Kay H. Chin

[\*\*] Term: **14 Years**

[57] **CLAIM**

The ornamental design for a supply cart, as shown and described.

[21] Appl. No.: **824,452**

[22] Filed: **Jan. 22, 1992**

[52] U.S. Cl. .... **D34/18; D34/21; D34/26**

[58] Field of Search ..... **D34/12, 17, 18, 19, D34/20, 21, 24, 26; 280/79.3, 35, 47.34, 47.17, 47.19, 47.35, 79.2**

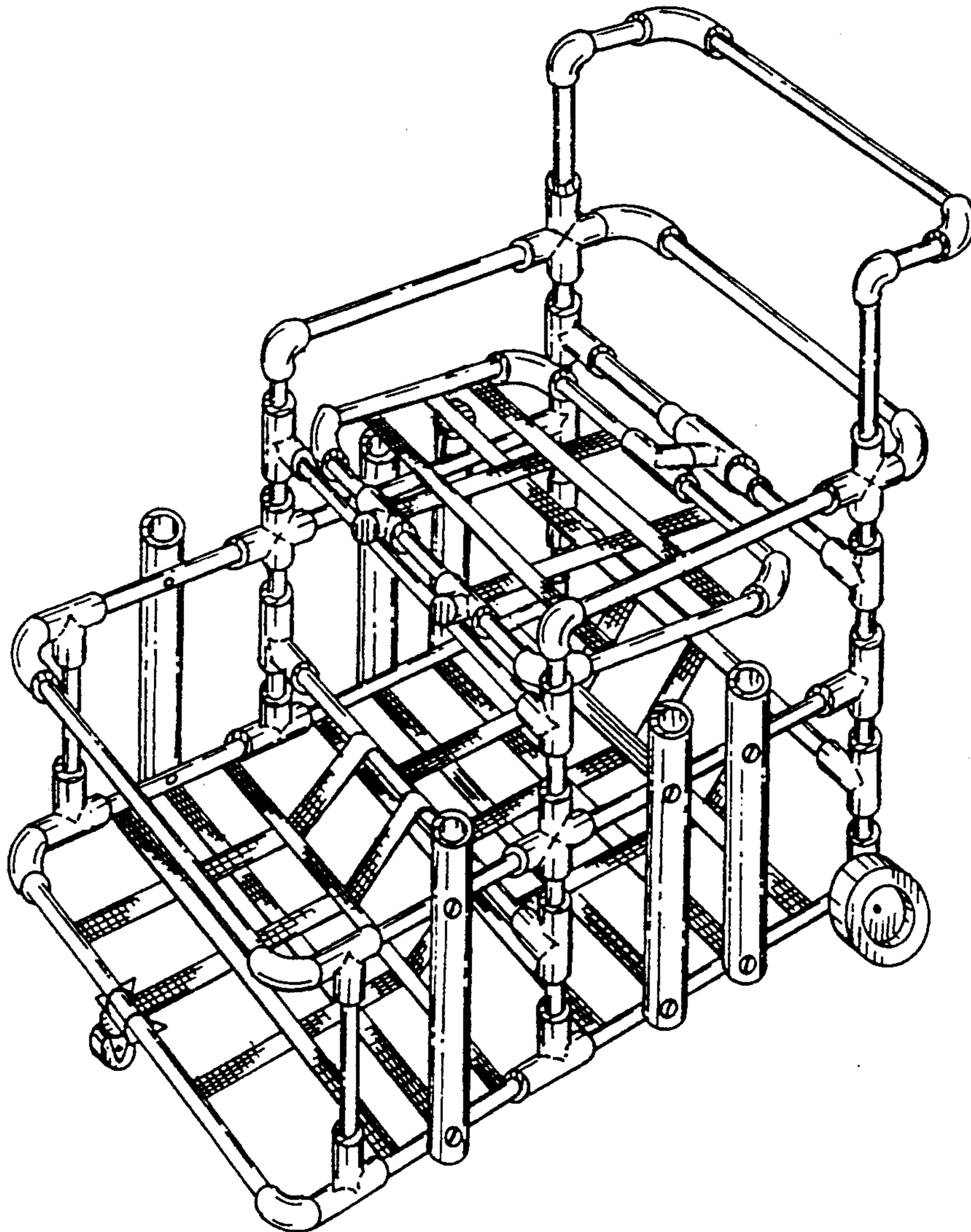
### DESCRIPTION

FIG. 1 is a right side, top, front perspective view of a supply cart embodying my design;  
FIG. 2 is a left side elevational view thereof;  
FIG. 3 is a rear elevational view thereof;  
FIG. 4 is a bottom plan view thereof;  
FIG. 5 is a right side, top, front perspective view of a second embodiment of the supply cart;  
FIG. 6 is a left side elevational view of the cart as shown in FIG. 5;  
FIG. 7 is a rear elevational view of the cart as shown in FIG. 5; and,  
FIG. 8 is a bottom plan view of FIG. 5.

### [56] References Cited

#### U.S. PATENT DOCUMENTS

3,162,462	12/1964	Elders	.....	D34/21
3,400,942	9/1968	Hull	.....	280/35
3,834,724	9/1974	Trubiano	.....	280/79.3



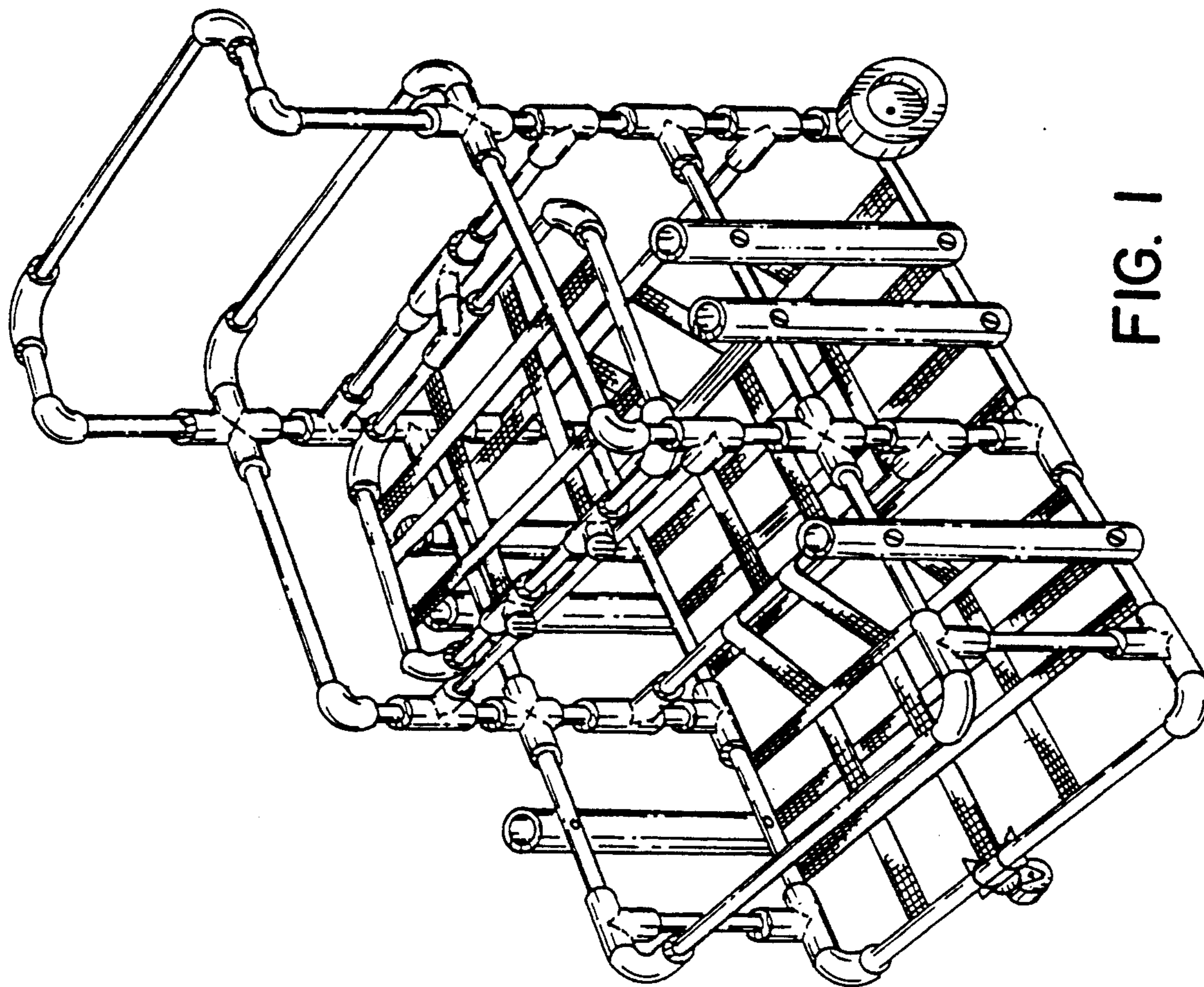


FIG. 1

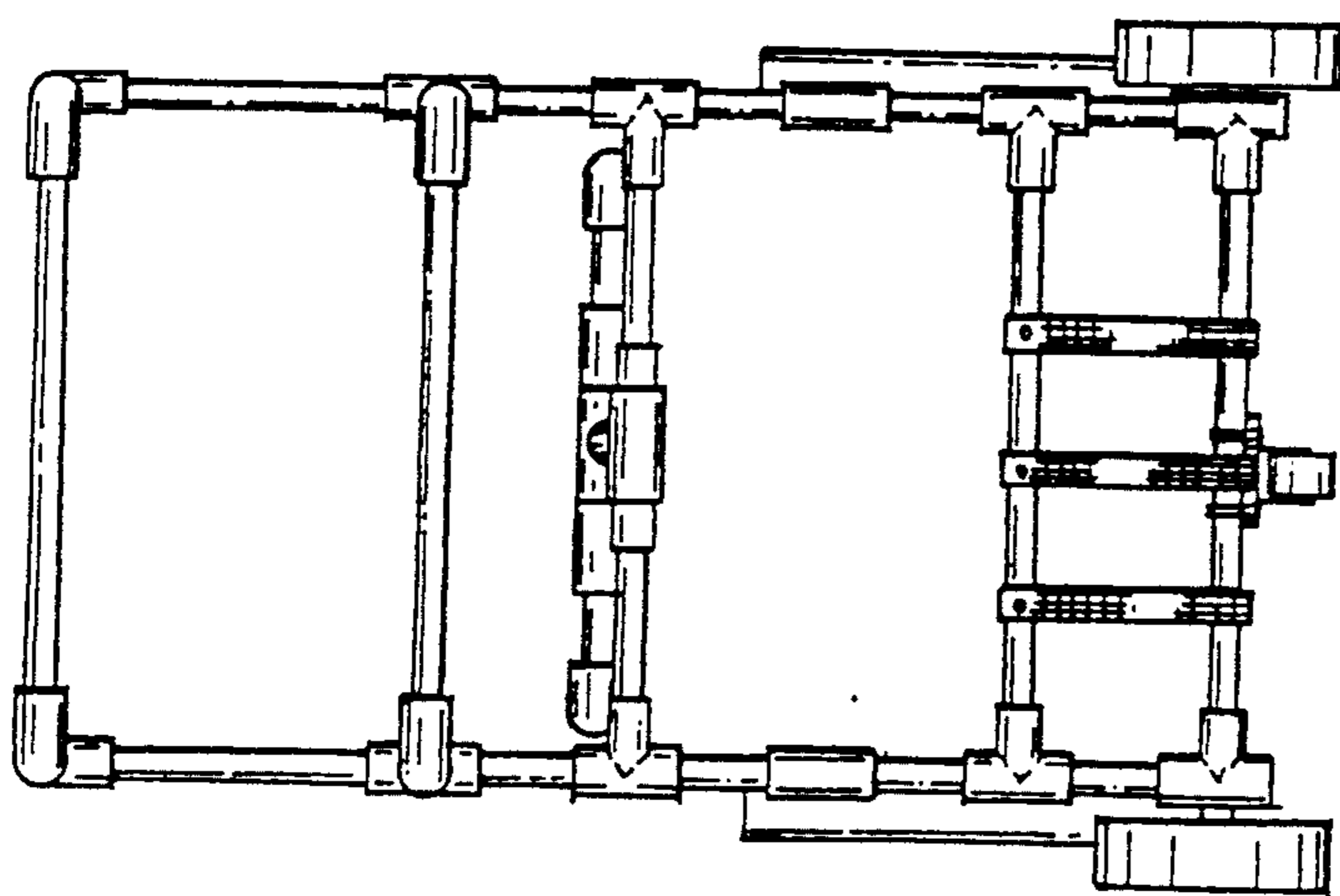


FIG. 3

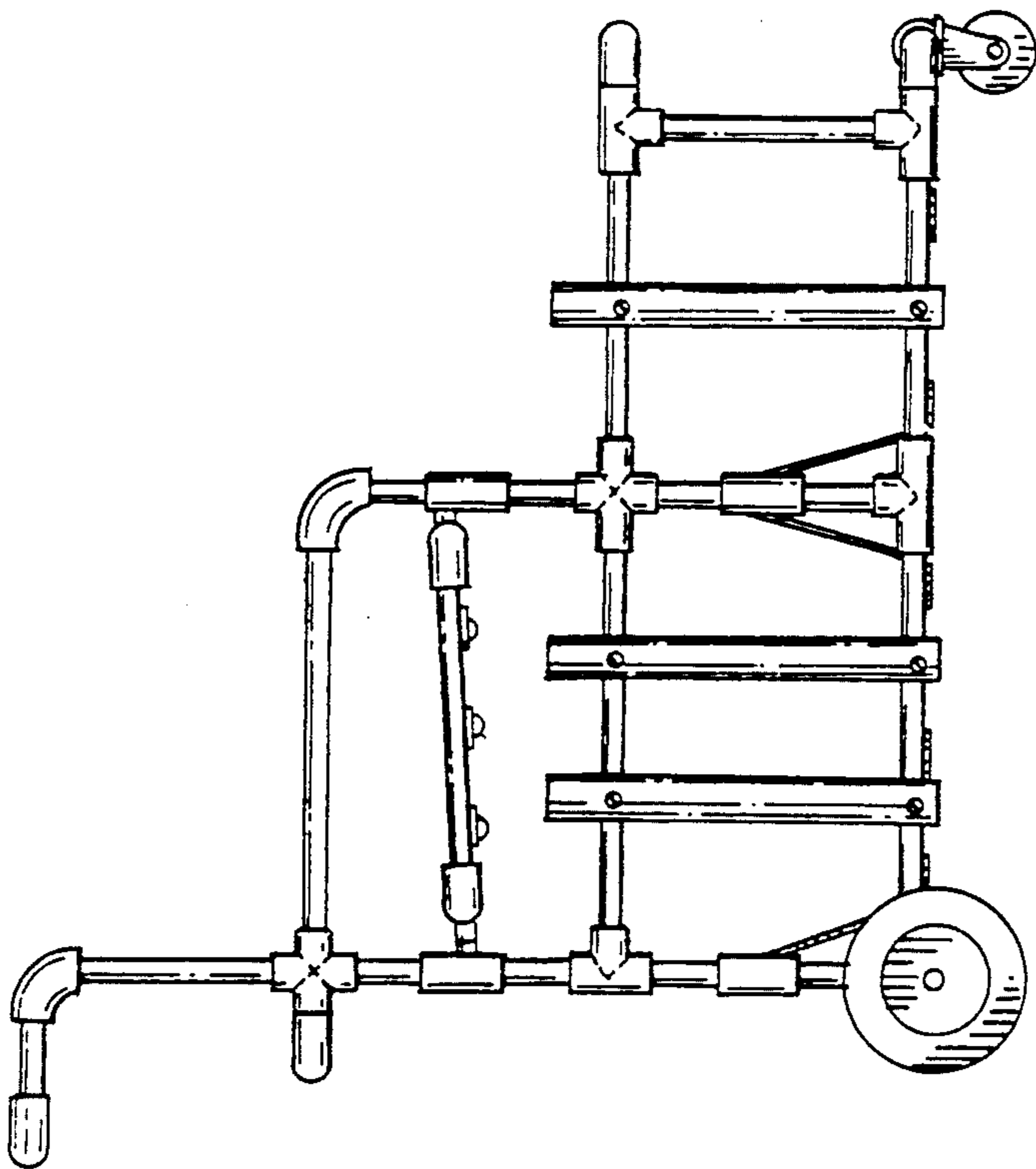


FIG. 2

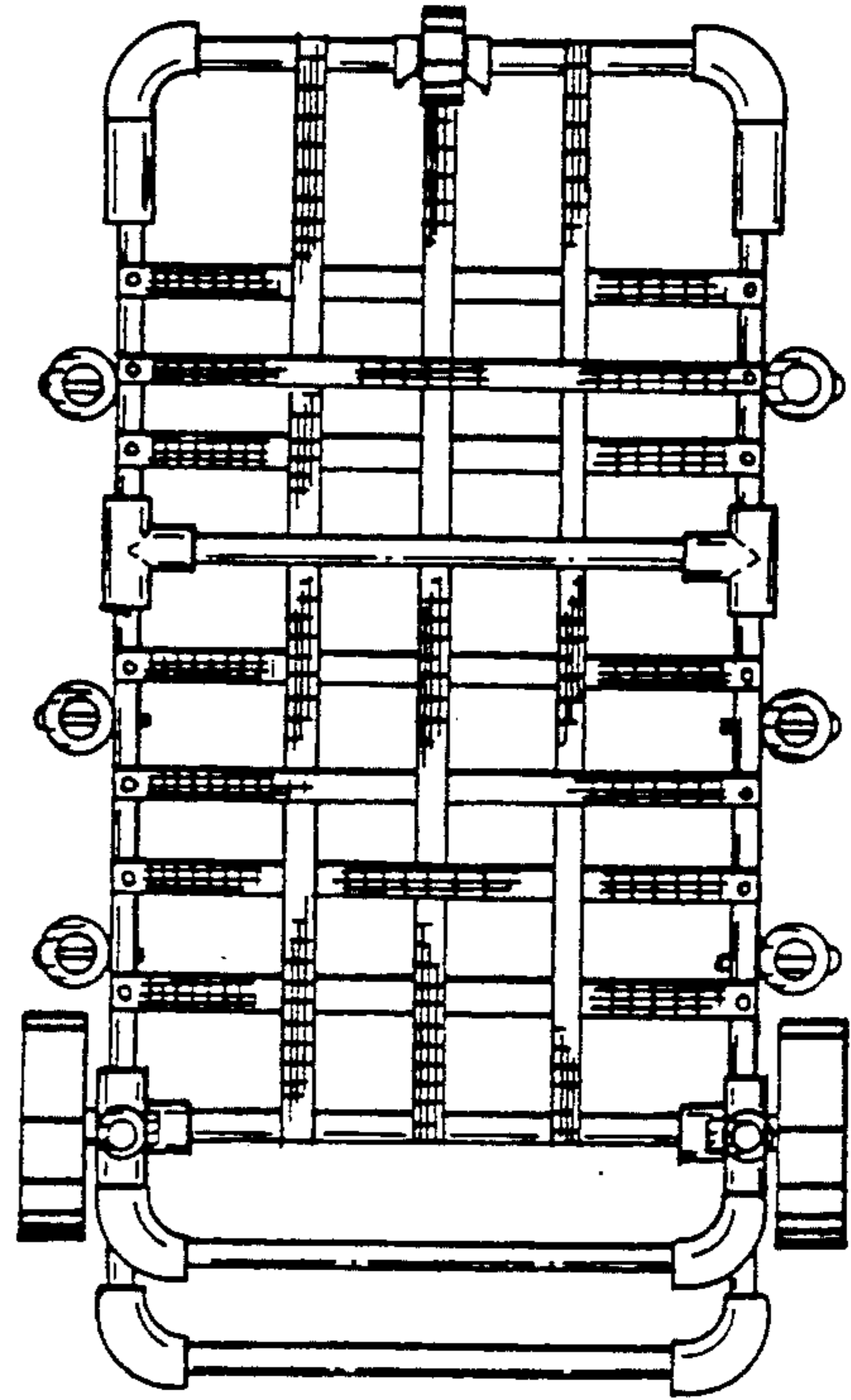


FIG. 4

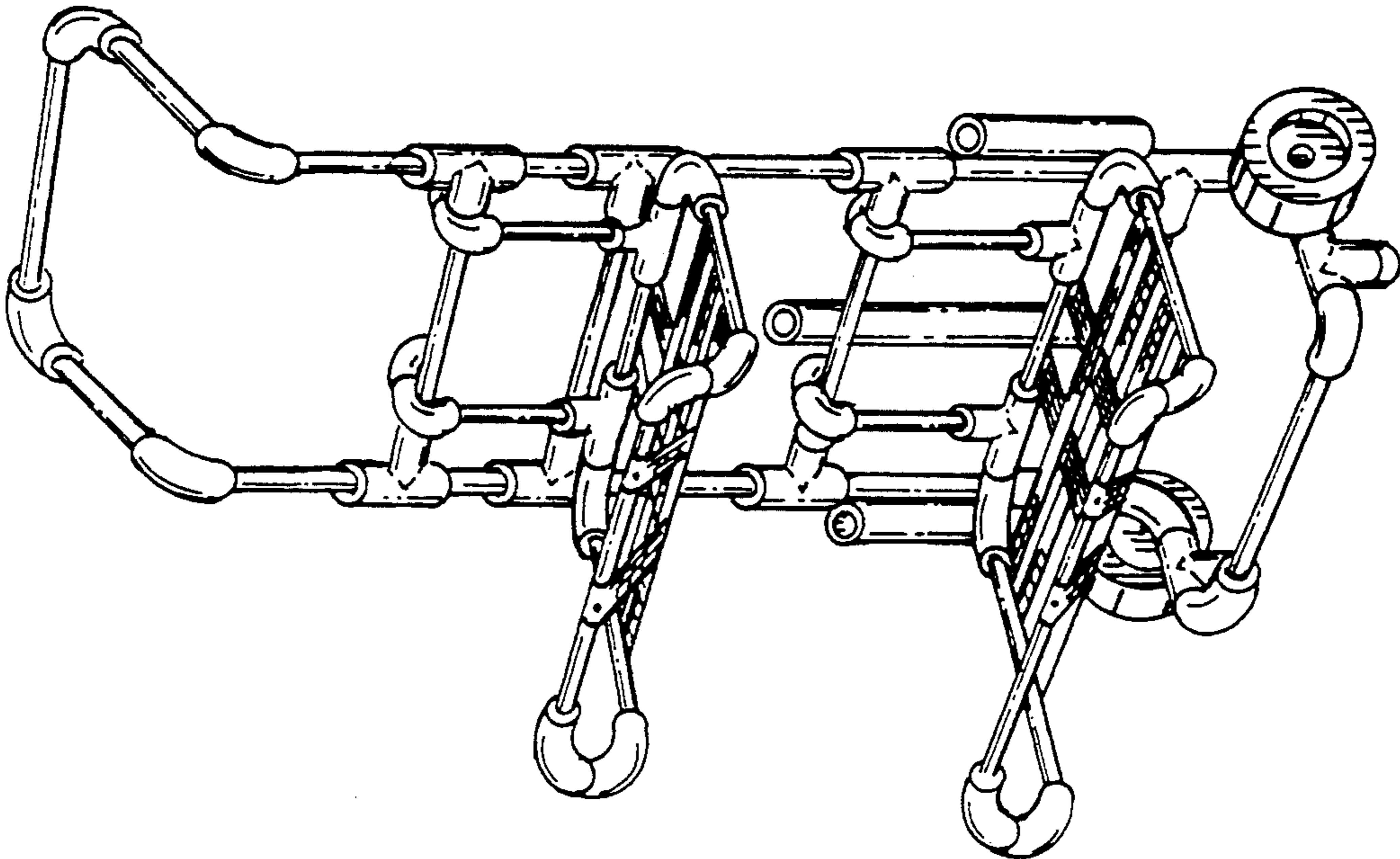


FIG. 5

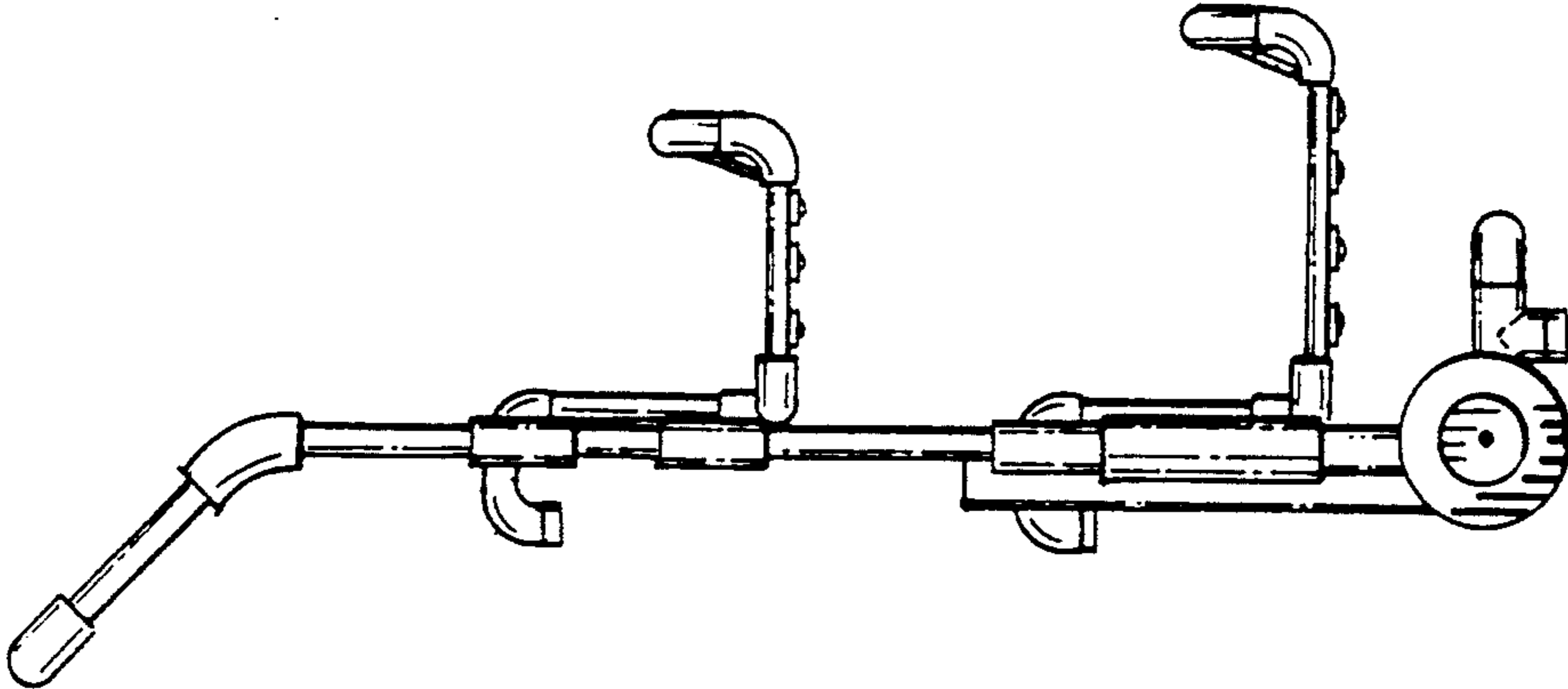


FIG. 6

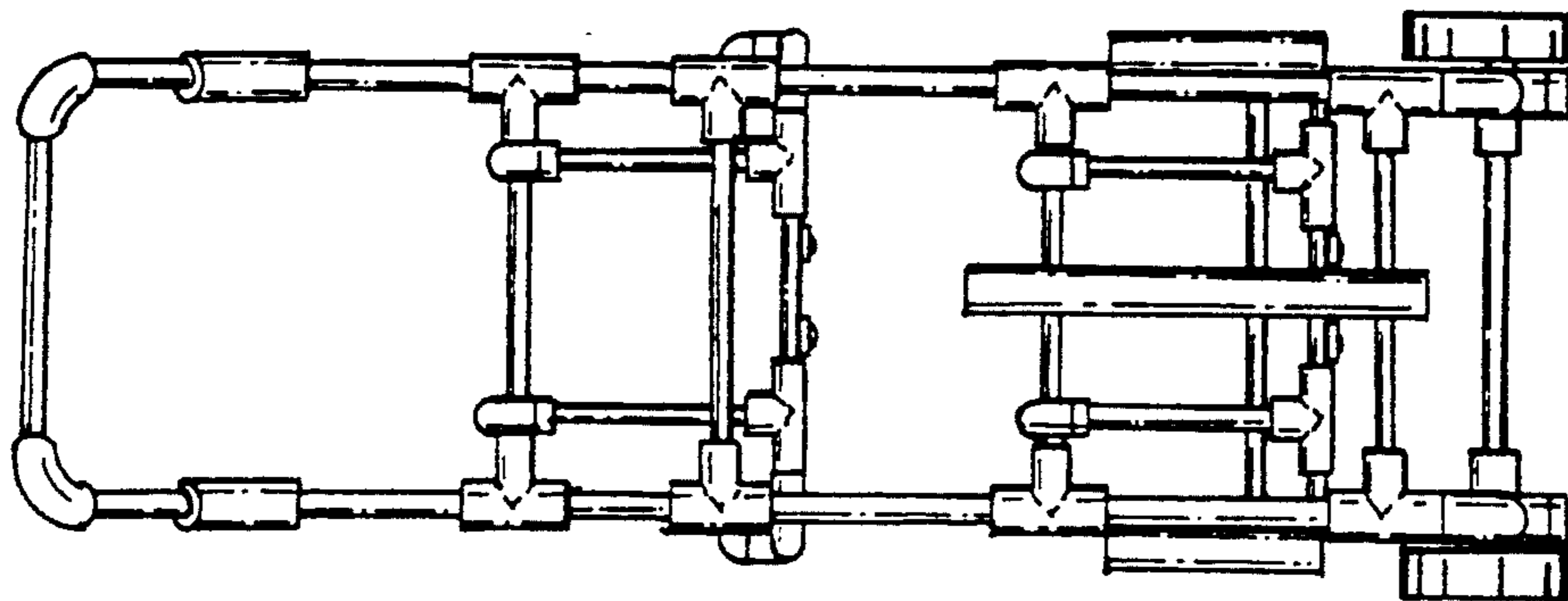


FIG. 7

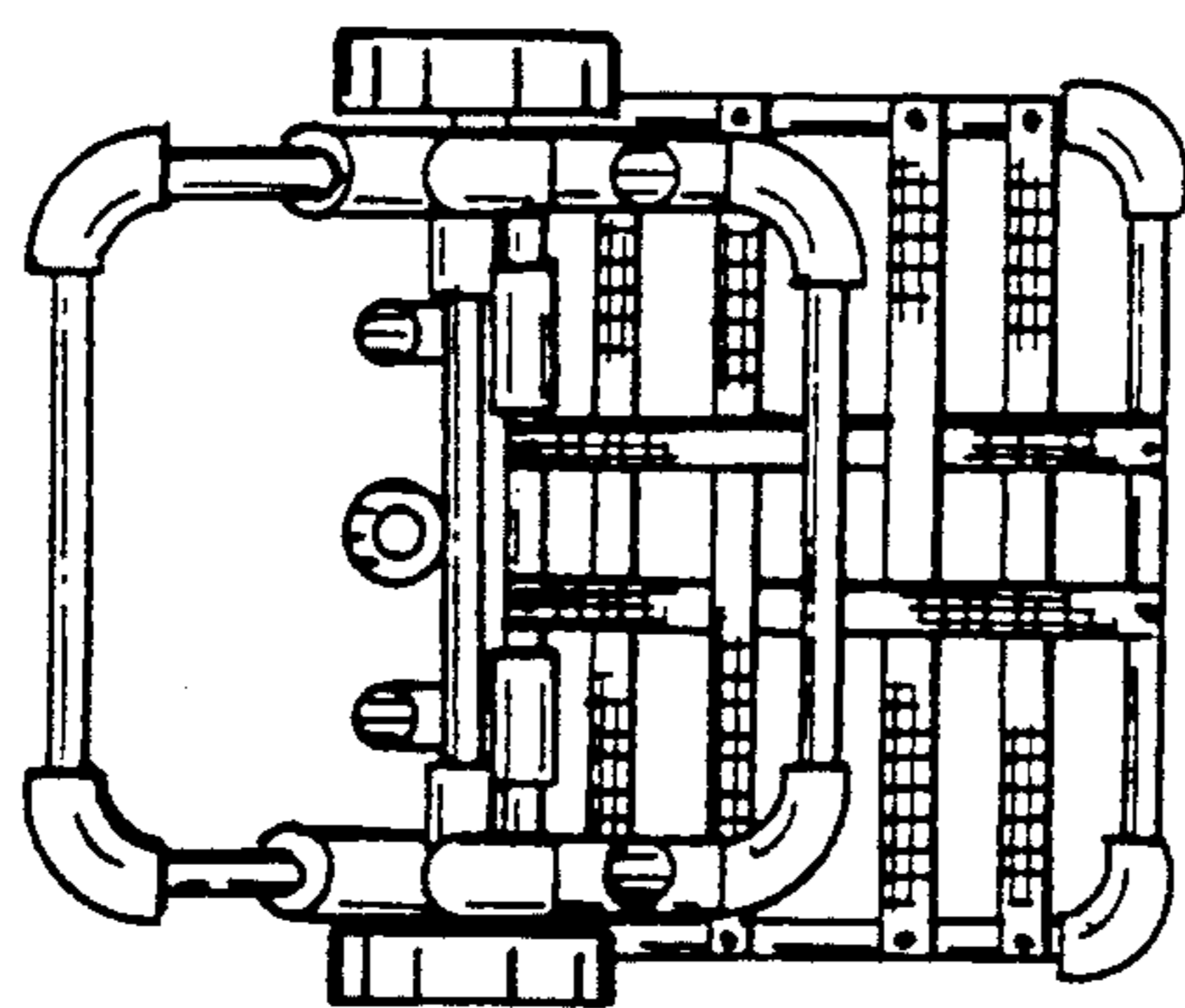


FIG. 8