



US00D341236S

United States Patent [19]

Gasca-Salas

[11] Patent Number: **Des. 341,236**

[45] Date of Patent: **** Nov. 9, 1993**

[54] **BAG HOLDER**

[75] Inventor: **Mario A. Gasca-Salas, Jalisco, Mexico**

[73] Assignee: **Conservacion y Construccion Contex, Guadalupe Inn, Mexico**

[**] Term: **14 Years**

[21] Appl. No.: **747,368**

[22] Filed: **Aug. 20, 1991**

[30] **Foreign Application Priority Data**

Feb. 20, 1991 [MX] Mexico 3784

[52] U.S. Cl. **D34/6; D6/566**

[58] Field of Search **D34/1, 5, 6, 11; 248/95, 97, 98, 99, 100, 101; D6/566**

[56] **References Cited**

U.S. PATENT DOCUMENTS

3,747,653 7/1973 Ringer 248/99

4,759,519 7/1988 Cheng 248/99
4,832,292 5/1989 Beckham 248/99

Primary Examiner—Kay H. Chin
Attorney, Agent, or Firm—Ladas & Parry

[57] **CLAIM**

The ornamental design for a bag holder, as shown and described.

DESCRIPTION

FIG. 1 is a top front view of a bag holder of my new design with a bag supported for use;
FIG. 2 is a top perspective view from the left of the bag holder, the view from the right being a mirror image, the back being plain and unornamented;
FIG. 3 is a top left perspective view of a frame of the bag holder;
FIG. 4 is a perspective view of a bag suspension member of the bag holder; and,
FIG. 5 is a perspective view showing the bag holder in a preliminary position.

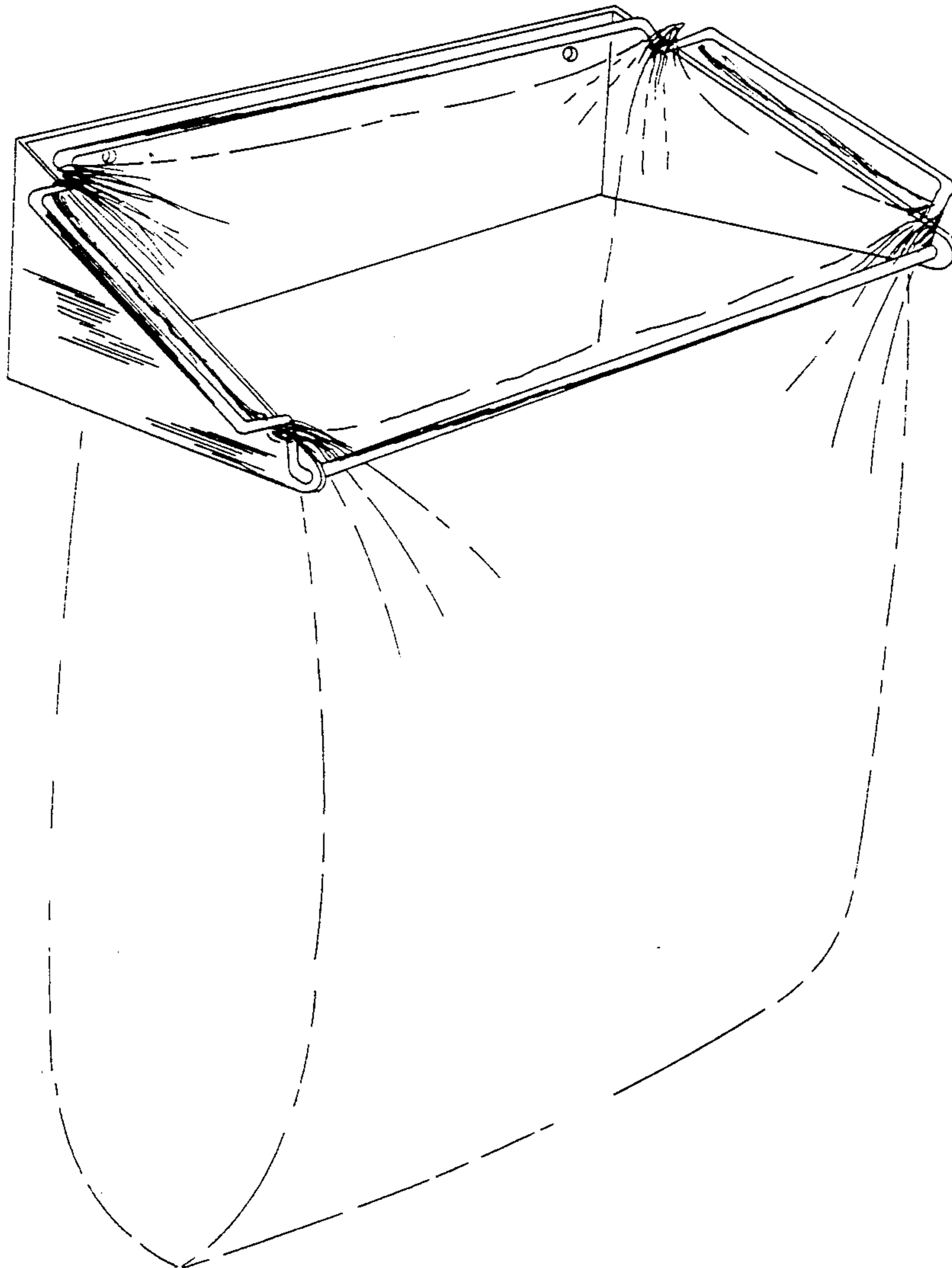
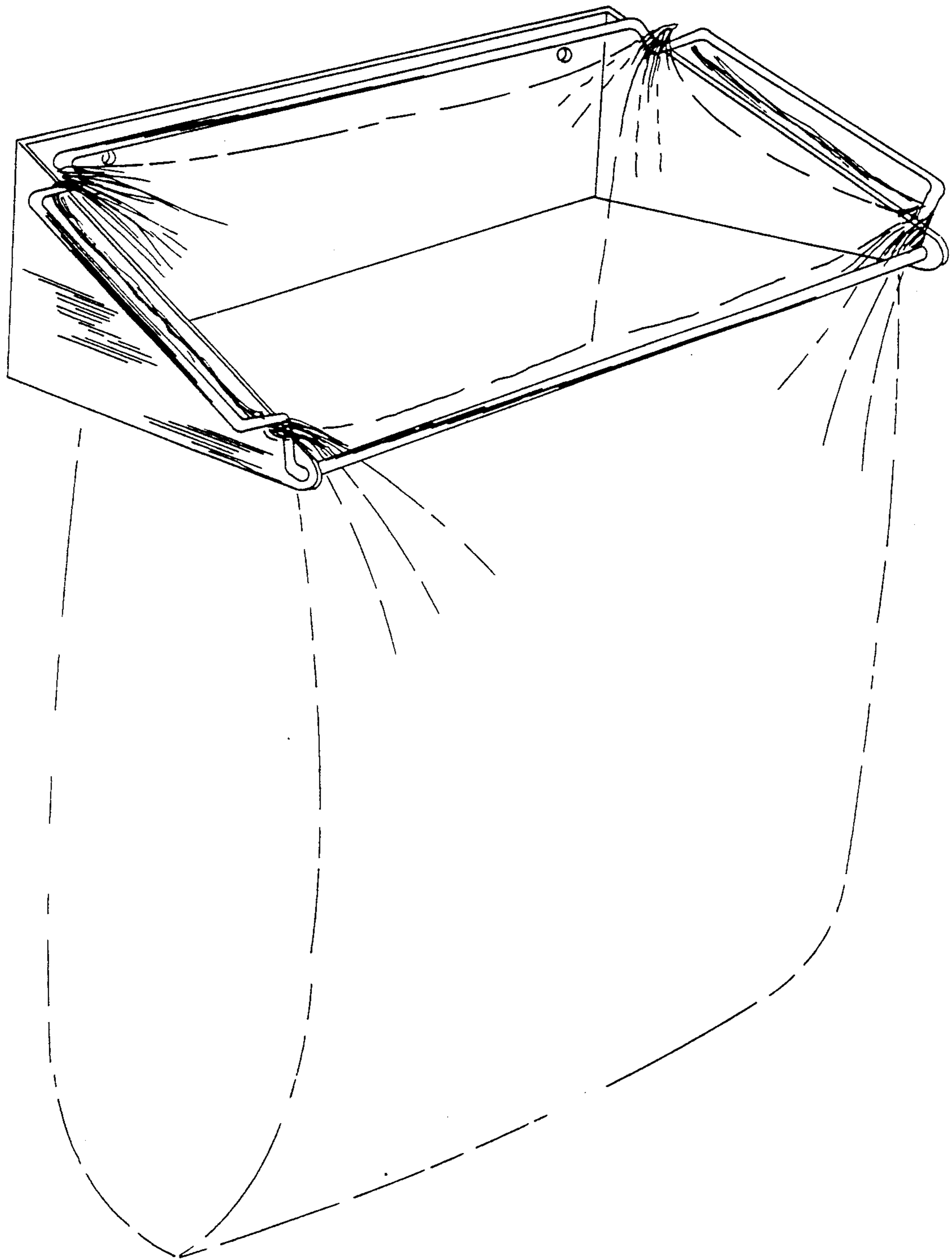


FIG-1



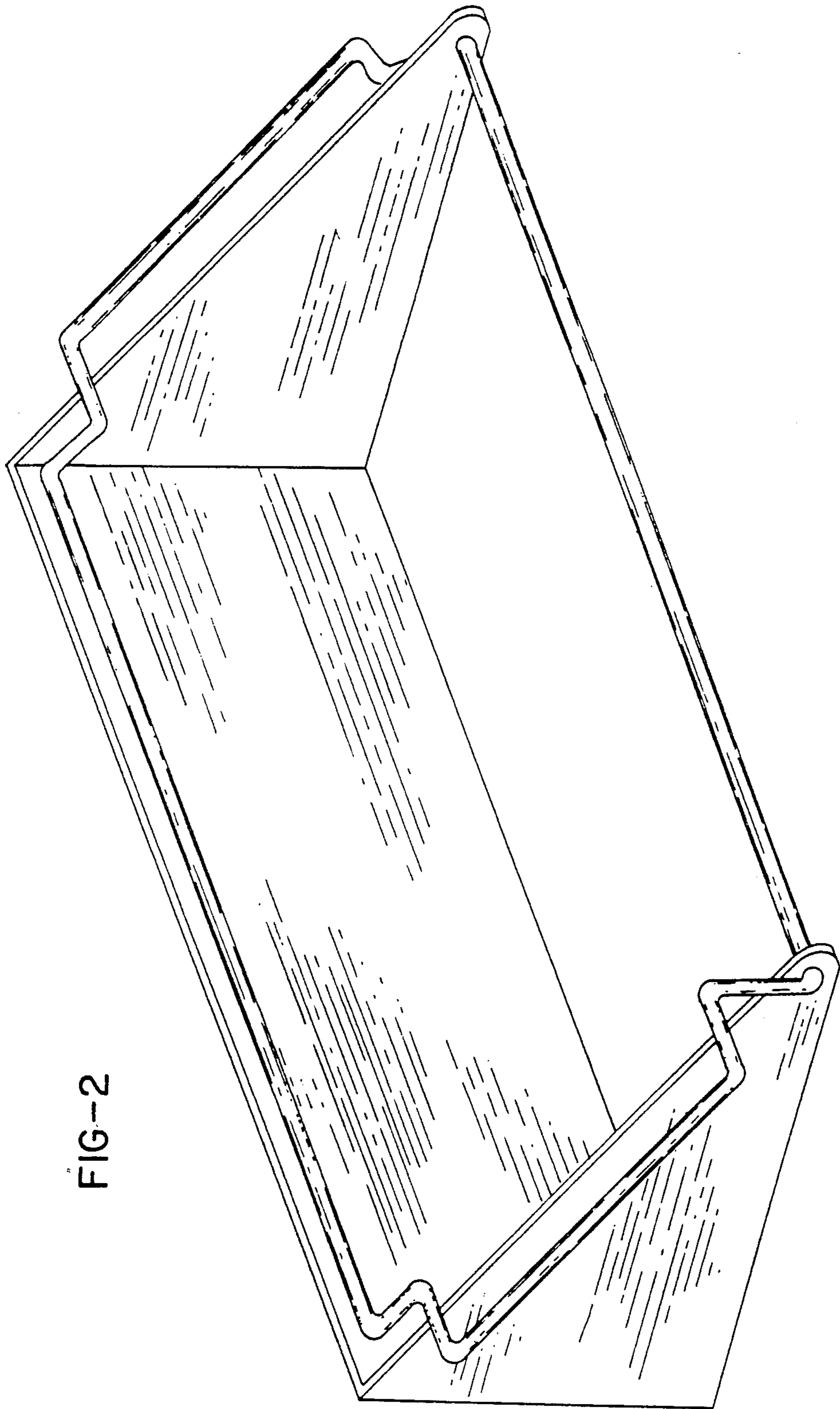


FIG-2

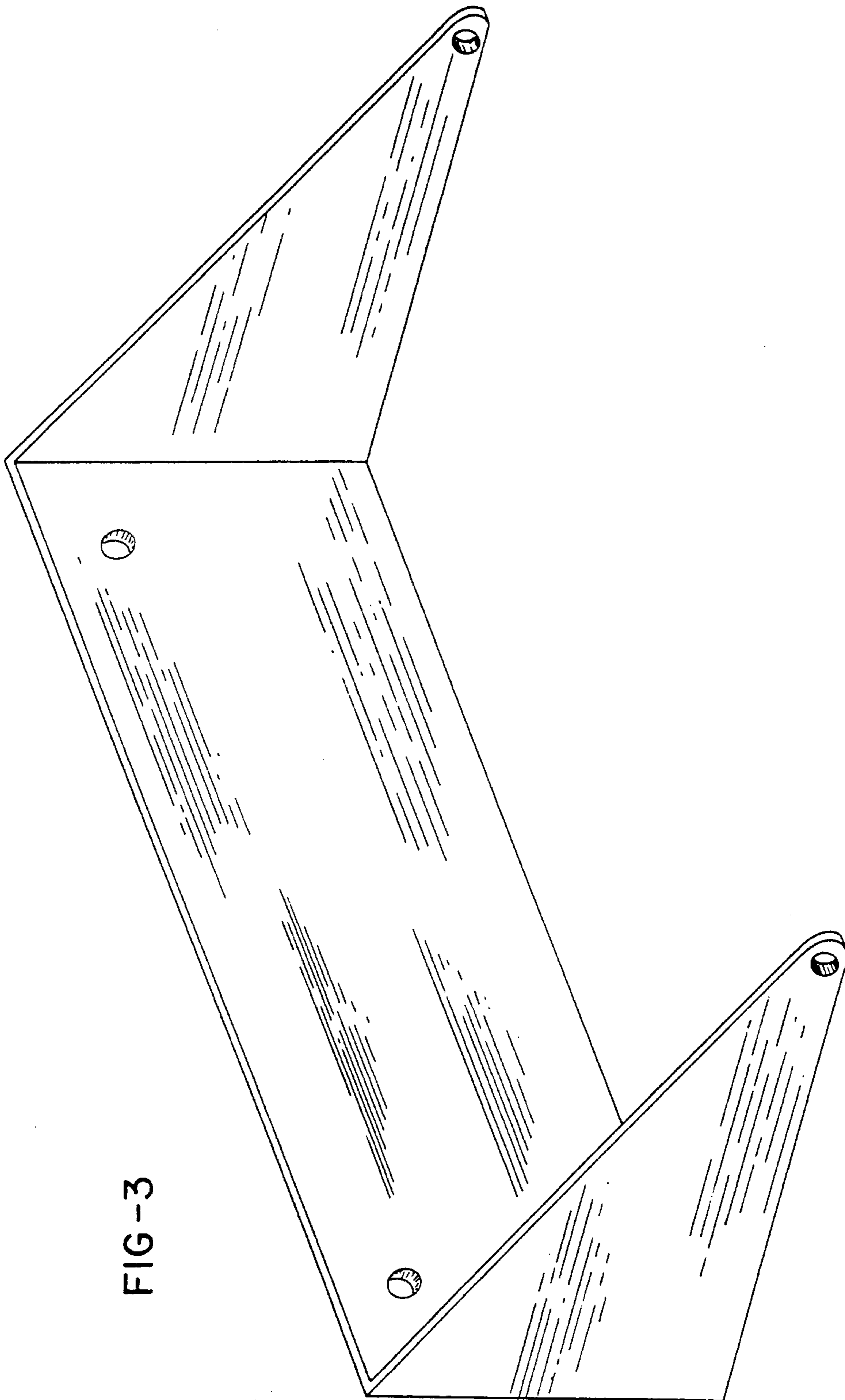


FIG-3

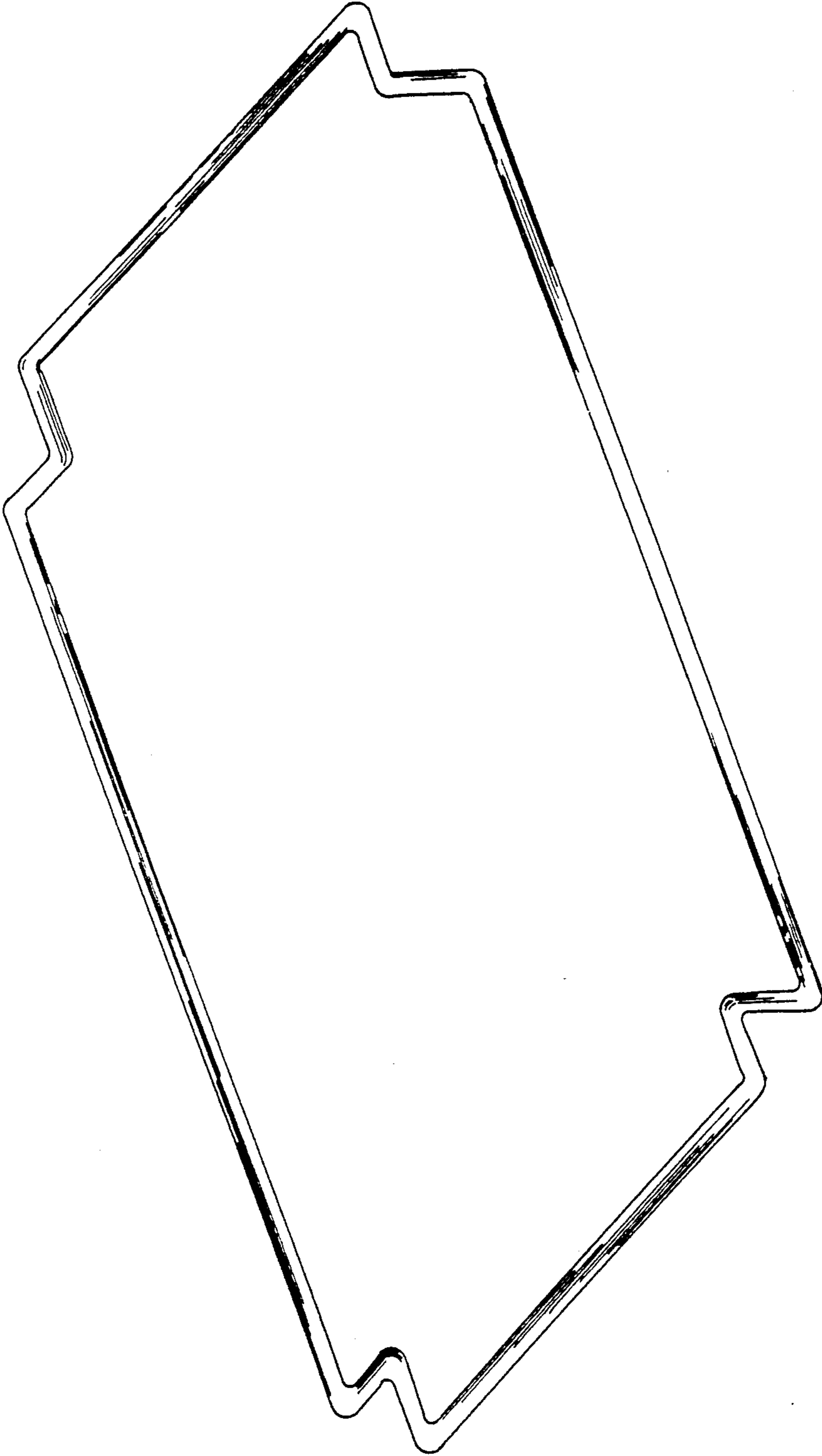


FIG-4

FIG-5

