



US00D341221S

United States Patent [19]

Elazari

[11] Patent Number: **Des. 341,221**

[45] Date of Patent: **** Nov. 9, 1993**

[54] SOLAR POWERED OUTDOOR LAMP

[75] Inventor: **Ami Elazari, Tele Aviv, Israel**

[73] Assignee: **Amitec Information Industries Ltd.,
Tel Aviv, Israel**

[**] Term: **14 Years**

[21] Appl. No.: **764,395**

[22] Filed: **Sep. 23, 1991**

[30] **Foreign Application Priority Data**

Mar. 21, 1991 [IL] Israel 17596

[52] U.S. Cl. **D26/68**

[58] Field of Search **D26/67-71,
D26/104, 105, 106, 107, 110; 362/431, 153.1,
183, 362, 363, 367, 812**

[56] **References Cited**

U.S. PATENT DOCUMENTS

D. 239,860	5/1976	Scarpa	D26/68
D. 309,786	8/1990	Chien	D26/67
D. 311,255	10/1990	Spotts	D26/67
4,841,416	6/1989	Doss	362/183
5,134,550	7/1992	Young	362/812

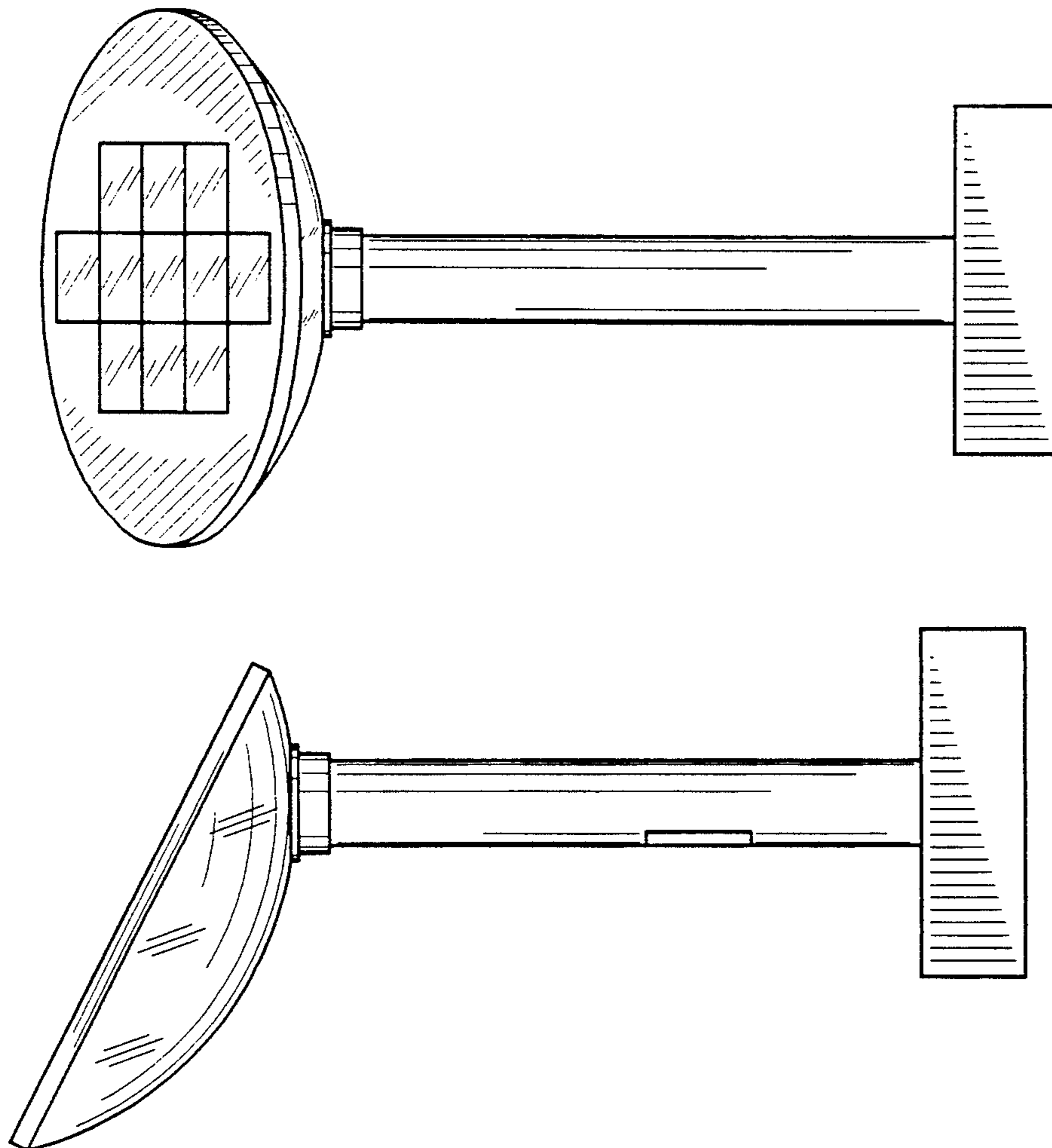
Primary Examiner—Susan J. Lucas
Attorney, Agent, or Firm—Ladas & Parry

[57] **CLAIM**

The ornamental design for solar powered outdoor lamp, as shown.

DESCRIPTION

FIG. 1 is a front elevational view of a solar powered outdoor lamp showing my new design; FIG. 2 is a rear elevational view thereof; FIG. 3 is a right side elevational view thereof; FIG. 4 is a left side elevational view thereof; FIG. 5 is a top plan view thereof; and, FIG. 6 is a bottom plan view thereof.



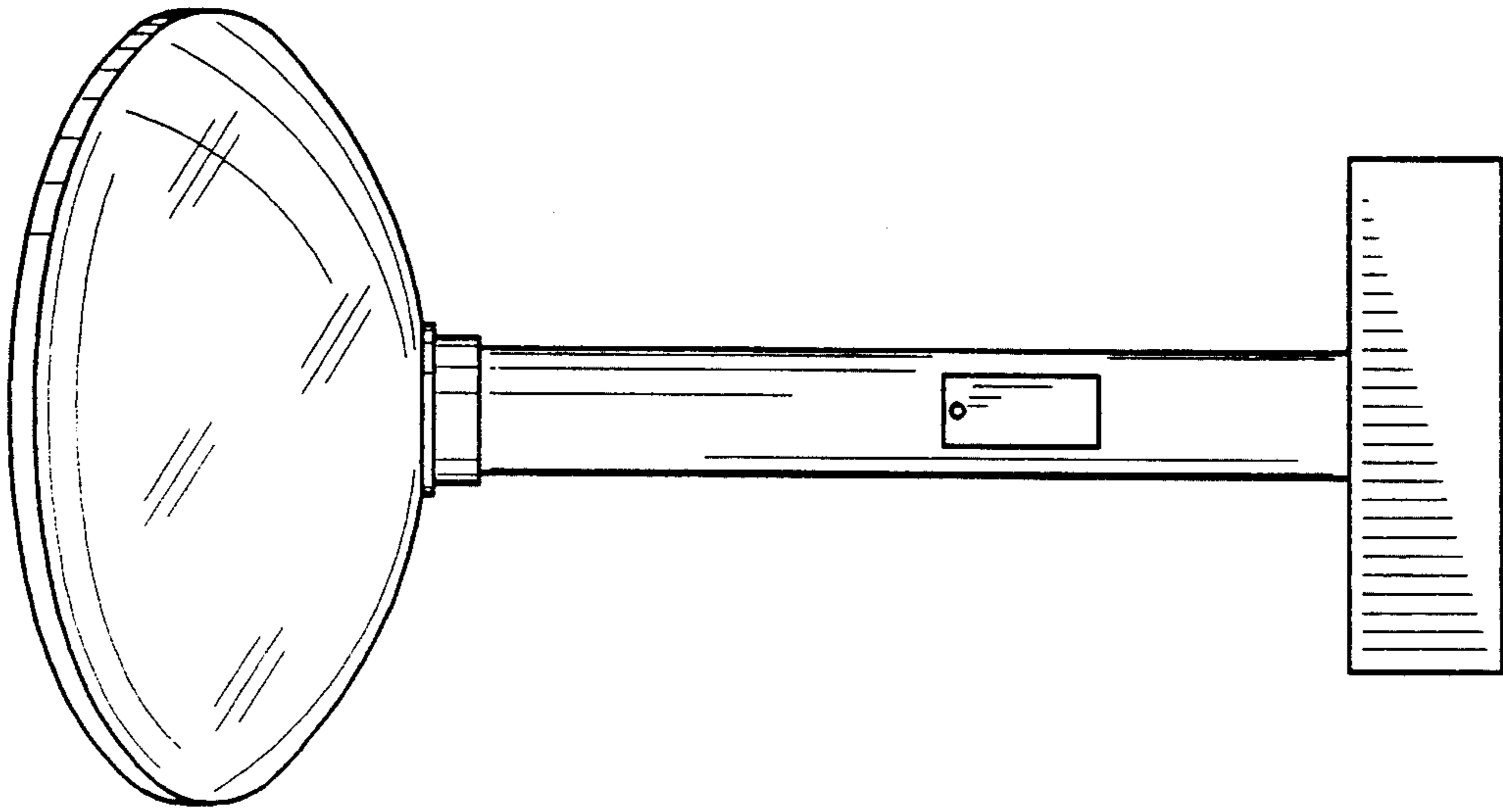


FIG. 2

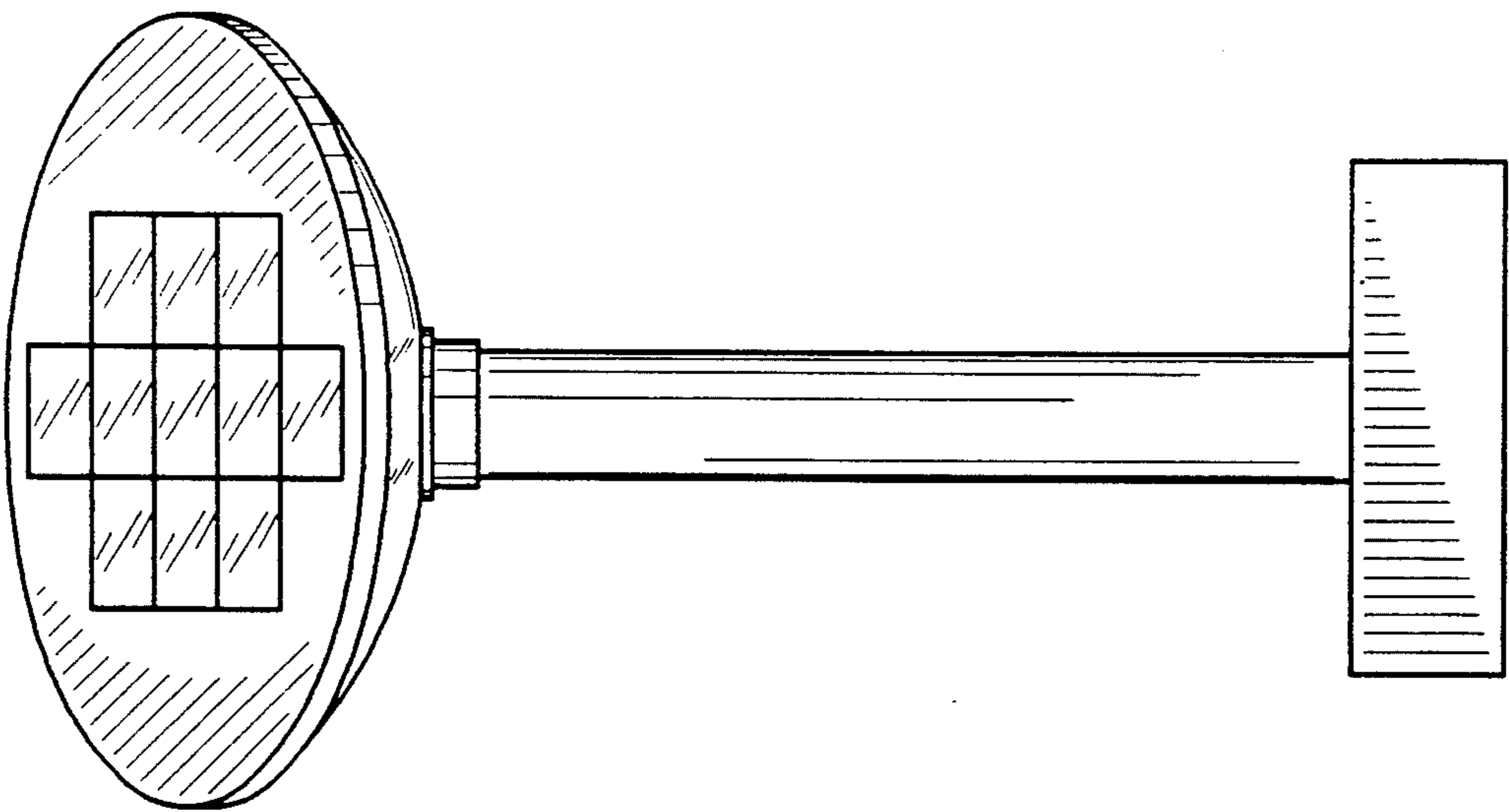


FIG. 1

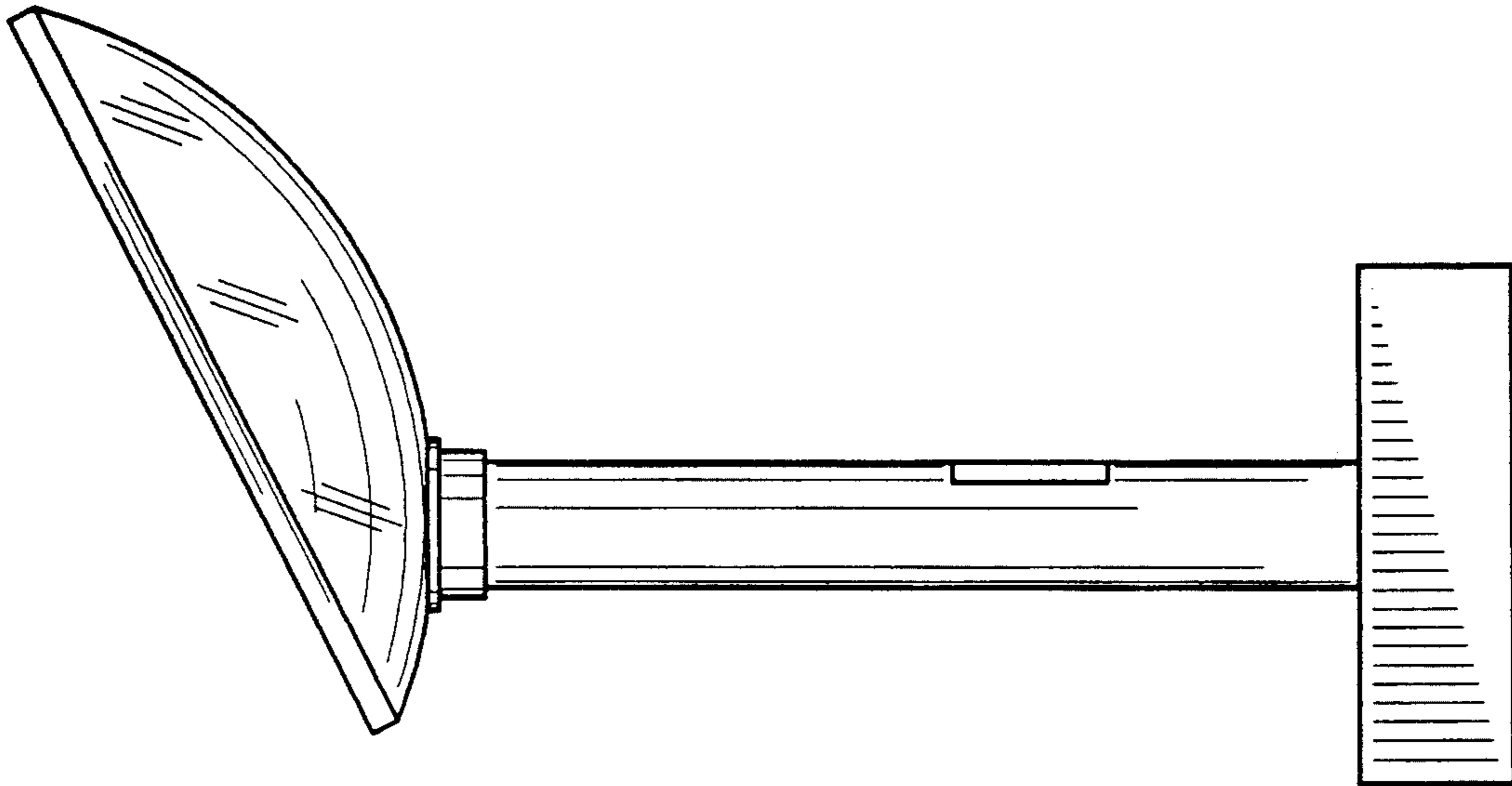


FIG. 4

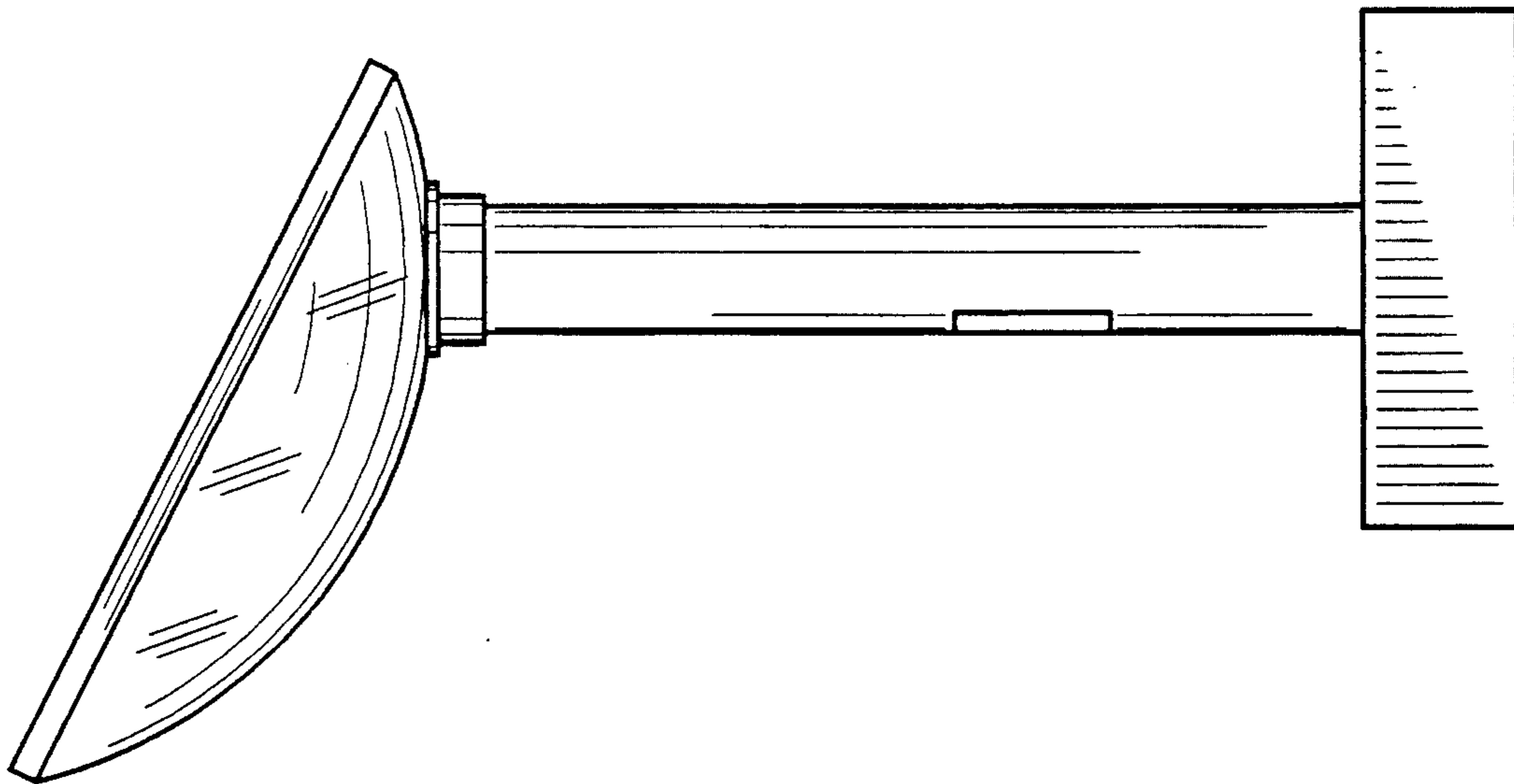


FIG. 3

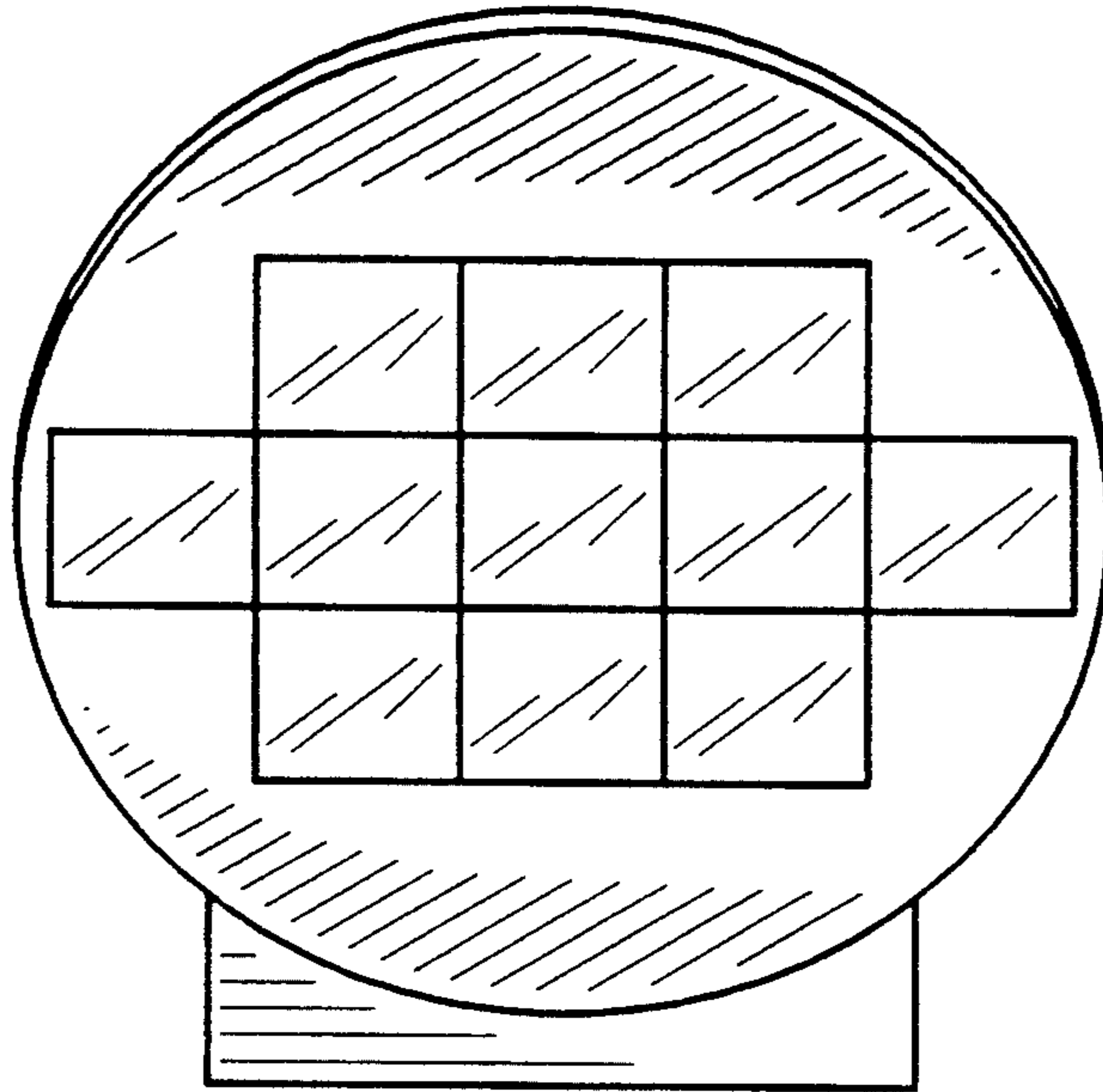


FIG. 5

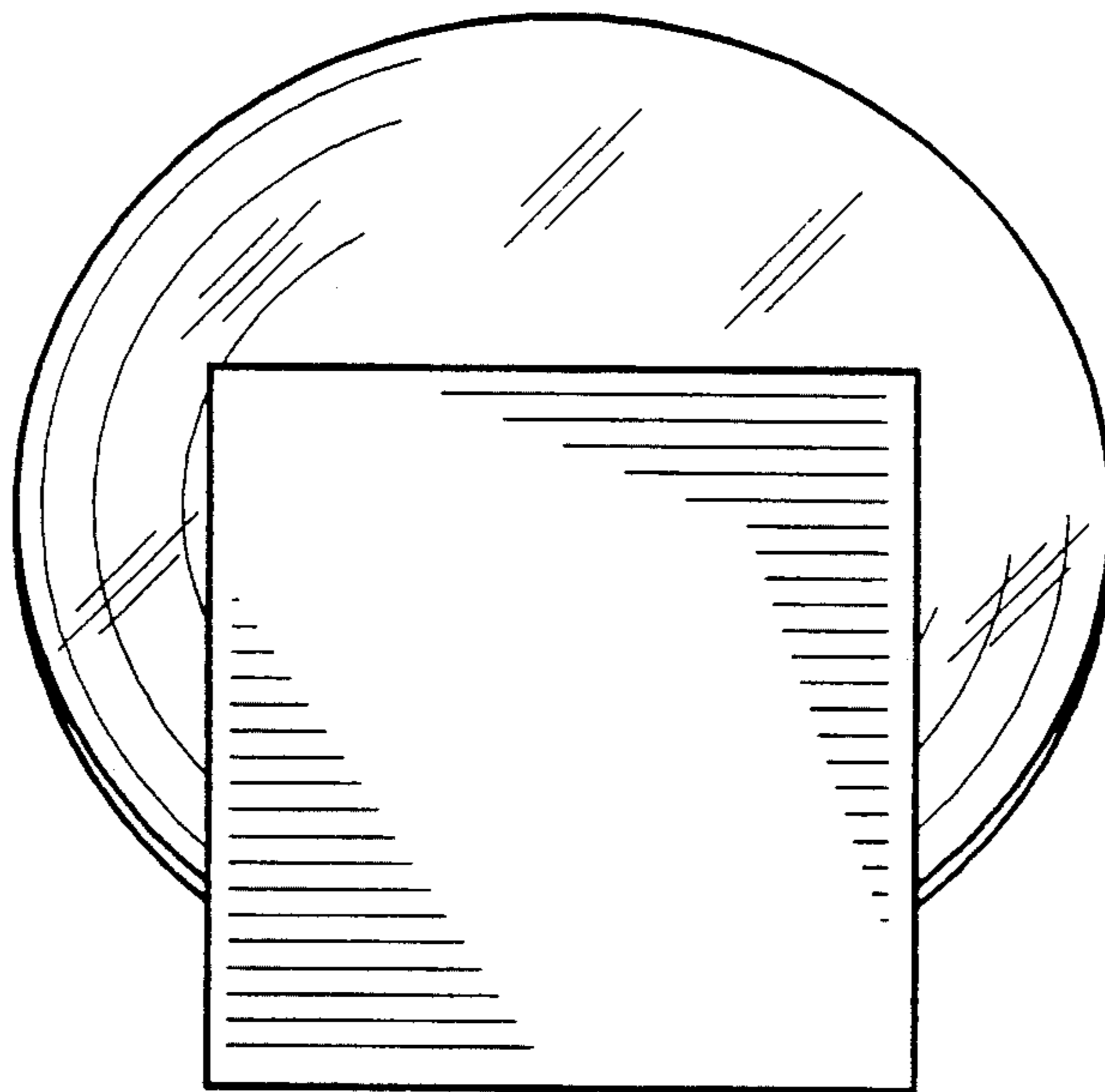


FIG. 6