



US00D341216S

# United States Patent [19]

[11] Patent Number: **Des. 341,216**

Slocomb, Jr. et al.

[45] Date of Patent: **\*\* Nov. 9, 1993**

[54] **SLIDER MASTER WINDOW FRAME**

4,662,108	5/1987	Romero et al.	49/504
4,924,628	5/1990	Ruby et al.	49/DIG. 2
4,944,118	7/1990	Bino	49/DIG. 2

[75] Inventors: **Leon F. Slocomb, Jr.; Larry P. Magee**, both of Wilmington, Del.

[73] Assignee: **Slocomb Industries**, Wilmington, Del.

*Primary Examiner*—A. Hugo Word  
*Assistant Examiner*—Doris Clark  
*Attorney, Agent, or Firm*—Connolly & Hutz

[\*\*] Term: **14 Years**

[57] **CLAIM**

[21] Appl. No.: **759,082**

The ornamental design for a slider master window frame, as shown and described.

[22] Filed: **Sep. 13, 1991**

### DESCRIPTION

[52] U.S. Cl. .... **D25/124**

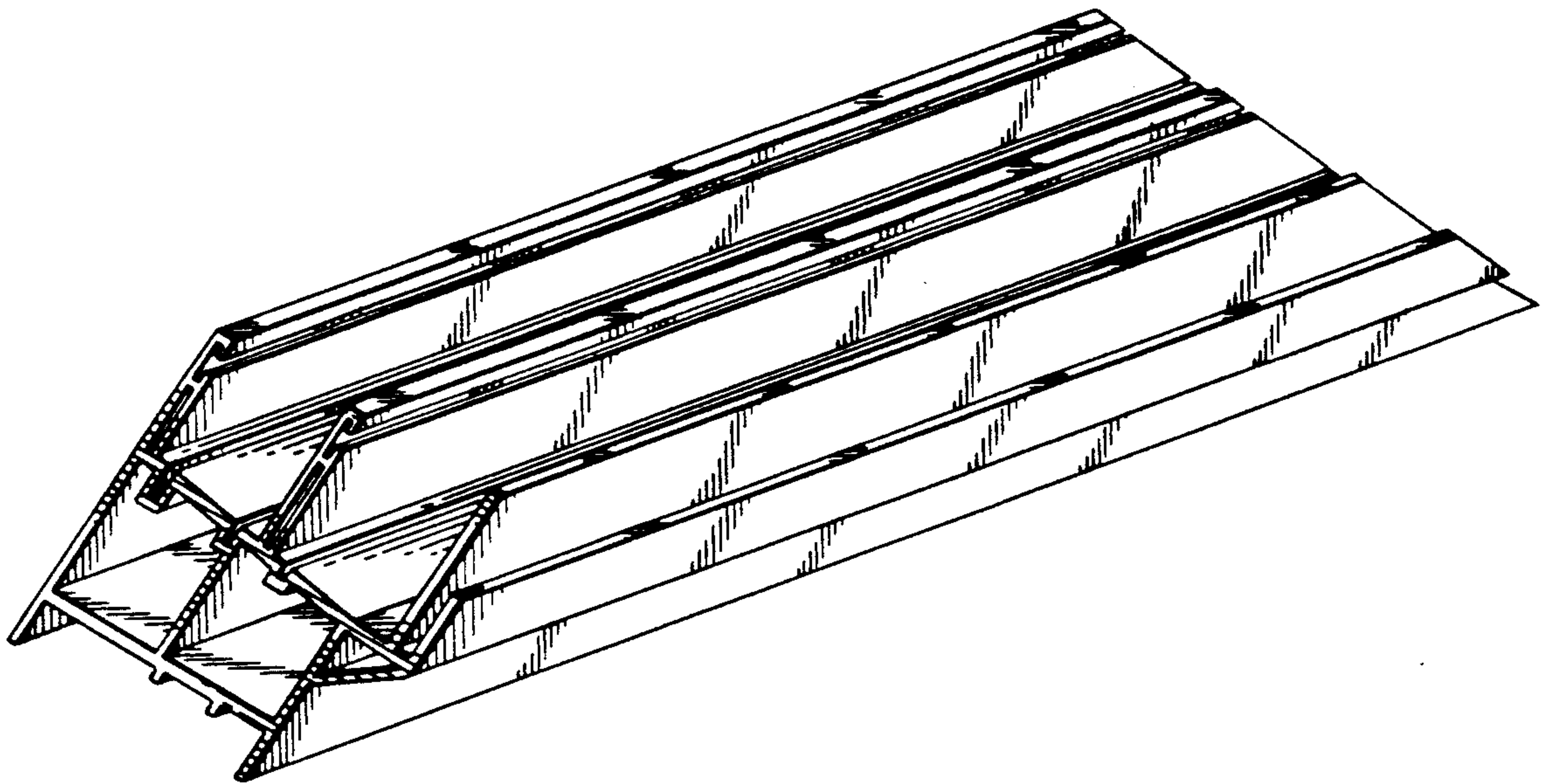
[58] Field of Search ..... D25/123-125;  
49/142-145, 155-156, 164, 504, DIG. 2

FIG. 1 is a front elevational view of a slider master window frame showing our new design;  
FIG. 2 is a top plan view thereof;  
FIG. 3 is a bottom plan view thereof;  
FIG. 4 is a rear elevational view thereof;  
FIG. 5 is an end elevational view thereof, the opposite end being a mirror image thereof; and,  
FIG. 6 is a perspective view thereof.

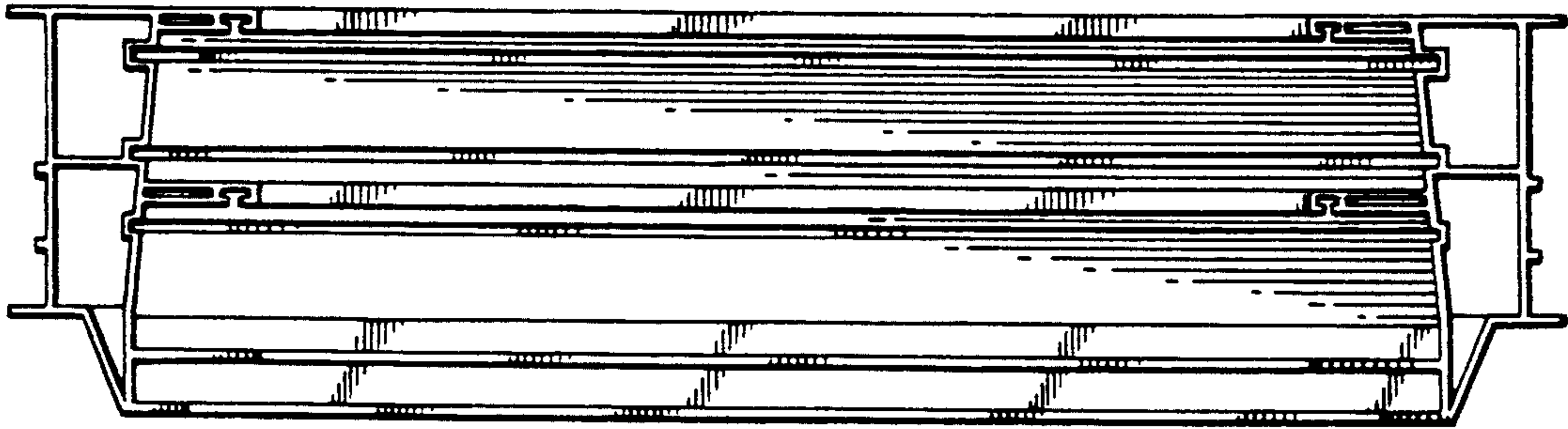
### [56] References Cited

#### U.S. PATENT DOCUMENTS

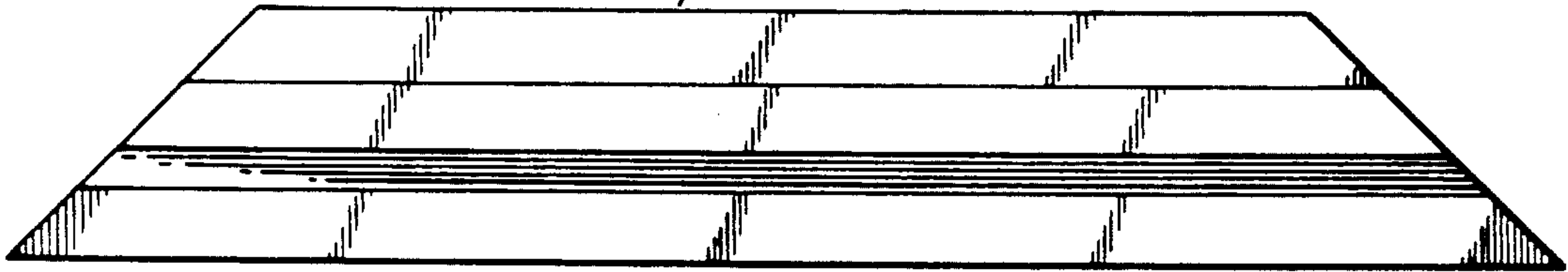
D. 307,803	5/1990	Westphal et al.	D25/124
D. 307,804	5/1990	Westphal et al.	D25/124



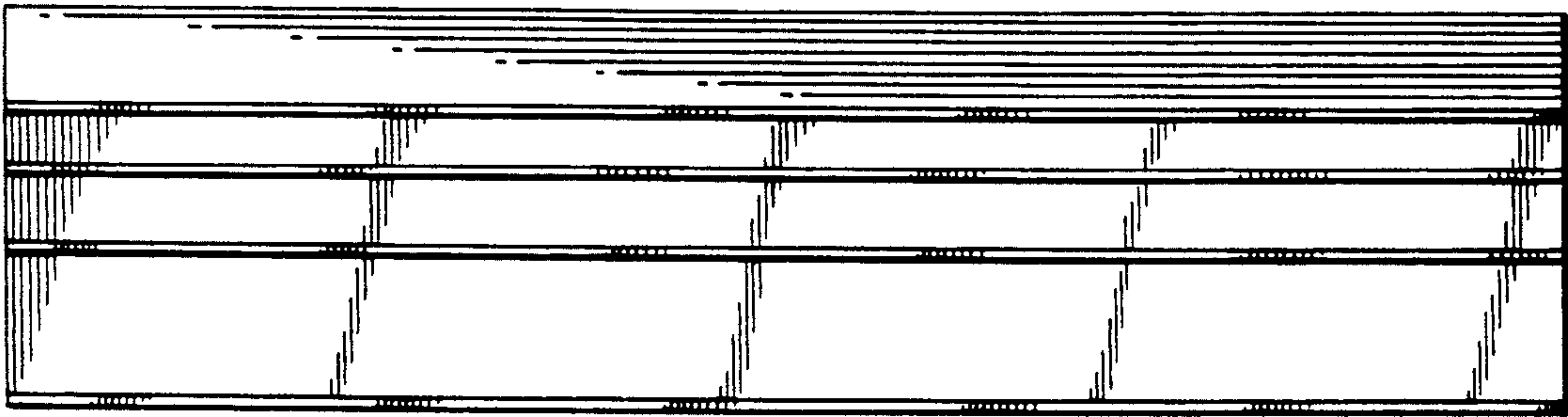
*Fig. 2.*



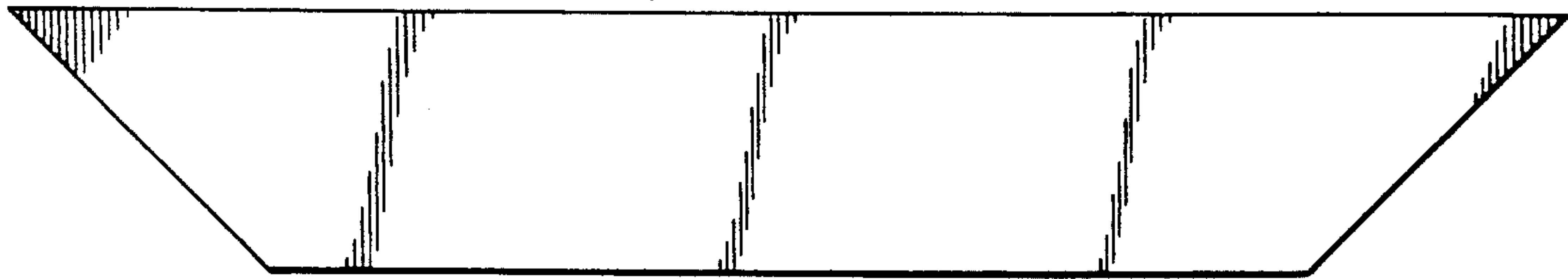
*Fig. 1.*



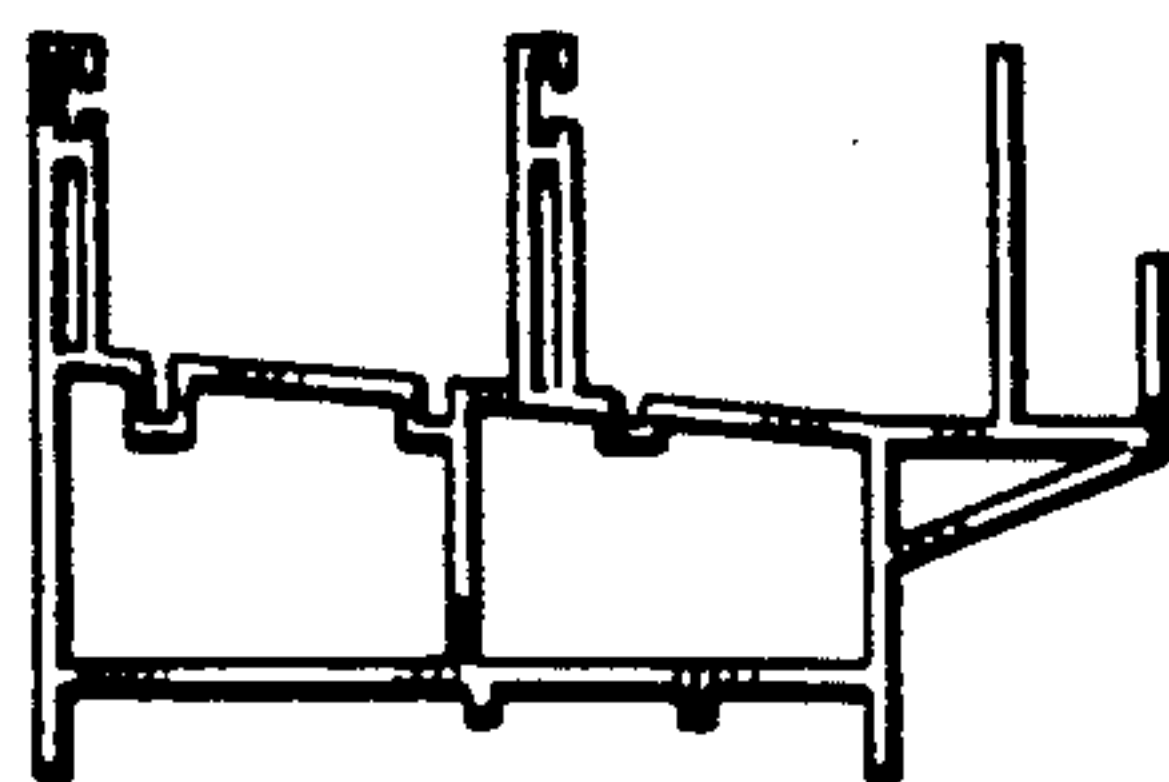
*Fig. 3.*

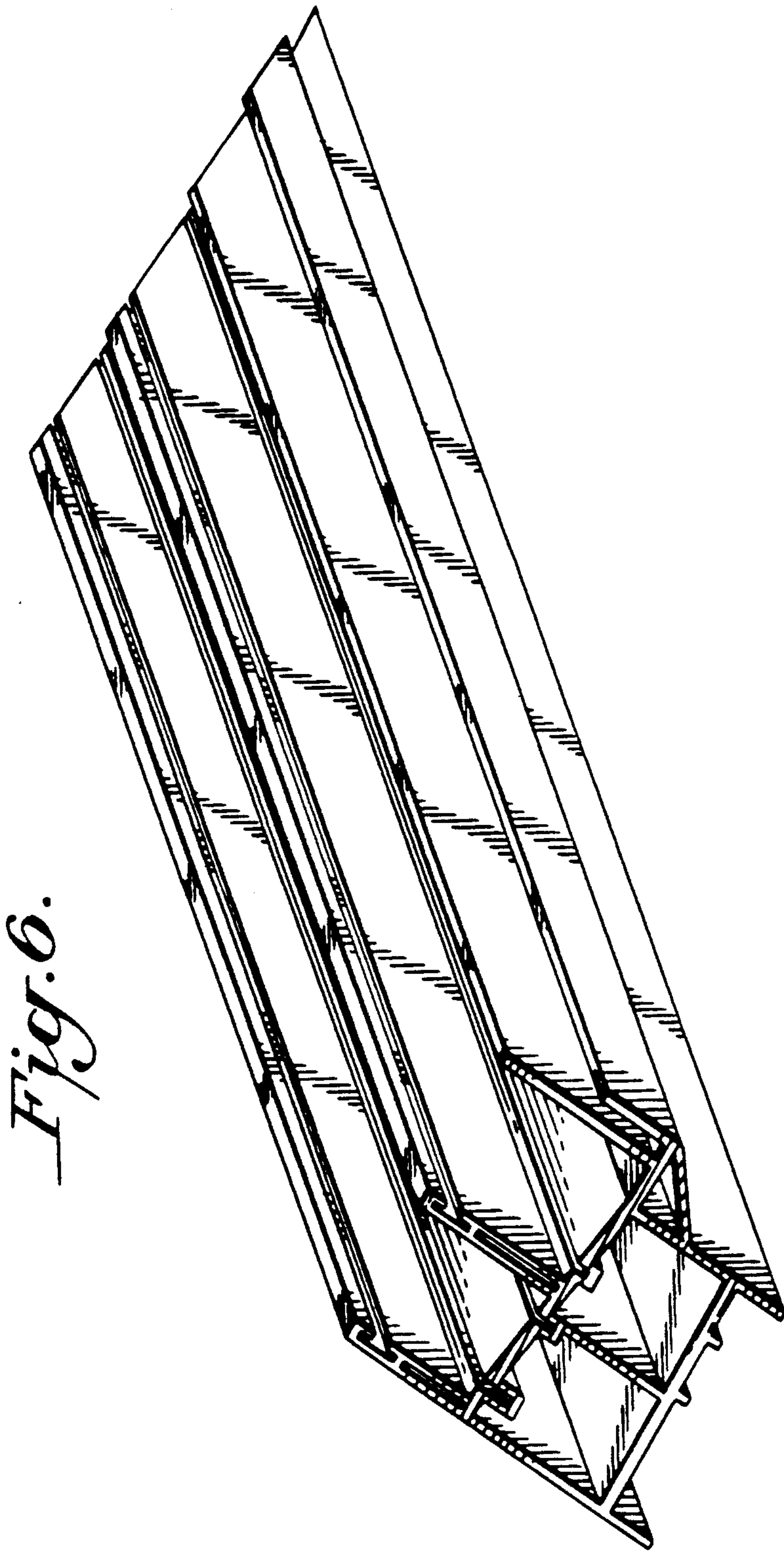


*Fig. 4.*



*Fig. 5.*





*Fig. 6.*