



US00D341214S

United States Patent [19]

[11] Patent Number: **Des. 341,214**

LeJeune

[45] Date of Patent: **** Nov. 9, 1993**

[54] **SAWHORSE LEG**

3,276,545	10/1966	D'Angelo	182/184
4,298,096	11/1981	Prior	182/186
4,565,263	1/1986	Southworth	182/184

[75] Inventor: **Robert J. LeJeune, Lafayette, La.**

[73] Assignee: **BL Manufacturing, Inc., Lafayette, La.**

Primary Examiner—A. Hugo Word
Assistant Examiner—Doris Clark

[**] Term: **14 Years**

[57] **CLAIM**

[21] Appl. No.: **764,371**

The ornamental design for sawhorse leg, as shown and described.

[22] Filed: **Sep. 23, 1991**

[52] U.S. Cl. **D25/68**

[58] Field of Search **D25/67-68;**
182/181, 184-186

DESCRIPTION

FIG. 1 is a perspective view of a sawhorse leg showing my new design;

FIG. 2 is a side elevational view thereof;

FIG. 3 is an enlarged perspective view showing the clip; and,

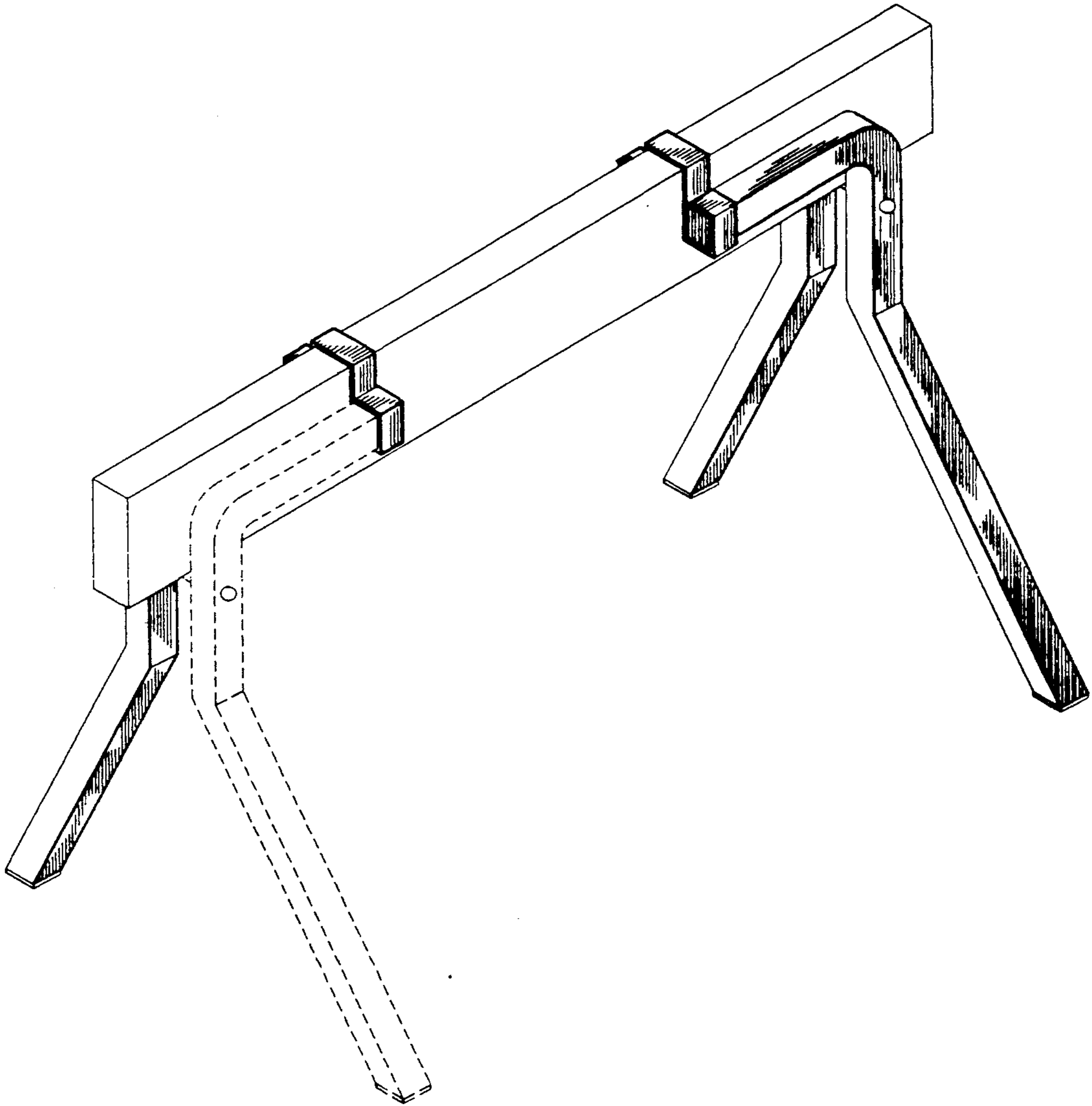
FIG. 4 is an exploded perspective view thereof.

The broken lines showing a crossmember and additional legs are for illustrative purposes only and form no part of the claimed design.

[56] **References Cited**

U.S. PATENT DOCUMENTS

D. 257,395	10/1980	Correll	D25/67
D. 279,606	7/1985	Merians	D25/67
D. 325,639	4/1992	Tavella	D25/68
3,212,606	10/1965	Span	182/185



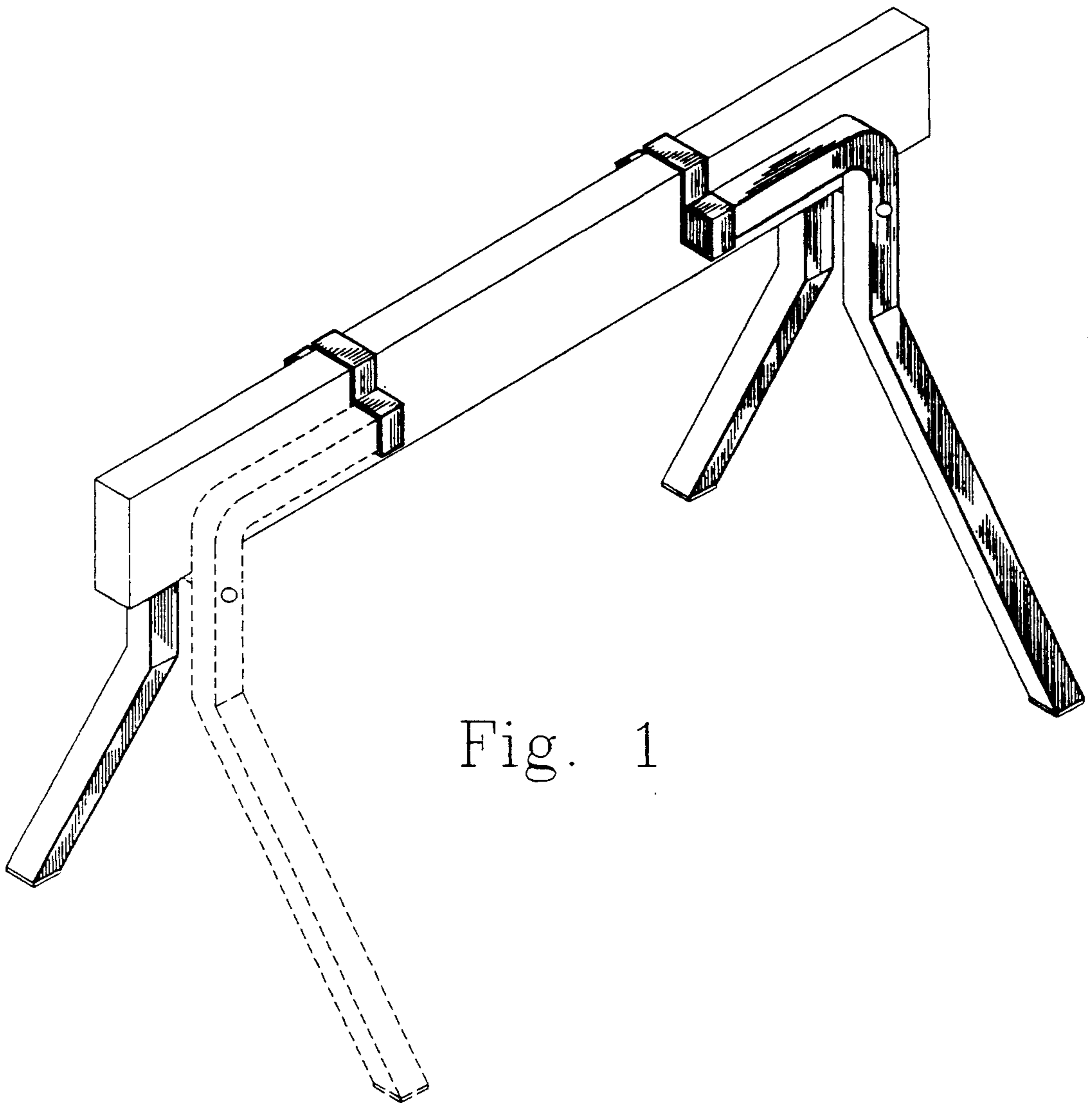


Fig. 1

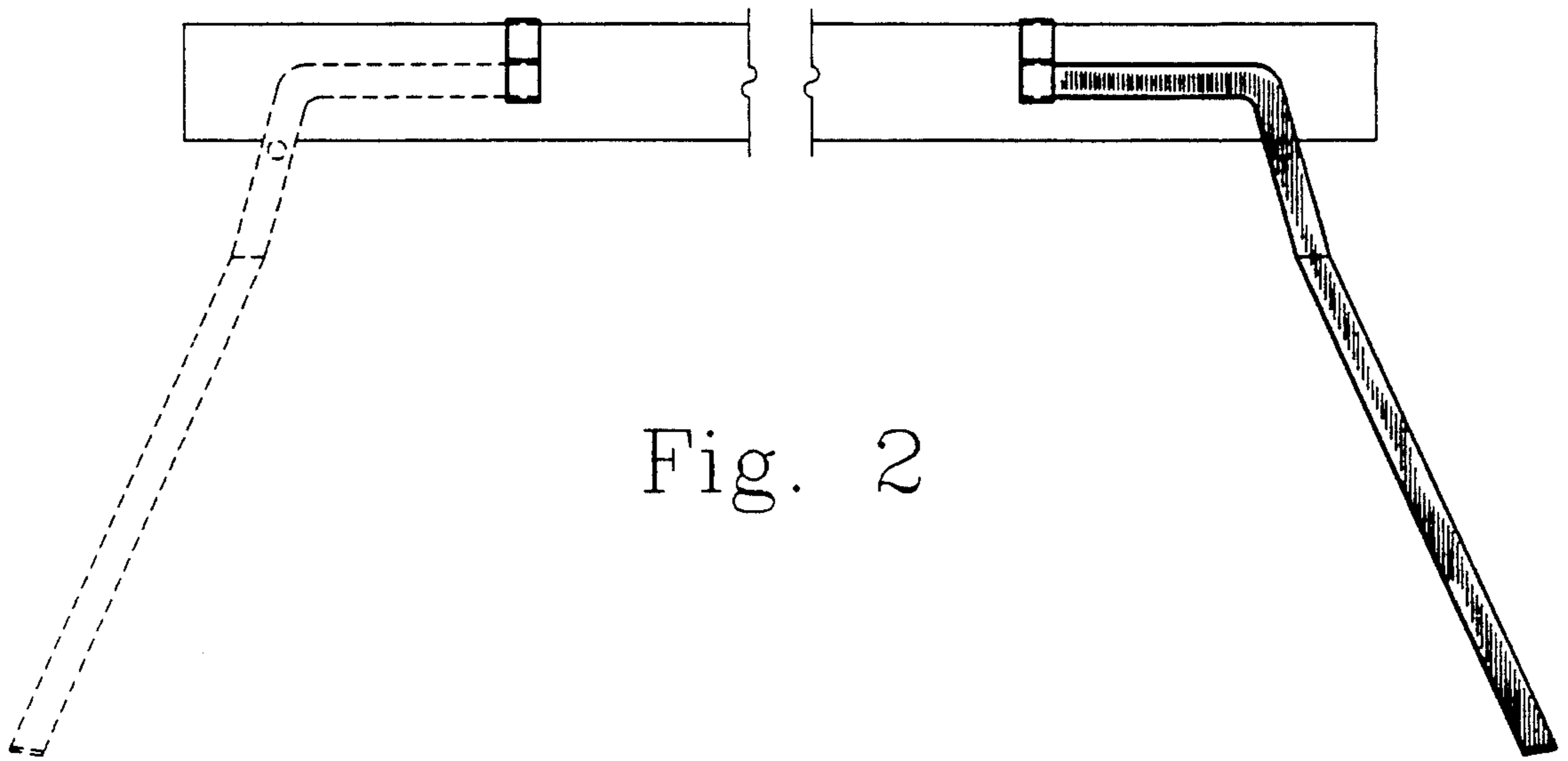


Fig. 2

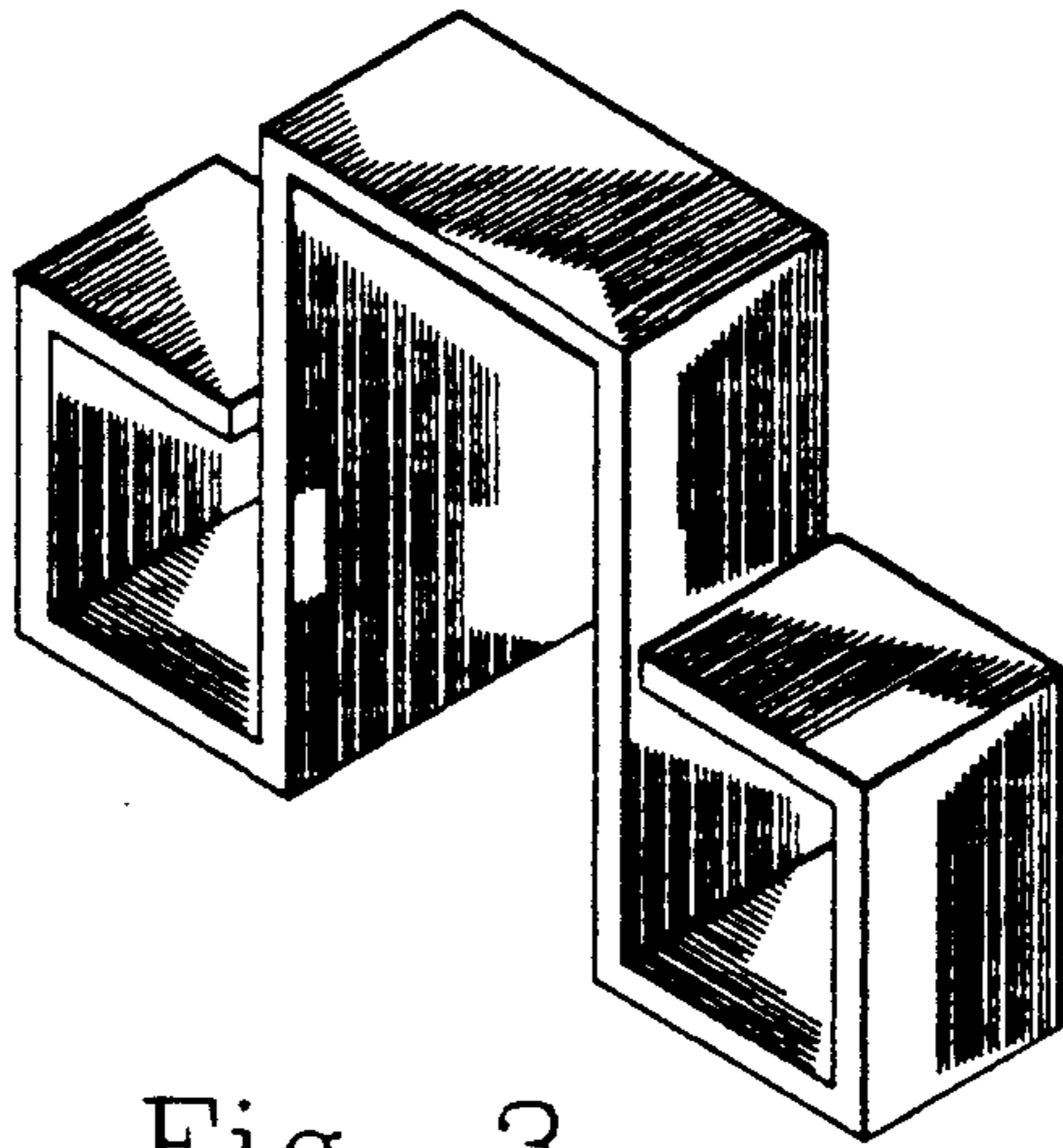


Fig. 3

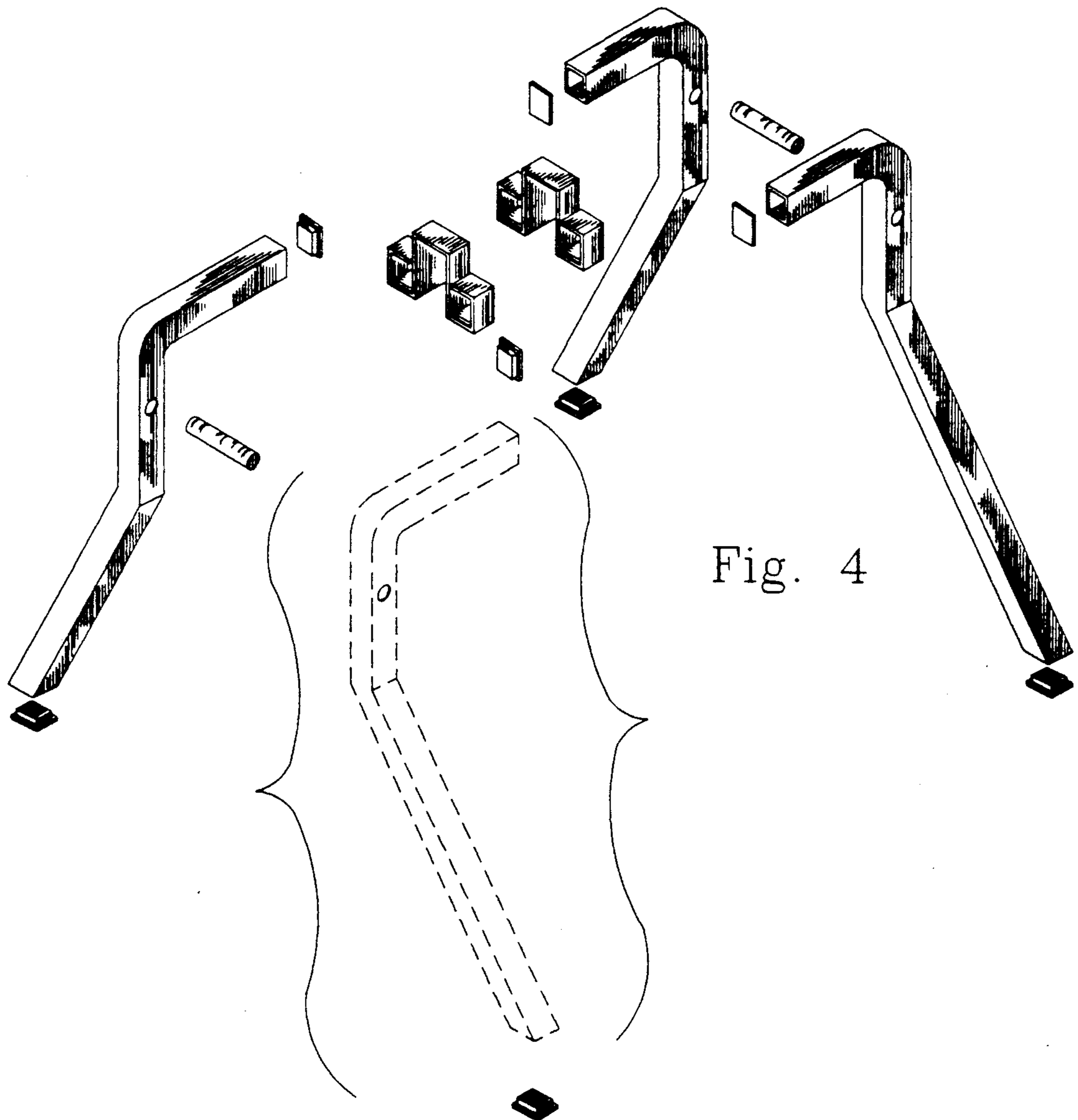


Fig. 4