



US00D341208S

# United States Patent [19]

[11] Patent Number: **Des. 341,208**

Robinson et al.

[45] Date of Patent: **\*\* Nov. 9, 1993**

[54] **ZIG-ZAG FOLDING SHUTTER**

[75] Inventors: **James W. Robinson**, 15302 SW. 100 Ct., Miami, Fla. 33157; **Jeffrey T. Robinson**, 15900 Sedgewyck Cir. N., Davie, Fla. 33331; **Andrew Bruno**, 7913 Orleans St., Miramar, Fla. 33023

341,541	5/1886	Arthur .....	D25/47
533,784	2/1895	Brill .....	49/74 L
843,462	2/1907	Hutchinson .....	D25/47
1,176,536	3/1916	Fulton .....	49/74 L
1,858,801	5/1932	Bolard .....	49/77 DG
3,125,944	3/1964	Radcliff .....	49/77 DG
3,298,424	1/1967	Griffin .....	160/113
3,485,287	12/1969	Milbourne, Sr. ....	160/183
4,386,645	6/1983	Dever et al. ....	160/183

[73] Assignees: **James W. Robinson; Jeffrey T. Robinson; Andrew Bruno**, Fla.

*Primary Examiner*—A. Hugo Word  
*Assistant Examiner*—Doris Clark  
*Attorney, Agent, or Firm*—Staas & Halsey

[\*\*] Term: **14 Years**

### [57] CLAIM

[21] Appl. No.: **709,419**

The ornamental design for a zig-zag folding shutter, as shown and described.

[22] Filed: **Jun. 3, 1991**

### DESCRIPTION

[52] U.S. Cl. .... **D25/47**

[58] Field of Search ..... **D25/47, 49; 49/74-77; 52/473, 458; 160/104, 113, 118, 183, 186-187, 196.1, 199**

**FIG. 1** is a front elevational view of a zig-zag folding shutter showing our new design;  
**FIG. 2** is a rear elevational view thereof;  
**FIG. 3** is an enlarged fragmentary cross-sectional view of the central area of a zig-zag folding shutter taken along line 3—3 of **FIG. 1**; and,  
**FIG. 4** is an enlarged perspective view of a central portion thereof.

[56] **References Cited**  
**U.S. PATENT DOCUMENTS**

D. 1,352	12/1860	Brown .....	D25/47
D. 233,626	11/1974	Williams .....	D25/125

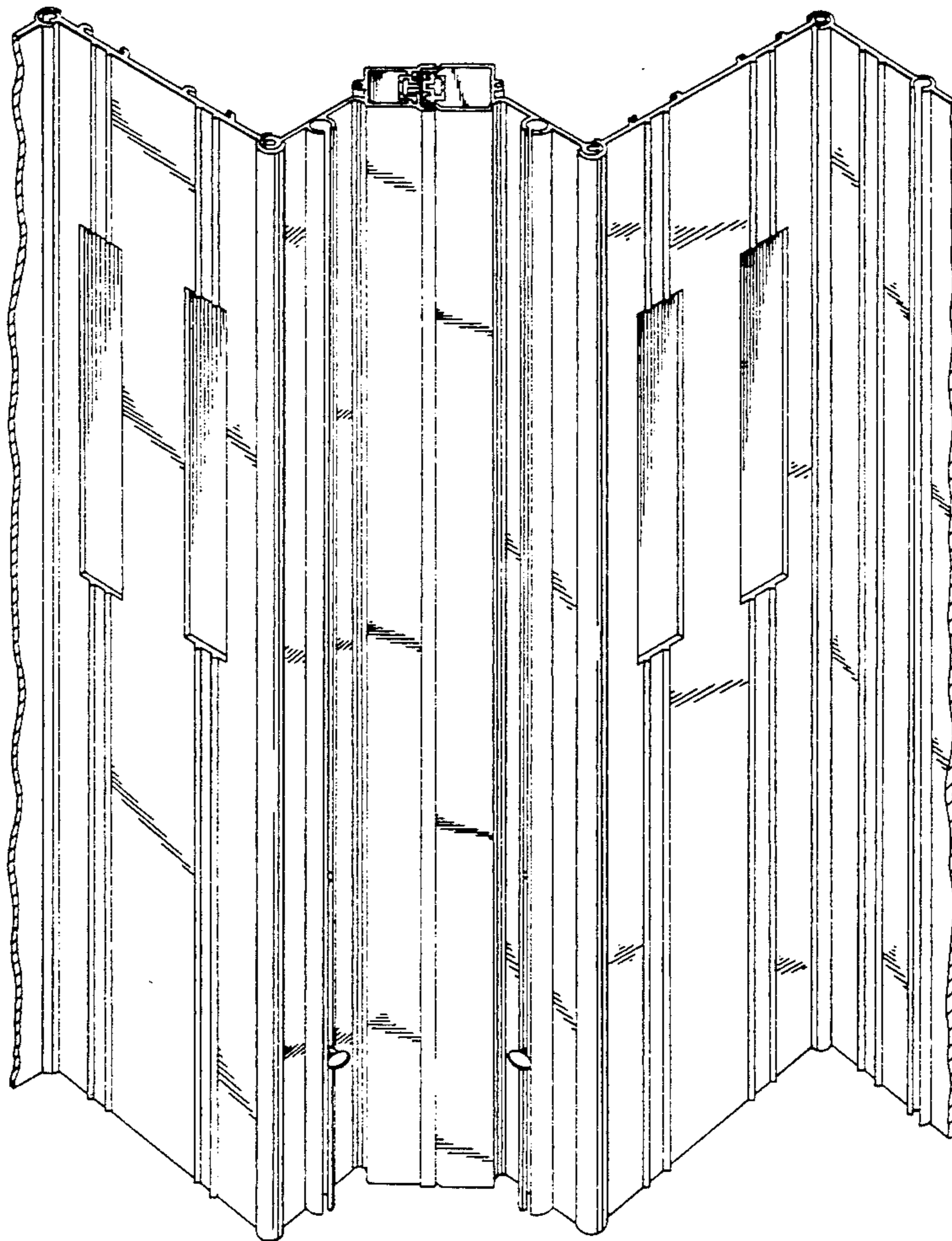


FIG. 1

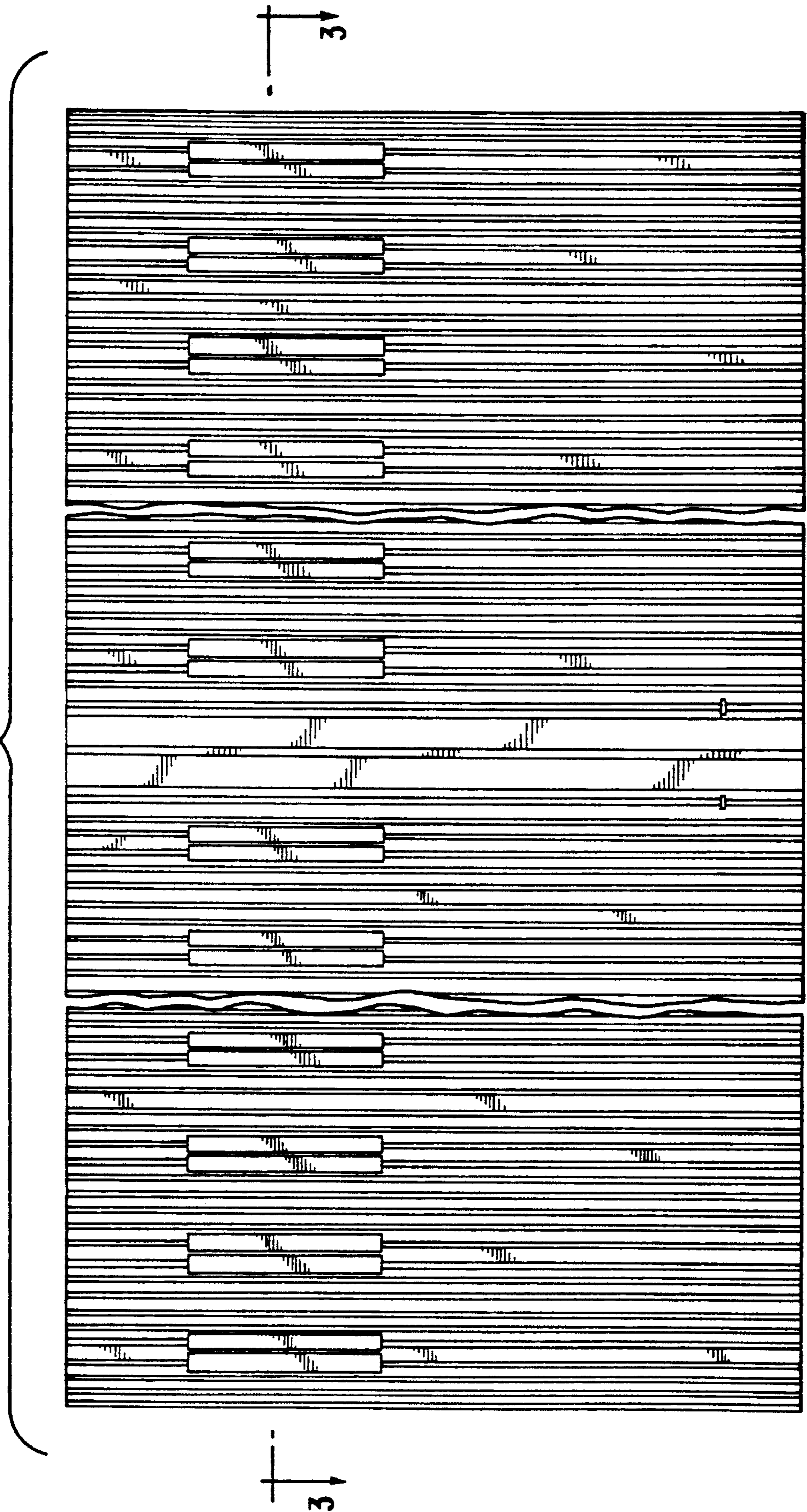
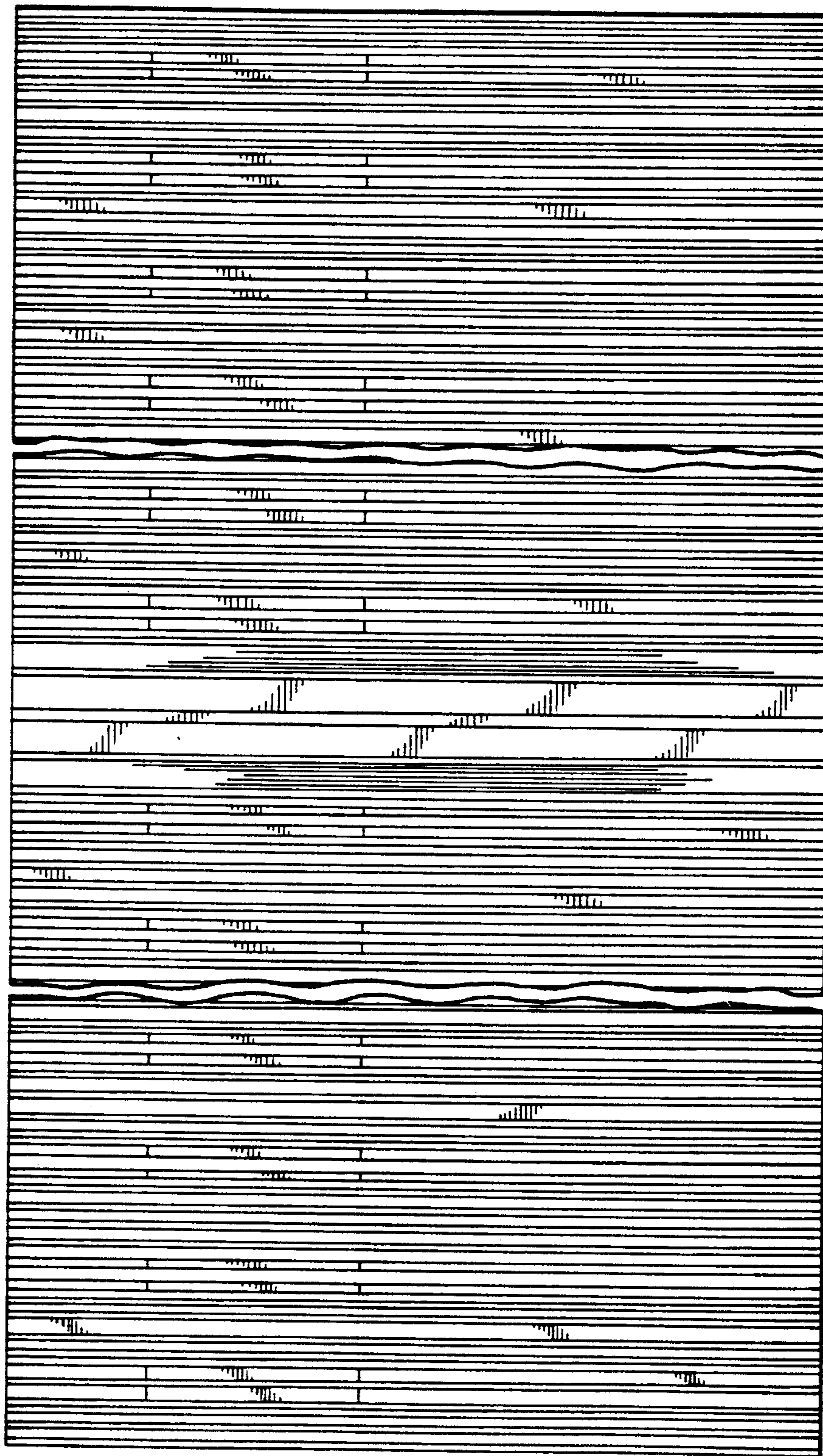




FIG. 2



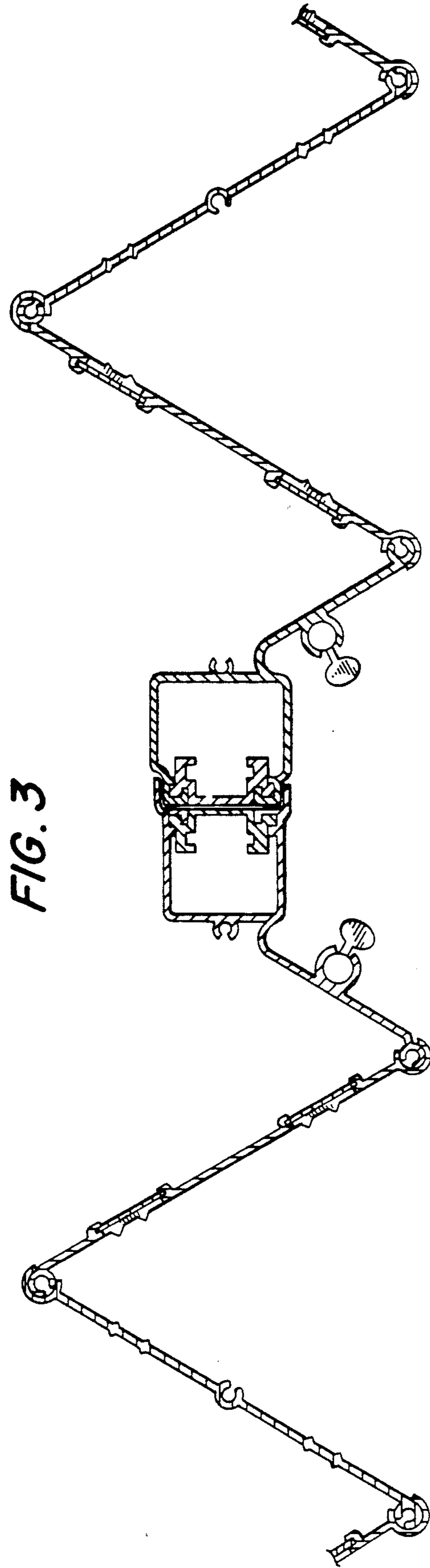


FIG. 3

FIG. 4

