



US00D341196S

# United States Patent [19]

Cheslock

[11] Patent Number: **Des. 341,196**

[45] Date of Patent: **\*\* Nov. 9, 1993**

[54] PEDESTAL FAN

4,120,615 10/1978 Keem et al. .... 416/247 R

[76] Inventor: **Edward P. Cheslock**, 820 Lincoln Ave., P.O. Box 891, West Chester, Pa. 19380-0294

[\*\*] Term: **14 Years**

[21] Appl. No.: **3,113**

[22] Filed: **Dec. 28, 1992**

[52] U.S. Cl. .... **D23/378**

[58] Field of Search ..... **D23/370, 371, 378, 381, D23/335, 336, 337, 382; 416/244 R, 247 R; 392/365-369, 373; D6/495, 496, 499, 486, 455, 456, 457, 458, 459, 460, 461; 248/676, 125**

[56] **References Cited**

### U.S. PATENT DOCUMENTS

D. 104,940	6/1937	Hueglin	.....	D23/378
D. 115,287	6/1939	Evans	.....	D6/459
D. 291,352	8/1987	Kouno et al.	.....	D23/378

### OTHER PUBLICATIONS

Tatung Fan Co. Cat, p. 1, Fan TSHV-18, left side of page, Cooling (Except Ceiling Fans) Cat Box.

*Primary Examiner*—Wallace R. Burke  
*Assistant Examiner*—Lisa Lichtenstein  
*Attorney, Agent, or Firm*—Z. T. Wobensmith, III

### [57] CLAIM

The ornamental design for a pedestal fan, as shown and described.

### DESCRIPTION

FIG. 1 is a front elevational view of a pedestal fan showing my new design;  
FIG. 2 is a rear elevational view thereof;  
FIG. 3 is a top plan view thereof;  
FIG. 4 is a bottom plan view thereof; and,  
FIG. 5 is a left side elevational view thereof, the right side being a mirror image of that shown.

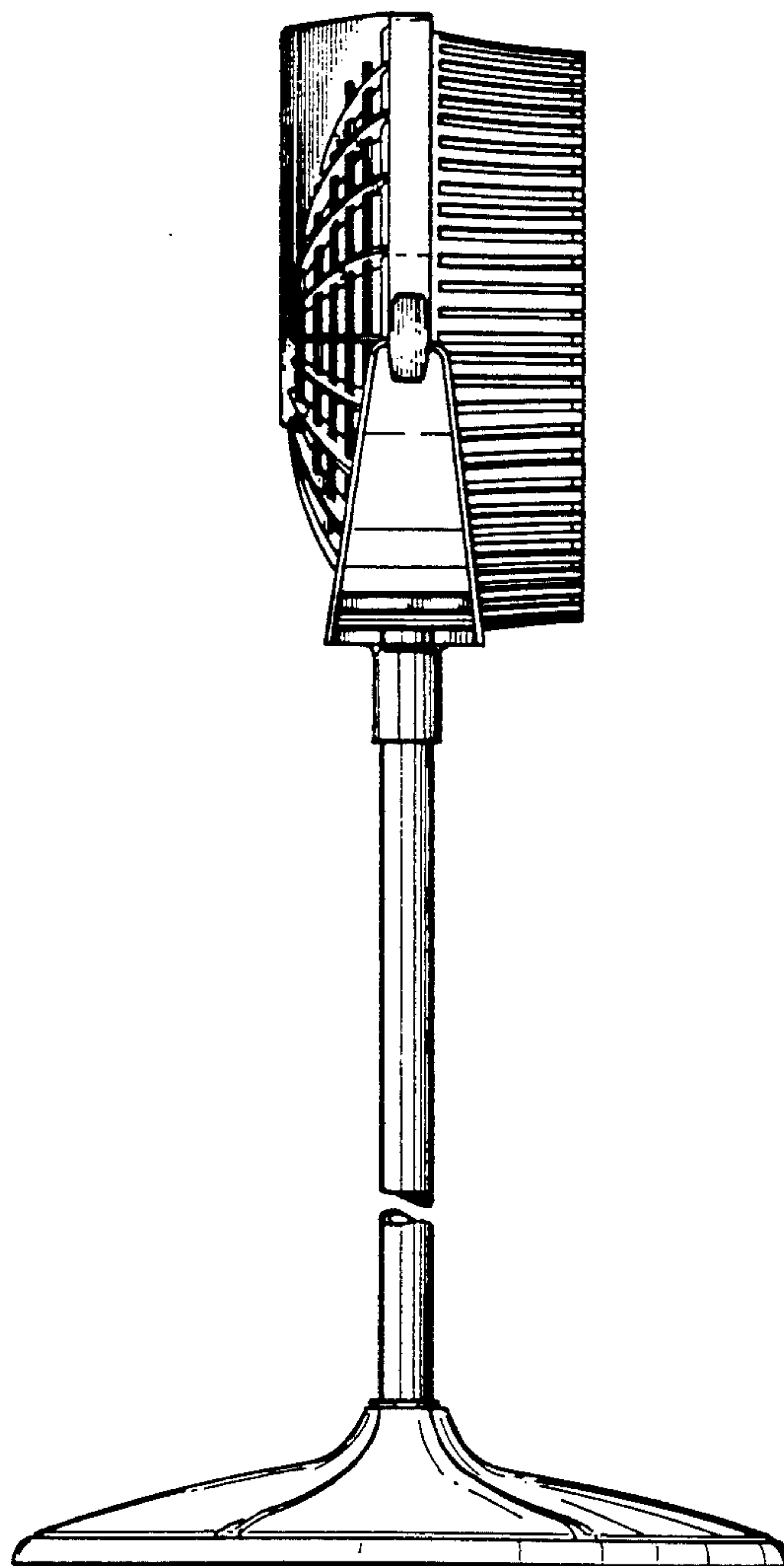
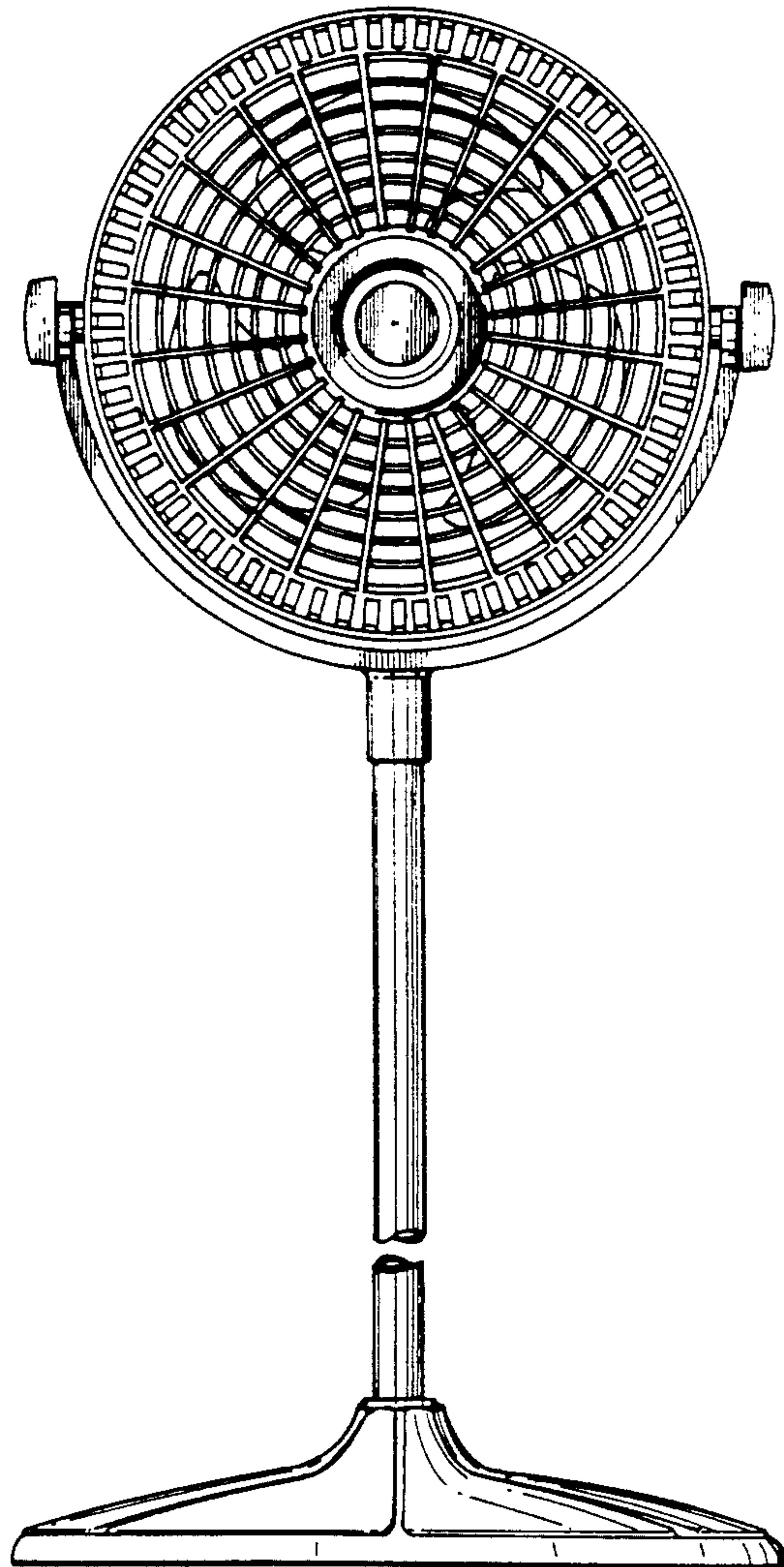


FIG. 1

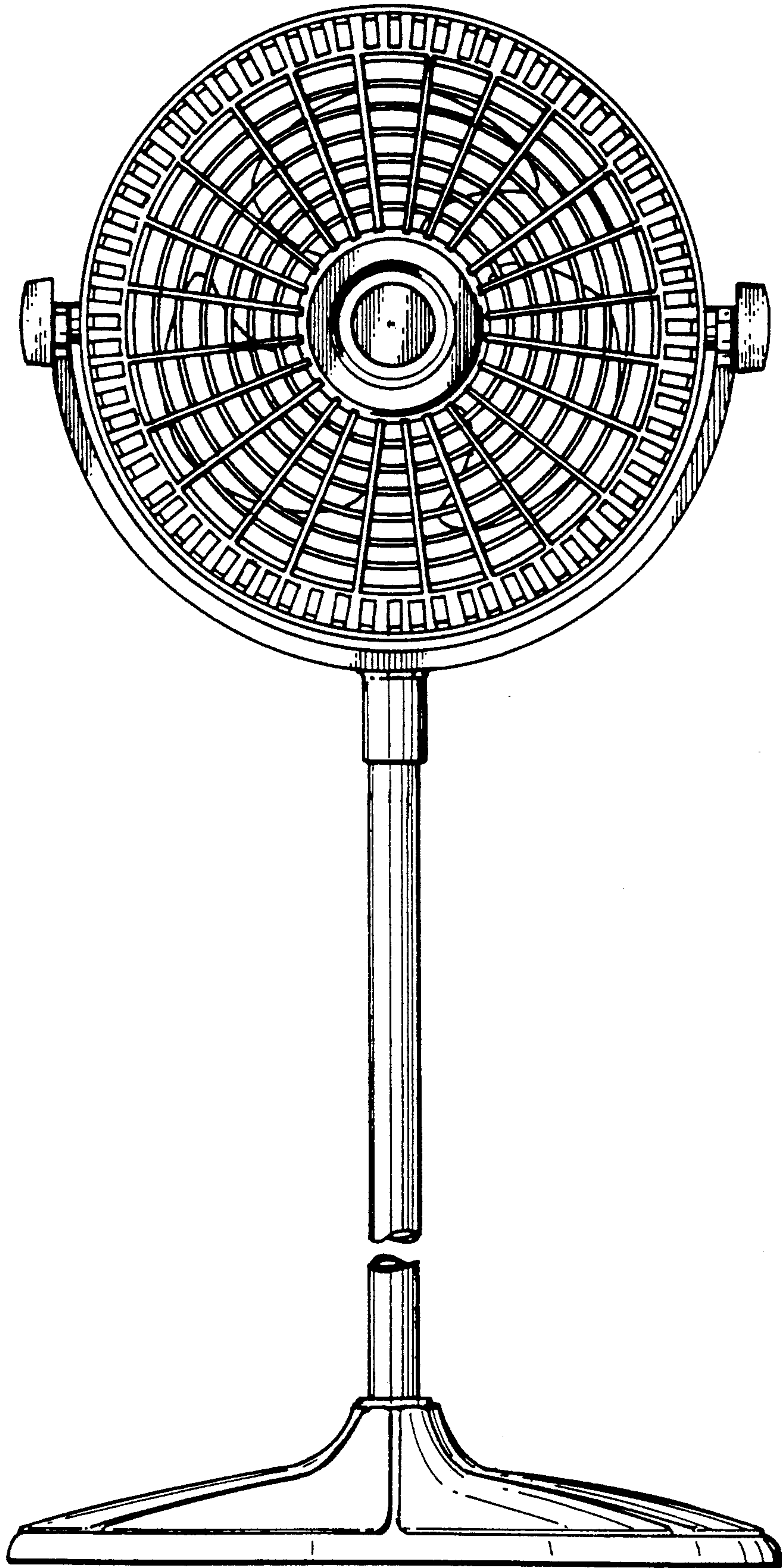




FIG. 2

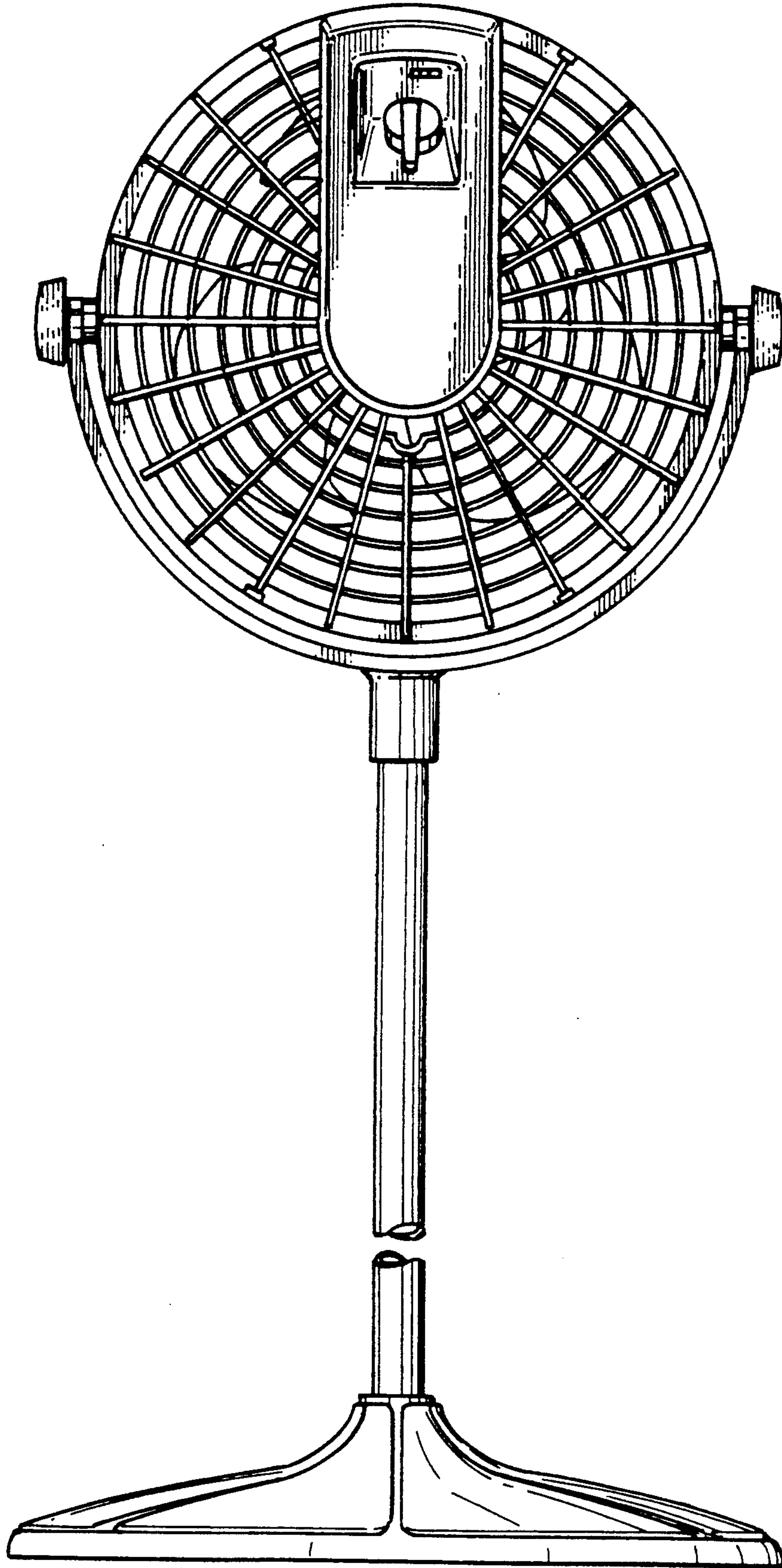


FIG. 3

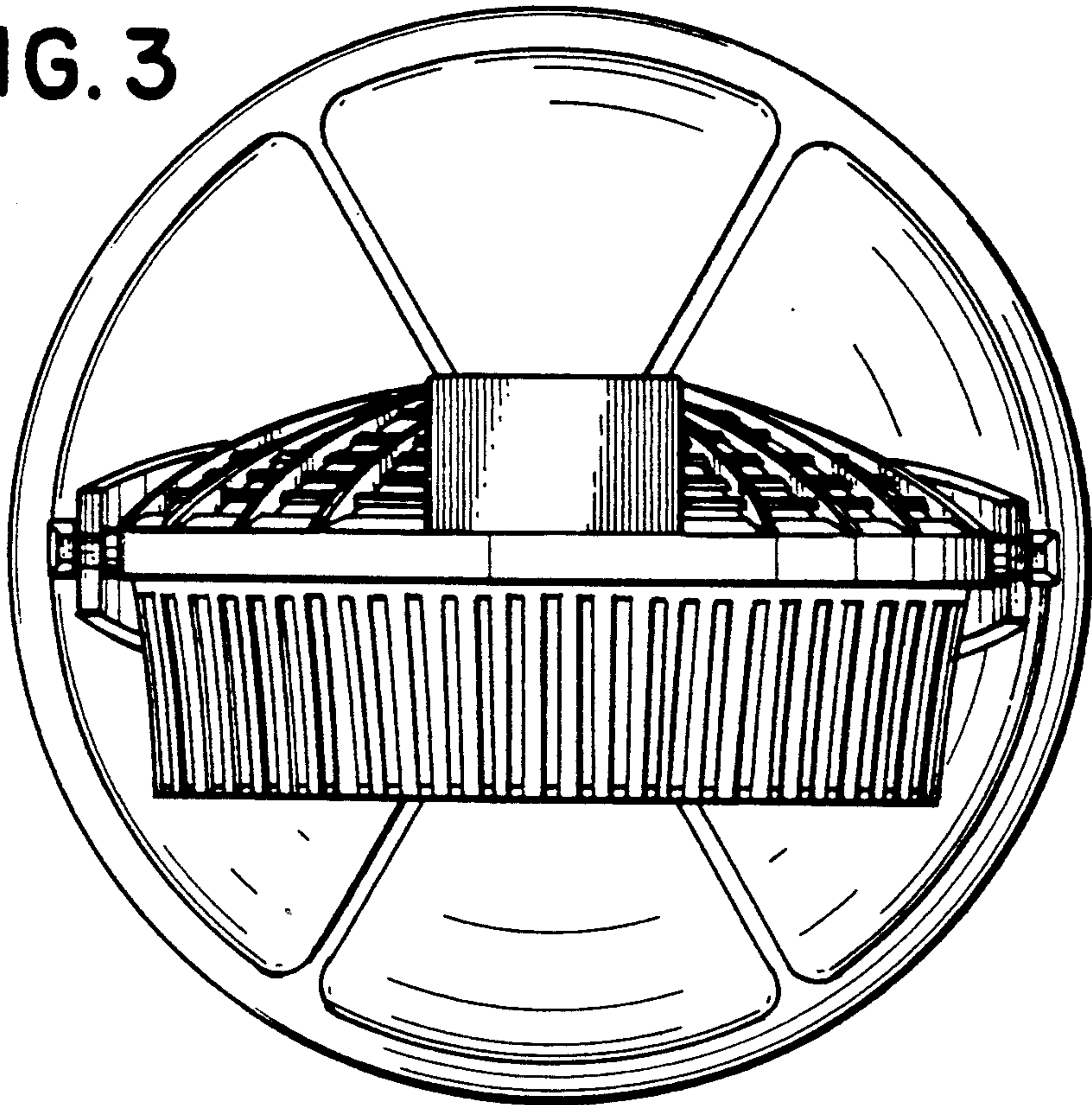


FIG. 4

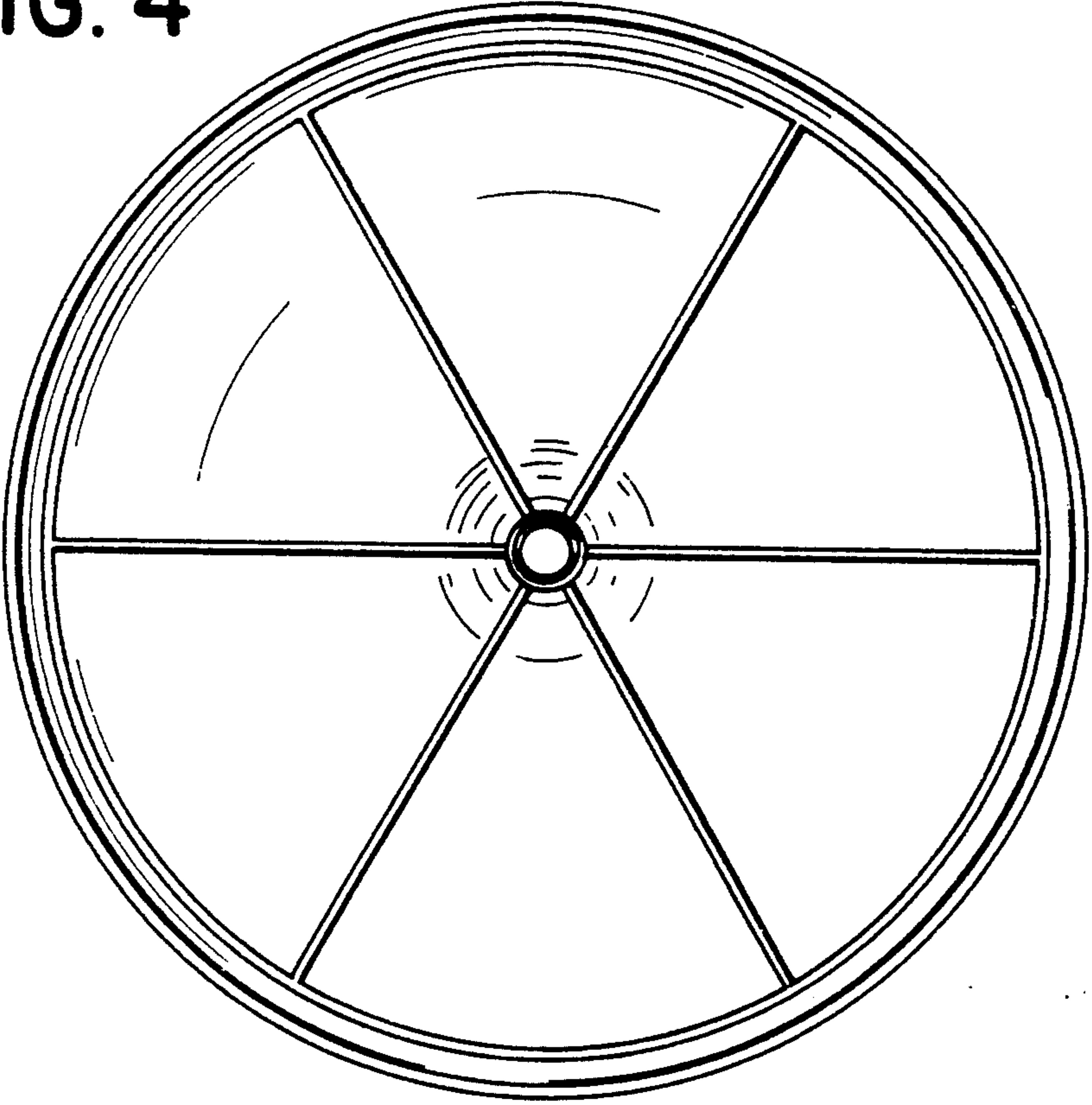


FIG. 5

