



US00D341195S

United States Patent [19]

[11] Patent Number: **Des. 341,195**

Standhardt

[45] Date of Patent: **** Nov. 9, 1993**

[54] FAN FOR USE IN BLOWING SMOKE BACK AT A SMOKER

FOREIGN PATENT DOCUMENTS

[76] Inventor: **Gina Standhardt, 323 E. 12th Ave., North Wildwood, N.J. 08260**

35092 2/1987 Japan 416/244 R

[**] Term: **14 Years**

Primary Examiner—Wallace R. Burke
Assistant Examiner—Lisa Lichtenstein
Attorney, Agent, or Firm—Leon Gilden

[21] Appl. No.: **910,986**

[57] CLAIM

[22] Filed: **Jul. 9, 1992**

The ornamental design for a fan for use in blowing smoke back at a smoker, as shown.

[52] U.S. Cl. **D23/378; D23/382**

[58] Field of Search **D23/370, 412, 378, 381, D23/382; 248/676; 416/5, 100; 392/365-369**

DESCRIPTION

[56] References Cited

U.S. PATENT DOCUMENTS

2,364,794 12/1944 Koch 248/676
2,499,446 3/1950 Anthony 416/5
2,923,463 2/1960 Shunfwiler 416/247

FIG. 1 is a front elevational view of the fan for use in blowing smoke back at a smoker showing my new design;

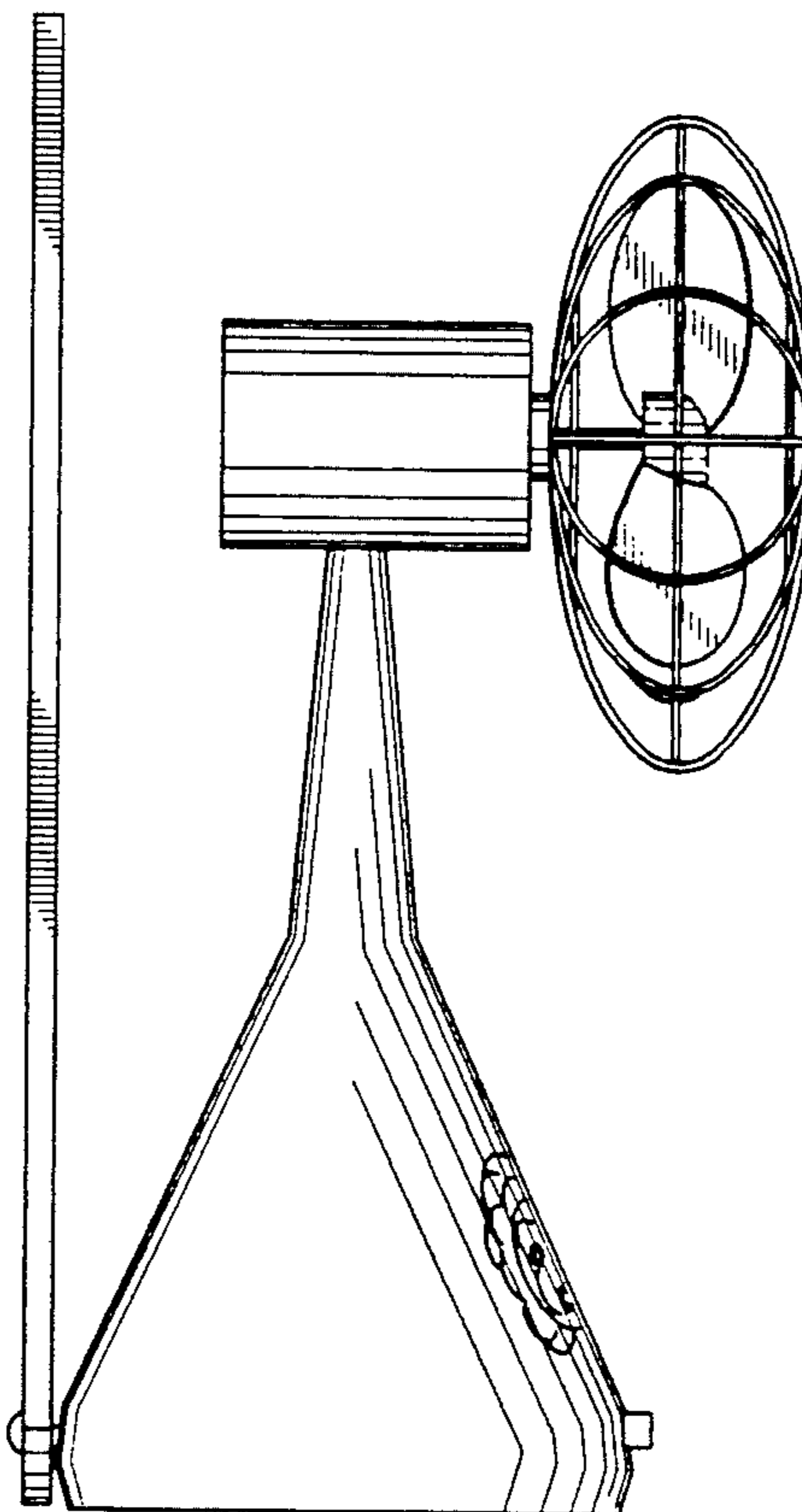
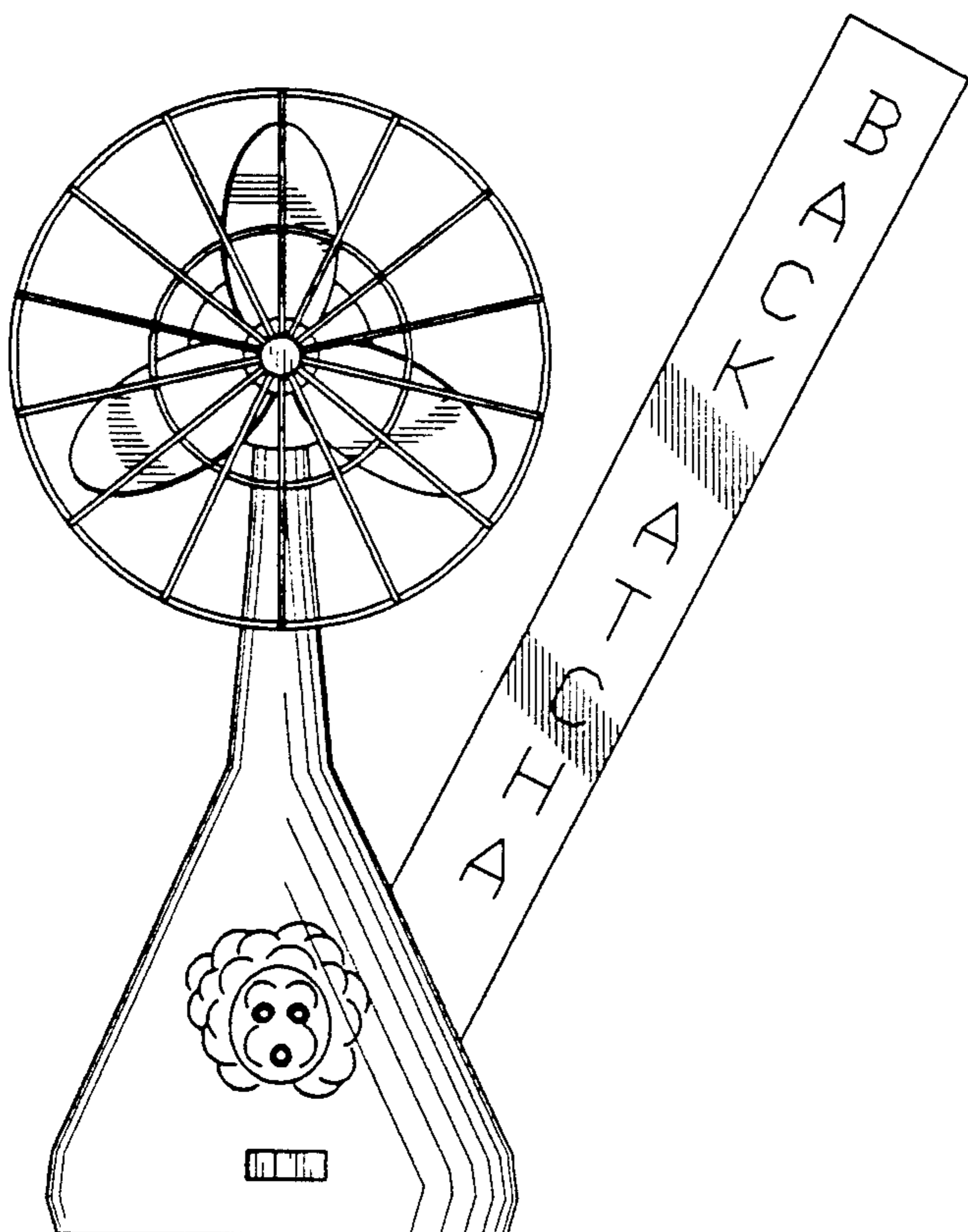
FIG. 2 is a rear elevational view thereof;

FIG. 3 is a left side elevational view thereof;

FIG. 4 is a right side elevational view thereof;

FIG. 5 is a top plan view thereof; and,

FIG. 6 is a bottom plan view thereof.



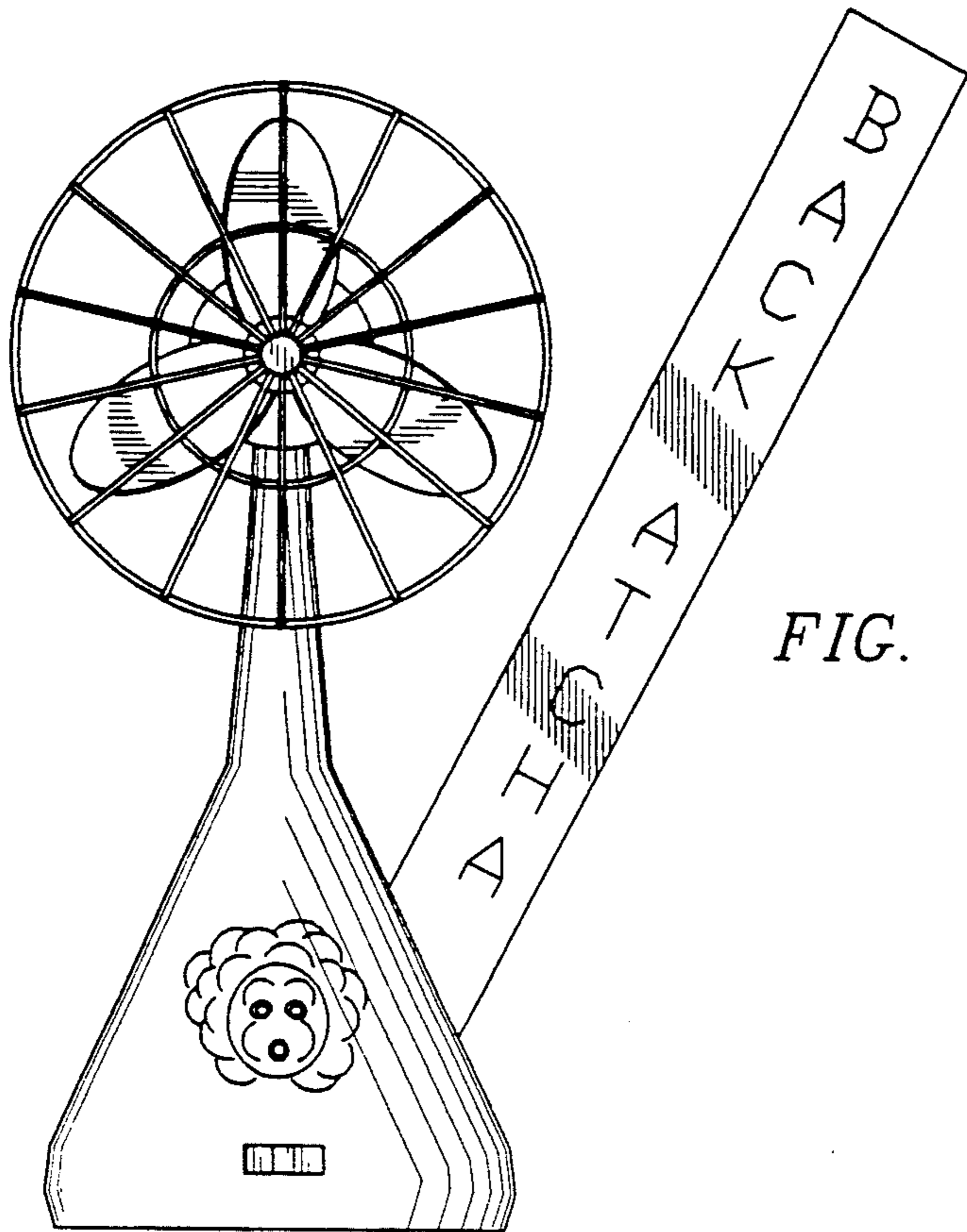


FIG. 1

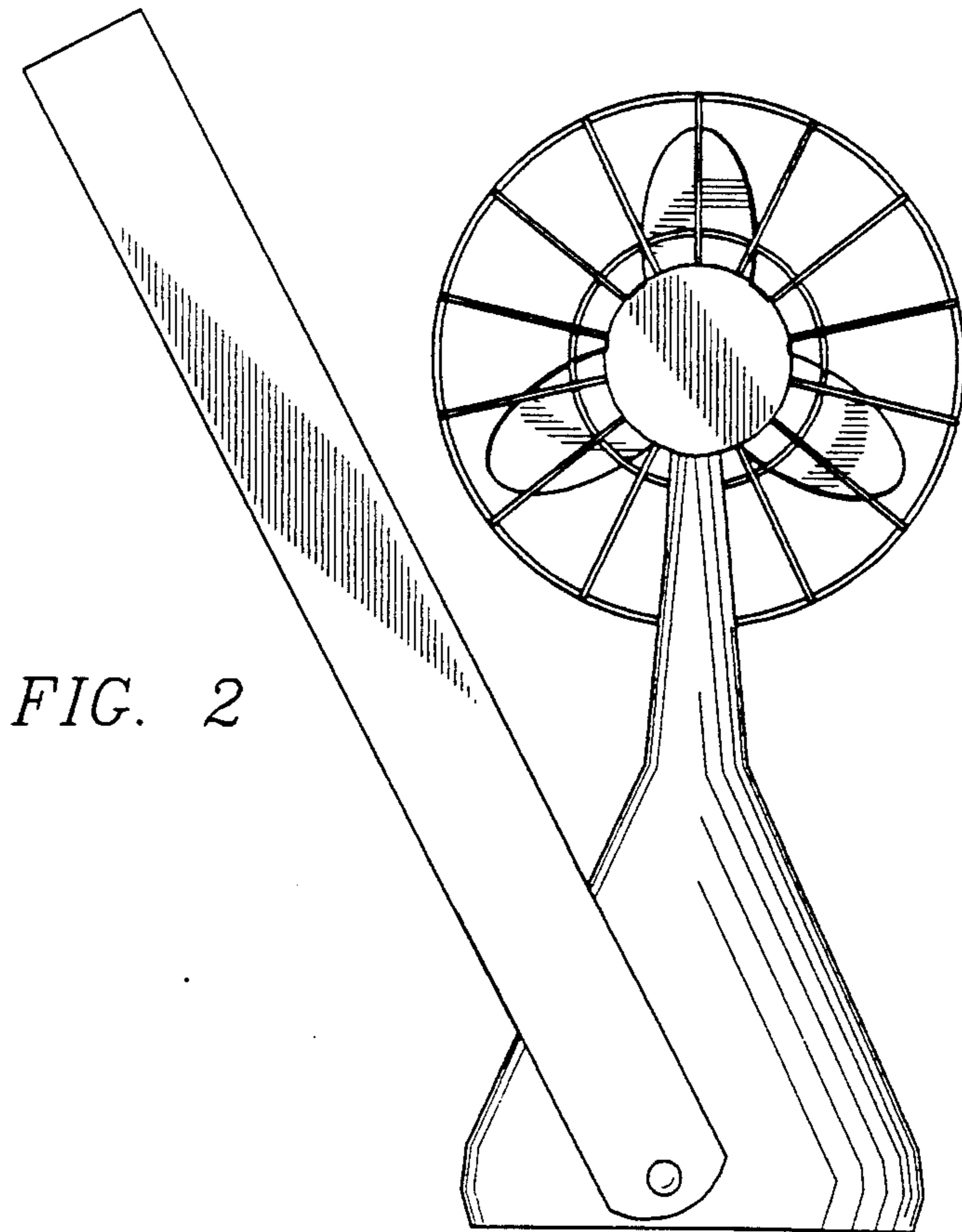


FIG. 2

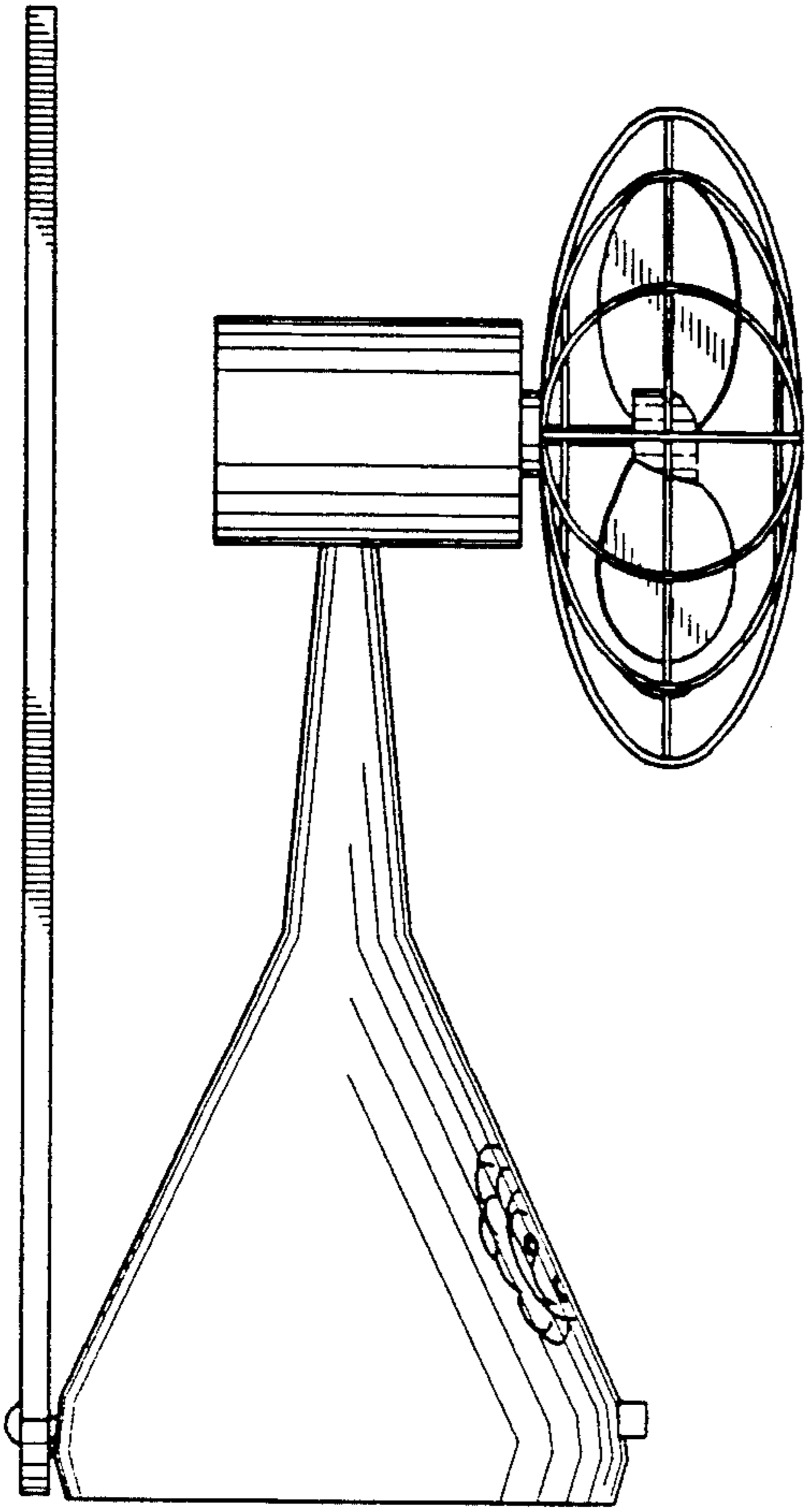


FIG. 3

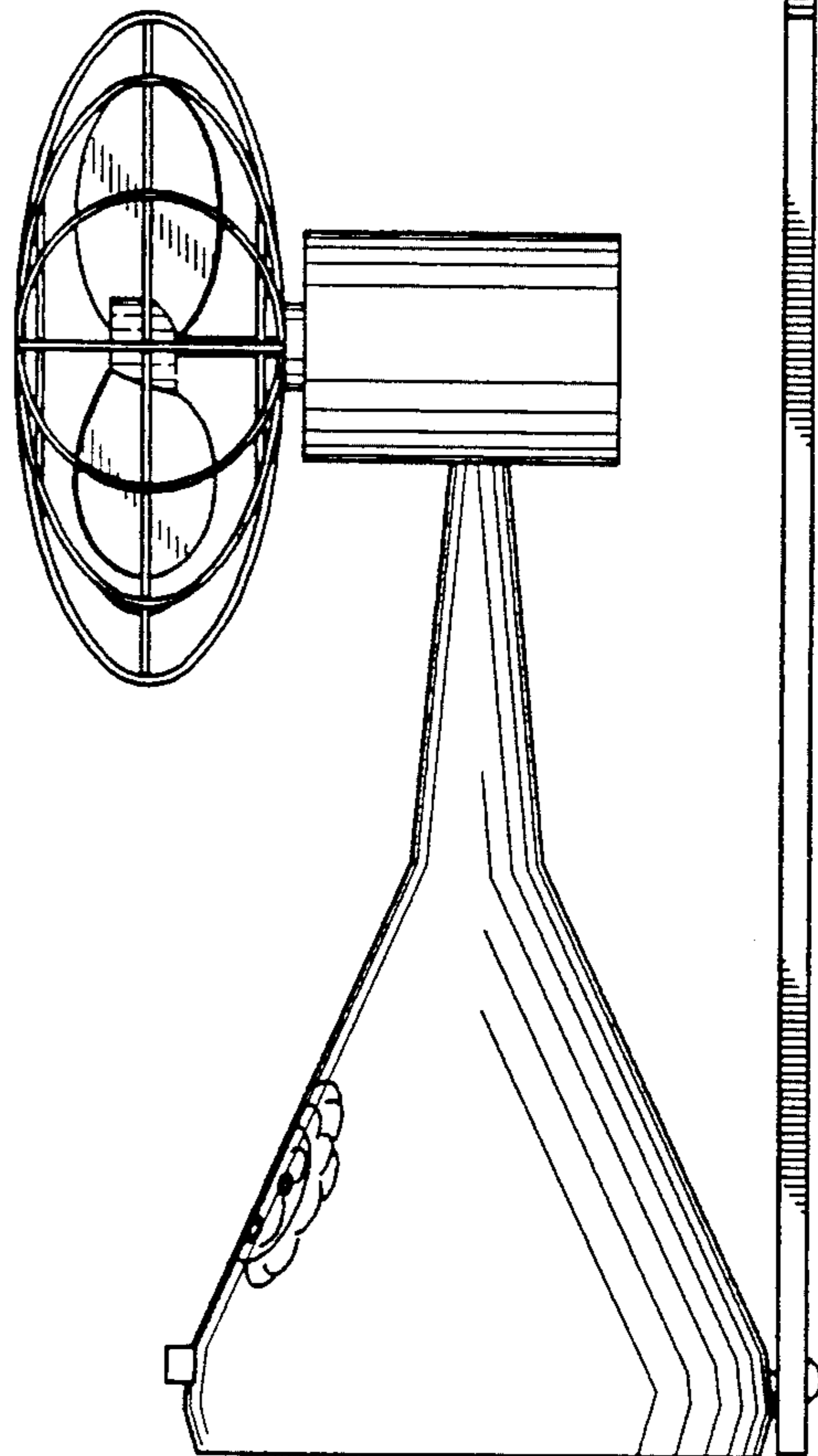


FIG. 4

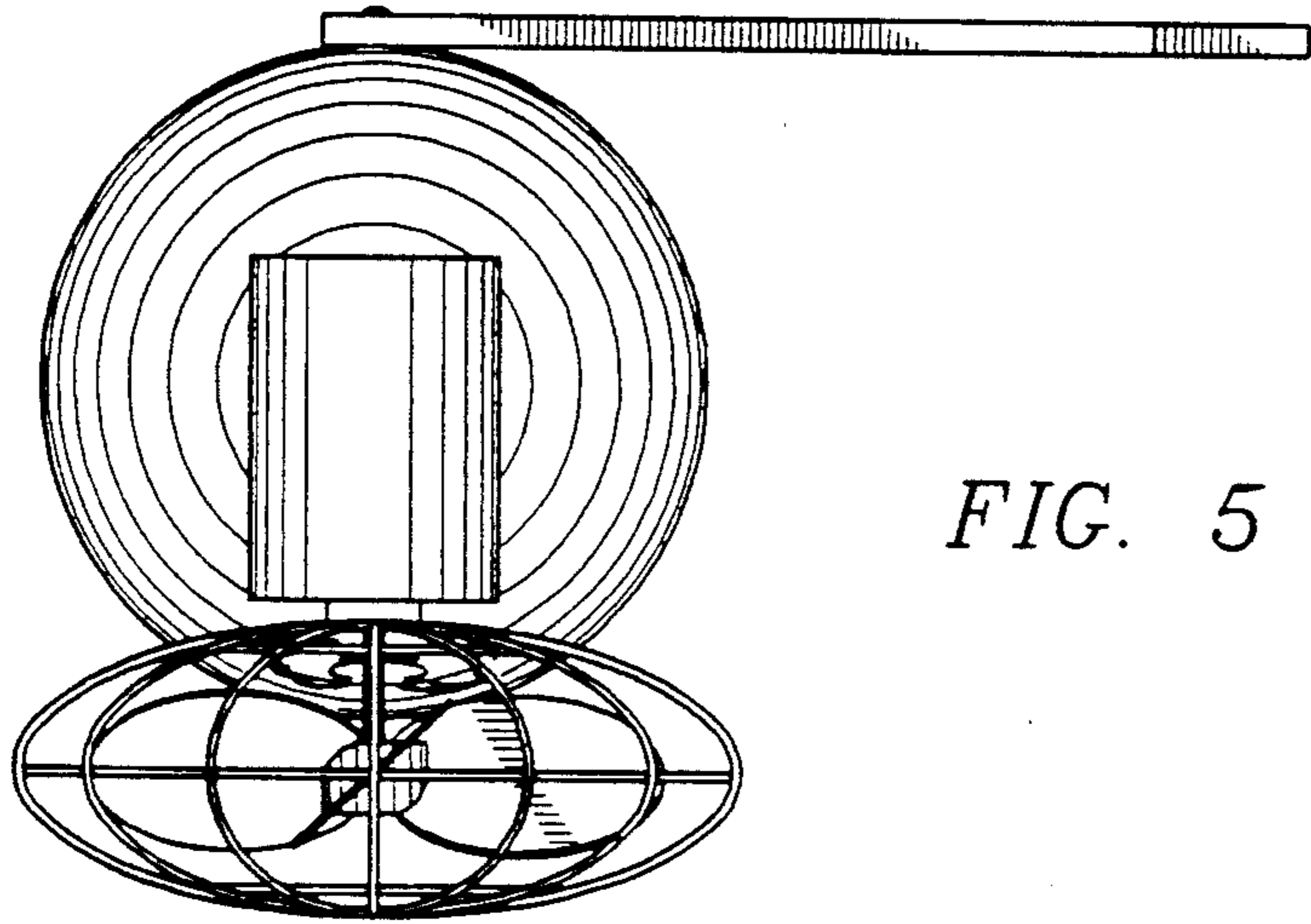


FIG. 5

FIG. 6

