



US00D341194S

United States Patent [19]

[11] Patent Number: **Des. 341,194**

Reid et al.

[45] Date of Patent: **** Nov. 9, 1993**

[54] **COMBINED TOY HELICOPTER, CEILING FAN AND LIGHT**

[76] Inventors: **Catherine L. Reid; Jebediah W. Reid,**
both of R.R. 1, Box 85, Kirklin, Ind.
46050

[**] Term: **14 Years**

[21] Appl. No.: **933,052**

[22] Filed: **Aug. 19, 1992**

[52] U.S. Cl. **D23/377; D23/379;**
D23/385

[58] Field of Search **D23/370, 377-379,**
D23/385; D21/90, 85, 86, ; 362/96; 392/364;
416/5; D12/327

[56] **References Cited**

U.S. PATENT DOCUMENTS

- D. 295,430 4/1988 Smith D23/377
- D. 325,776 4/1992 Scofield et al. D23/377

OTHER PUBLICATIONS

Bell Helicopter Co. Adv. Brochure, p. 6, Hellicoper A, bottom right side of page.

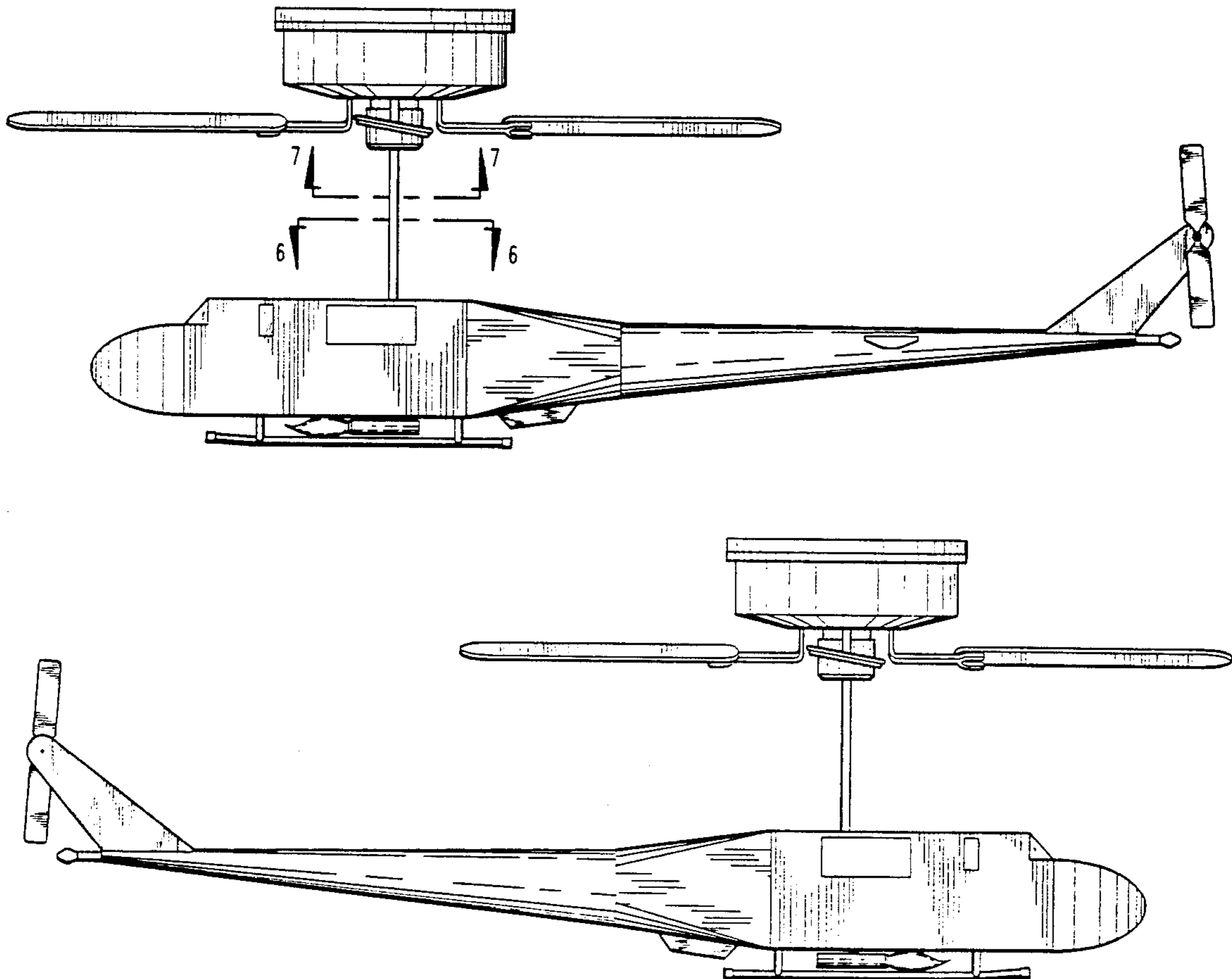
Primary Examiner—Wallace R. Burke
Assistant Examiner—Lisa Lichtenstein
Attorney, Agent, or Firm—Woodard, Emhardt, Naughton Moriarty & McNett

[57] **CLAIM**

The ornamental design for a combined toy helicopter, ceiling fan and light, as shown.

DESCRIPTION

FIG. 1 is a left side view of the combined toy helicopter, ceiling fan and light incorporating our new design; FIG. 2 is a right side view; FIG. 3 is a rear view; FIG. 4 is a front view; FIG. 5 is a bottom view; FIG. 6 is a cross-sectional view taken along lines 6—6 of FIG. 1 and viewed in the direction of the arrows; and, FIG. 7 is a cross-sectional view taken along lines 7—7 of FIG. 1 and viewed in the direction of the arrows.



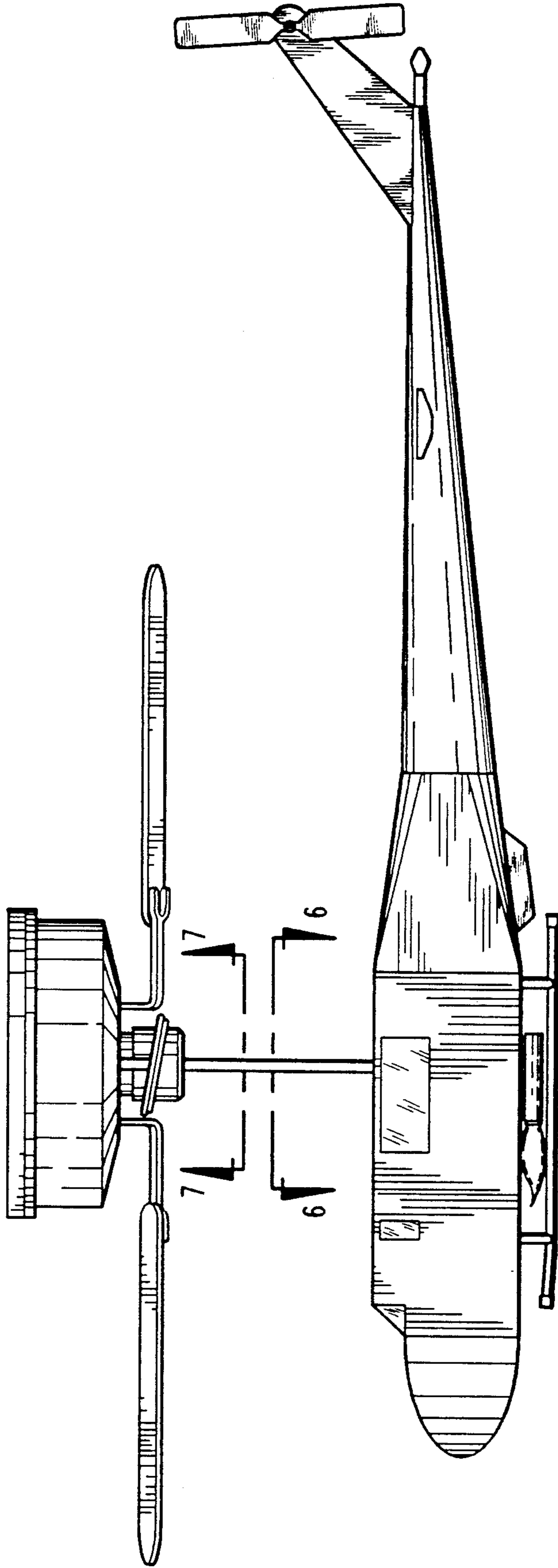


Fig. 1

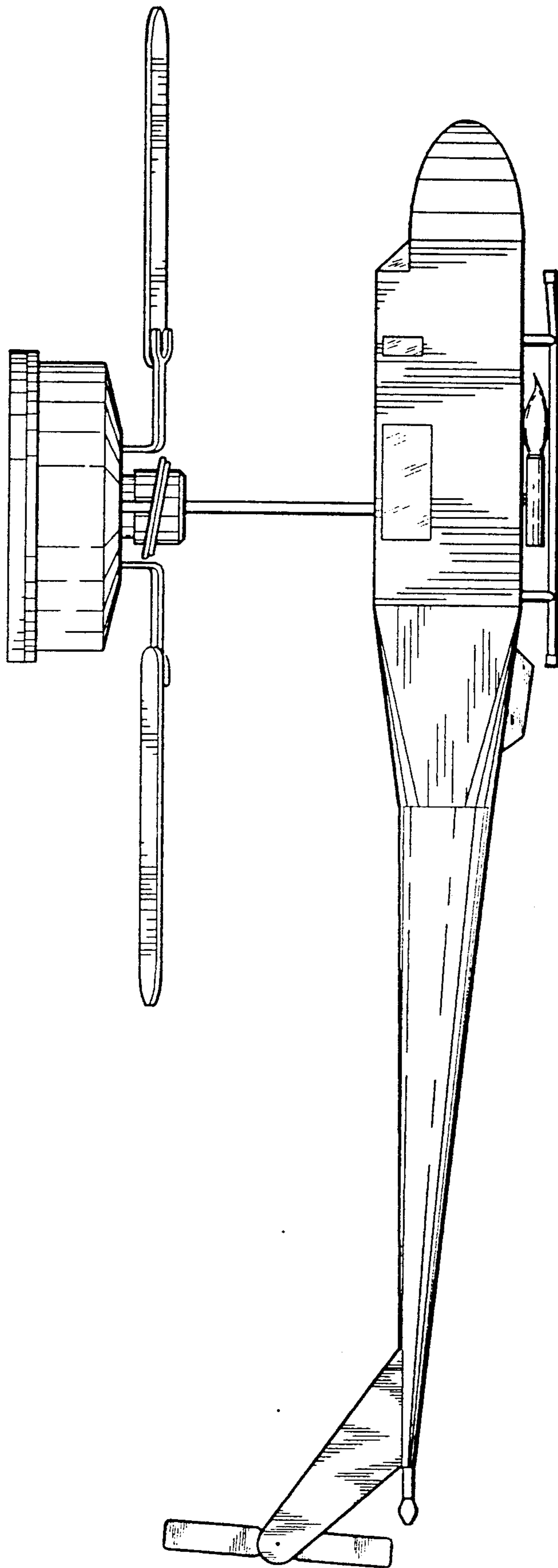


Fig. 2

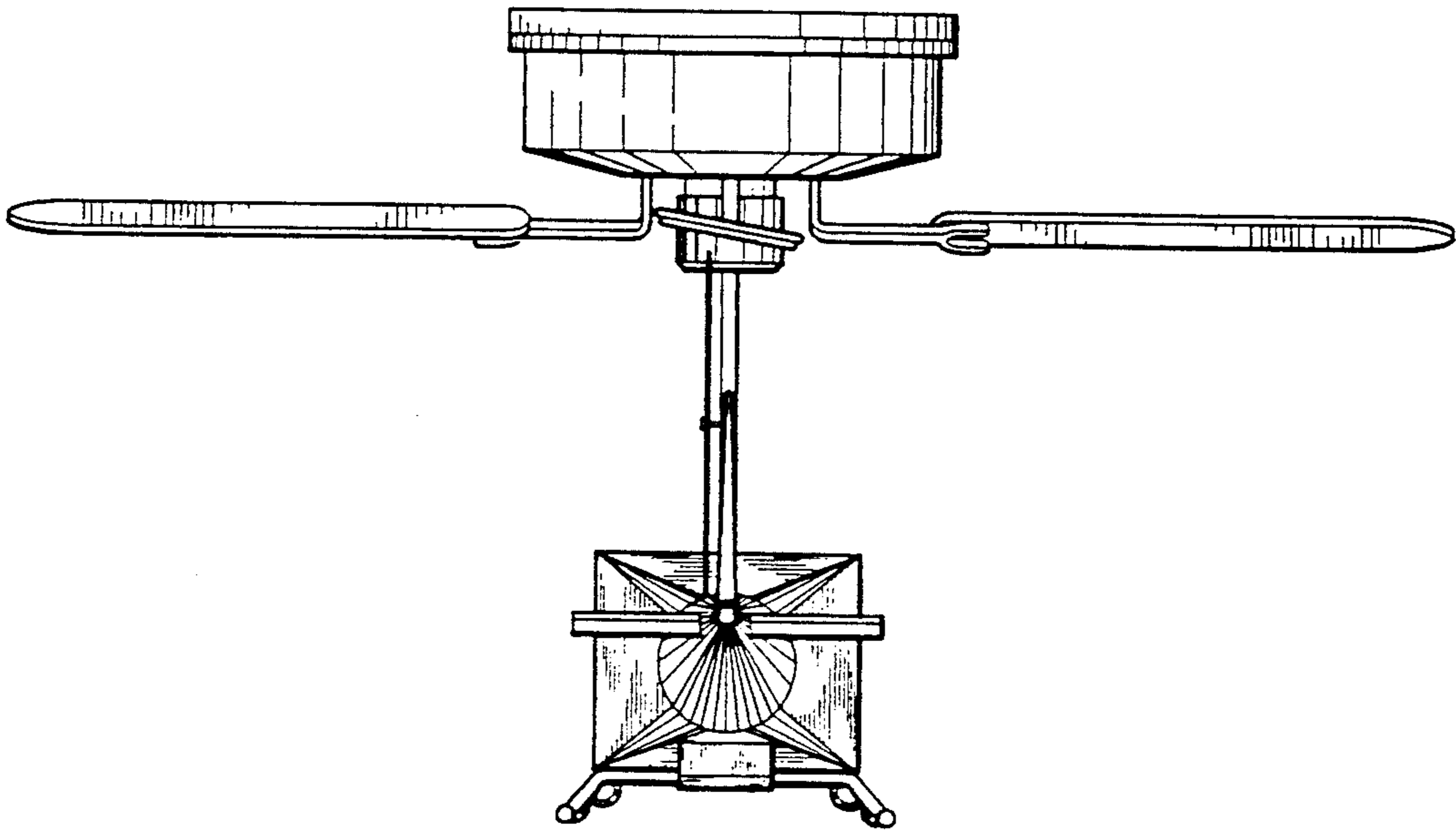


Fig. 3

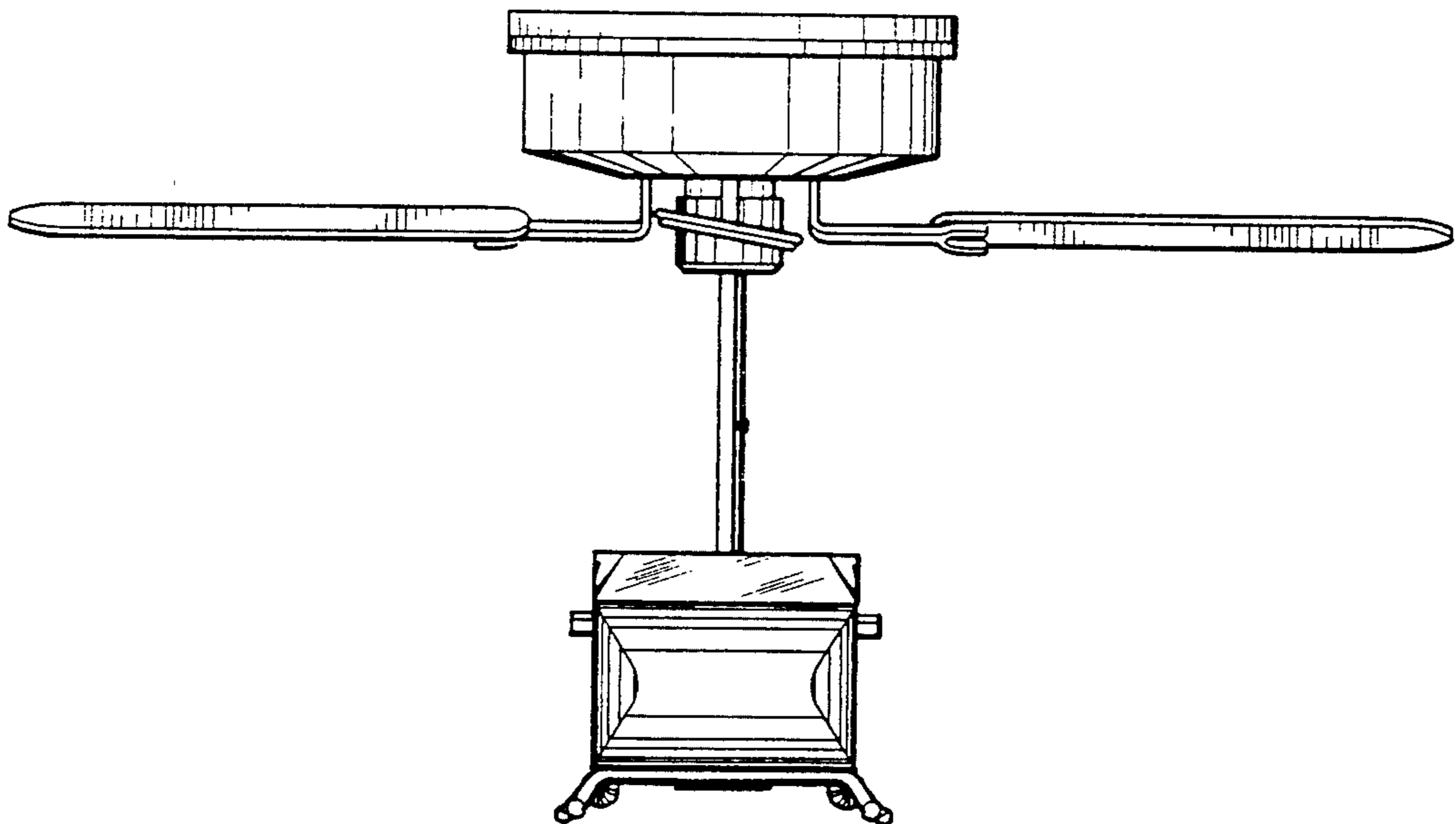


Fig. 4

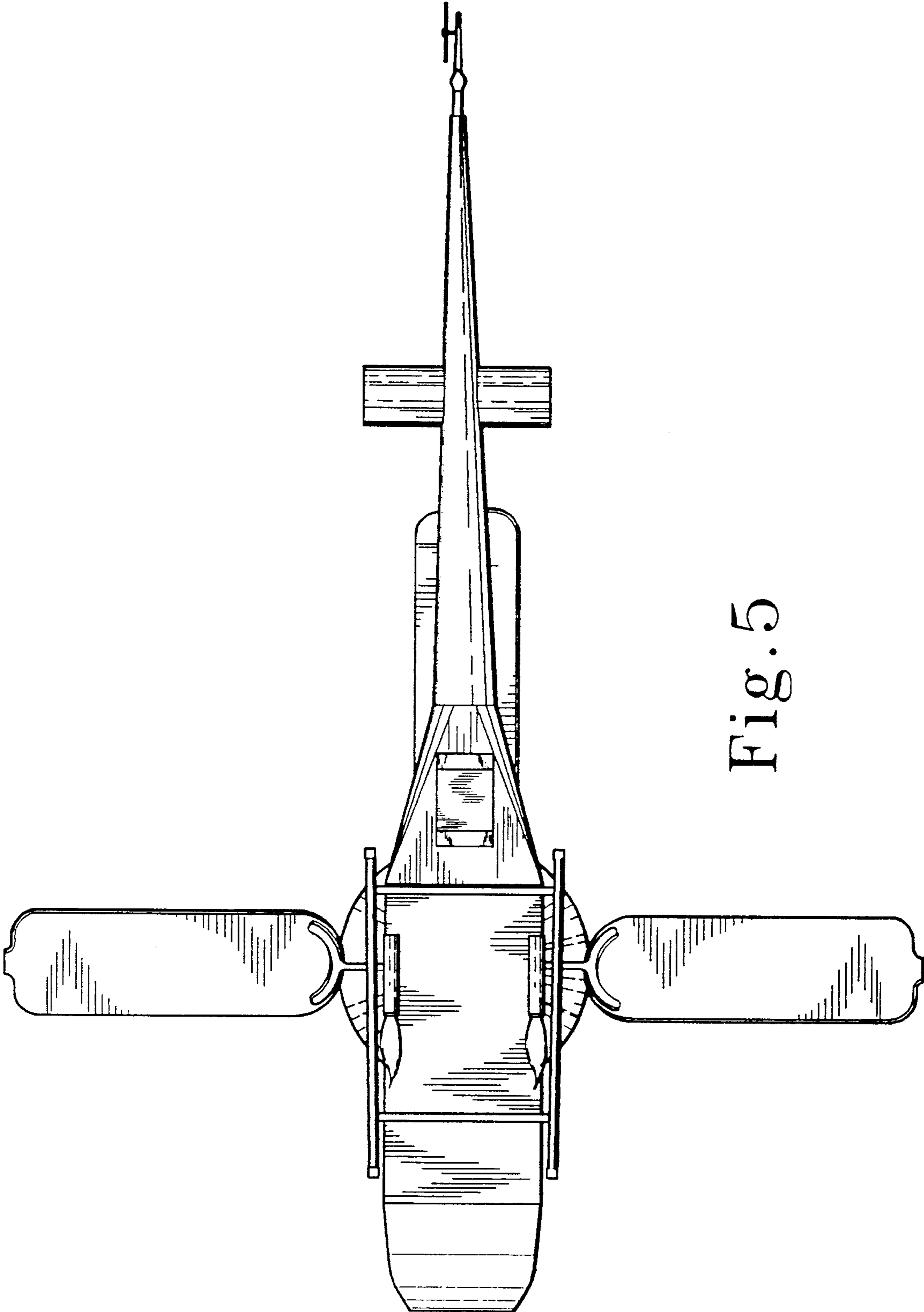


Fig. 5

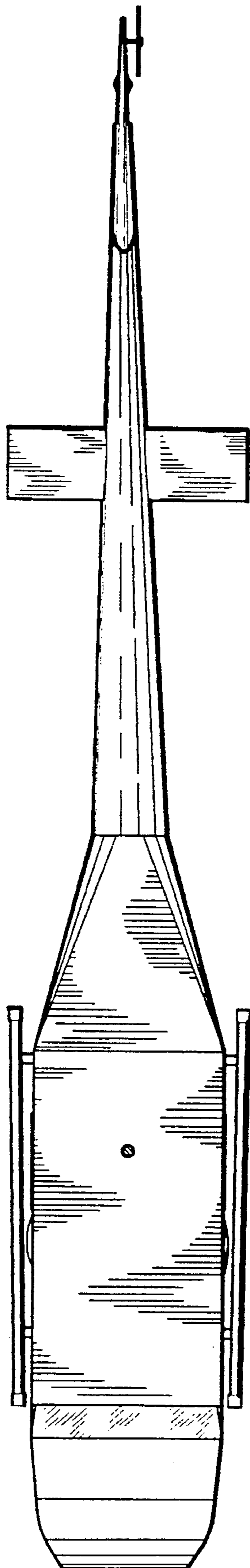


Fig. 6

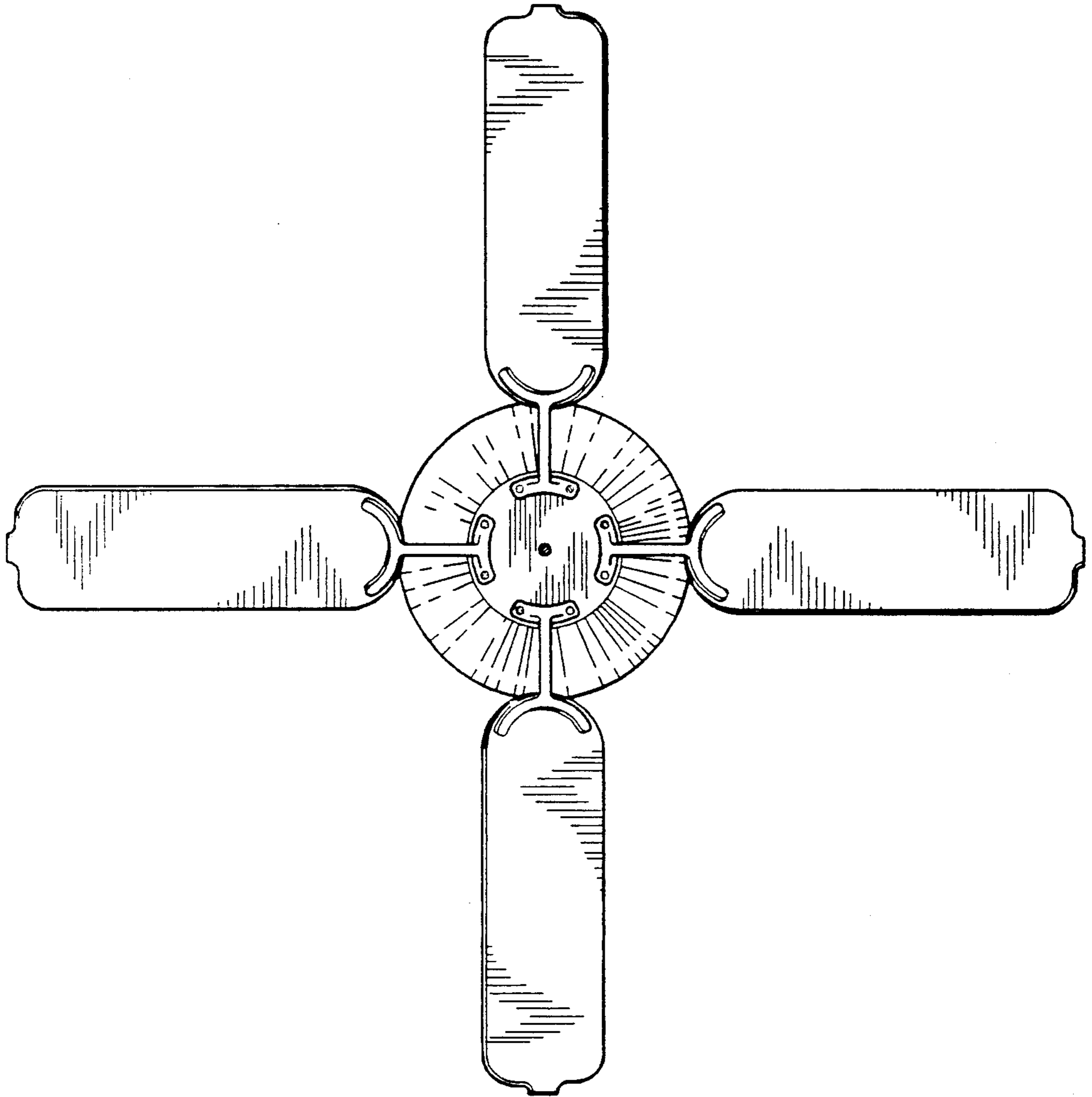


Fig. 7