



US00D341192S

# United States Patent [19]

[11] Patent Number: **Des. 341,192**

Dworetzky

[45] Date of Patent: **\*\* Nov. 9, 1993**

[54] **COMBINED BATHTUB AND SHOWER STALL**

[76] Inventor: **Alan B. Dworetzky**, 1108 Redgate Ave., Norfolk, Va. 23507

[\*\*] Term: **14 Years**

[21] Appl. No.: **668,459**

[22] Filed: **Mar. 13, 1991**

[52] U.S. Cl. .... **D23/275**

[58] Field of Search ..... **D23/270-275, D23/277-283, 303-307; D24/201-205; 4/538, 539, 546, 552, 553, 571.1-573.1, 578.1, 579.1, 589-591, 663, 664, 665**

D. 325,623	4/1992	Lenahan .....	D23/275
D. 332,995	2/1993	Dworetzky .....	D23/275
1,664,491	4/1928	Siegel .....	4/557
2,198,605	4/1940	Fabey .....	4/546
2,394,667	2/1946	Dailey .....	4/552
3,955,219	5/1976	Finch et al. ....	4/552
4,928,329	5/1990	Palmeri .....	4/552
5,001,787	3/1991	Lynch .....	4/552

### FOREIGN PATENT DOCUMENTS

WO91/08699 6/1991 World Int. Prop. O. .... 4/597

*Primary Examiner*—James R. Largen

### [57] CLAIM

The ornamental design for a combined bathtub and shower stall, as shown and described.

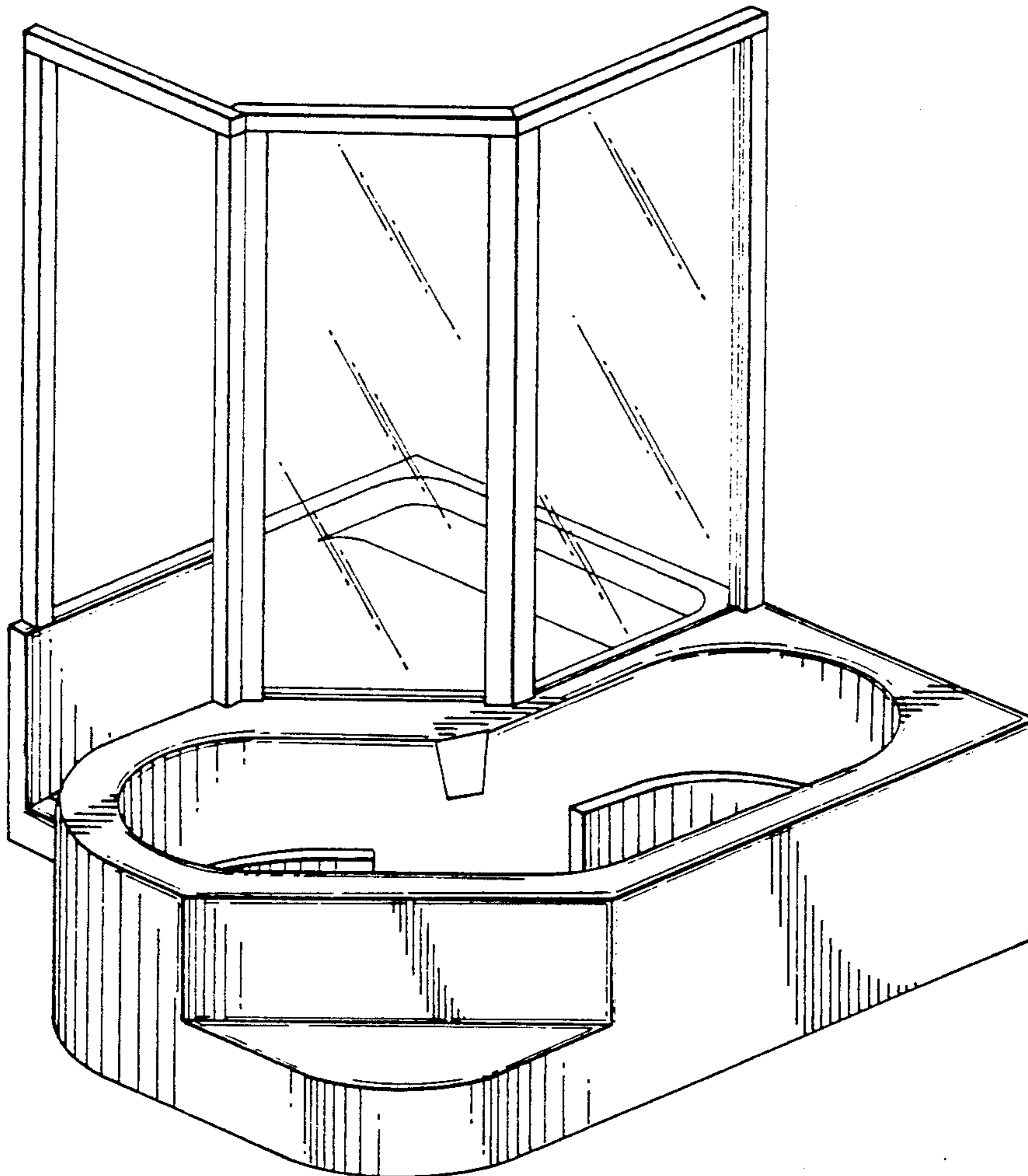
### DESCRIPTION

FIG. 1 is a perspective view taken from the top front and right side of a combined bathtub and shower stall showing my new design;  
FIG. 2 is a perspective view taken from the top, front and left side thereof;  
FIG. 3 is a top plan view thereof; and,  
FIG. 4 is a front elevational view thereof.

### [56] References Cited

#### U.S. PATENT DOCUMENTS

D. 237,182	10/1975	Rosenhaus .....	D23/281
D. 237,184	10/1975	Rosenhaus .....	D23/277
D. 241,441	9/1976	Rosenhaus .....	D23/277
D. 243,691	3/1977	Gruper .....	D23/277
D. 265,678	8/1982	Ballard .....	D23/281
D. 320,435	10/1991	Dannenberg et al. ....	D23/275



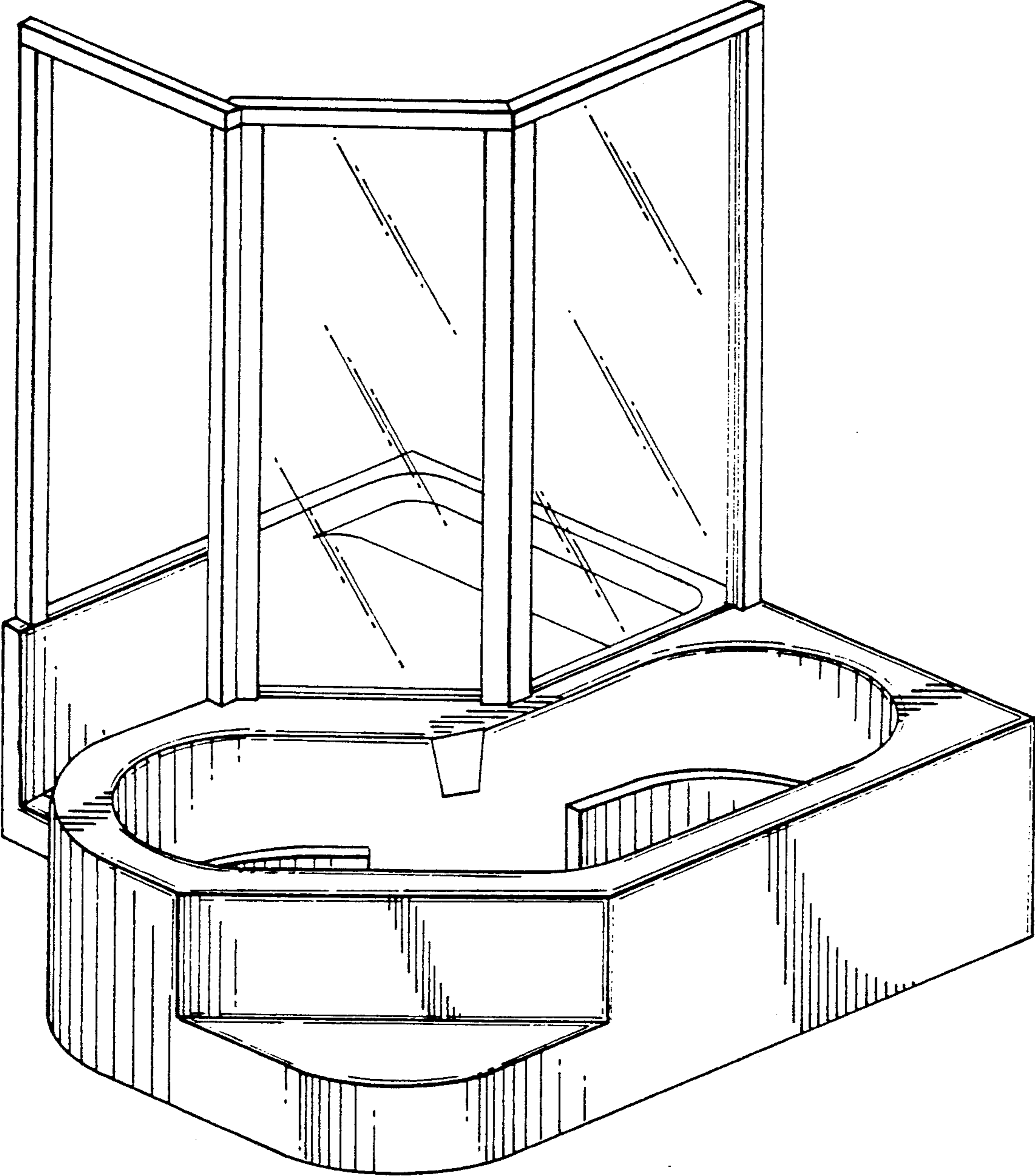


FIG. 1

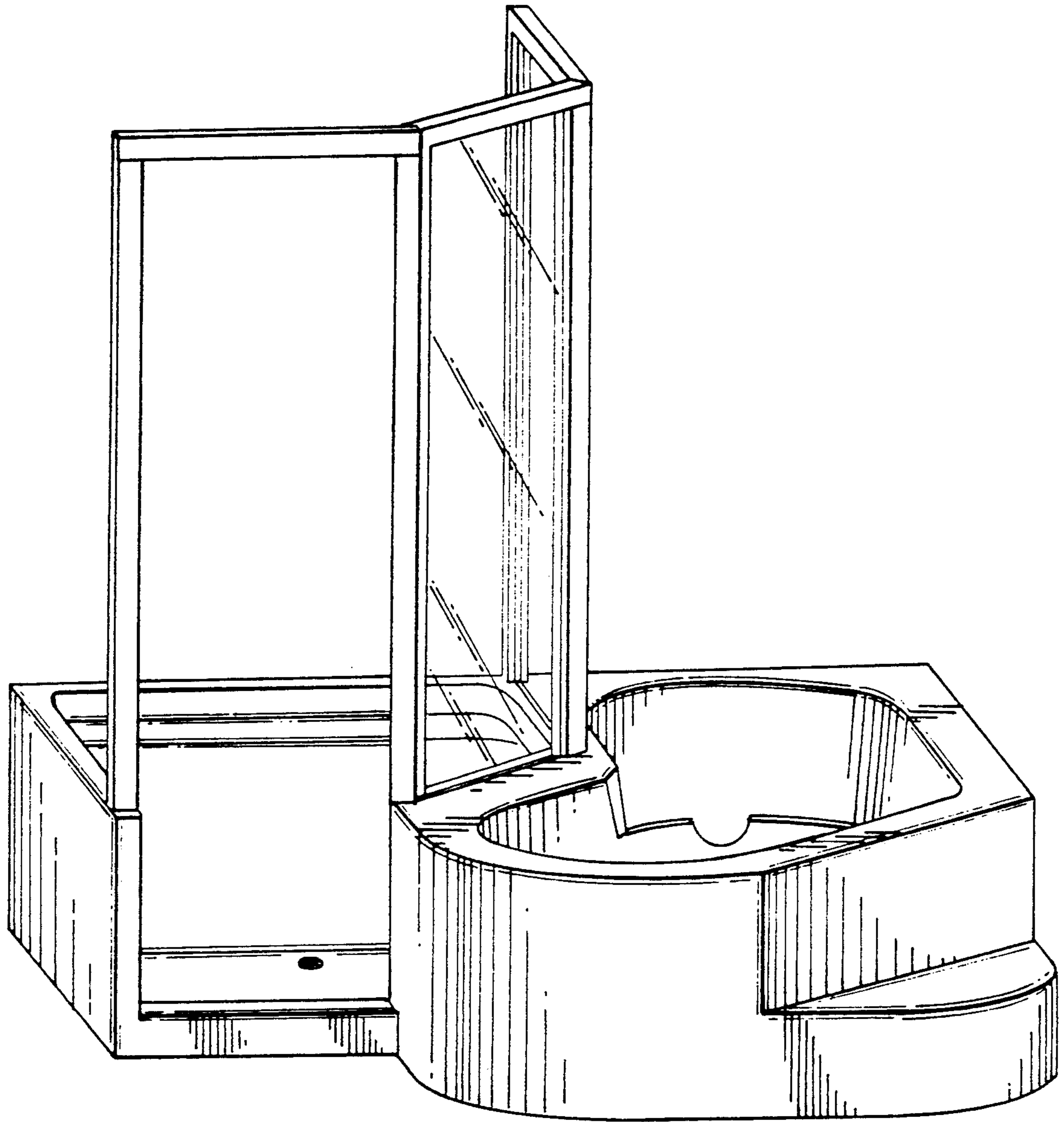


FIG. 2



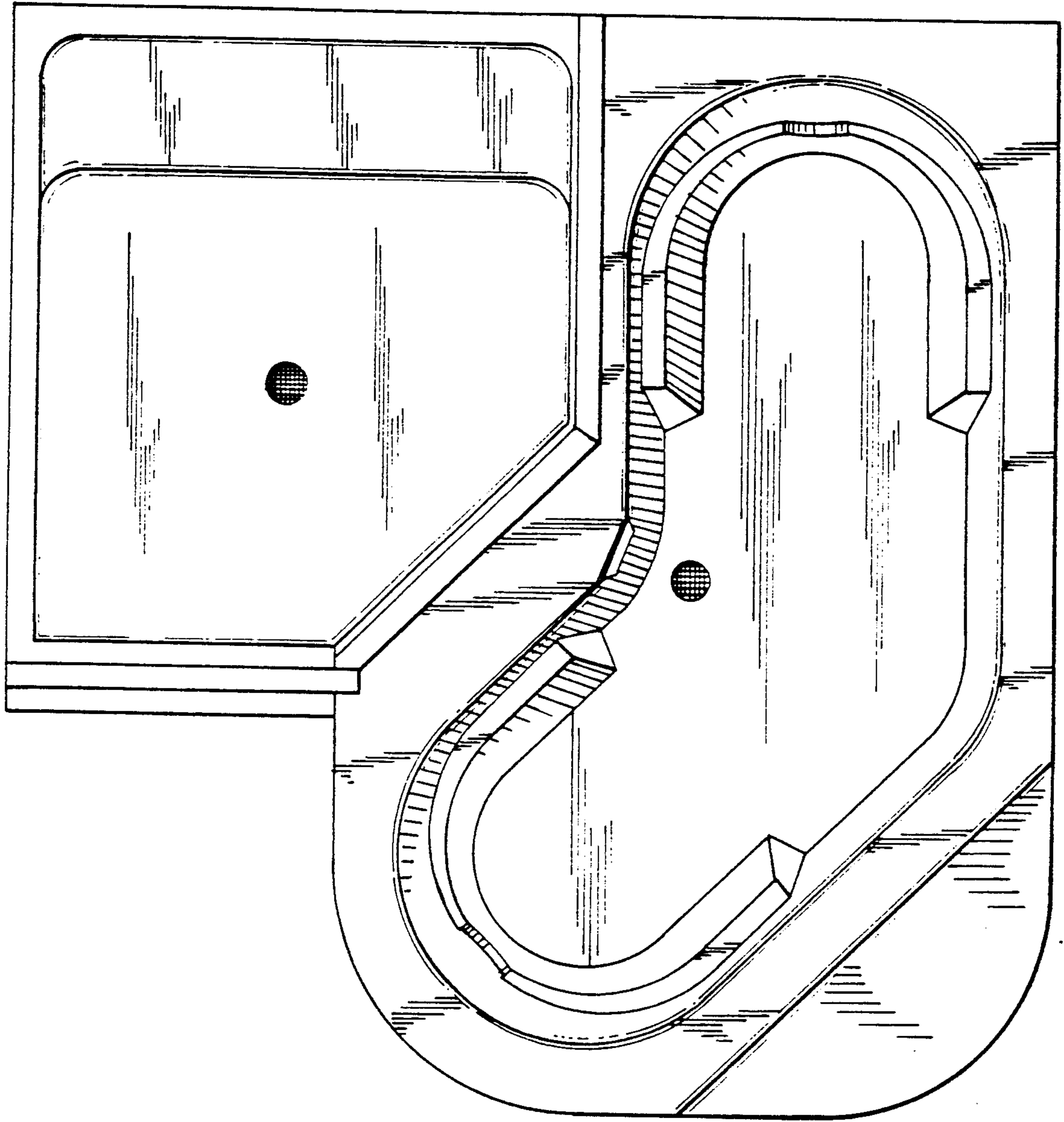


FIG. 3

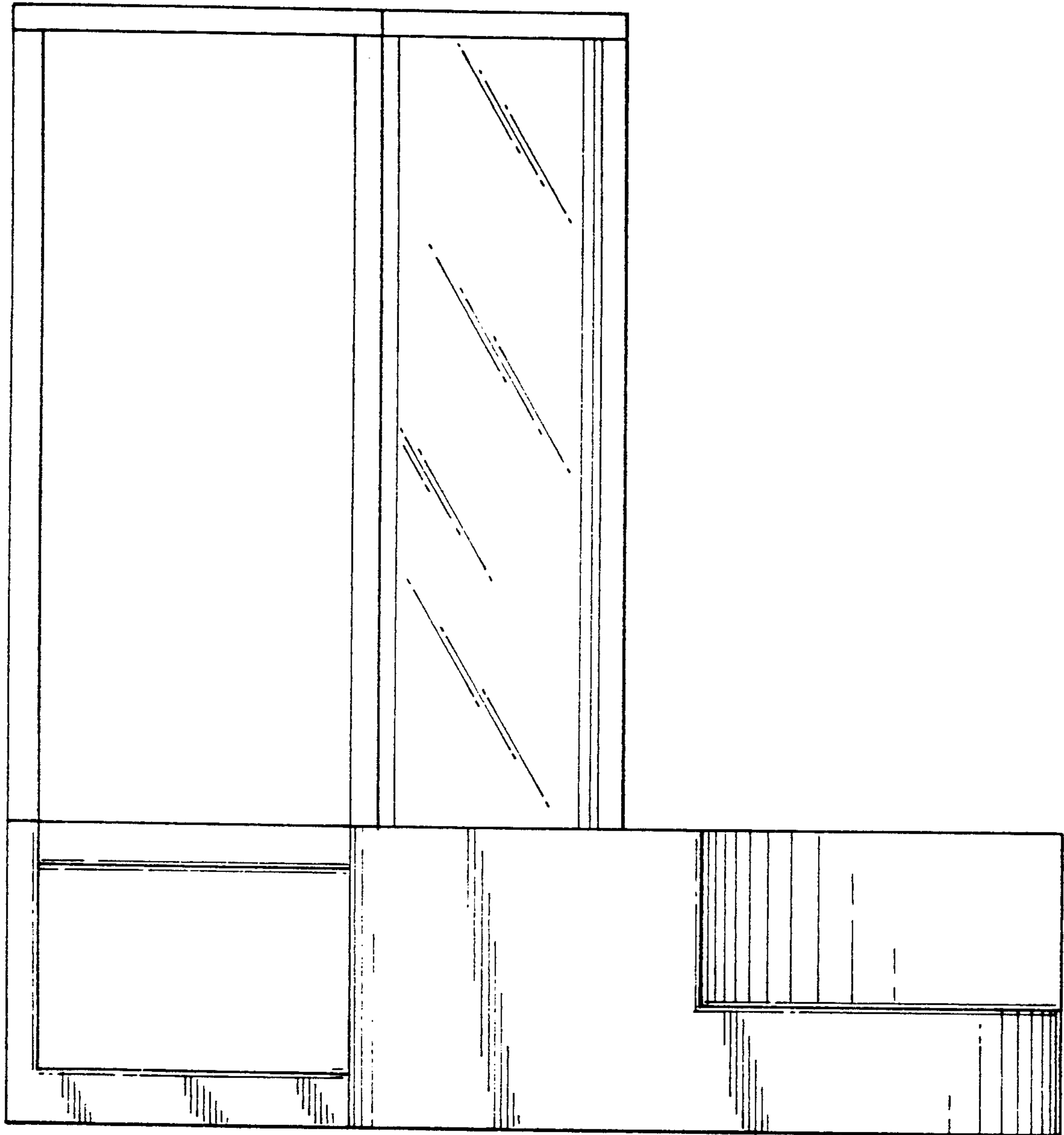


FIG. 4