



US00D341191S

# United States Patent [19]

[11] Patent Number: **Des. 341,191**

Klose

[45] Date of Patent: **\*\* Nov. 9, 1993**

[54] **COMBINED HAND SHOWER HOLDER AND PLUMBING CONNECTOR**

[75] Inventor: **Odo Klose, Wuppertal, Fed. Rep. of Germany**

[73] Assignee: **Friedrich Grohe Aktiengesellschaft, Hemer, Fed. Rep. of Germany**

[\*\*] Term: **14 Years**

[21] Appl. No.: **751,222**

[22] Filed: **Aug. 26, 1991**

[30] **Foreign Application Priority Data**

Feb. 25, 1991 [DE] Fed. Rep. of Germany ..... 9101317

[52] U.S. Cl. .... **D23/263; D8/373; D23/223; D6/524**

[58] Field of Search ..... **D23/223, 263; D6/524, D6/554; D8/363, 373, 395; 4/596-615, 675, 678, 695; 211/111; 295/75; 239/282, 283, 428.5, 525, 530, 588**

[56] **References Cited**

**U.S. PATENT DOCUMENTS**

D. 228,622	10/1973	Juhlin	.....	D8/373
D. 240,178	6/1976	Johansen	.....	D6/524
D. 251,045	2/1979	Grube	.....	D8/373 X
D. 255,626	7/1980	Grube	.....	D23/223
D. 265,874	8/1982	Klose	.....	D6/524
D. 266,212	9/1982	Haug	.....	D6/524 X

D. 267,582	1/1983	MacKay et al.	.....	D23/223
D. 296,582	7/1988	Haug	.....	D23/304
D. 333,339	2/1993	Klose	.....	D23/223
3,499,626	3/1970	Barker	.....	248/75 X
3,637,143	1/1972	Shames	.....	239/283
3,826,454	7/1974	Zieger	.....	248/75
3,837,013	9/1974	Davis et al.	.....	4/605
3,865,310	2/1975	Elkins et al.	.....	239/283
3,979,096	9/1976	Zipger	.....	248/75
4,091,998	5/1978	Peterson	.....	239/283
4,174,822	11/1979	Larsson	.....	248/75
4,580,751	4/1986	Panzer	.....	D23/223 X
4,719,654	1/1988	Blessing	.....	4/597
4,964,573	10/1990	Lipski	.....	239/283

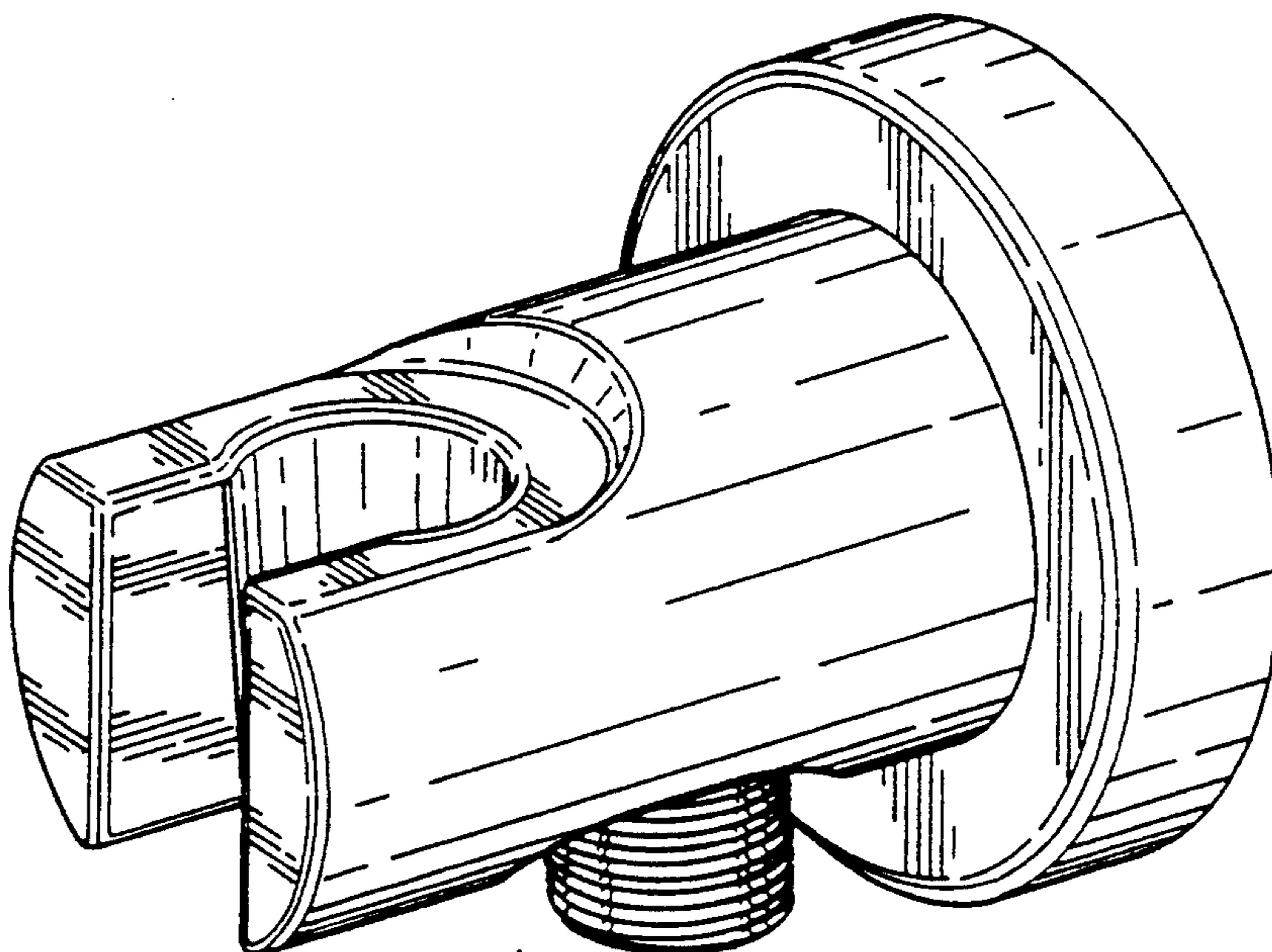
*Primary Examiner*—James R. Largen  
*Attorney, Agent, or Firm*—Herbert Dubno

[57] **CLAIM**

The ornamental design for a combined hand shower holder and plumbing connector, as shown.

**DESCRIPTION**

FIG. 1 is a perspective view showing the front, right side, and top of a combined hand shower holder and plumbing connector embodying my new design; FIG. 2 is a left-side elevational view thereof; FIG. 3 is a bottom view thereof; FIG. 4 is a front view thereof; FIG. 5 is a right-side elevational view thereof; FIG. 6 is a top view thereof; and, FIG. 7 is a rear view thereof.



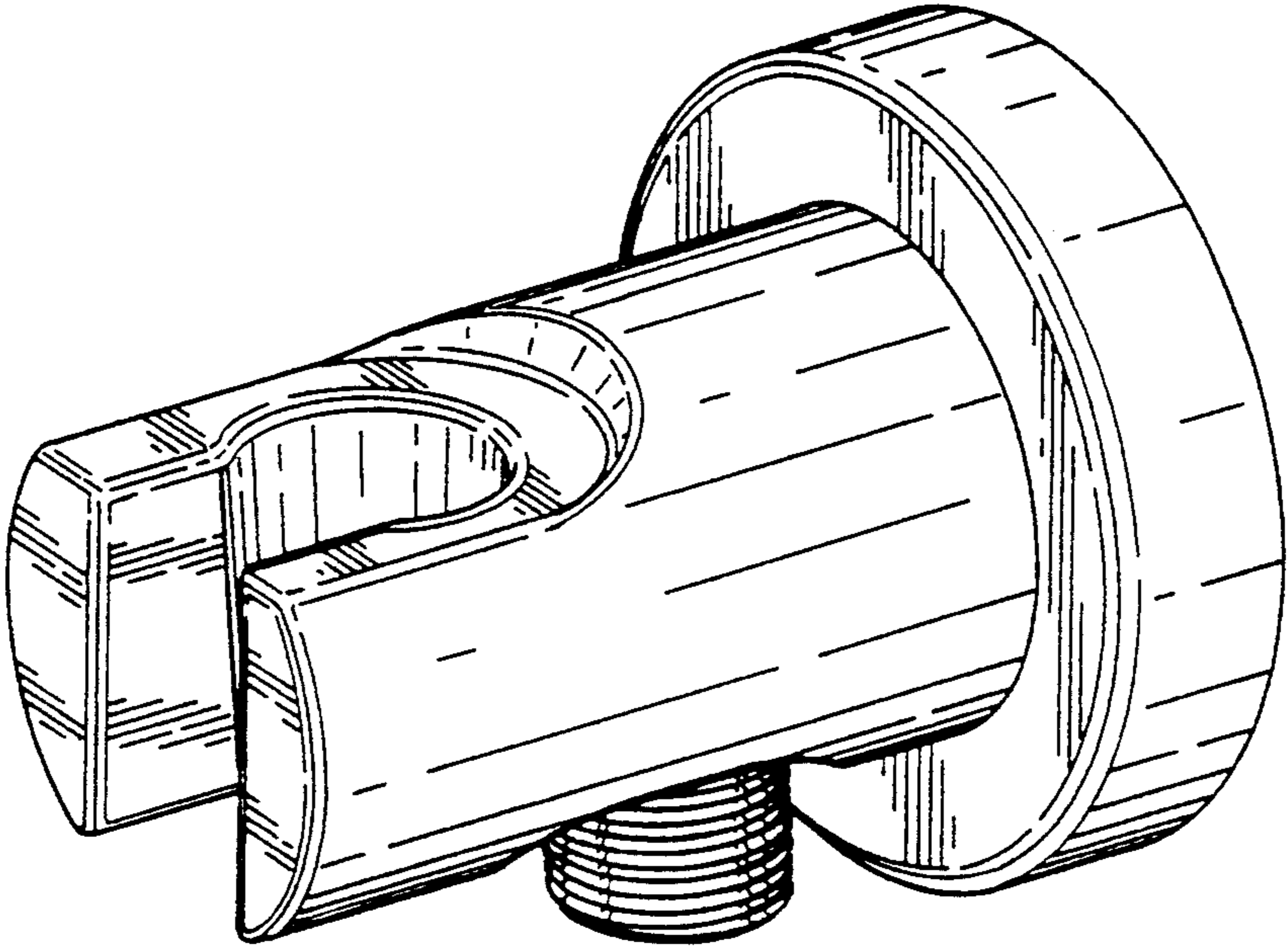


FIG. 1

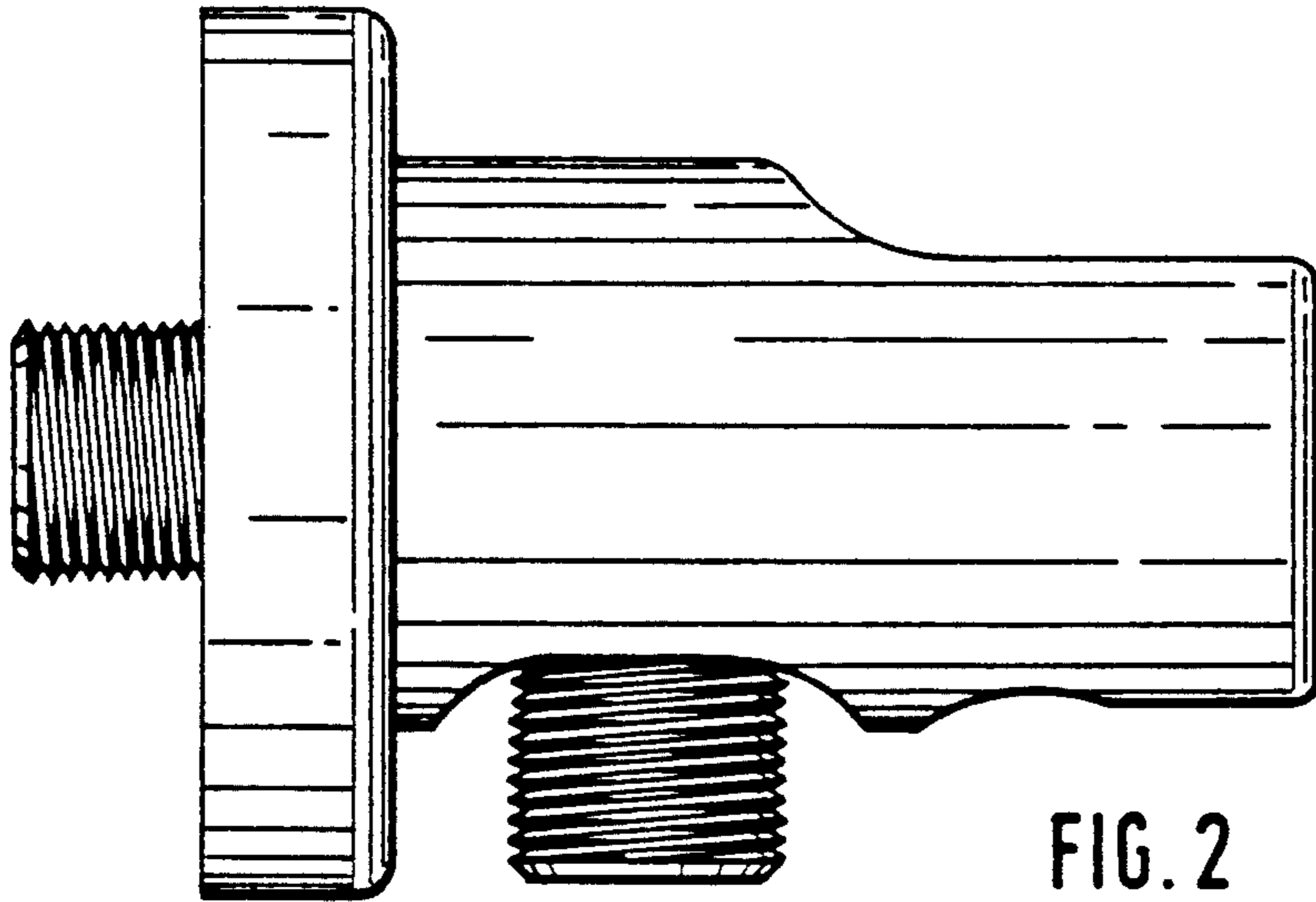


FIG. 2

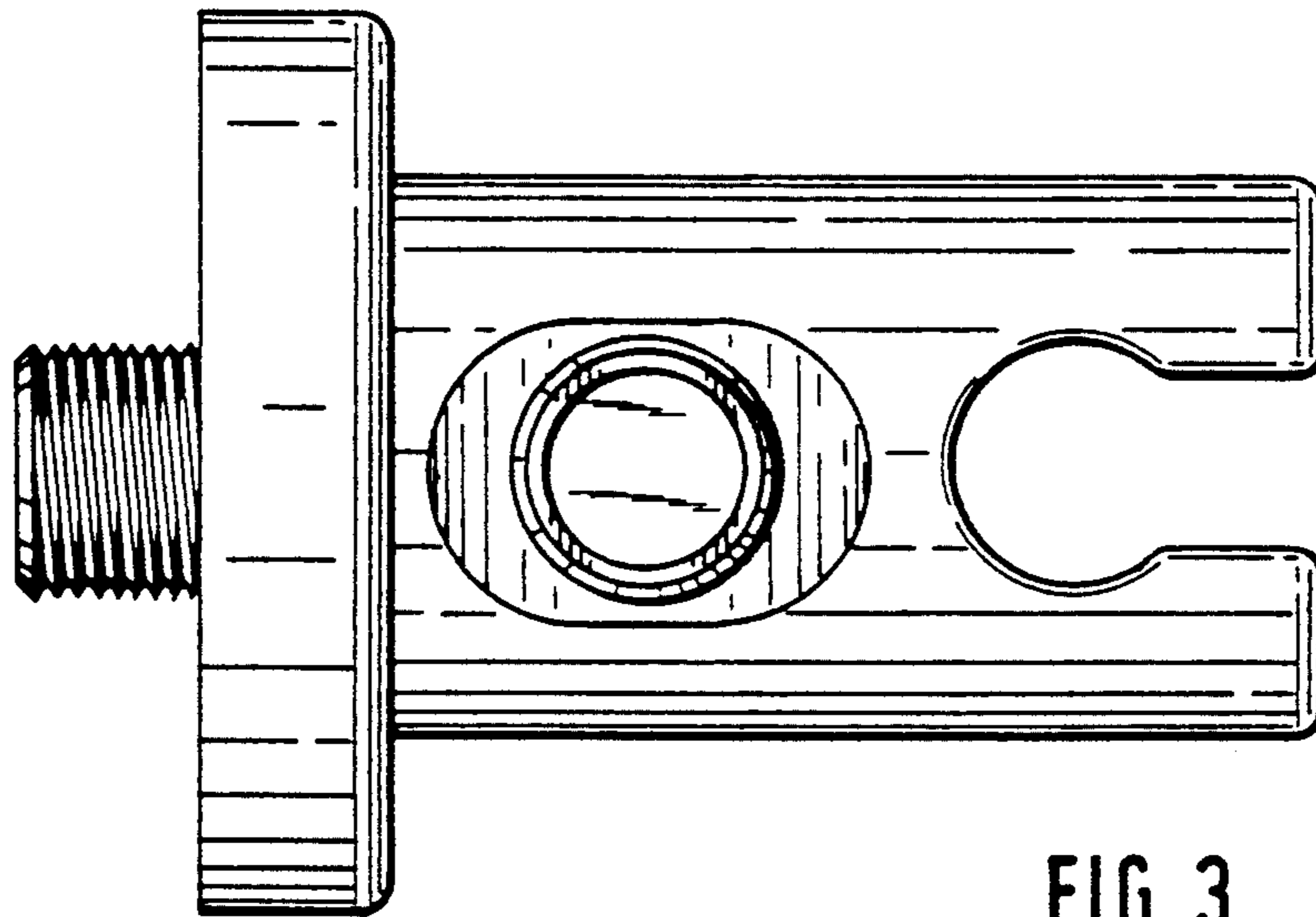


FIG. 3

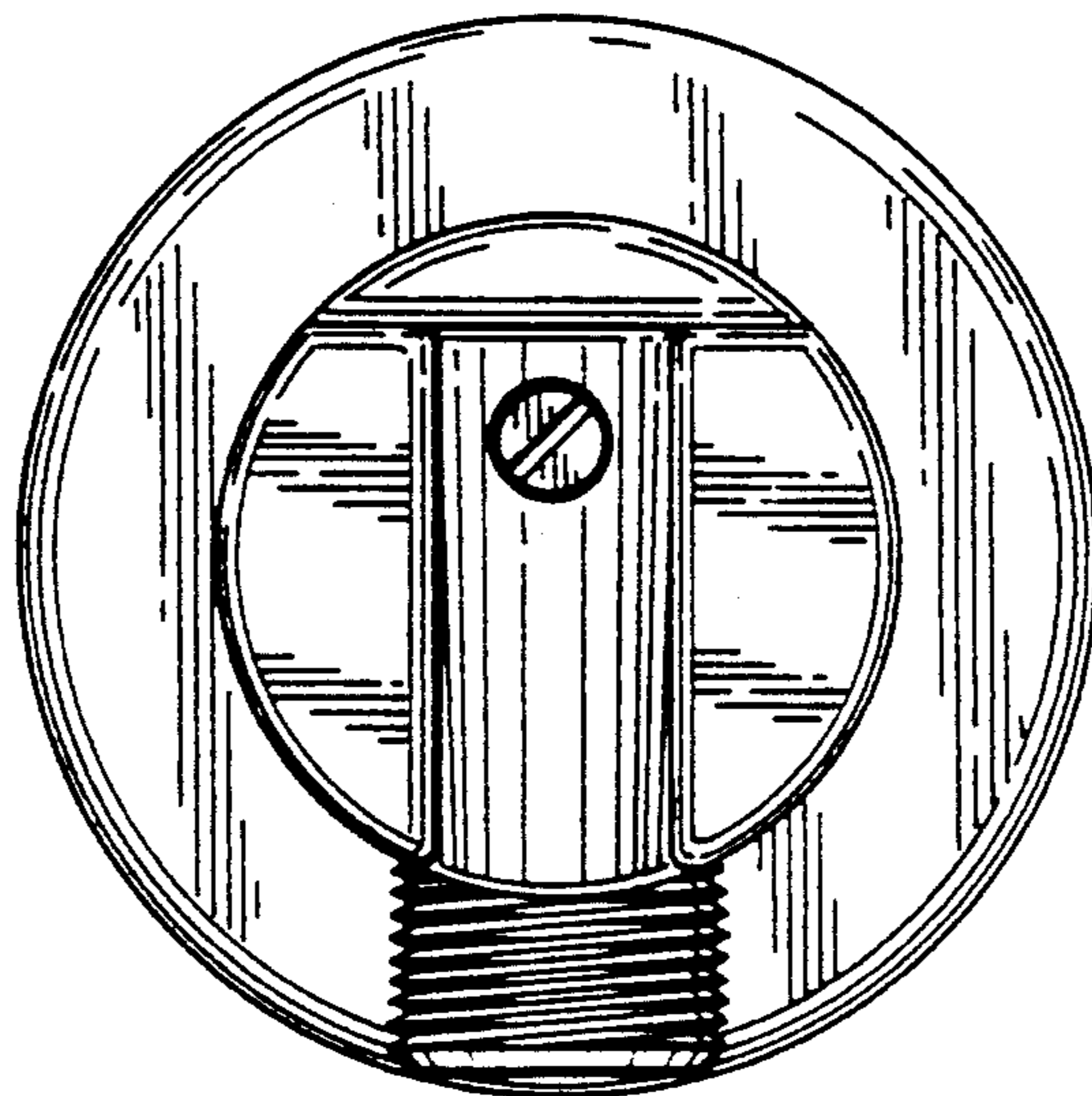


FIG. 4

FIG. 5

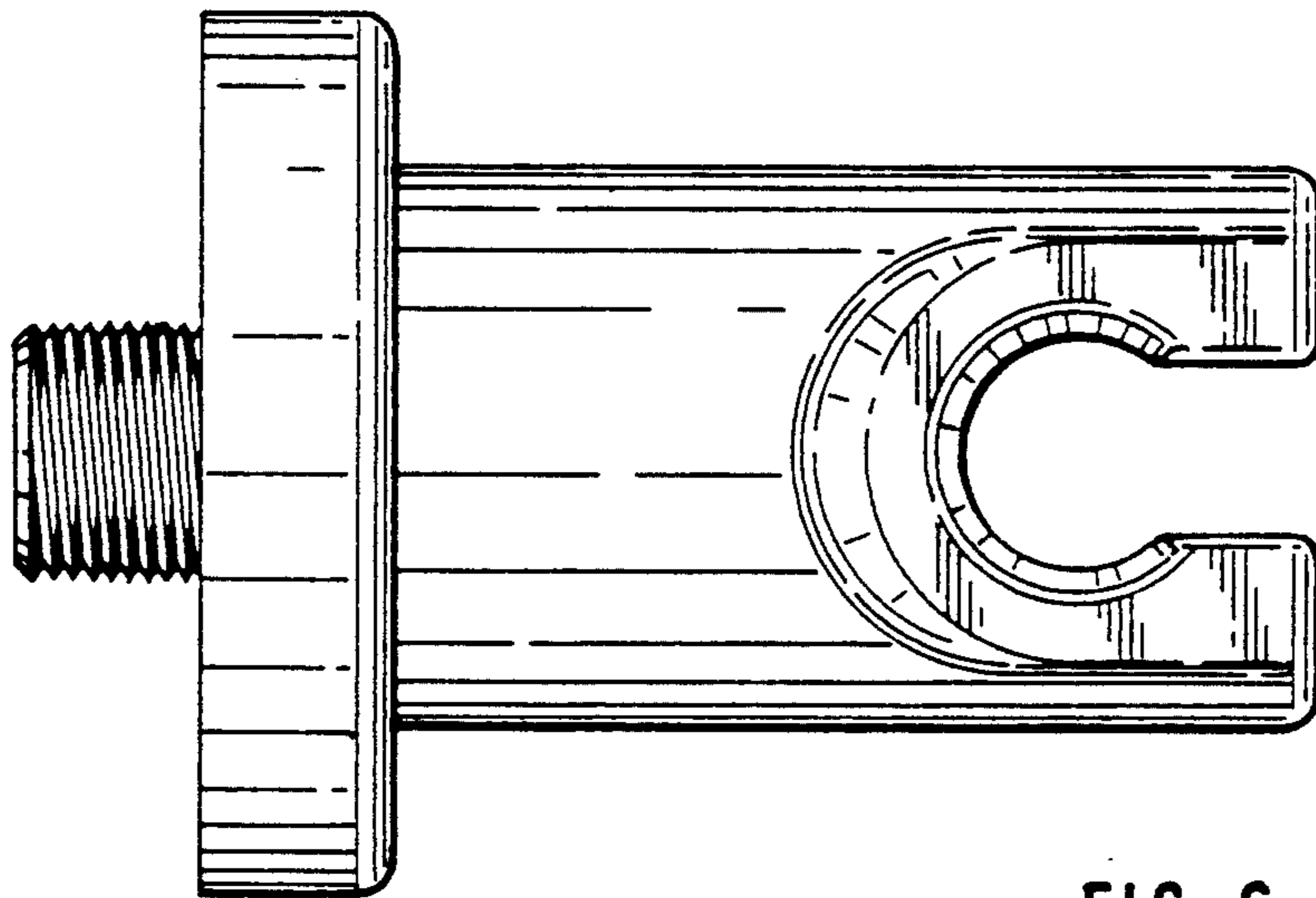
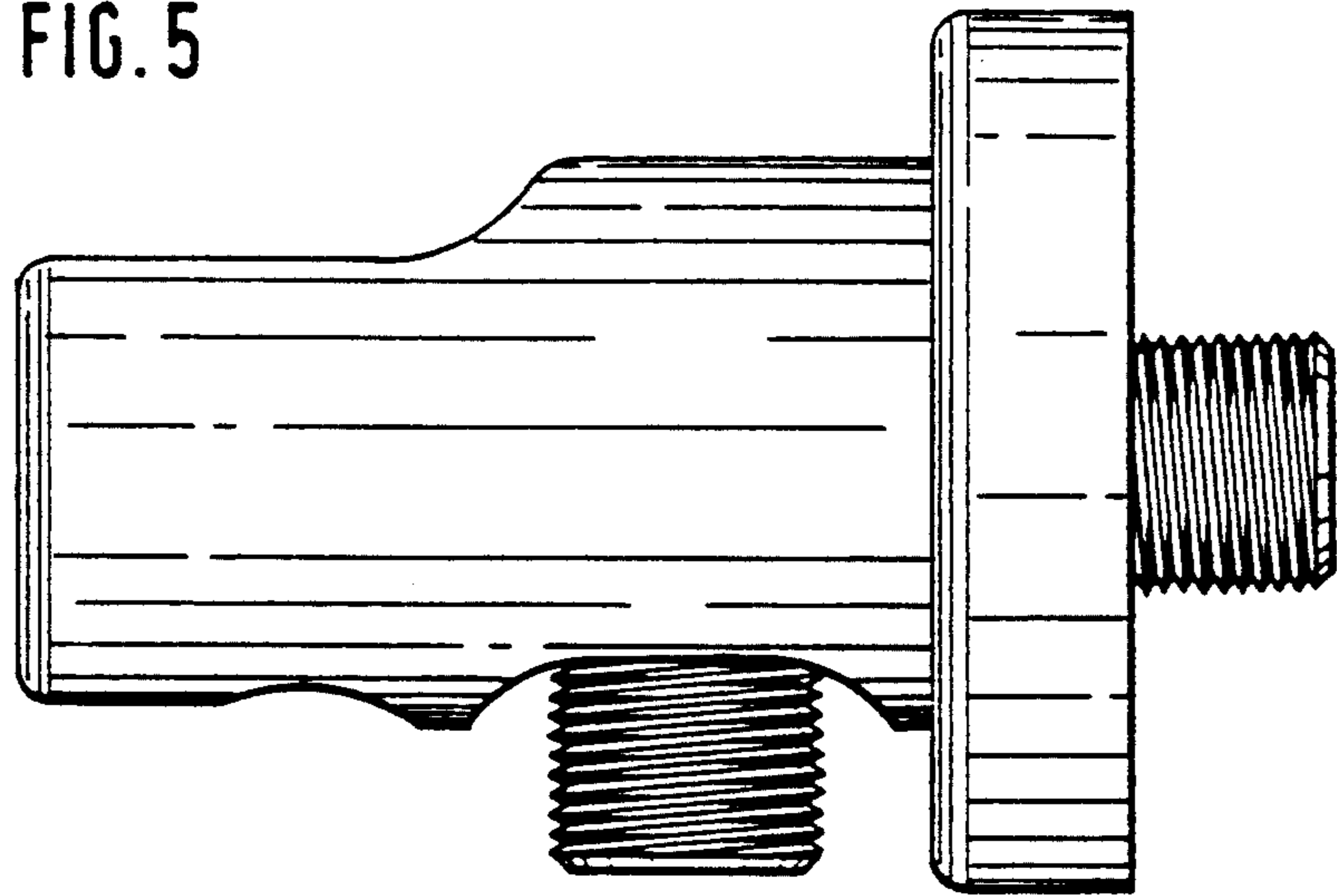


FIG. 6

FIG. 7

