



US00D341189S

United States Patent [19]

[11] Patent Number: **Des. 341,189**

Legassie et al.

[45] Date of Patent: **** Nov. 9, 1993**

[54] **VALVE ADAPTER FOR INFLATABLE BLADDER**

5,158,767 10/1992 Cohen et al. 36/88

[75] Inventors: **Charles Legassie**, Canton; **Steven F. Smith**, Taunton; **Paul E. Litchfield**, Worcester, all of Mass.

Primary Examiner—Stella Reid
Attorney, Agent, or Firm—Sterne, Kessler, Goldstein & Fox

[73] Assignee: **Reebok International Ltd.**, Stoughton, Mass.

[57] **CLAIM**

The ornamental design for a valve adapter for inflatable bladder, as shown and described.

[**] Term: **14 Years**

DESCRIPTION

[21] Appl. No.: **828,654**

FIG. 1 is a top perspective view of a valve adapter for inflatable bladder showing our new design;

[22] Filed: **Jan. 31, 1992**

FIG. 2 is a side elevational view thereof;

[52] U.S. Cl. **D23/249; D2/314**

FIG. 3 is a top plan view thereof;

[58] Field of Search **D24/196, 193, 194;**

FIG. 4 is a bottom plan view thereof;

D2/314; 36/119, 117, 88; D23/233, 249

FIG. 5 is a top perspective view of an alternate embodiment of our new design;

[56] **References Cited**

U.S. PATENT DOCUMENTS

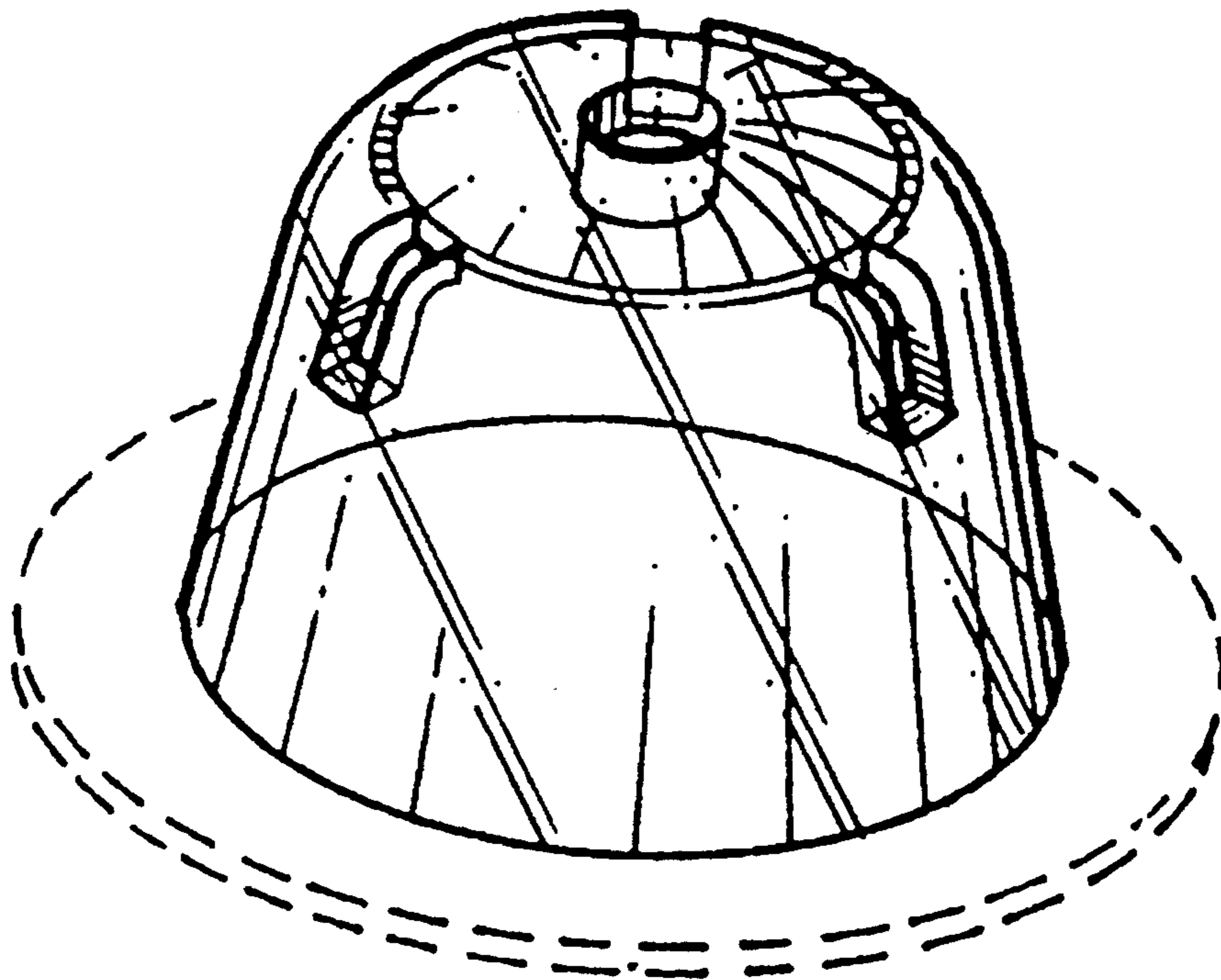
- D. 299,379 1/1989 Haggerty et al. D23/249
- D. 323,419 1/1992 Brown et al. D2/314
- D. 327,769 7/1992 Serna et al. D2/314

FIG. 6 is a side elevational view thereof;

FIG. 7 is a top plan view thereof; and,

FIG. 8 is a bottom plan view thereof.

The broken line showing of a flange in the figures is for environmental purposes only and forms no part of the claimed design.



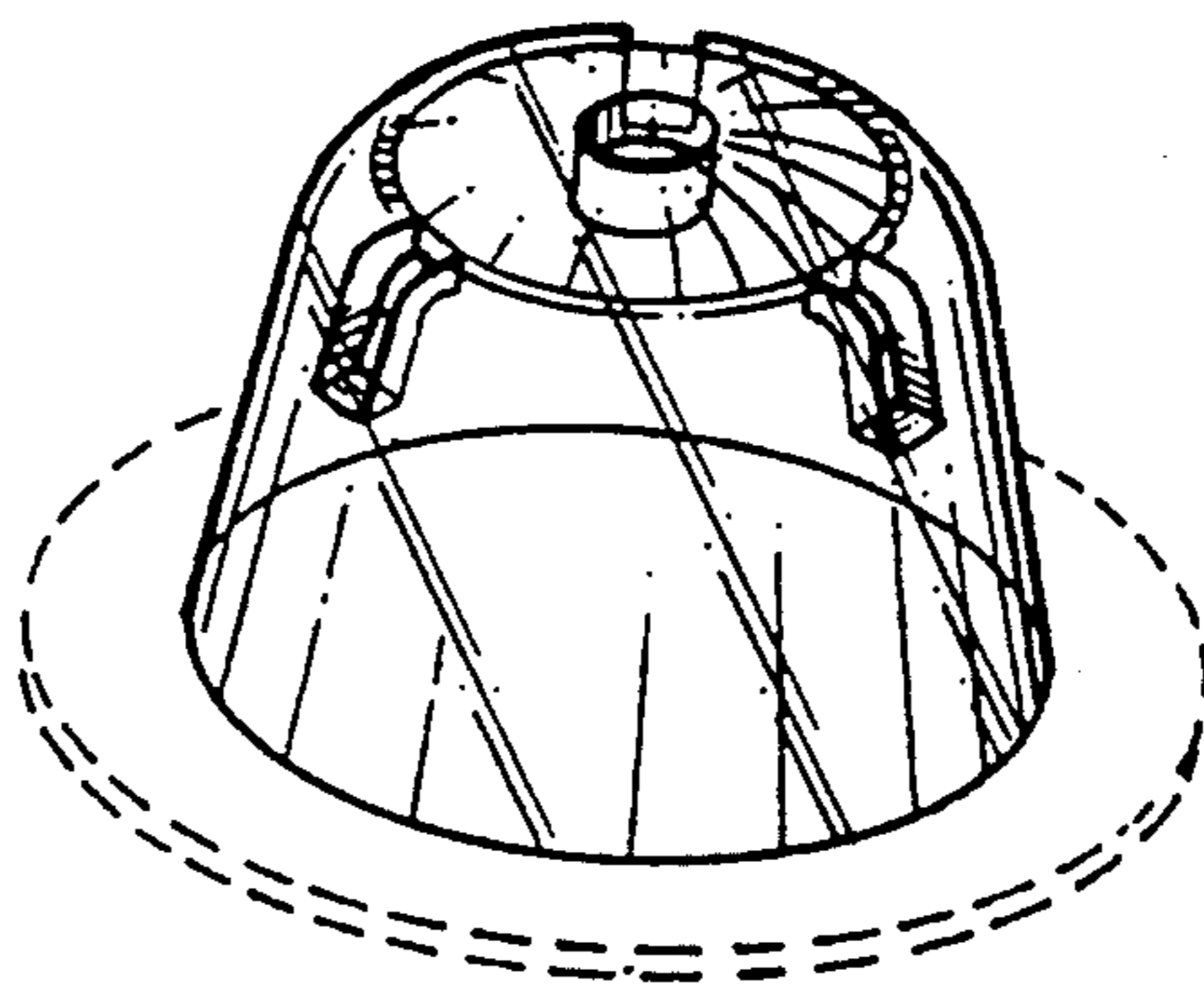


Fig. 1

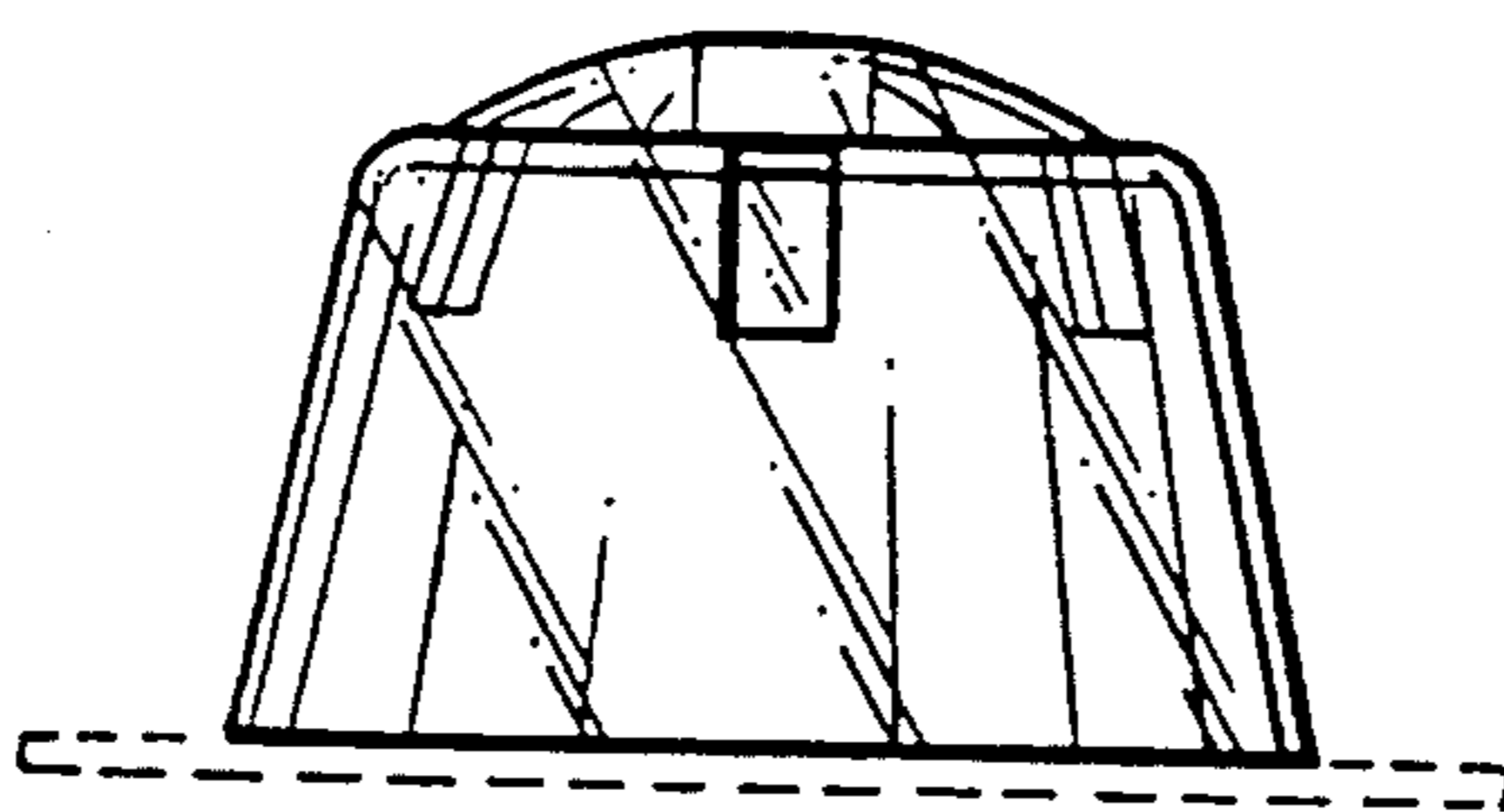


Fig. 2

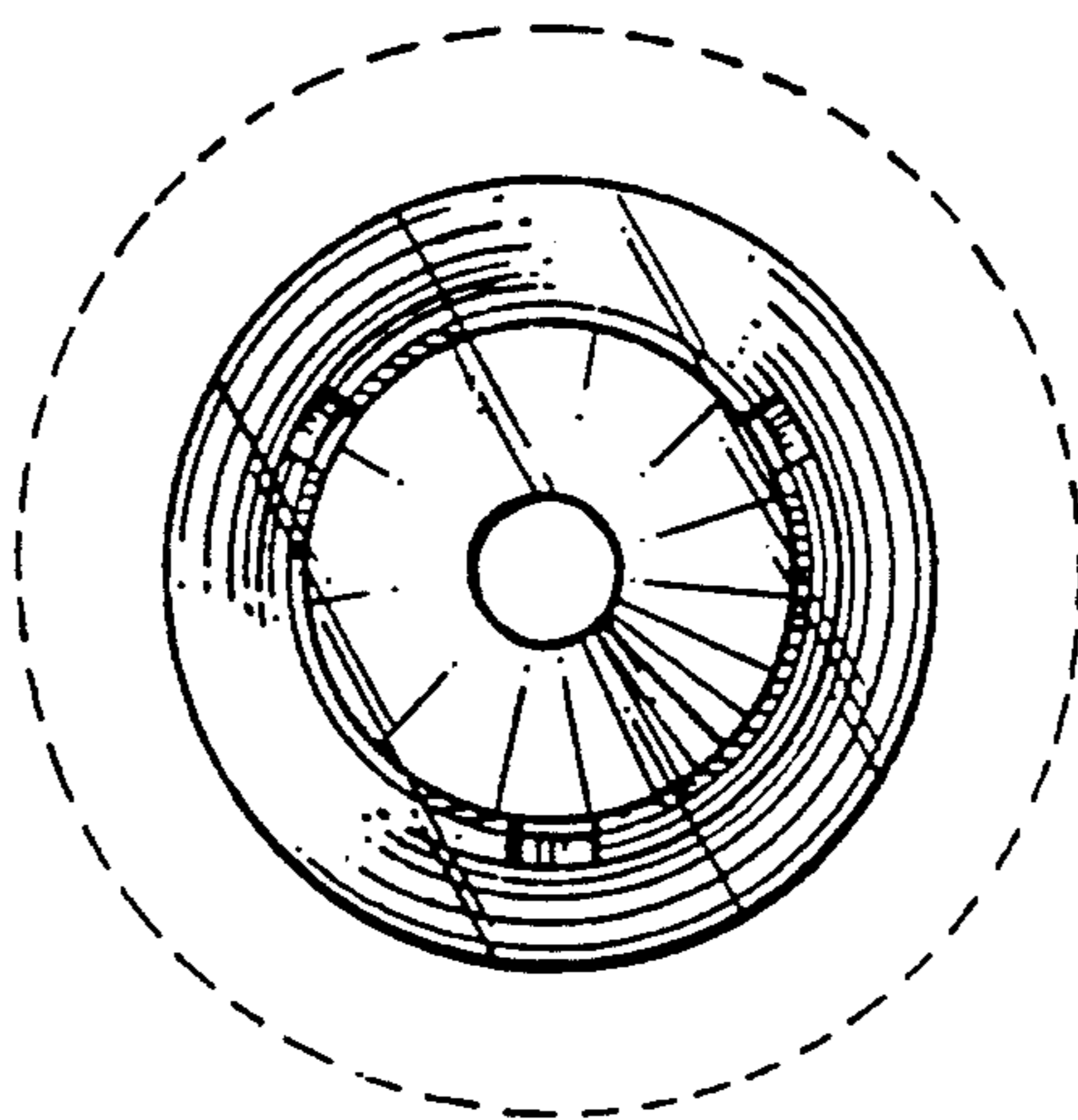


Fig. 3

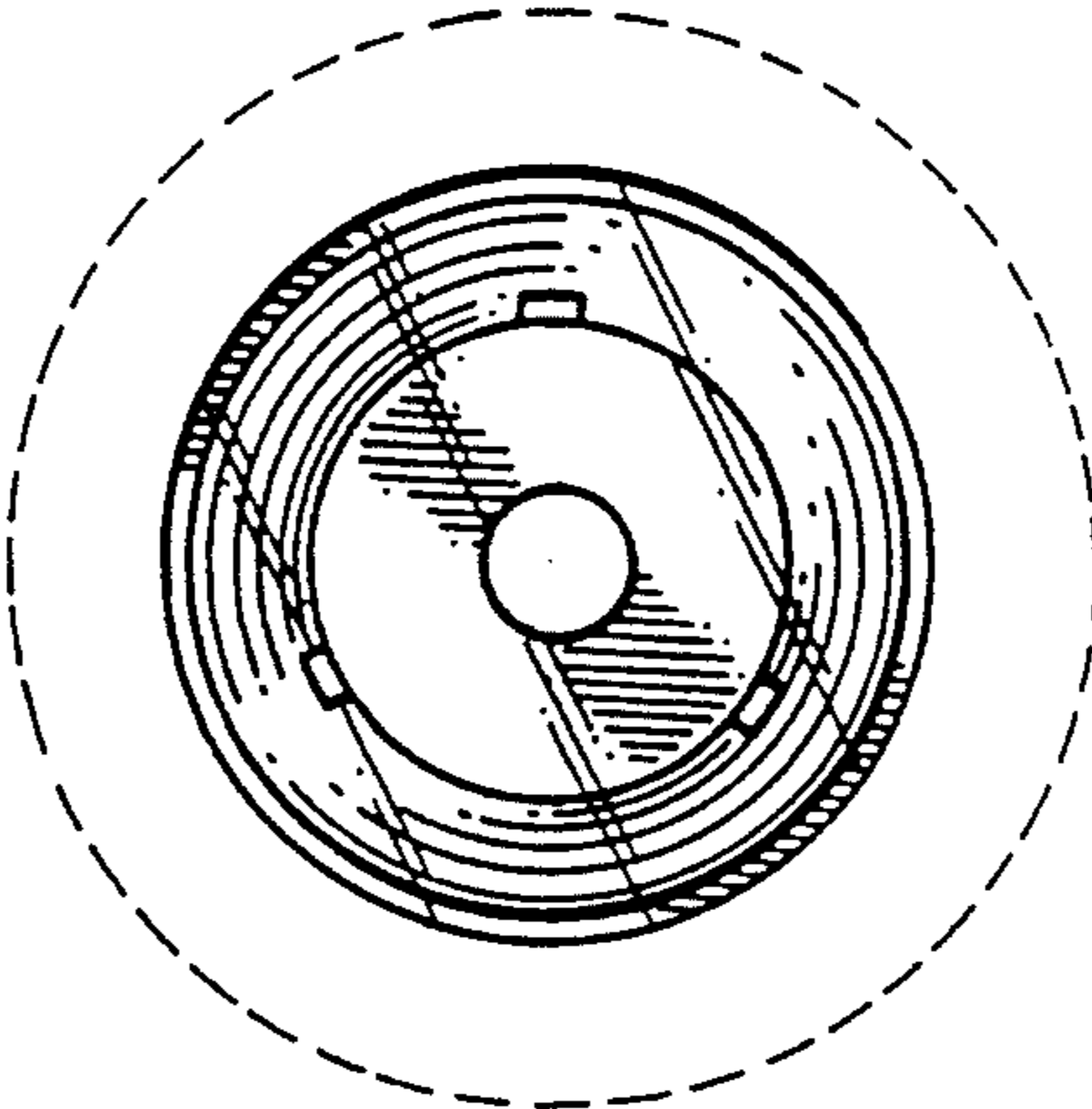


Fig. 4

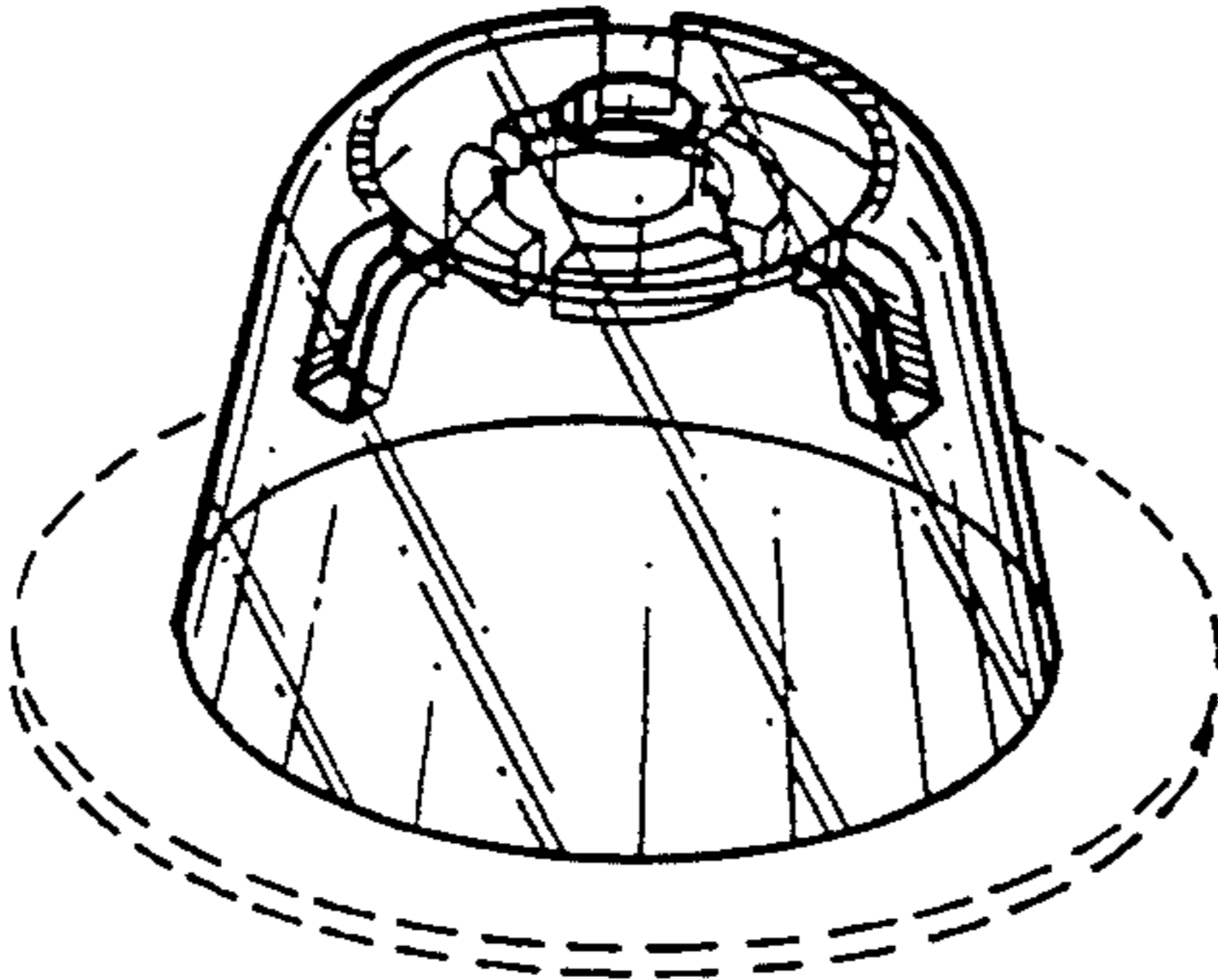


Fig. 5

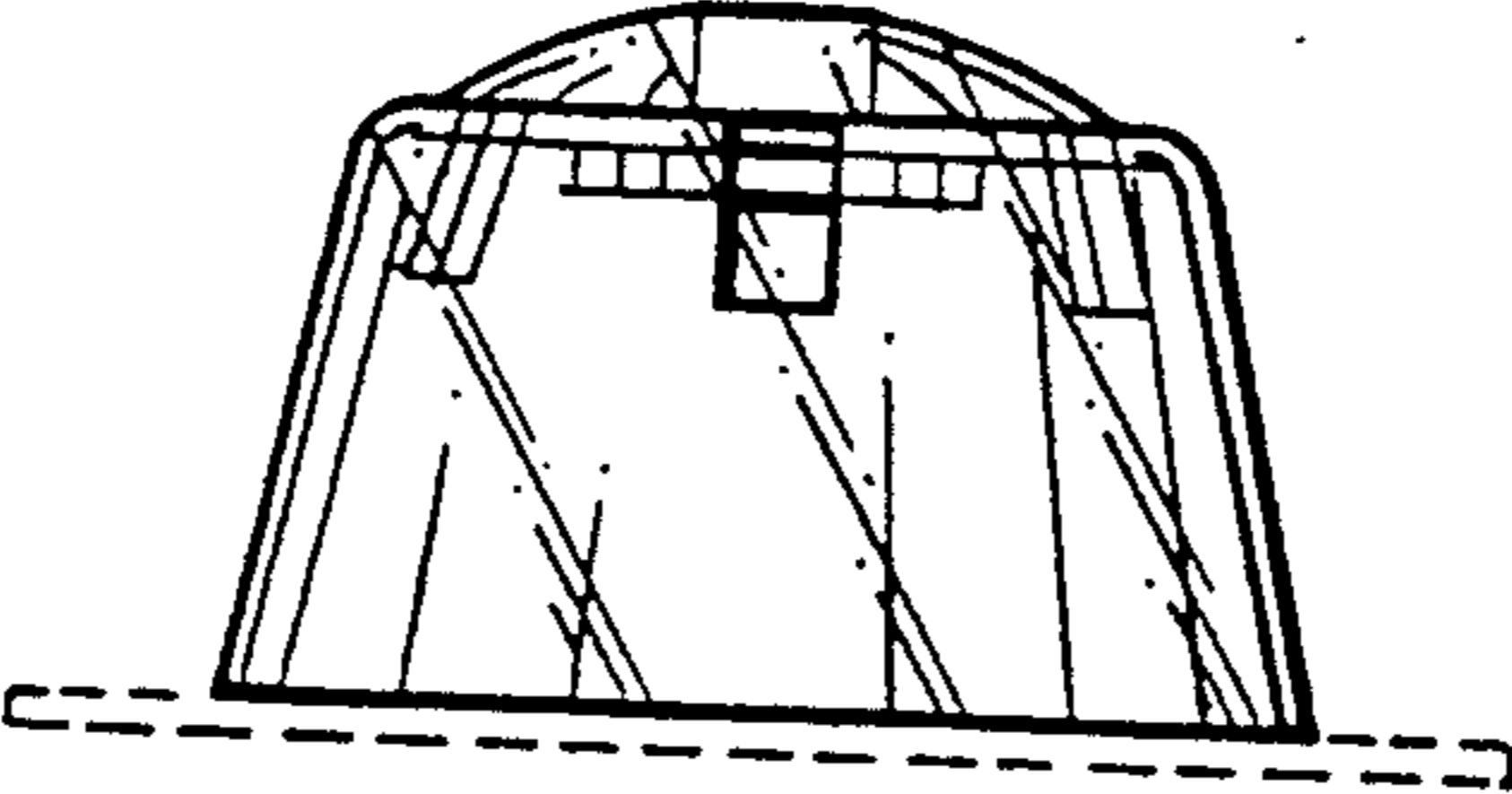


Fig. 6

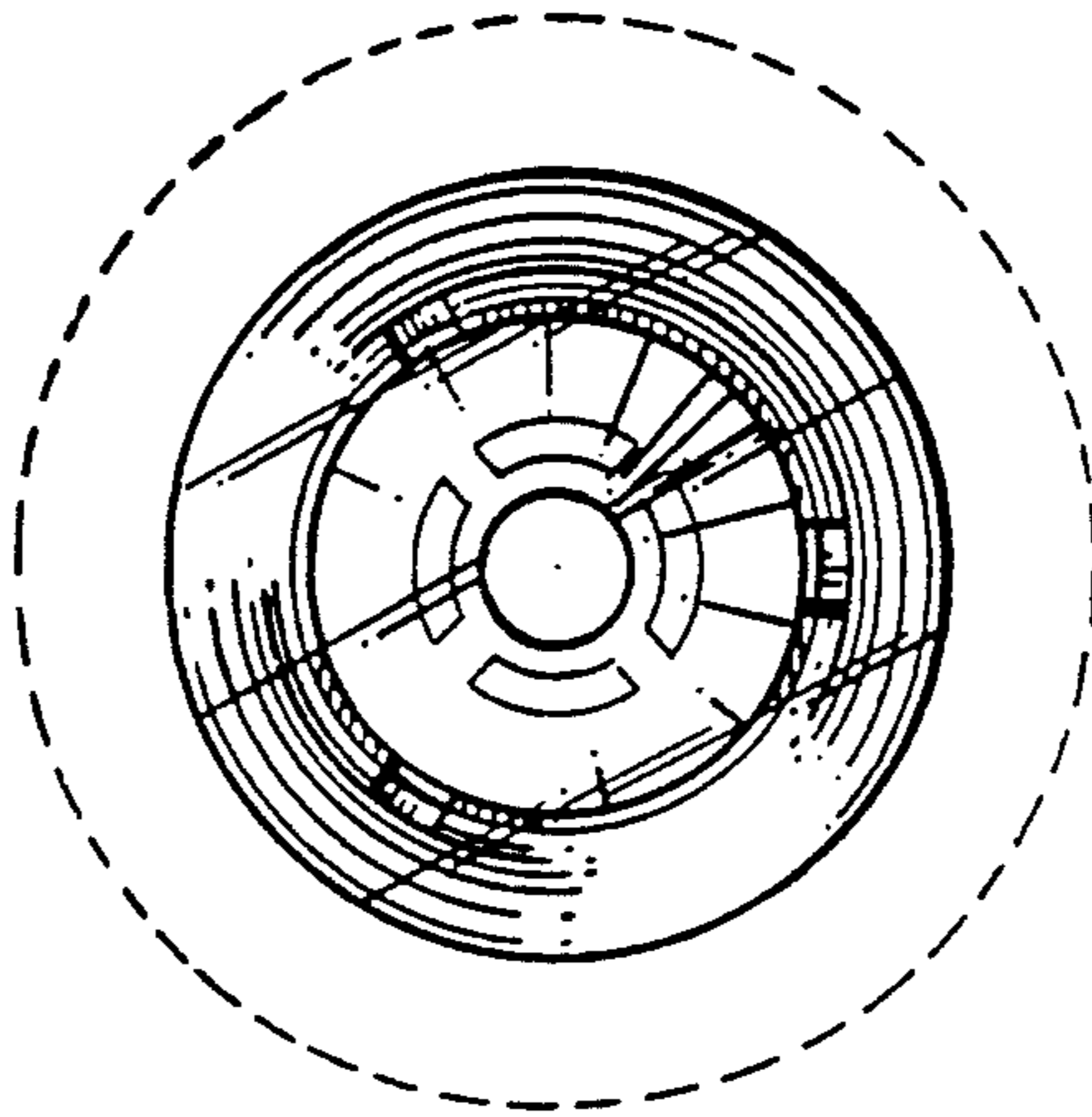


Fig. 7

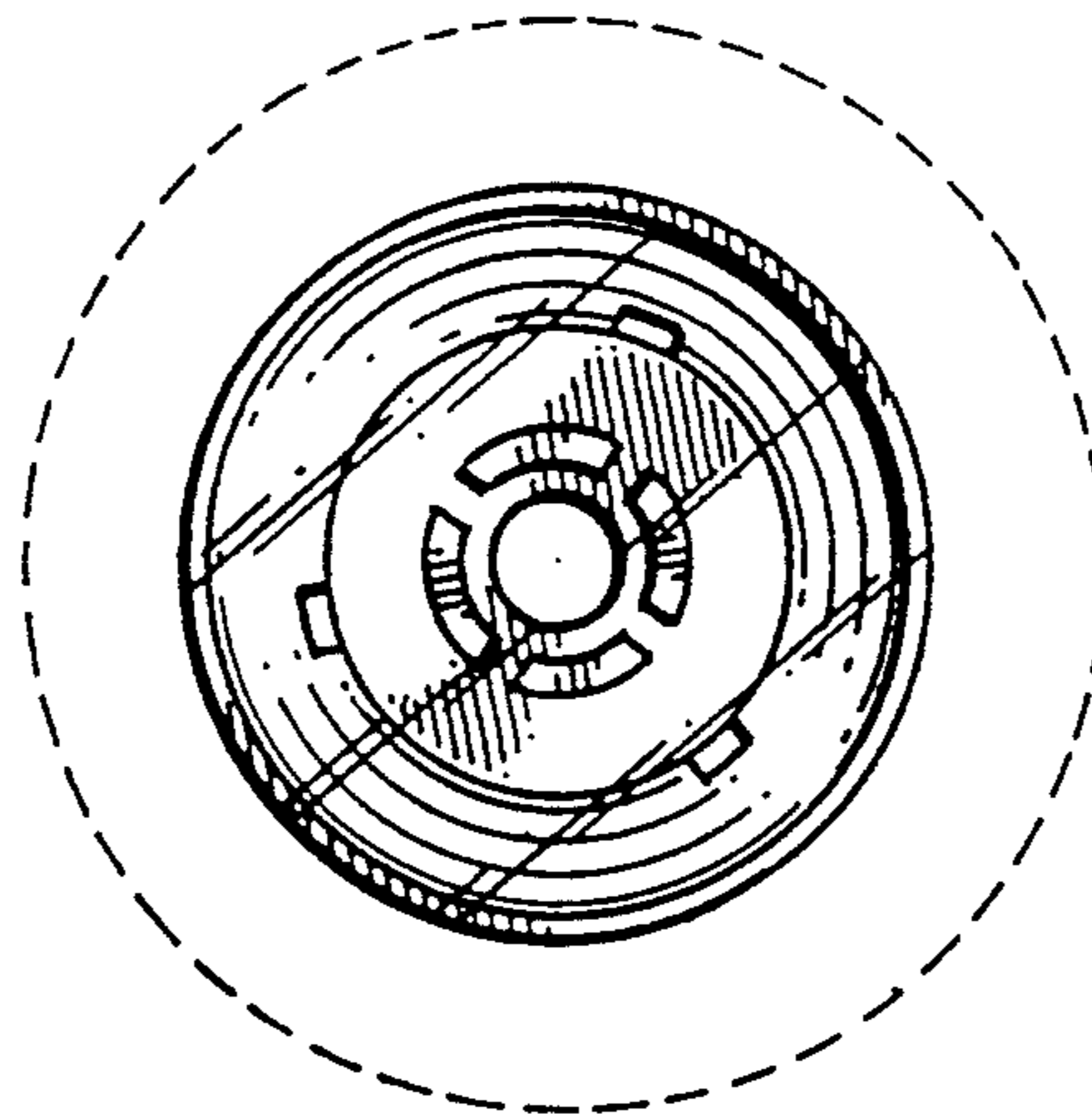


Fig. 8