



US00D341188S

United States Patent [19]

[11] Patent Number: **Des. 341,188**

Burgy et al.

[45] Date of Patent: **** Nov. 9, 1993**

[54] **POPPET VALVE**

[75] Inventors: **N. Frank Burgy**, Palm Beach Gardens; **Thomas H. Morrow, II**, Jupiter, both of Fla.

[73] Assignee: **Burrow Industries, Inc.**, St. Louis, Mo.

[**] Term: **14 Years**

[21] Appl. No.: **712,658**

[22] Filed: **Jun. 10, 1991**

[52] U.S. Cl. **D23/248**

[58] Field of Search **D23/233-237, D23/247, 249; 141/293, 302, 308, 353, 375; 222/484, 501, 525; 251/149.1, 149.8, 339**

[56] **References Cited**

U.S. PATENT DOCUMENTS

D. 81,543 7/1930 Leuthesser D23/247

D. 96,691	8/1935	Nelson	D23/247
D. 213,192	1/1969	Hastings	D23/247
D. 232,006	7/1974	Graham	D23/245 X
D. 321,241	10/1991	Inglo	D23/235
3,033,247	5/1962	Beall, Jr. .	
3,207,190	9/1965	Silbereis et al. .	
4,874,023	10/1989	Ulm .	
4,903,742	2/1990	Gagnon .	

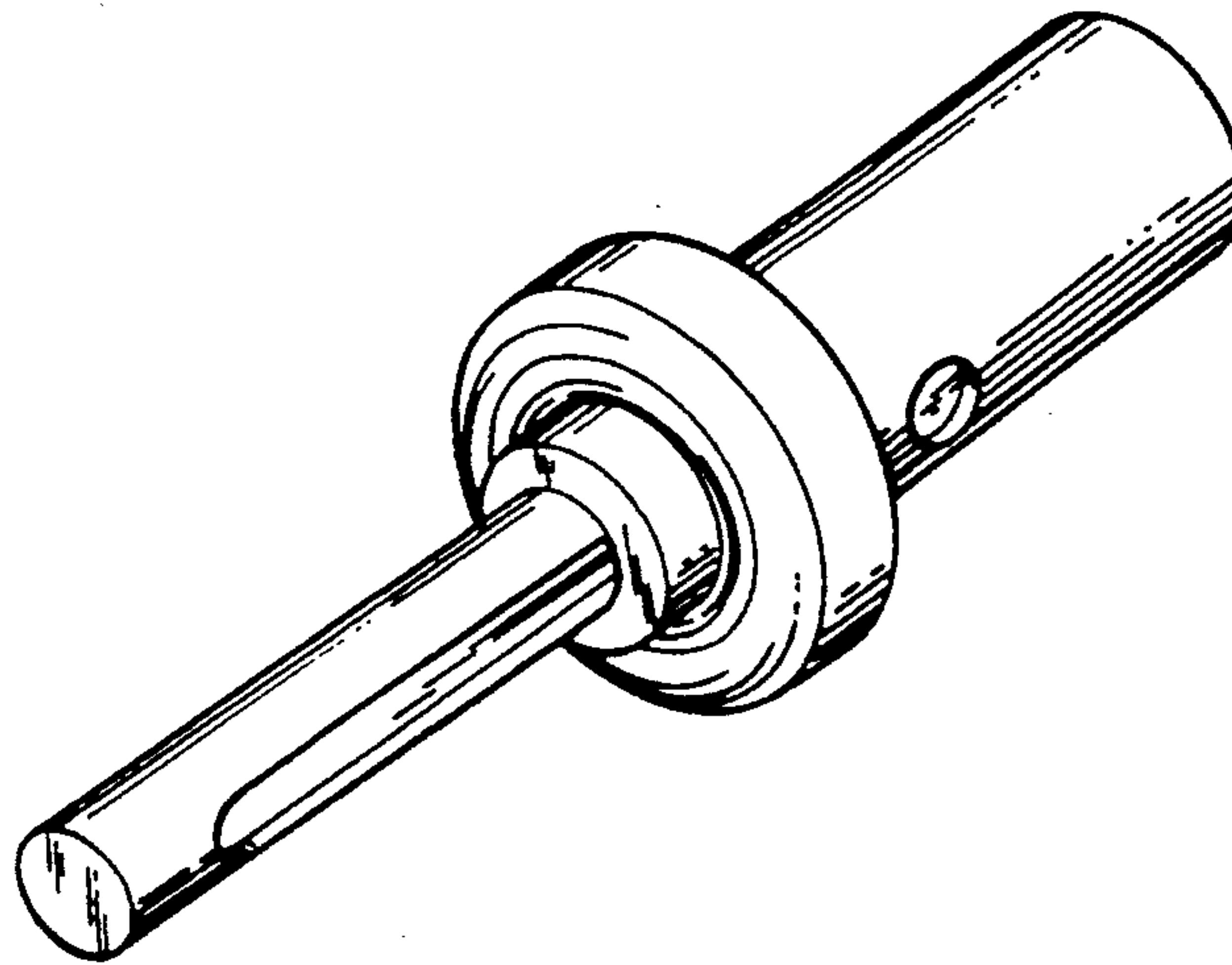
Primary Examiner—James R. Largen
Attorney, Agent, or Firm—Kalish & Gilster

[57] CLAIM

The ornamental design for a poppet valve, as shown and described.

DESCRIPTION

FIG. 1 is a right side perspective view of a poppet valve embodying my new design;
FIG. 2 is a top plan view thereof;
FIG. 3 is a bottom plan view thereof; and,
FIG. 4 is a left side perspective view thereof.



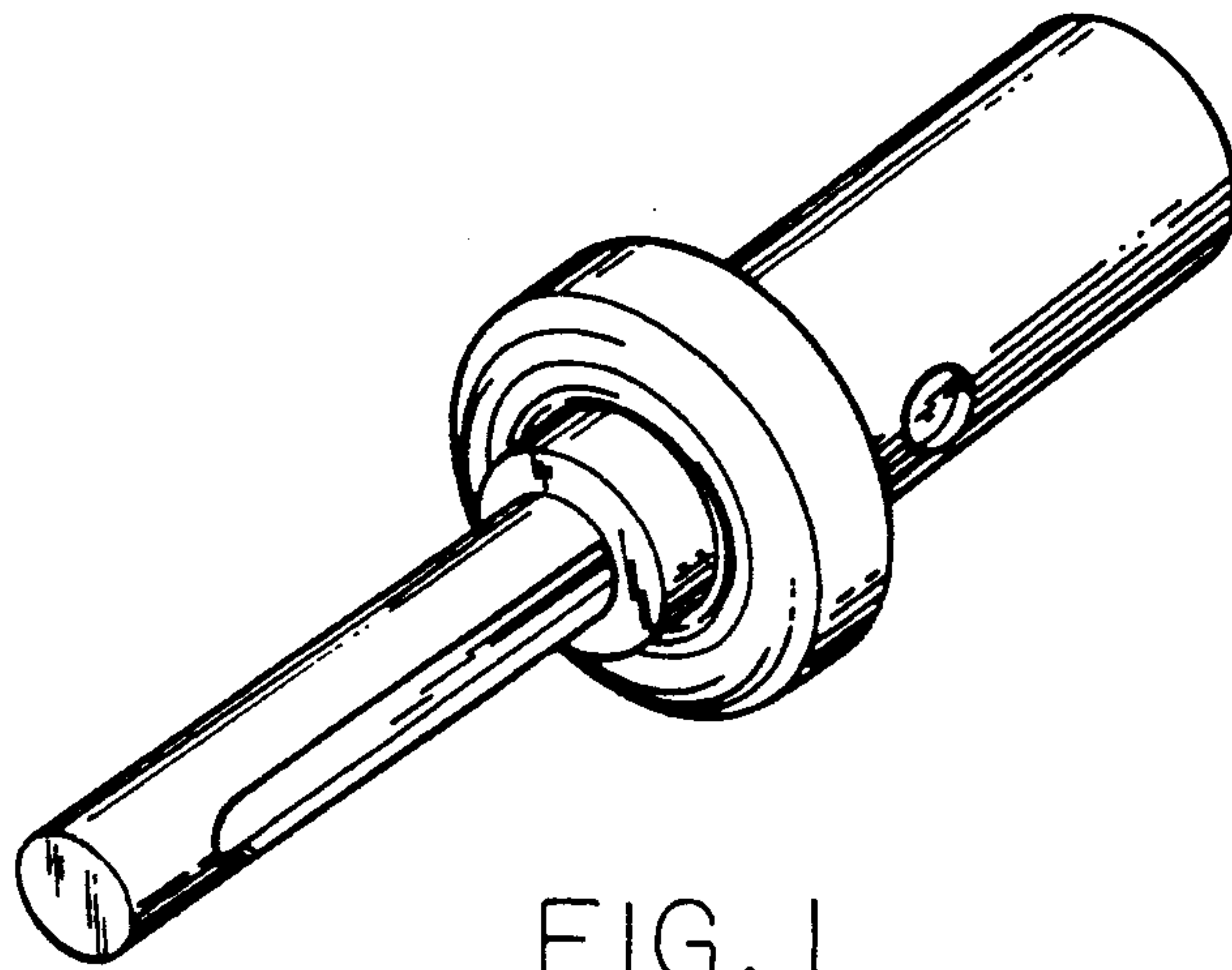


FIG. 1

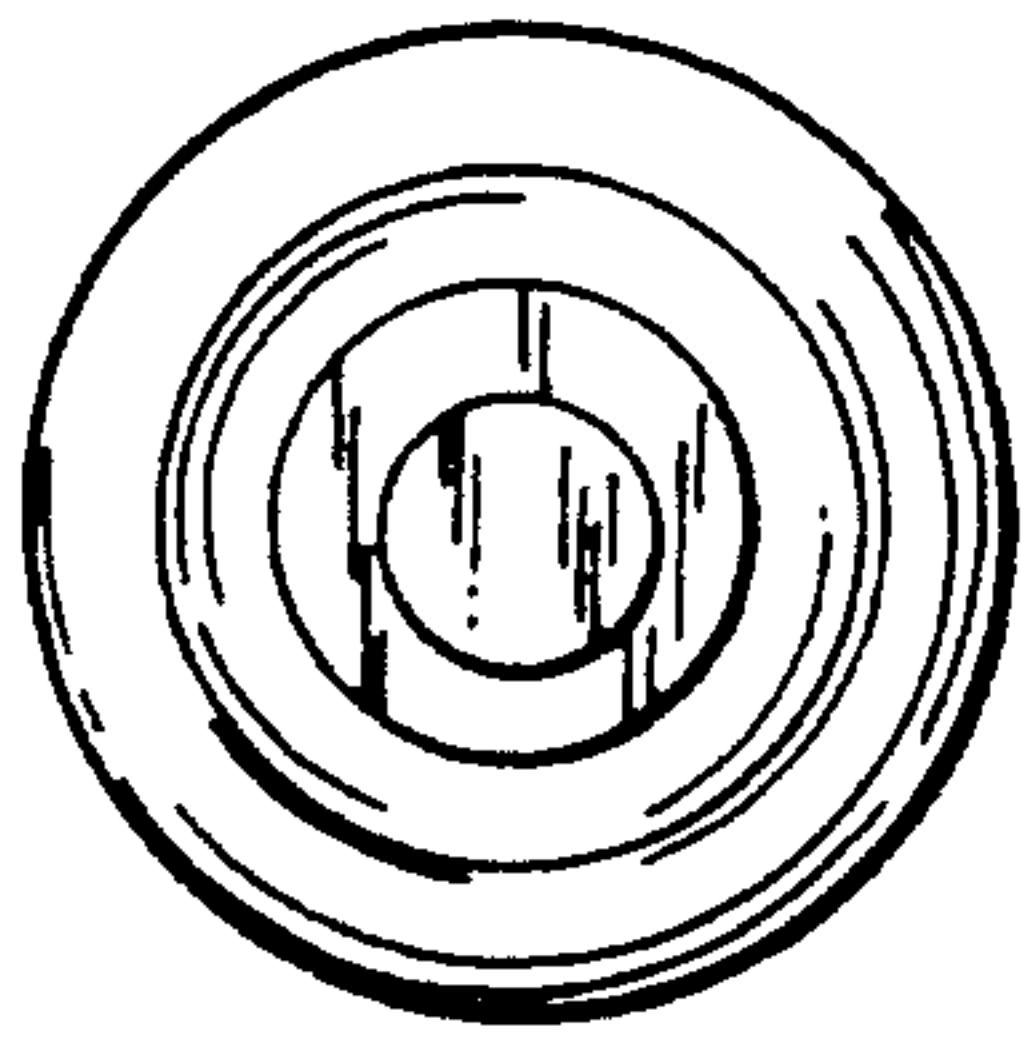


FIG. 2

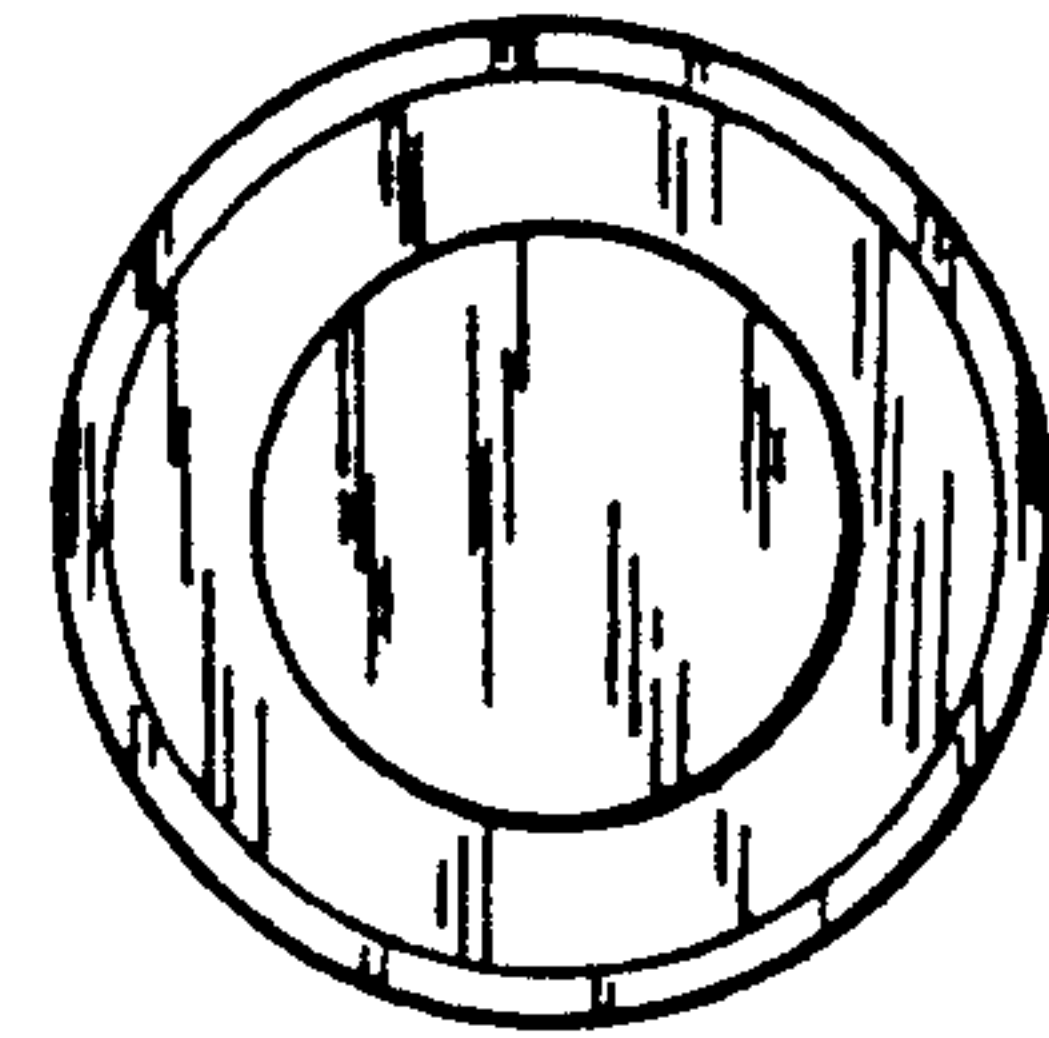


FIG. 3

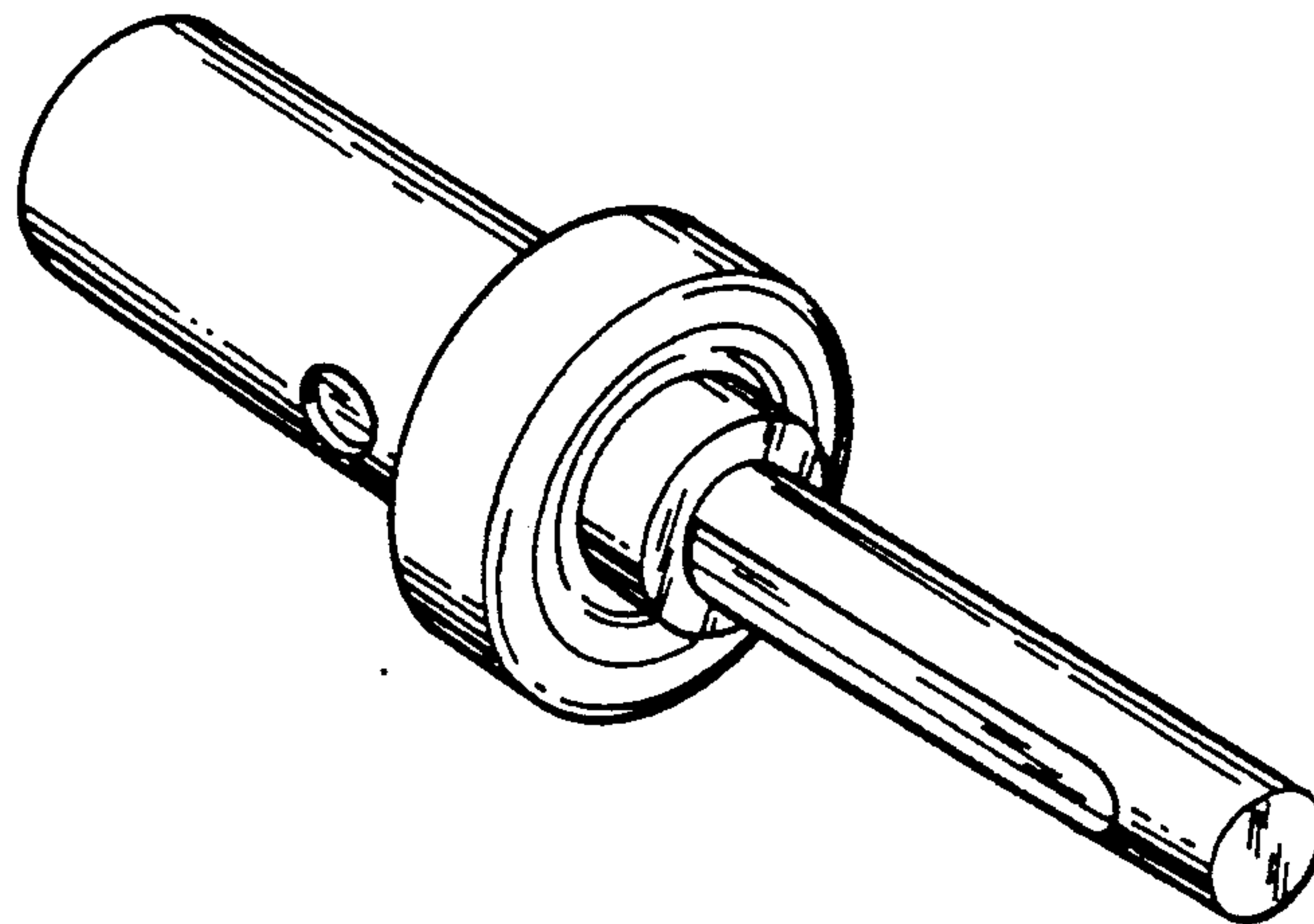


FIG. 4