



US00D341187S

# United States Patent [19]

[11] Patent Number: **Des. 341,187**

**Stachowiak**

[45] Date of Patent: **\*\* Nov. 9, 1993**

[54] VALVE

[75] Inventor: **Krzysztof Stachowiak, Venice, Calif.**

[73] Assignee: **American Safety Flight Systems, Inc., Glendale, Calif.**

[\*\*] Term: **14 Years**

[21] Appl. No.: **570,286**

[22] Filed: **Aug. 20, 1990**

[52] U.S. Cl. .... **D23/233**

[58] Field of Search ..... **D23/233-237, D23/244-249; D29/6, 7; D24/129; 137/382, 614.19; 251/257, 263, 297, 89**

[56] **References Cited**

**U.S. PATENT DOCUMENTS**

- D. 198,499 6/1964 Harautuneian ..... D23/245 X Y
- D. 218,519 8/1970 Mese ..... D23/248
- D. 219,777 1/1971 Mese ..... D23/247
- D. 234,637 3/1975 Flynn ..... D29/7
- D. 234,846 4/1975 Gallant ..... D23/245
- D. 237,968 12/1975 Olson, Jr. .... D23/249
- D. 239,283 3/1976 Villari ..... D23/248

- D. 257,286 10/1988 Folkman ..... D23/245 X Y
- D. 300,271 3/1989 Rudolph et al. .... D29/7
- D. 300,272 3/1989 Rudolph et al. .... D29/7
- D. 305,814 1/1990 Fangrow, Jr. .... D29/7
- D. 315,971 4/1991 Molzan ..... D29/6
- 2,194,714 3/1940 Mueller ..... 251/297 X Y
- 2,571,356 10/1951 Gates ..... 251/263
- 2,694,412 11/1954 Jaros ..... 251/297 X Y
- 2,831,500 4/1958 Fannema et al. .... 137/614.19 X Y
- 2,869,582 1/1959 Skipwith, Jr. .... 137/614.19
- 4,705,076 11/1987 Krechel et al. .... 137/614.19 X Y

*Primary Examiner*—James R. Largen  
*Attorney, Agent, or Firm*—Graham & James

[57] **CLAIM**

The ornamental design for a valve, as shown.

**DESCRIPTION**

FIG. 1 is a front elevational view of a valve showing my new design;  
FIG. 2 is a left side elevational view thereof;  
FIG. 3 is a right side elevational view thereof;  
FIG. 4 is a top plan view thereof; and,  
FIG. 5 is a bottom plan view thereof.

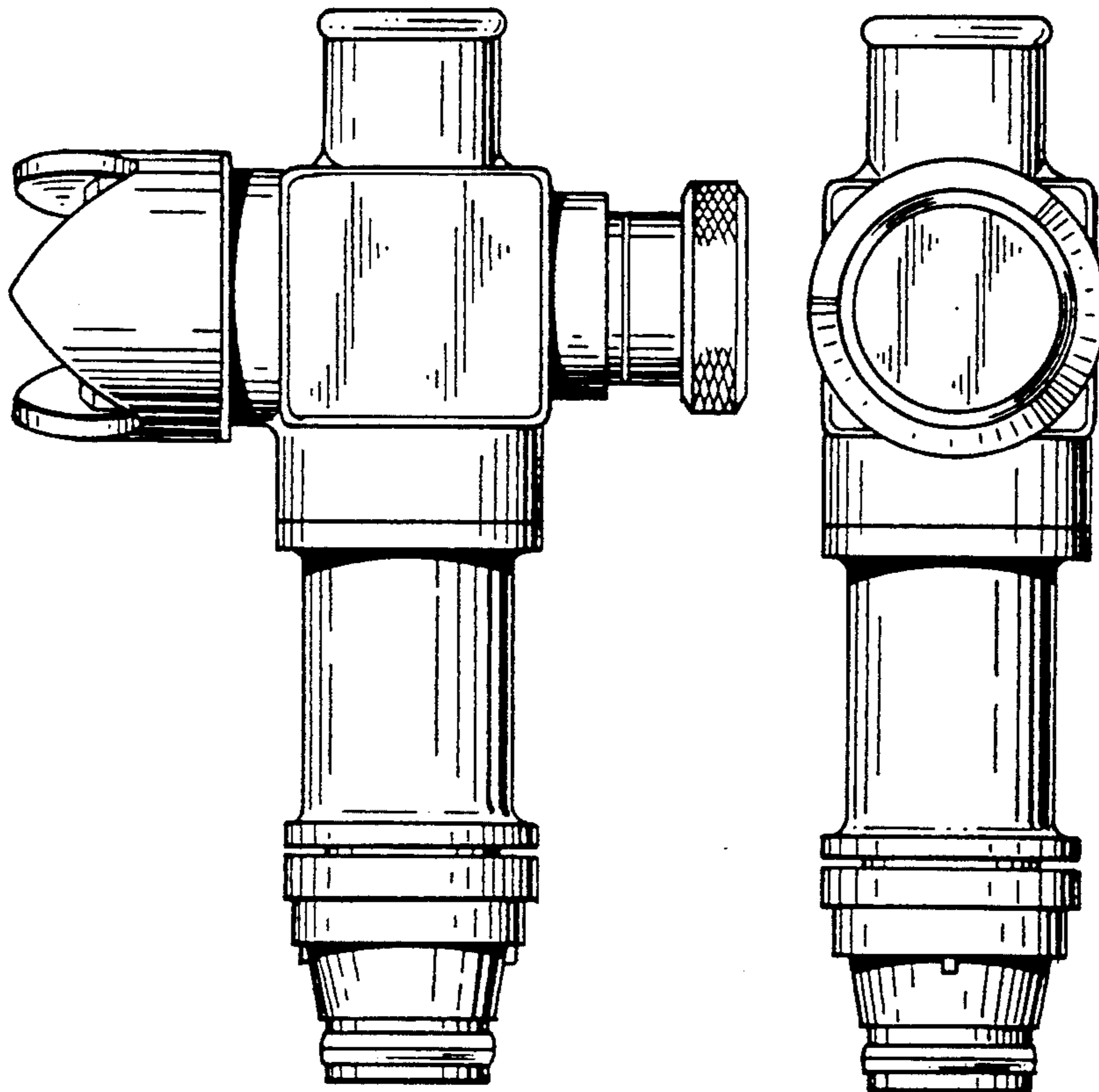


FIG. 1

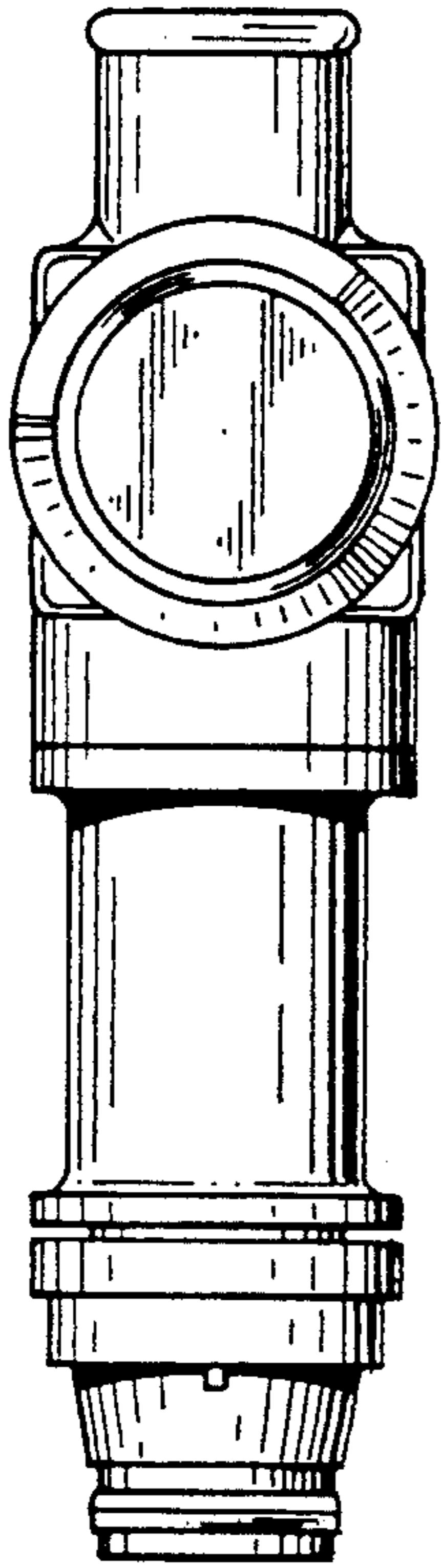
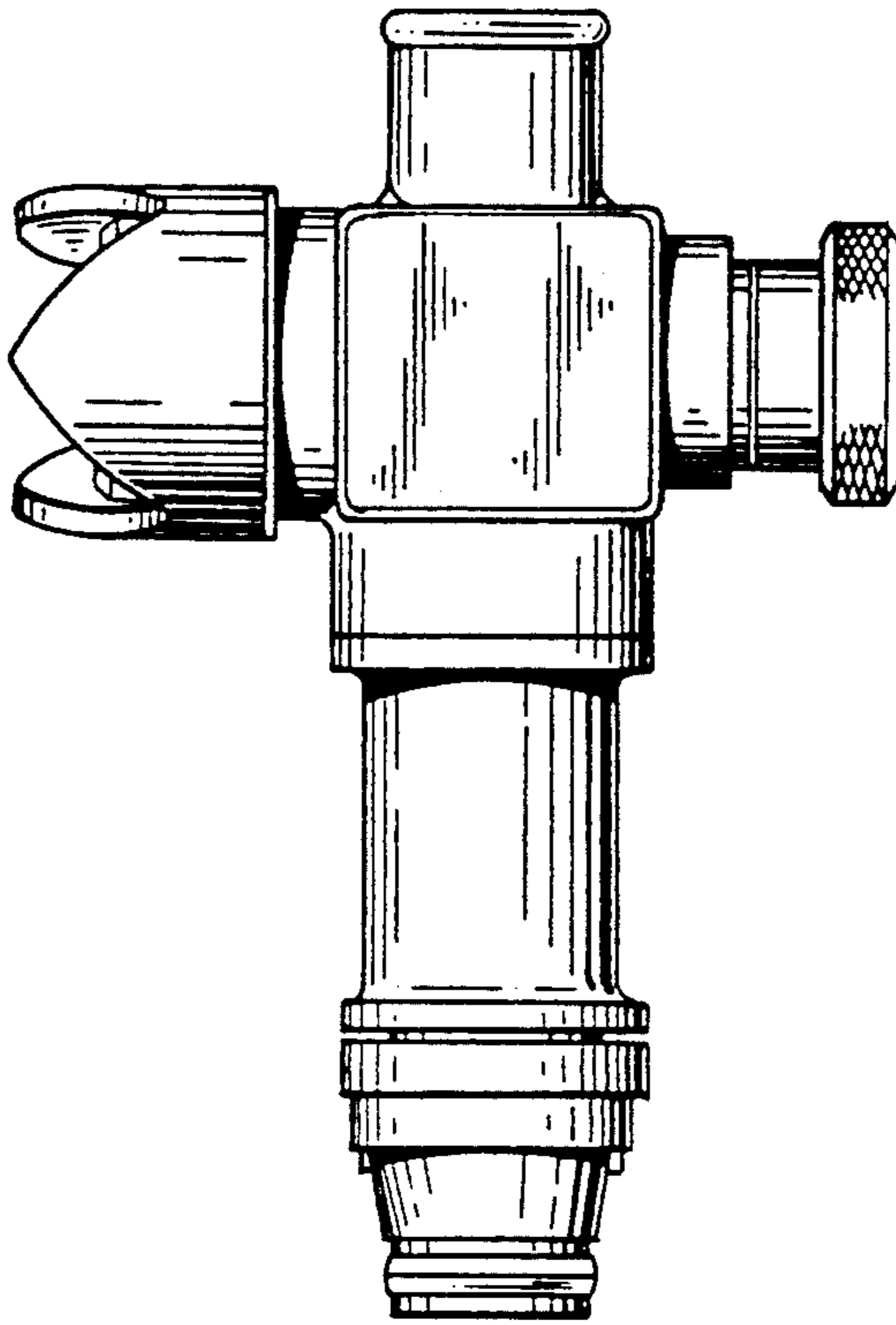


FIG. 2

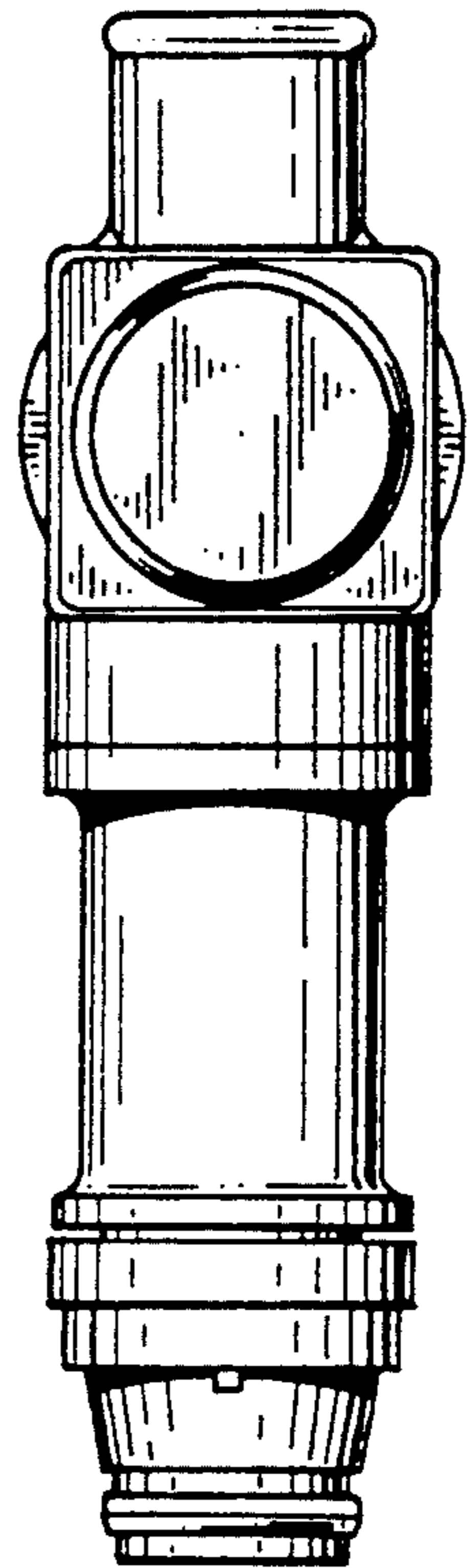


FIG. 3

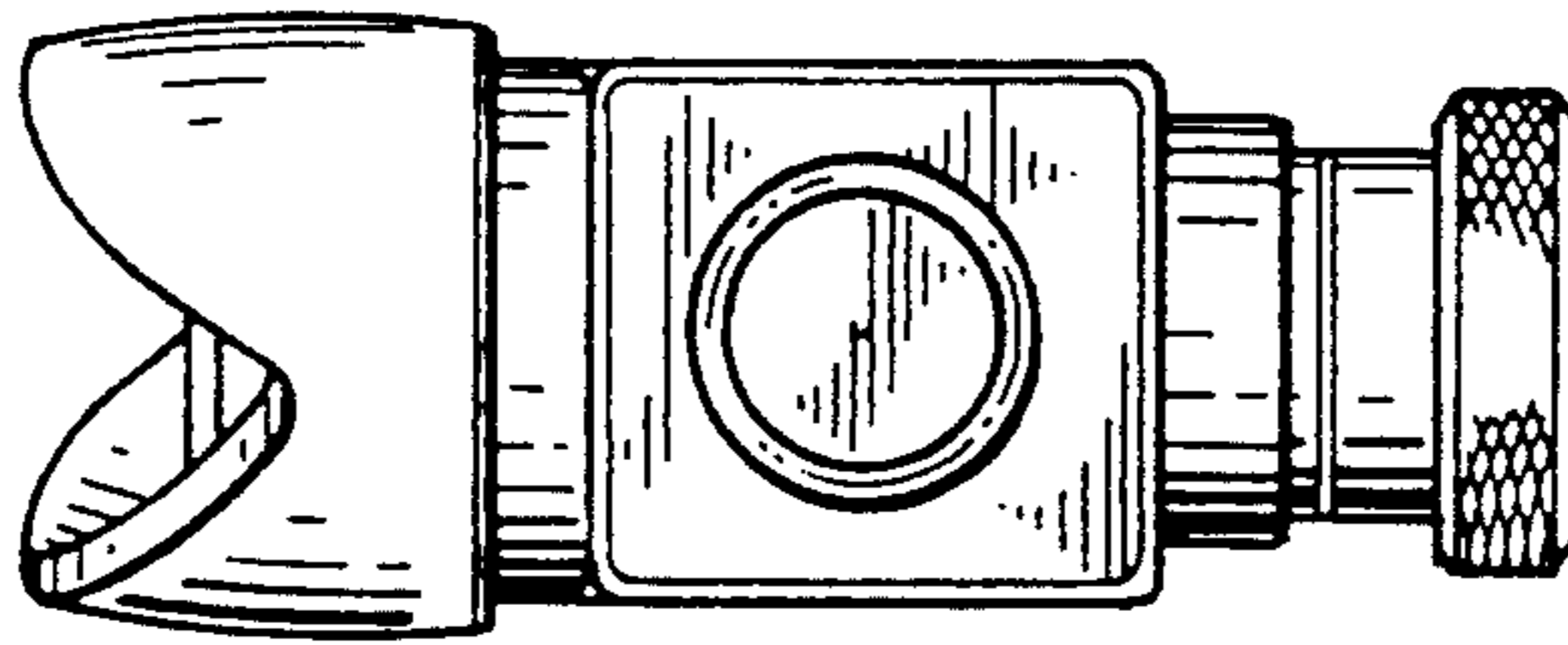


FIG. 4

FIG. 5

