



US00D341186S

United States Patent [19]

[11] Patent Number: **Des. 341,186**

Albers

[45] Date of Patent: **** Nov. 9, 1993**

[54] **SPRAY GUN**

[76] Inventor: **Terry A. Albers, 22 Chicory Bend Ct., Sacramento, Calif. 95831**

[**] Term: **14 Years**

[21] Appl. No.: **874,579**

[22] Filed: **Apr. 27, 1992**

[52] U.S. Cl. **D23/226; D23/225**

[58] Field of Search **D23/213, 223-227; 239/301, 332, 373, 394, 414-415, 525-528, 532, 554, 556**

[56] **References Cited**

U.S. PATENT DOCUMENTS

D. 117,308	10/1939	Tammen	D23/226
D. 328,779	8/1992	Albers et al.	D23/225
D. 331,095	11/1992	Steinberg	D23/225
4,993,642	2/1991	Hufgard	239/526 X
5,078,323	1/1992	Frank	239/415 X
5,119,992	6/1992	Grine	239/373 X

OTHER PUBLICATIONS

HVLP-5000; published by HVLP Technology Service

Center; 3 pages from total of 6; date unknown, but suspected to be 1991 or earlier.

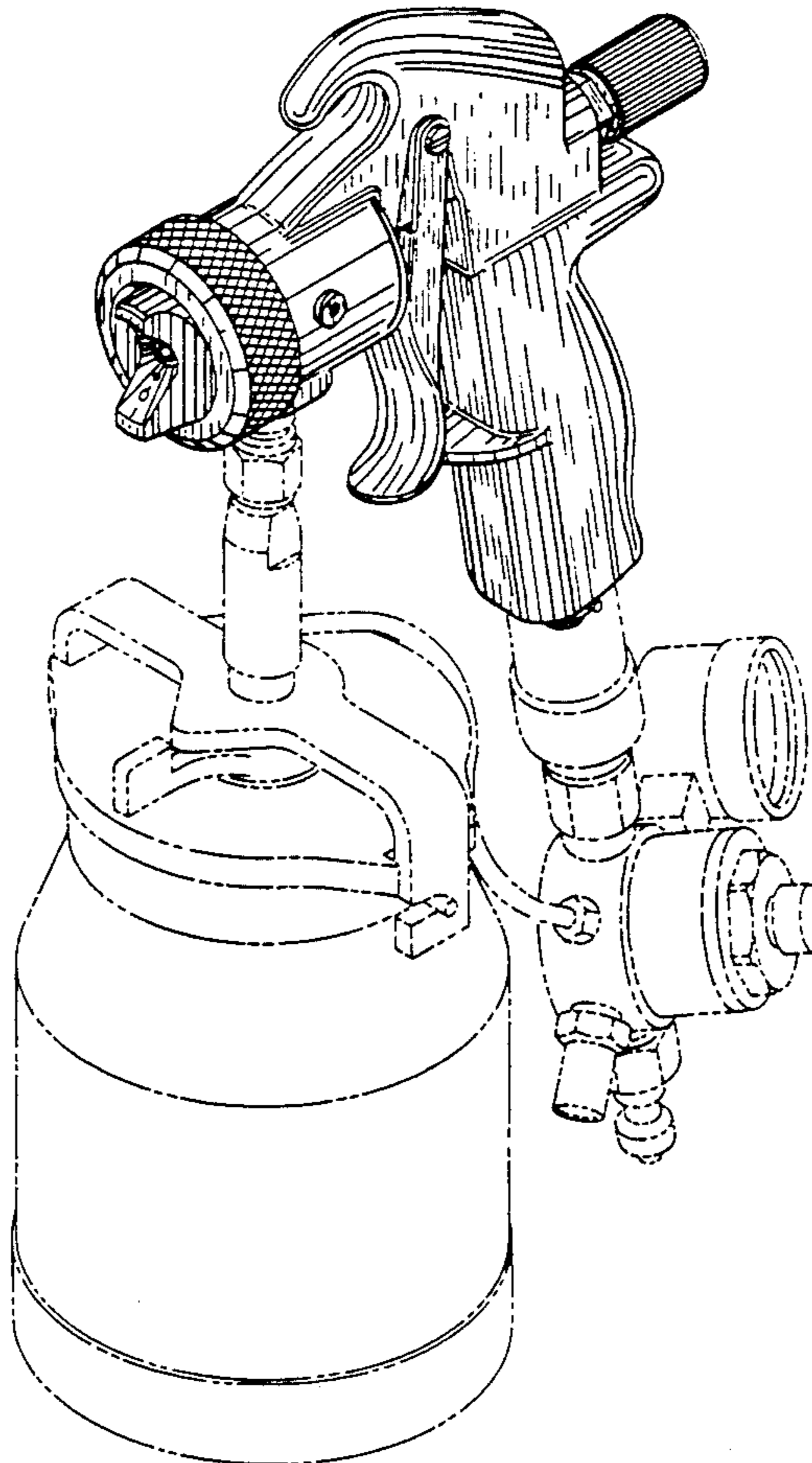
Primary Examiner—Wallace R. Burke
Assistant Examiner—M. H. Tung
Attorney, Agent, or Firm—Joseph E. Gerber

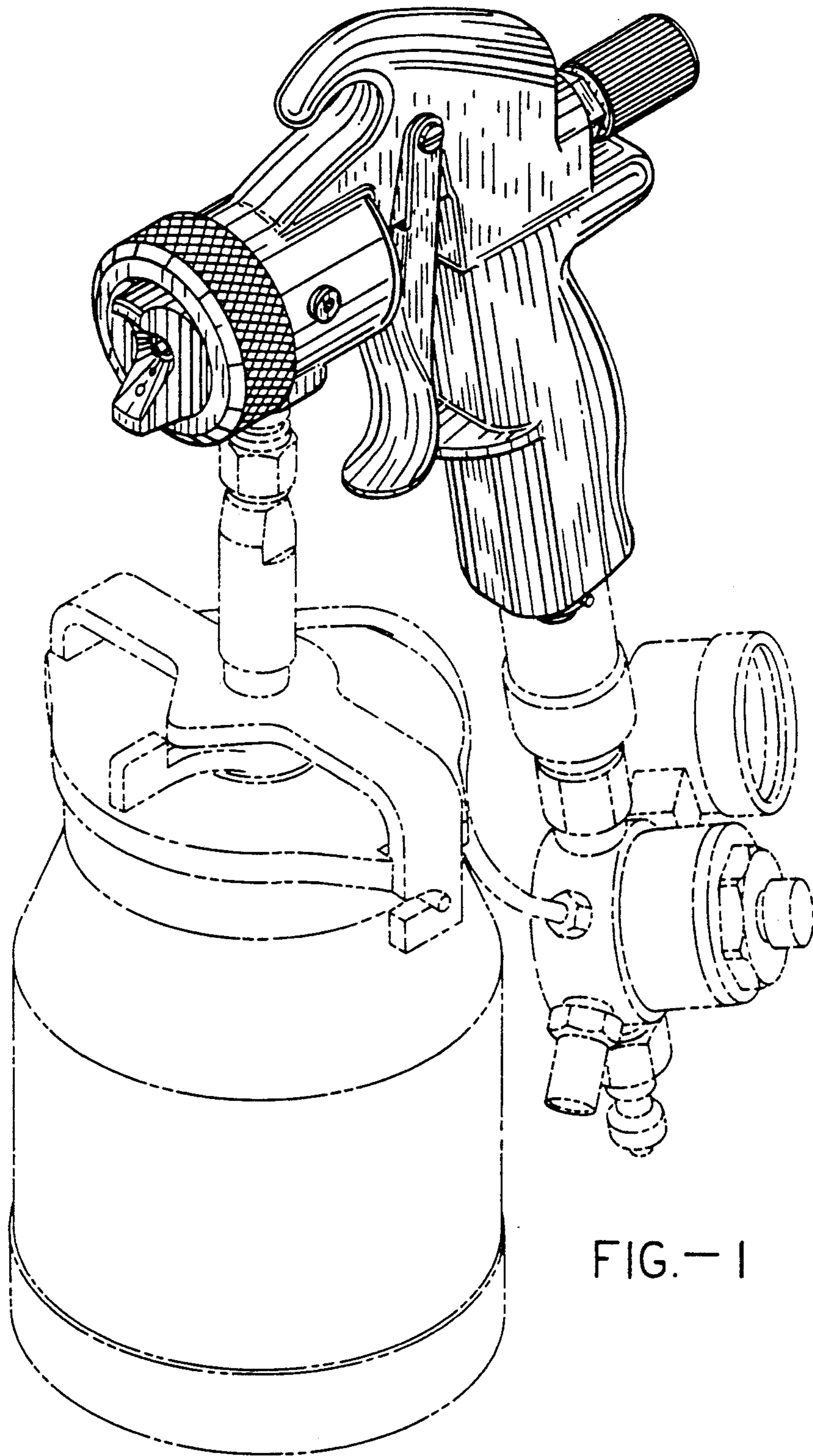
[57] **CLAIM**

The ornamental design for a spray gun, as shown and described.

DESCRIPTION

FIG. 1 is a perspective view of a spray gun showing a first embodiment of my new design;
FIG. 2 is a left side elevational view thereof;
FIG. 3 is a right side elevational view thereof;
FIG. 4 is a front elevational view thereof;
FIG. 5 is a rear elevational view thereof;
FIG. 6 is a top plan view thereof;
FIG. 7 is a bottom plan view thereof;
FIG. 8 is a perspective view of a spray gun showing a second embodiment of my new design;
FIG. 9 is a left side elevational view thereof;
FIG. 10 is a right side elevational view thereof;
FIG. 11 is a front elevational view thereof;
FIG. 12 is a rear elevational view thereof;
FIG. 13 is a top plan view thereof; and,
FIG. 14 is a bottom plan view thereof.





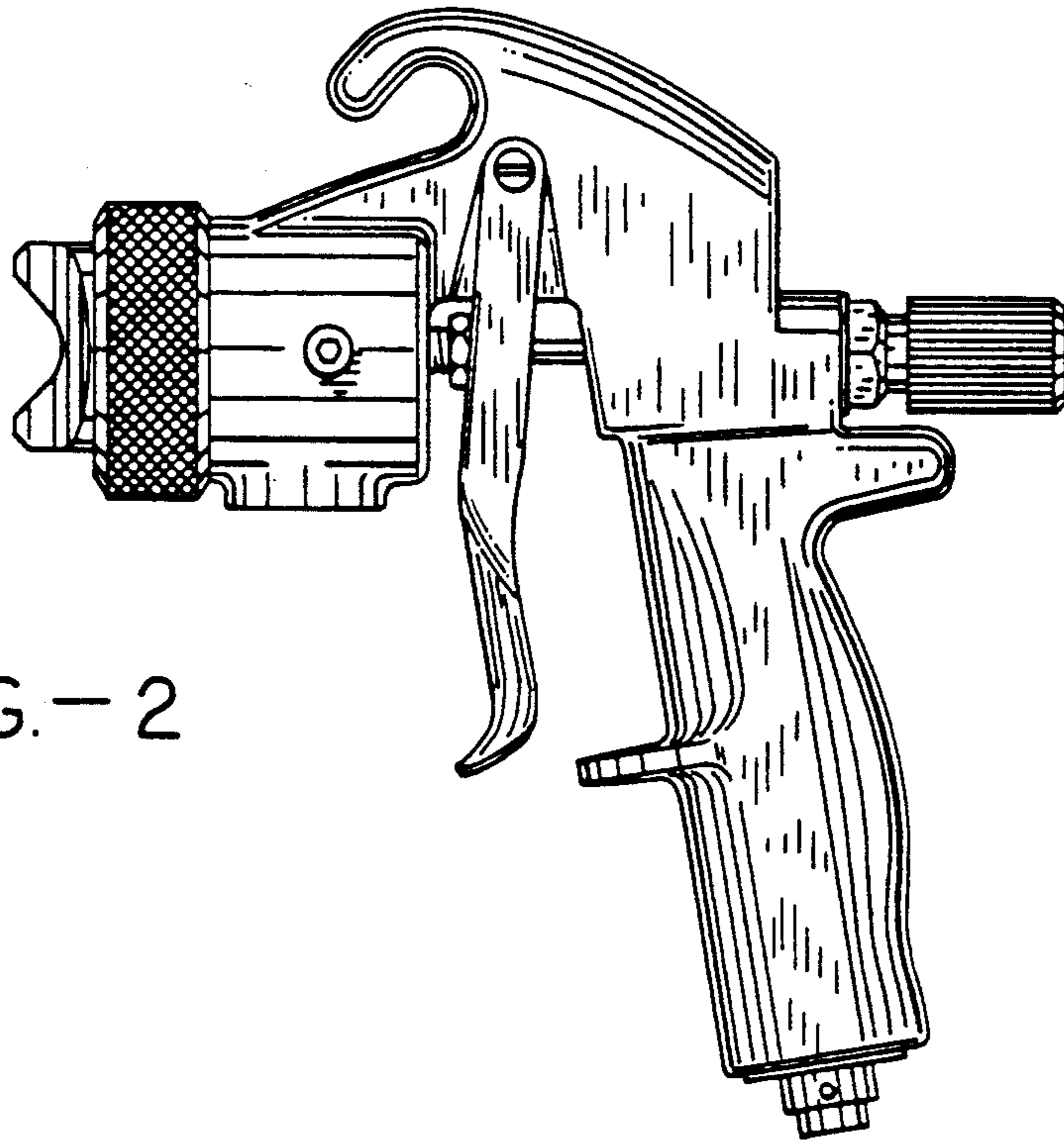


FIG. - 2

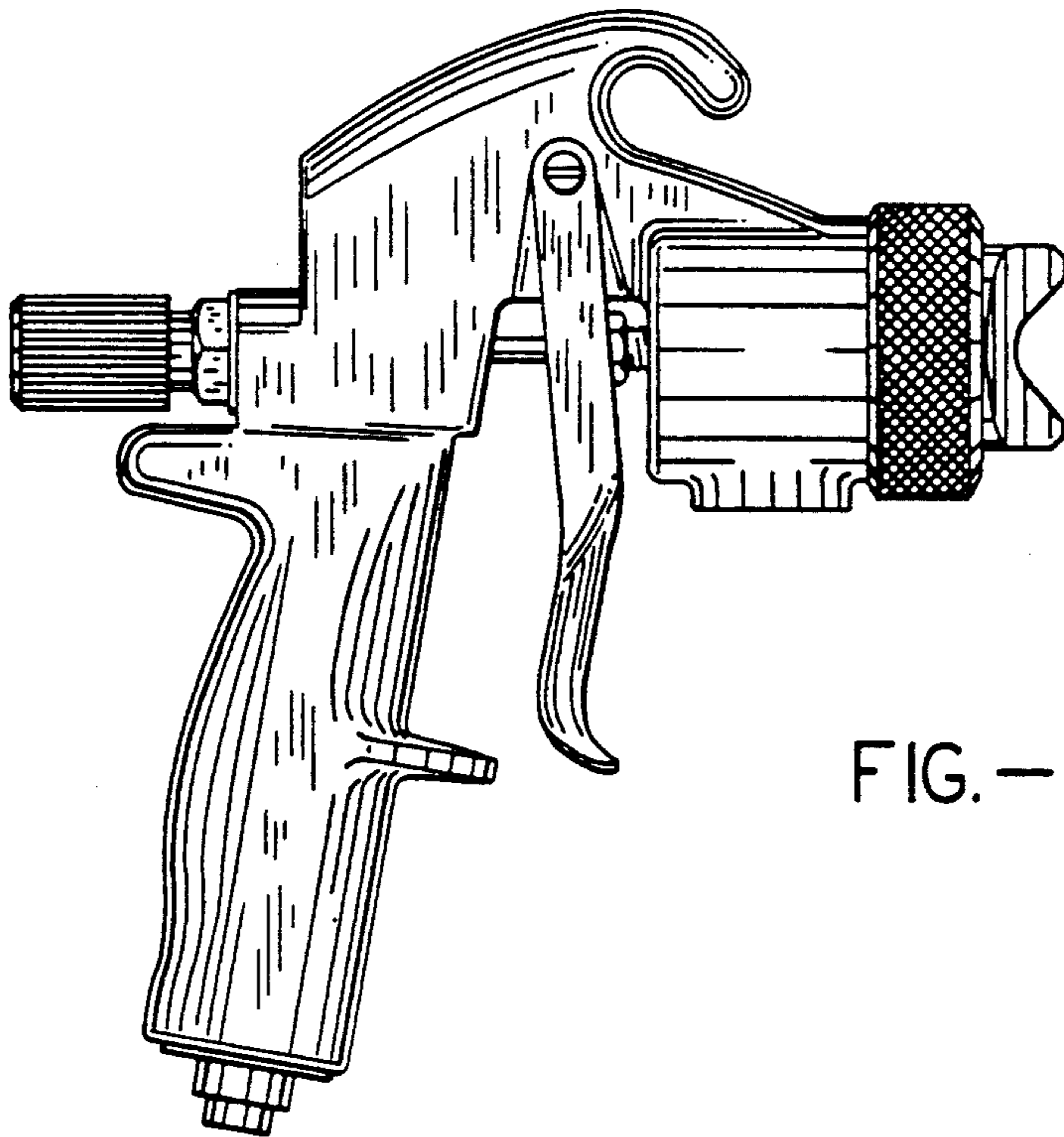


FIG. - 3

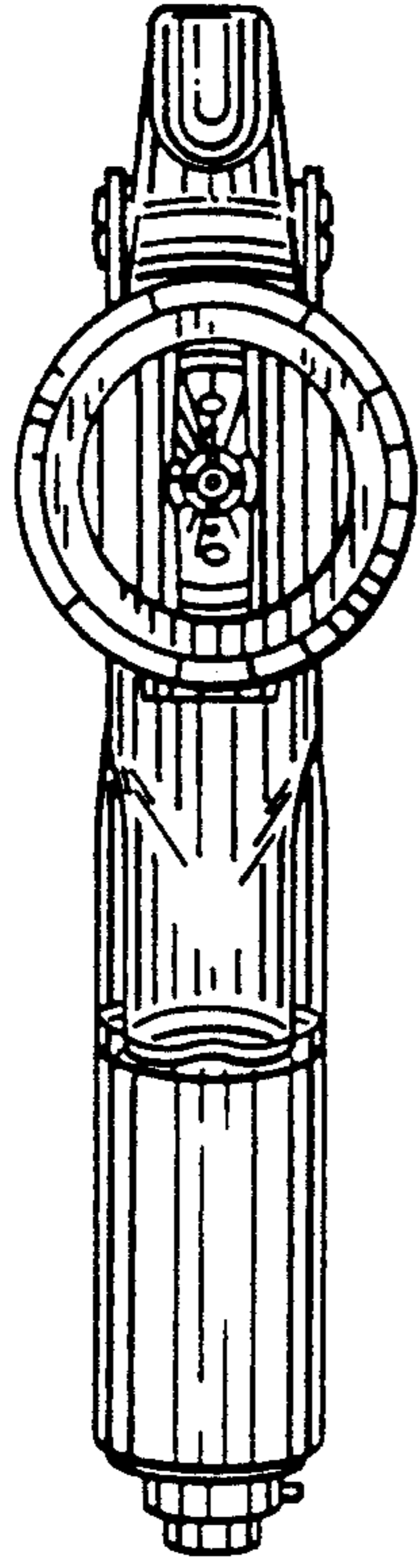


FIG. - 4

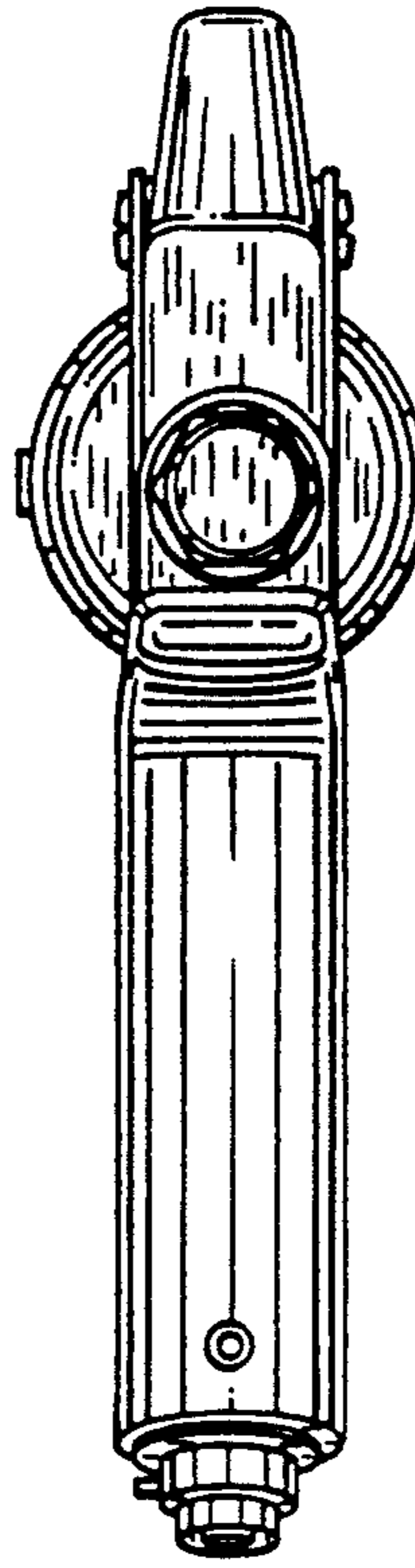


FIG. - 5

FIG. - 6

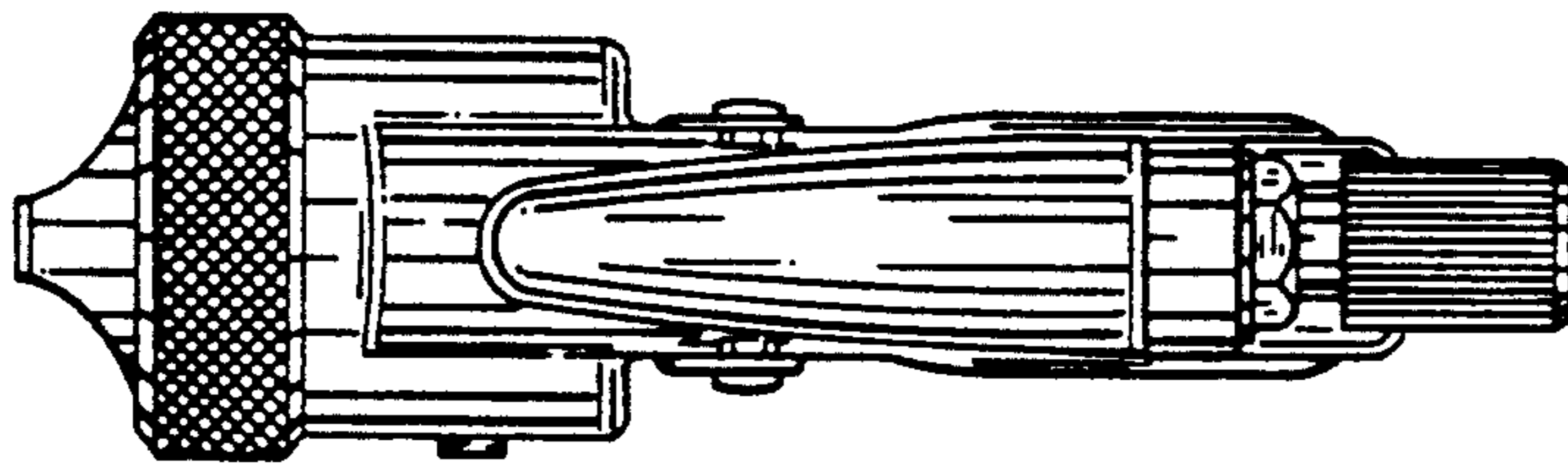
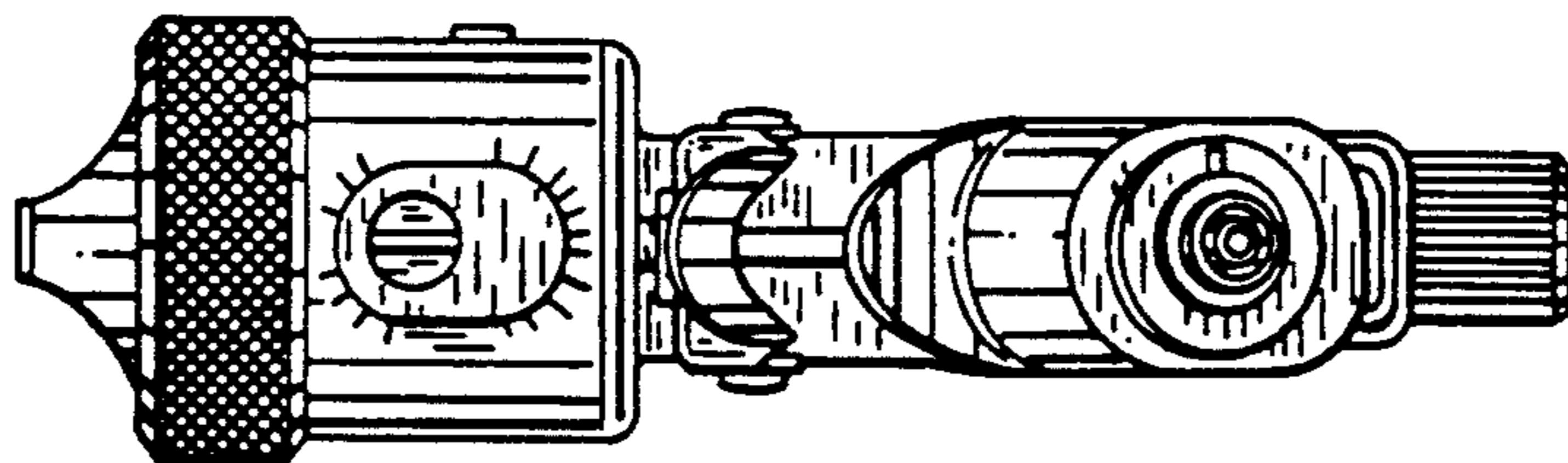


FIG. - 7



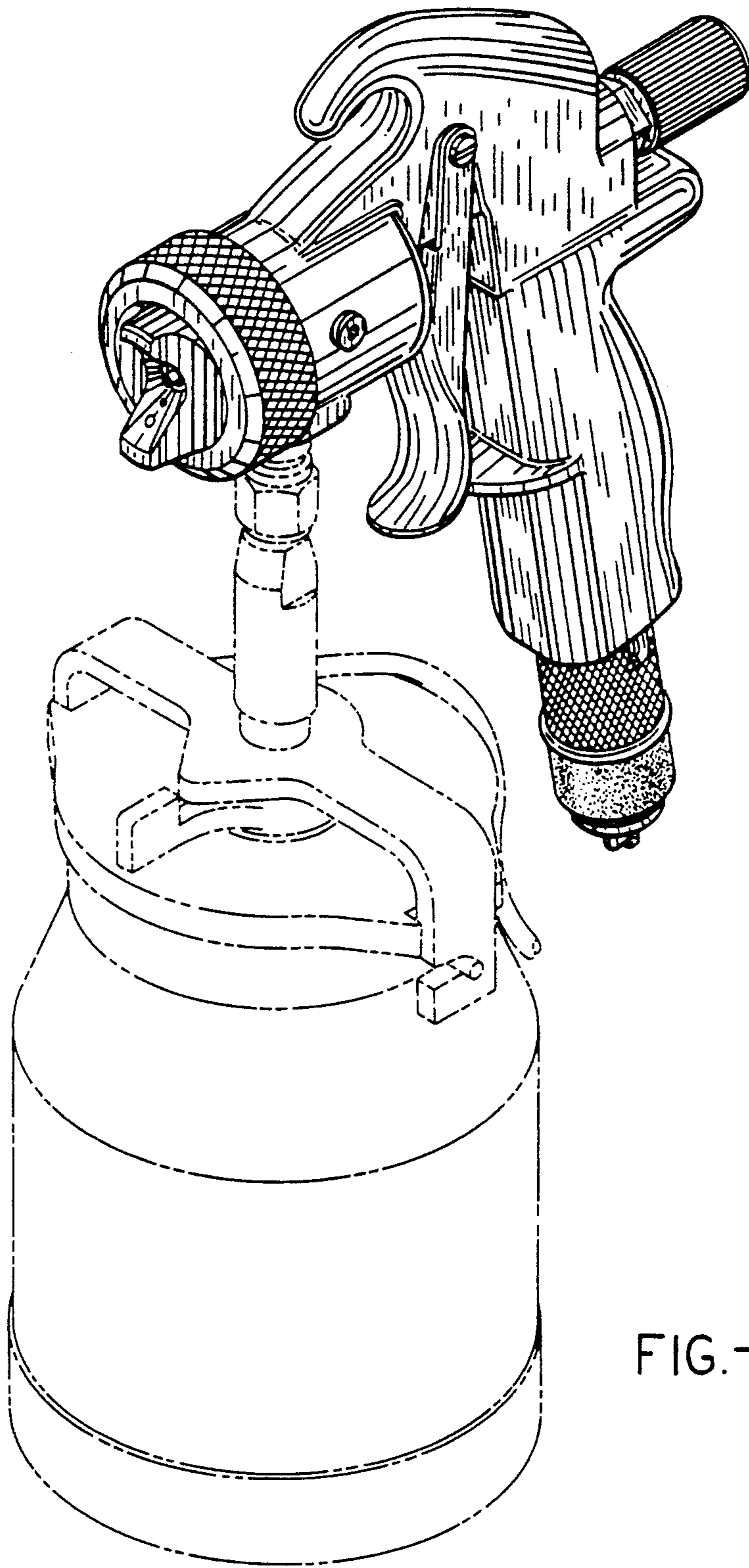


FIG. - 8

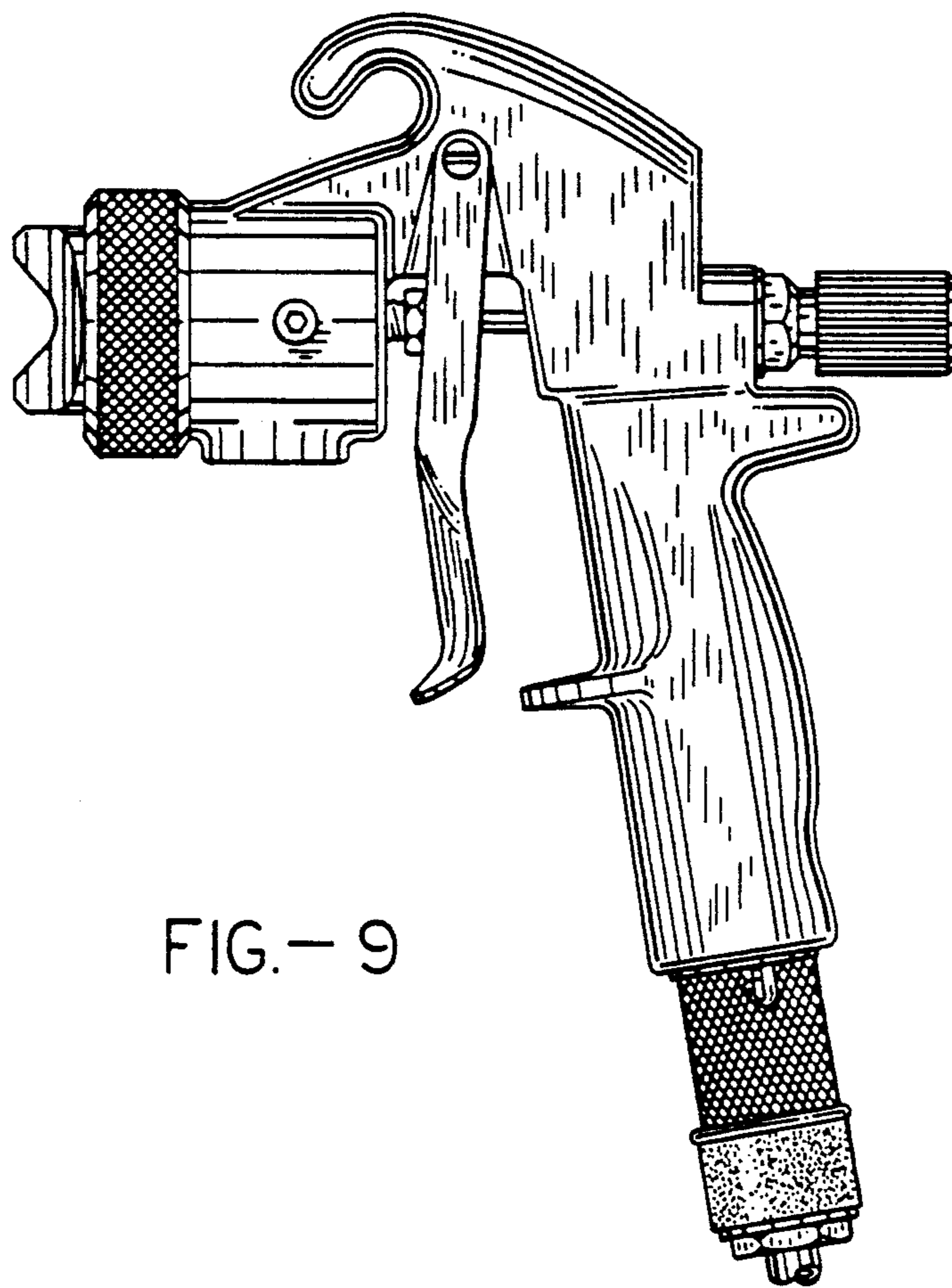


FIG. - 9

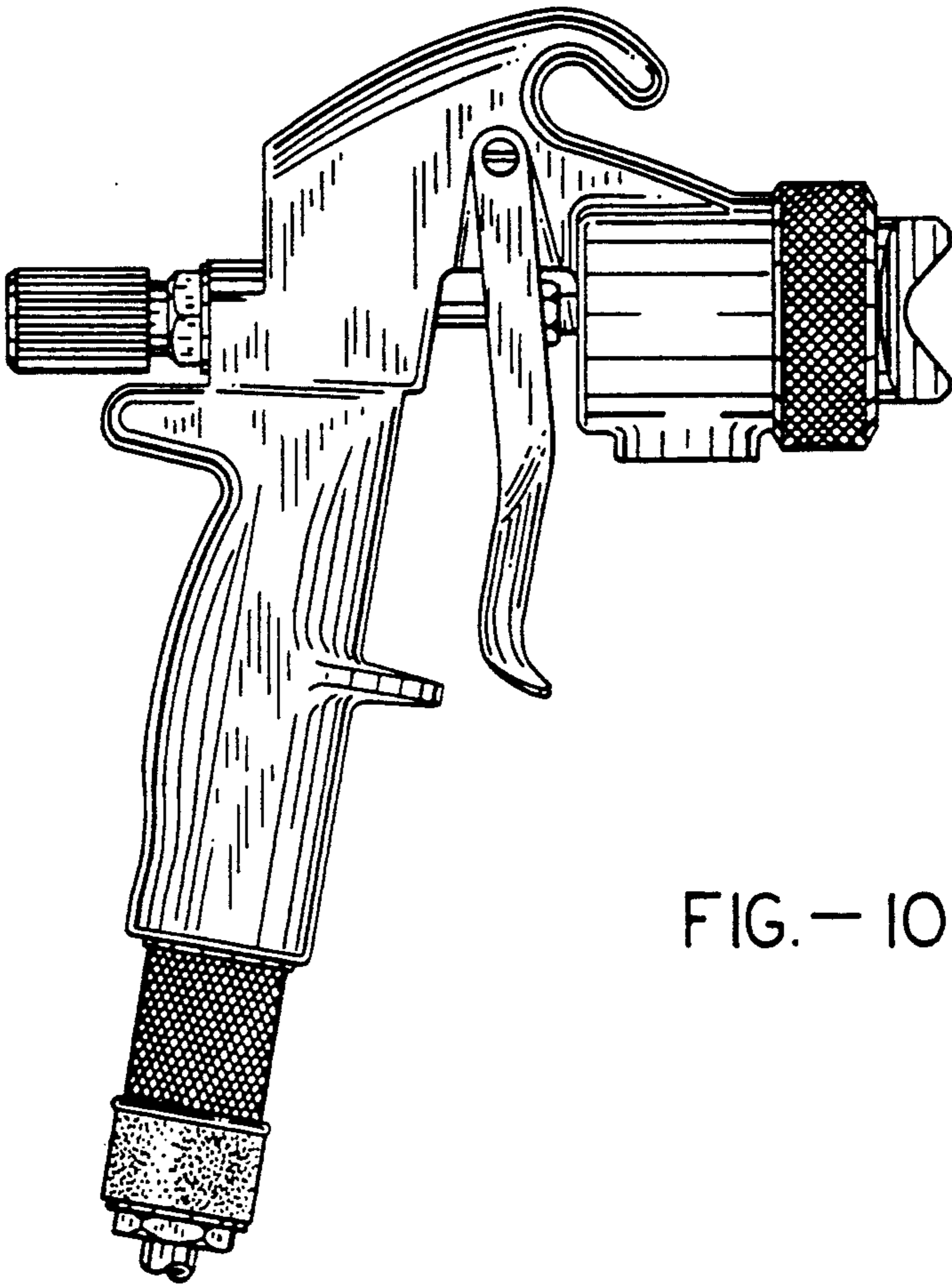


FIG.— 10

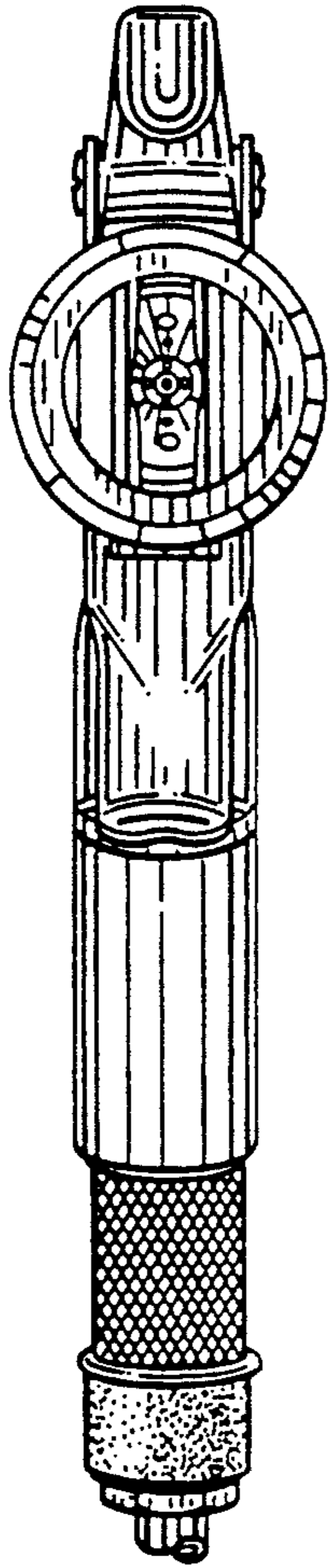


FIG.- II

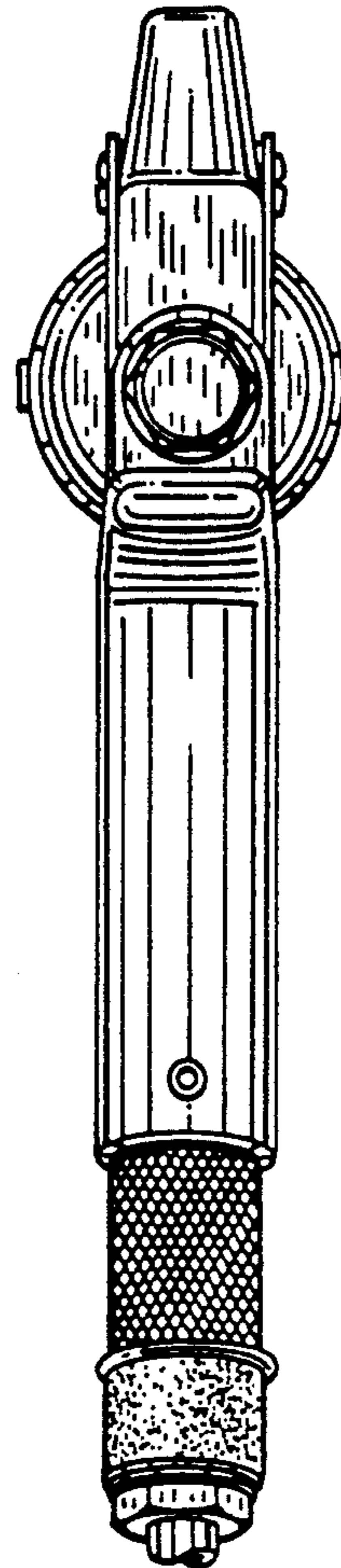


FIG.- I2

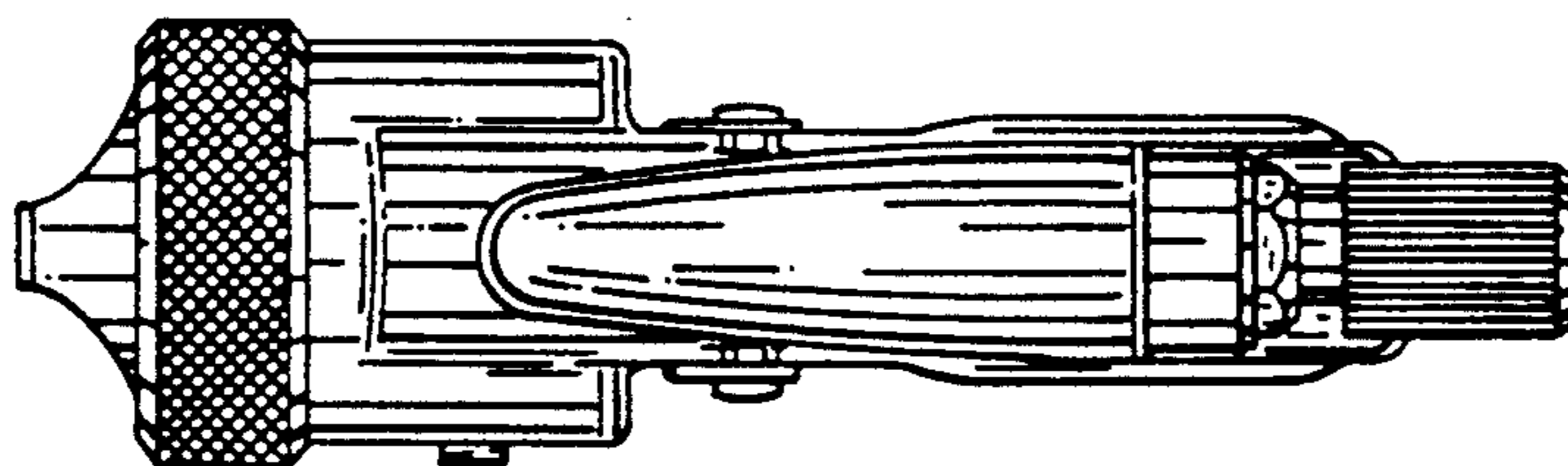


FIG. - 13

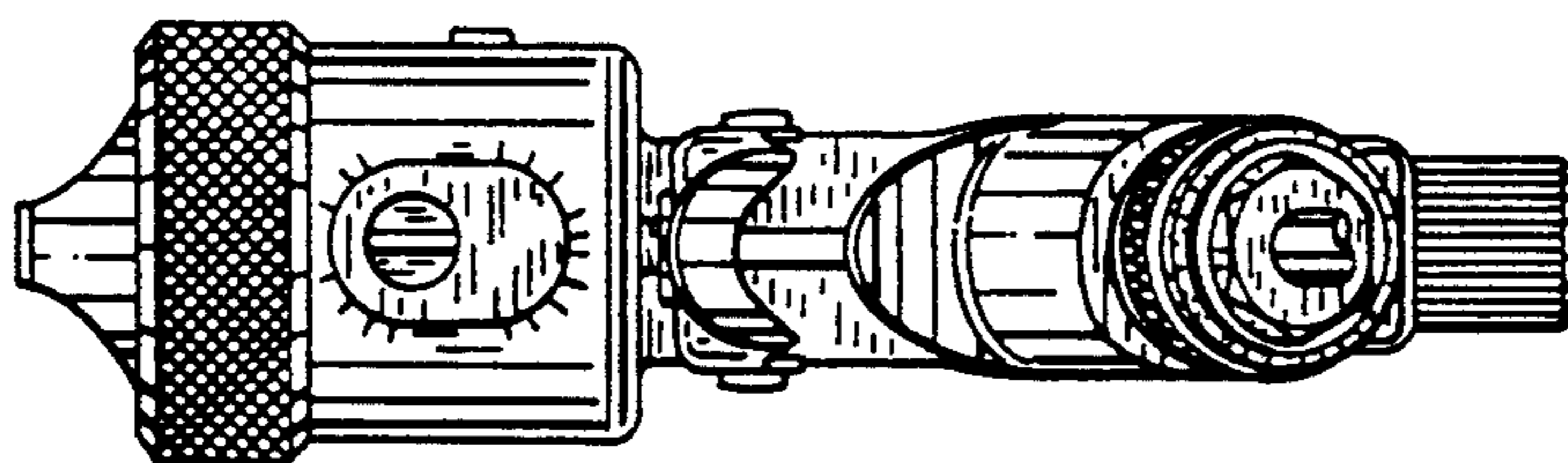


FIG. - 14