



US00D341184S

# United States Patent [19]

[11] Patent Number: **Des. 341,184**

Sperry

[45] Date of Patent: **\*\* Nov. 9, 1993**

[54] ICE FISHING ROD AND REEL SUPPORT

4,676,019	6/1987	Engles	43/21.2
4,694,603	9/1987	Anderson	43/21.2
4,763,435	8/1988	Deering	43/21.2
5,038,511	8/1991	Gessner	248/528 X

[76] Inventor: **Leo R. Sperry, 467 Cleveland Ave., Salt Lake City, Utah 84115**

[\*\*] Term: **14 Years**

*Primary Examiner*—A. Hugo Word  
*Assistant Examiner*—Doris V. Coles  
*Attorney, Agent, or Firm*—Terry M. Gernstein

[21] Appl. No.: **731,722**

[57] **CLAIM**

[22] Filed: **Jul. 15, 1991**

[52] U.S. Cl. .... **D22/147**

[58] Field of Search ..... **D22/147; 43/17, 21.2; 248/511, 512, 514, 519, 520, 538, 541, 529, 528**

The ornamental design for an ice fishing rod and reel support, as shown and described.

**DESCRIPTION**

[56] **References Cited**

**U.S. PATENT DOCUMENTS**

D. 273,971	5/1984	Nelson et al.	D22/147
3,159,366	12/1964	Knight	43/21.2
3,903,633	9/1975	Hutcherson	43/21.2
3,945,143	3/1976	Schmitt	43/21.2
4,092,795	6/1978	Bryant	43/21.2
4,213,264	7/1980	Robinson, Jr.	43/17
4,637,156	1/1987	Simmons	43/21.2

FIG. 1 is a perspective view of the ice fishing rod and reel support embodying the design of the present invention;

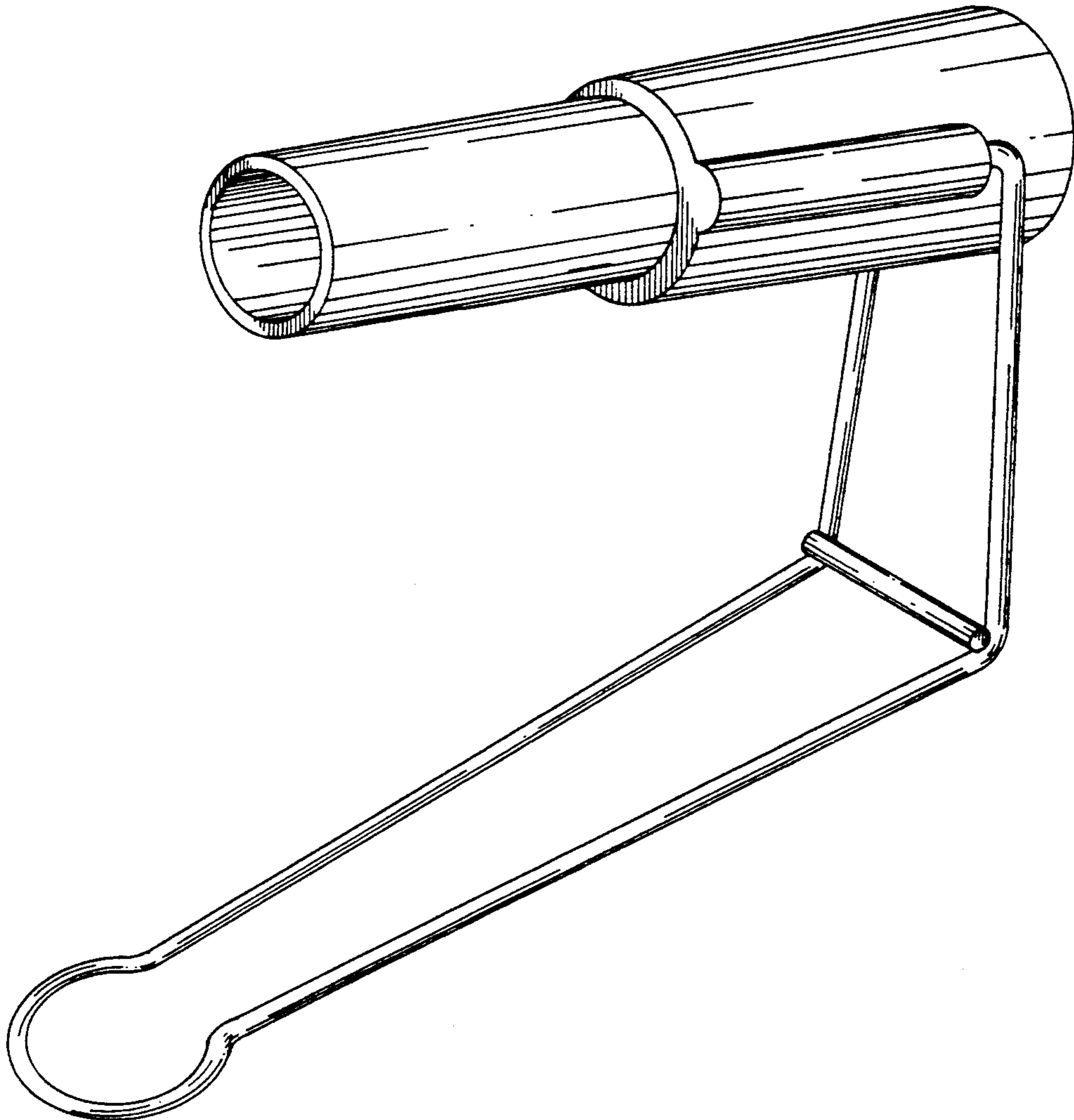
FIG. 2 is an end front elevational view thereof;

FIG. 3 is a rear end elevational view thereof;

FIG. 4 is a side elevational view thereof, the side opposite being a mirror image of the side shown in FIG. 4;

FIG. 5 is a top plan view thereof; and,

FIG. 6 is a bottom view thereof.



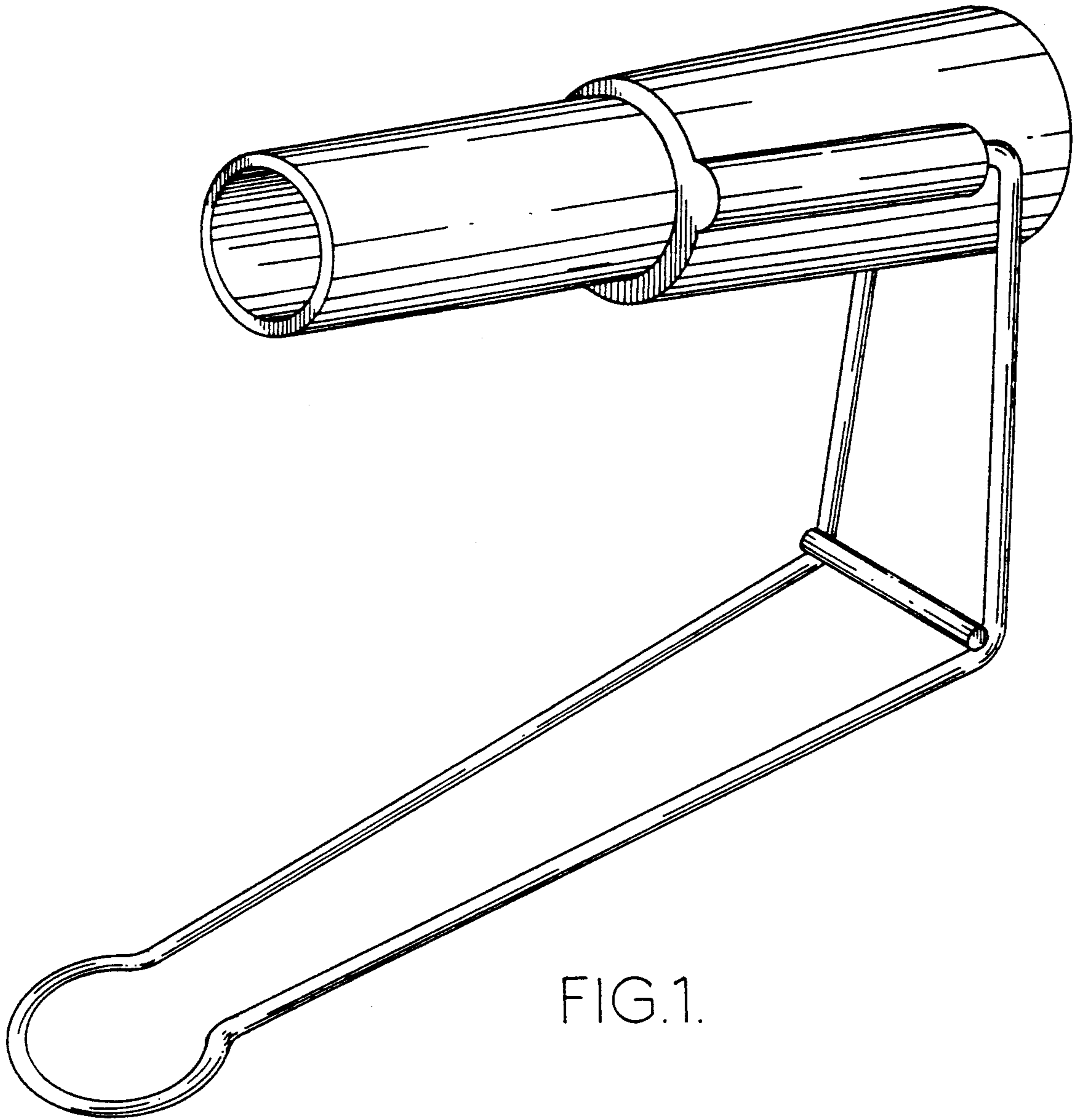


FIG. 1.

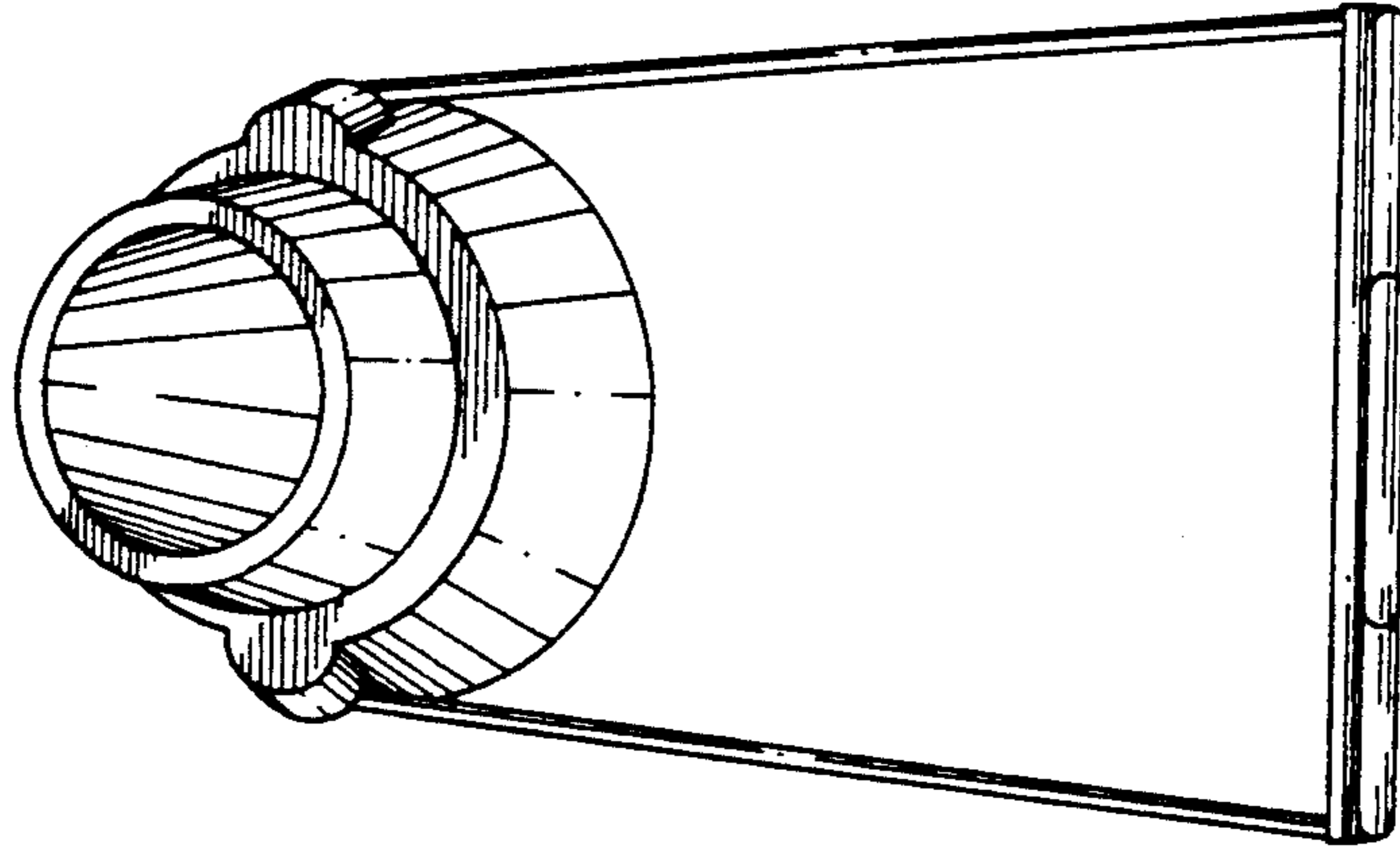


FIG. 2.

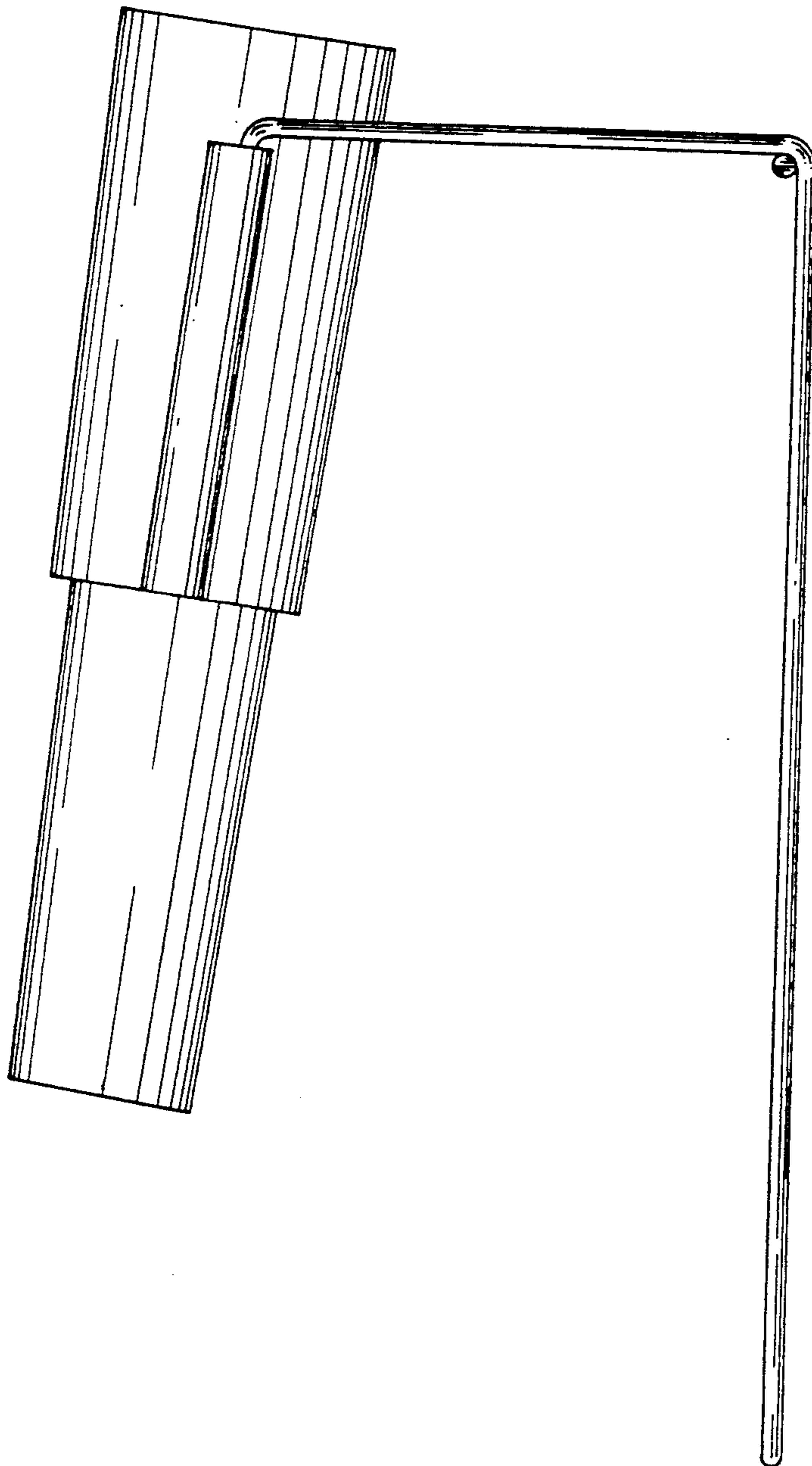


FIG. 4.

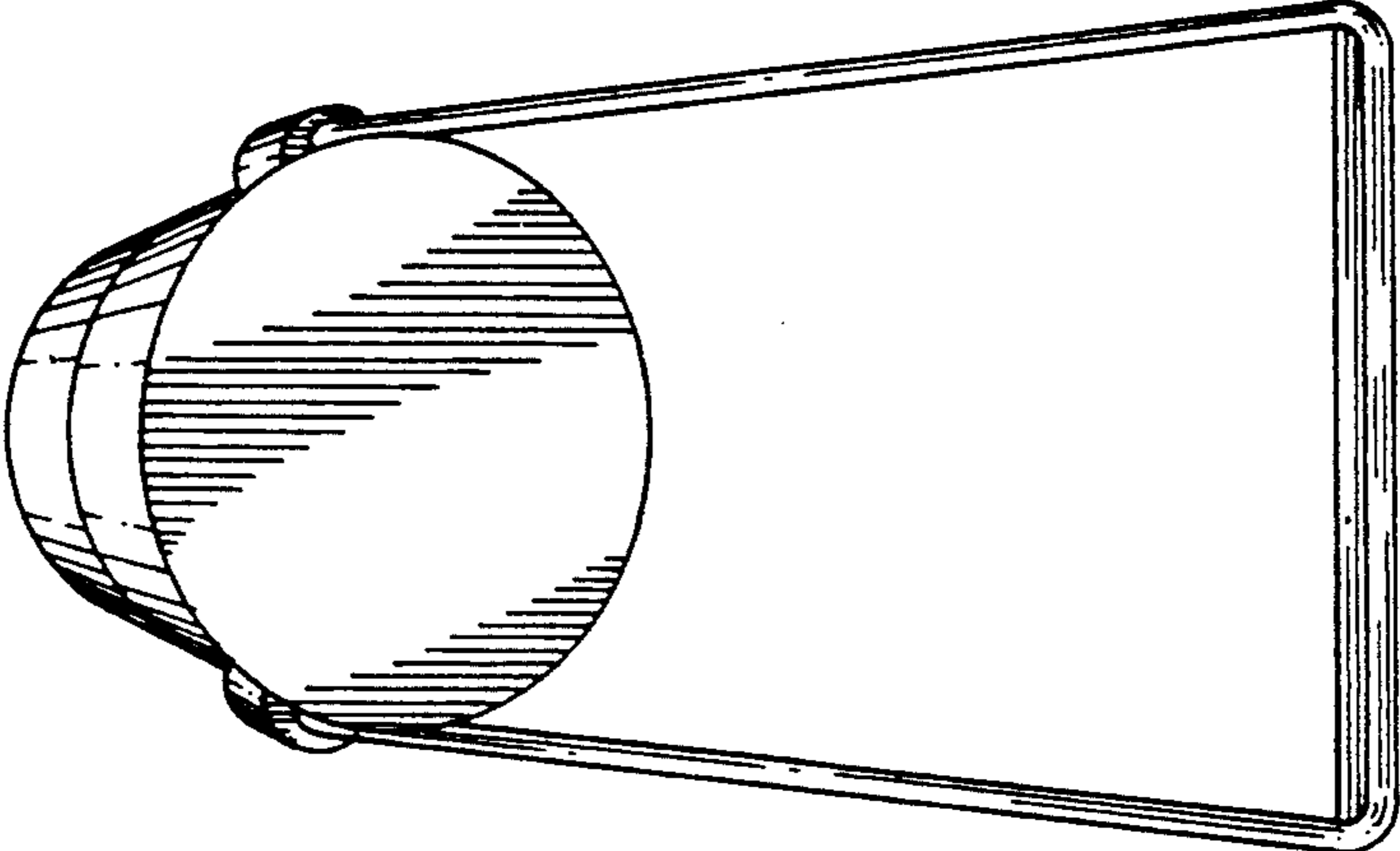


FIG. 3.

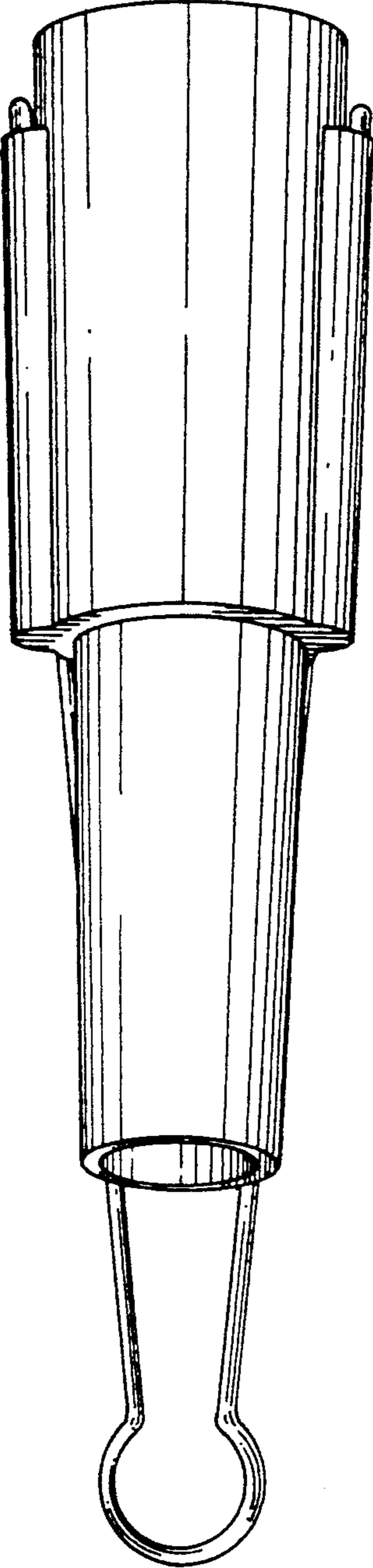


FIG. 5.

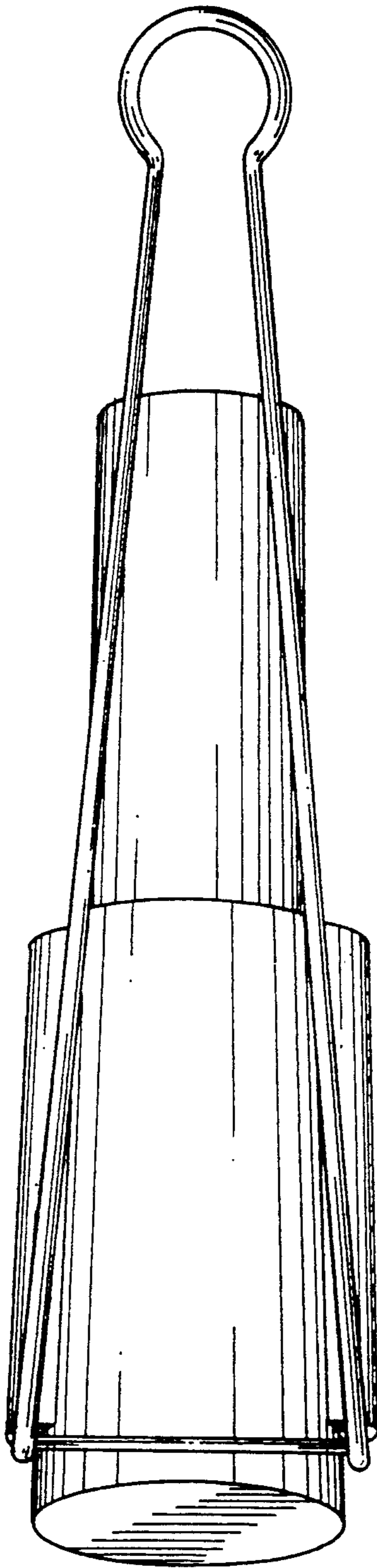


FIG. 6.