



US00D341180S

United States Patent [19]

Gridley

[11] Patent Number: **Des. 341,180**

[45] Date of Patent: **** Nov. 9, 1993**

[54] **THROWING WEAPON**

4,543,721 10/1985 Smith D22/117 X
4,765,628 8/1988 Jensen 273/425

[76] Inventor: **Lance E. Gridley**, 13473 W. Oregon Ct., Lakewood, Colo. 80228

Primary Examiner—A. Hugo Word
Assistant Examiner—Doris V. Coles
Attorney, Agent, or Firm—Charles C. Corbin

[**] Term: **14 Years**

[21] Appl. No.: **687,417**

[57] **CLAIM**

[22] Filed: **Mar. 18, 1991**

The ornamental design for a throwing weapon, as shown and described.

[52] U.S. Cl. **D22/117**

[58] Field of Search D22/117, 199; 273/425, 273/426, 427, 84 R, 84 ES; 30/151, 169; D21/255, 202; D8/390; 135/118

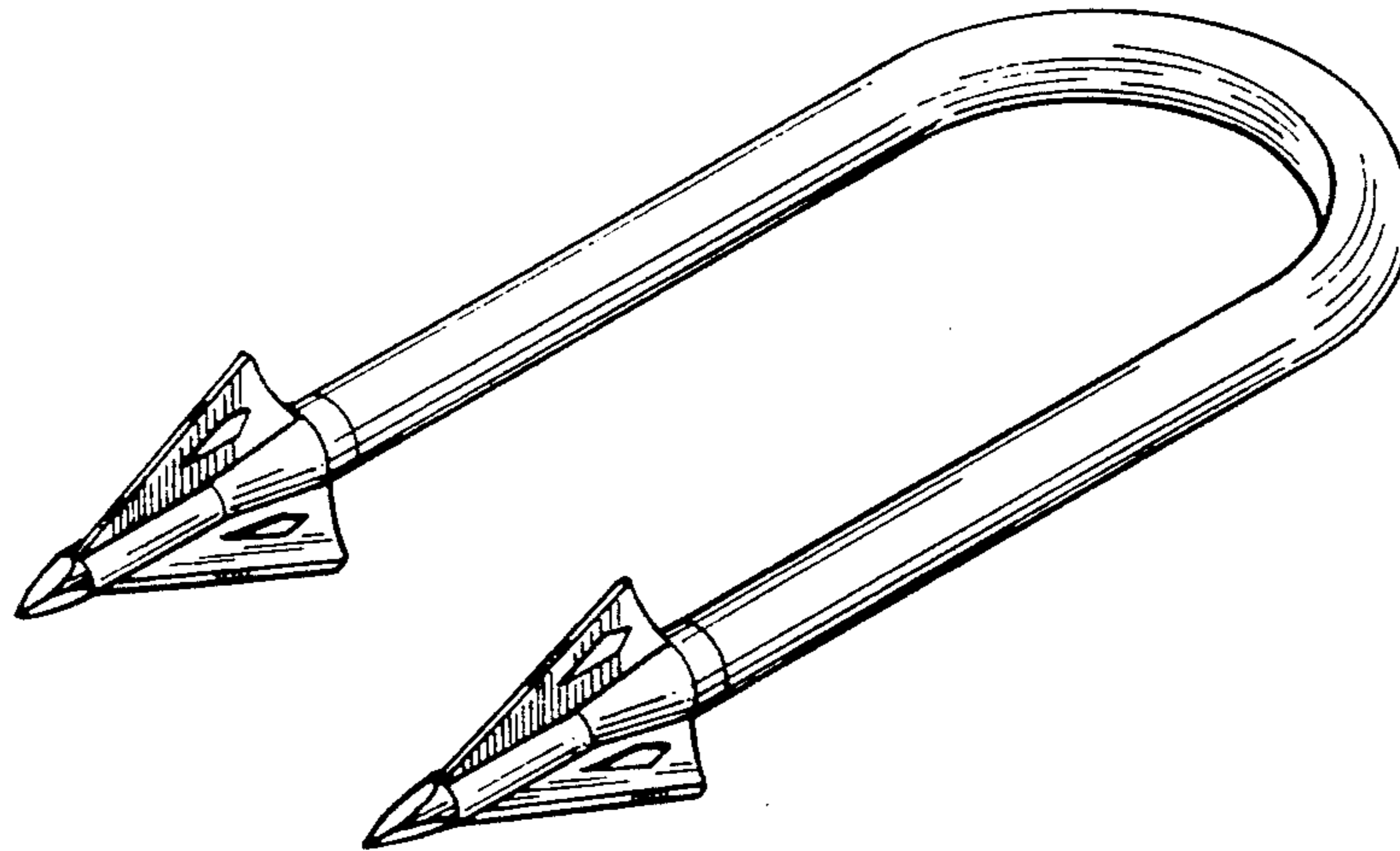
DESCRIPTION

[56] **References Cited**

U.S. PATENT DOCUMENTS

D. 298,916 12/1988 Beatty D8/390
2,506,815 5/1950 Shaffer 273/427 X
4,498,669 2/1985 Chun D22/117 X

FIG. 1 is a perspective view of a throwing weapon showing my new design;
FIG. 2 is a top plan view;
FIG. 3 is a bottom plan view;
FIG. 4 is a left side elevational view;
FIG. 5 is a right side elevational view;
FIG. 6 is a rear elevational view; and,
FIG. 7 is a front elevational view.



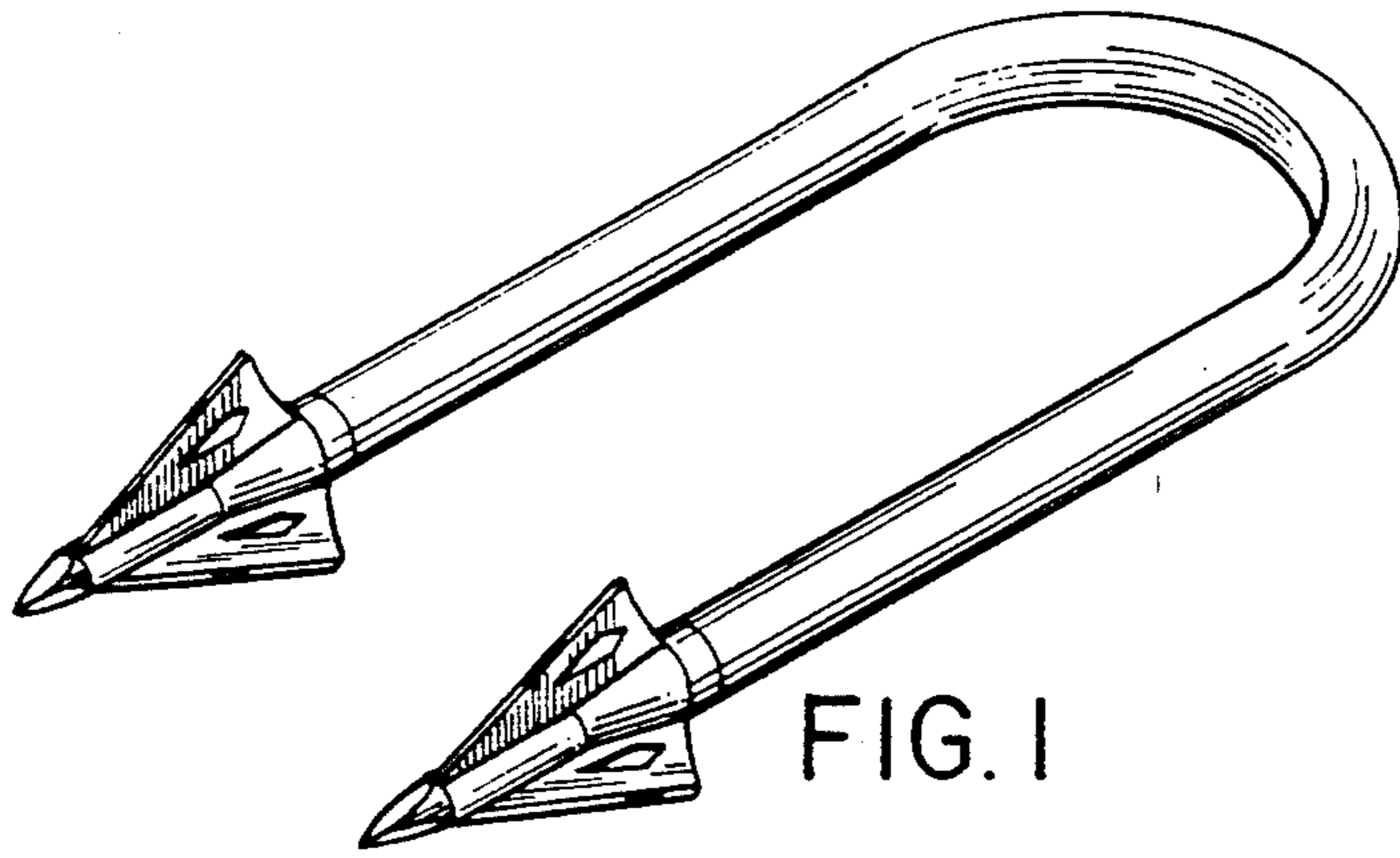


FIG. 1

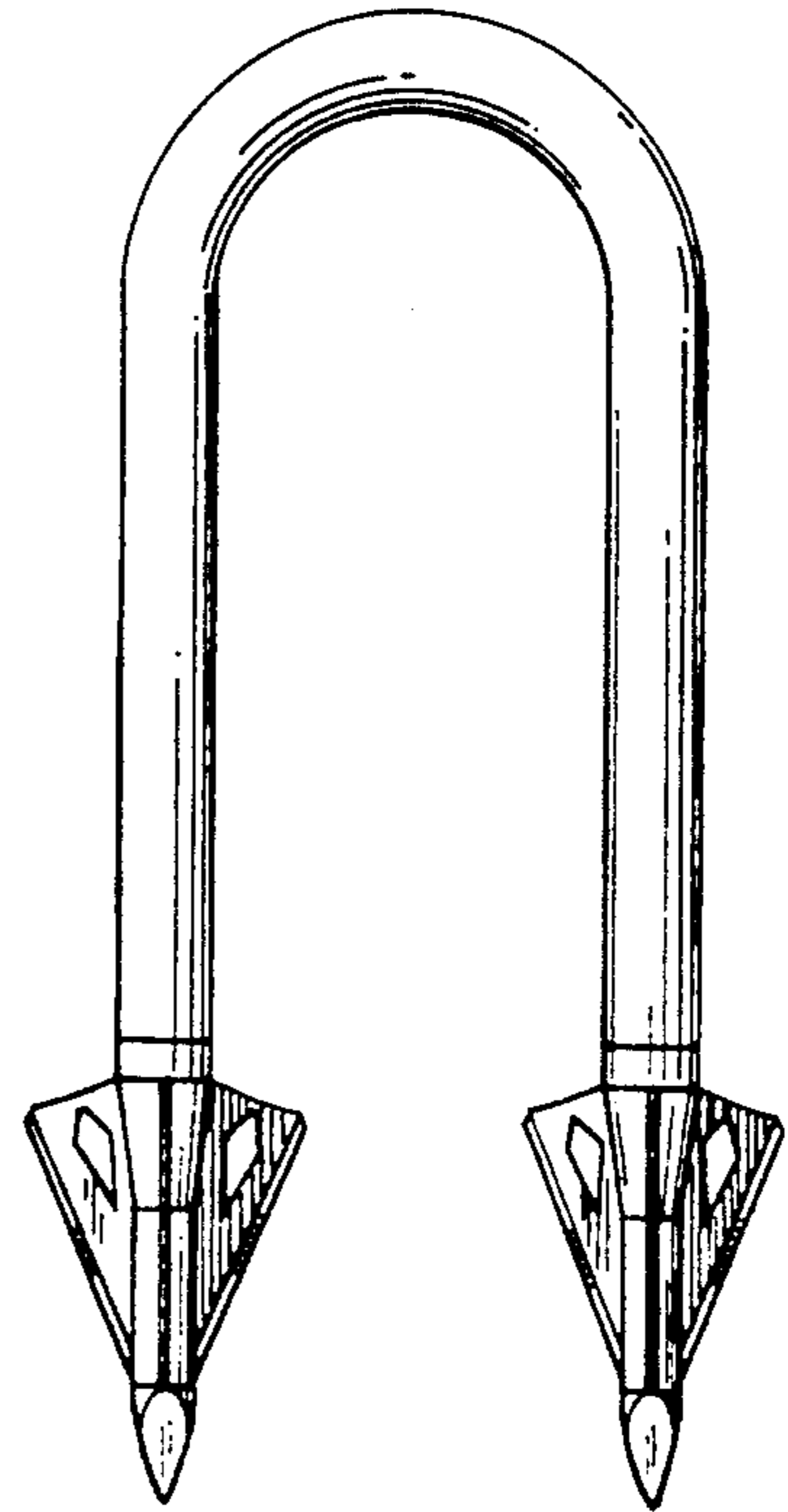


FIG. 2

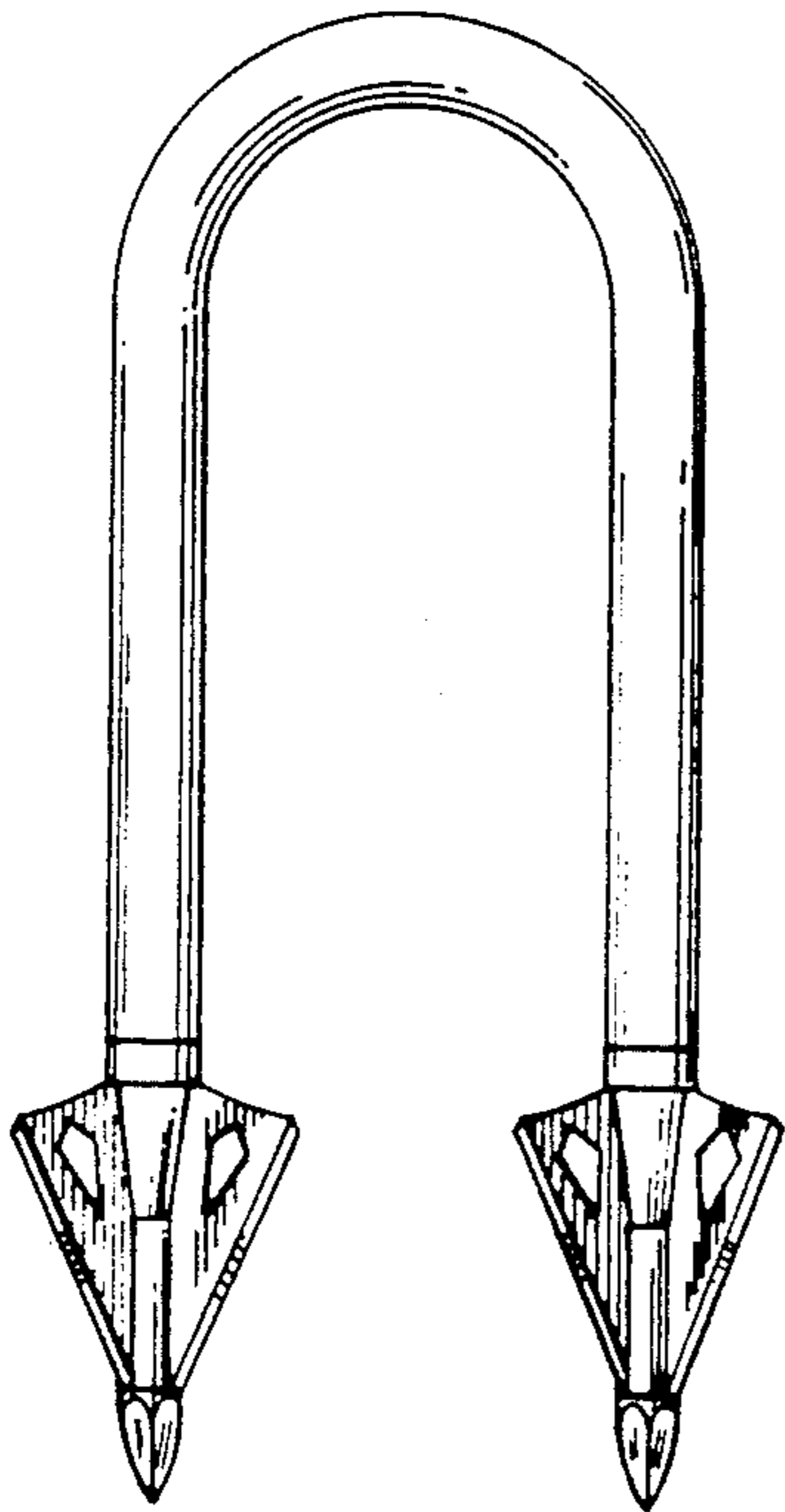


FIG. 3

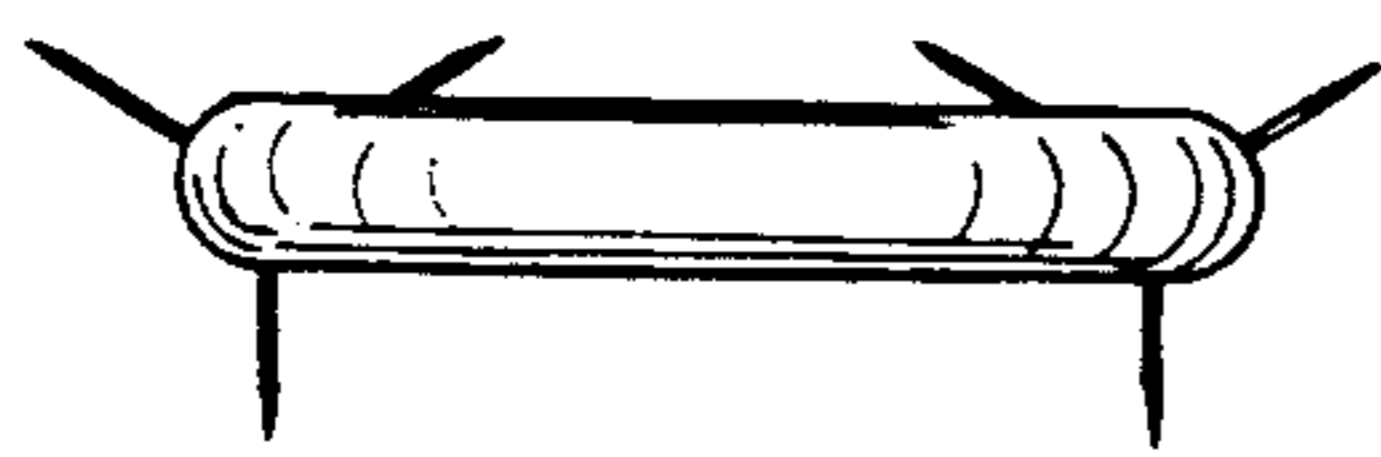


FIG. 6

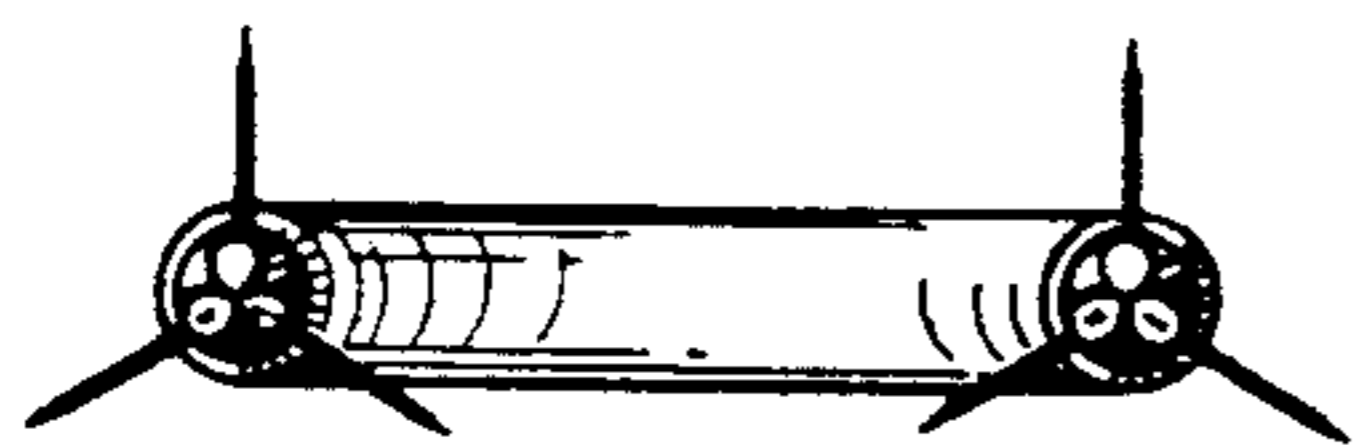


FIG. 7

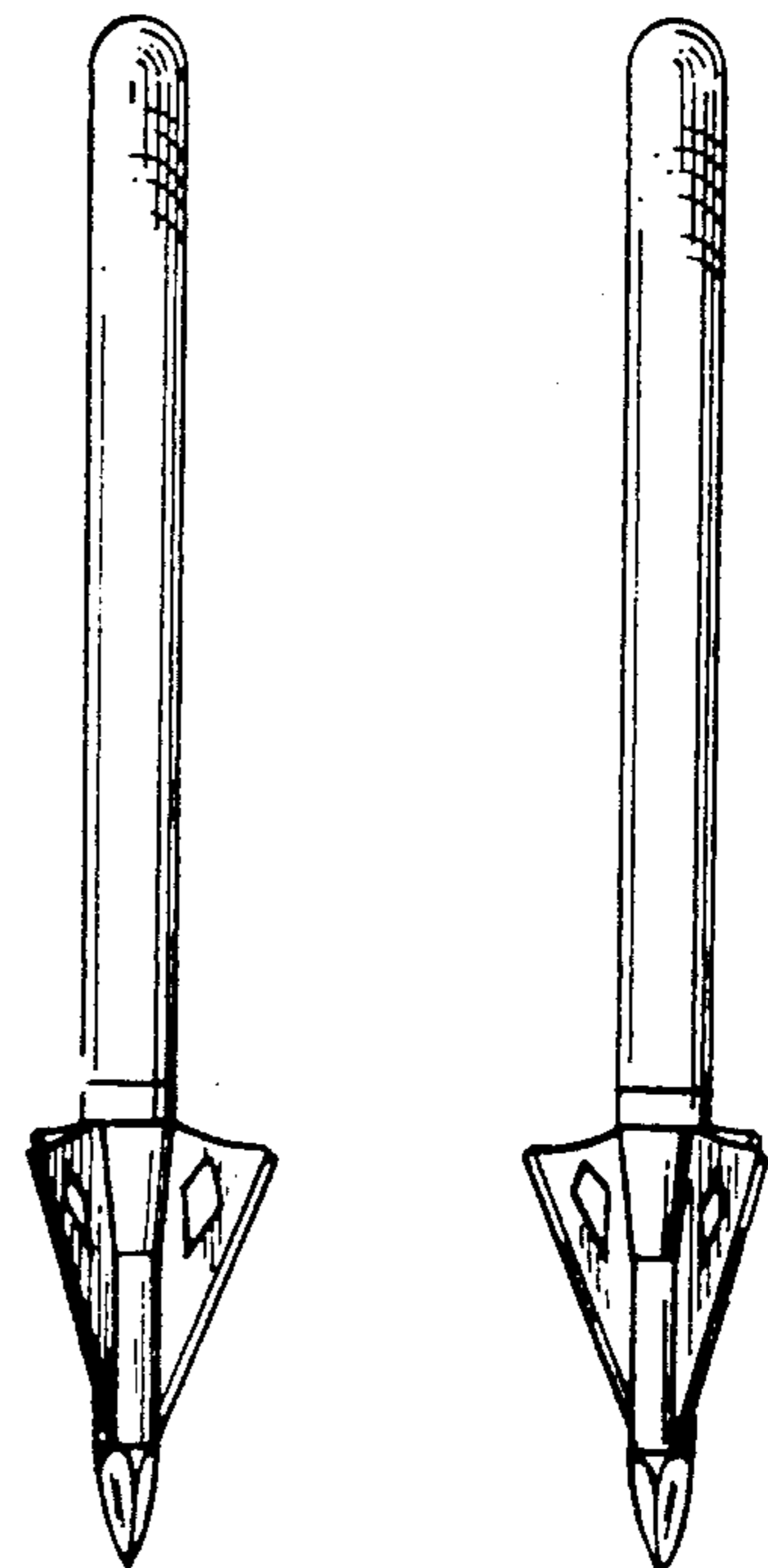


FIG. 4

FIG. 5