



US00D341174S

United States Patent [19]

[11] Patent Number: **Des. 341,174**

Salmon et al.

[45] Date of Patent: **** Nov. 9, 1993**

[54] WATER GUN

D. 265,221	6/1982	Hardin	D21/147
D. 318,309	7/1991	D'Andrade	D21/147
5,074,437	12/1991	D'Andrade	222/79

[76] Inventors: **Robert W. Salmon**, 180 Woodward Ave., Rutherford, N.J. 07070; **Bruce M. D'Andrade**, 3 Ten Eyck Rd., Whitehouse Sta., N.J. 08889

Primary Examiner—Bernard Ansher
Assistant Examiner—R. Barkai
Attorney, Agent, or Firm—Kenneth P. Glynn

[**] Term: **14 Years**

[57] **CLAIM**

[21] Appl. No.: **901,513**

The ornamental design for a water gun, as shown and described.

[22] Filed: **Jun. 19, 1992**

DESCRIPTION

[52] U.S. Cl. **D21/147**

[58] Field of Search D21/145, 146, 147;
D23/225; 446/267, 473; 222/78, 79; 239/211,
329, 337, 373

FIG. 1 is a front elevational view of a water gun showing our new design;
FIG. 2 is a rear elevational view thereof;
FIG. 3 is a left side elevational view thereof with the right side elevational view being a mirror image thereof;
FIG. 4 is a top plan view thereof; and,
FIG. 5 is a bottom plan view thereof.

[56] References Cited

U.S. PATENT DOCUMENTS

D. 260,793 9/1981 McAlpin D21/147

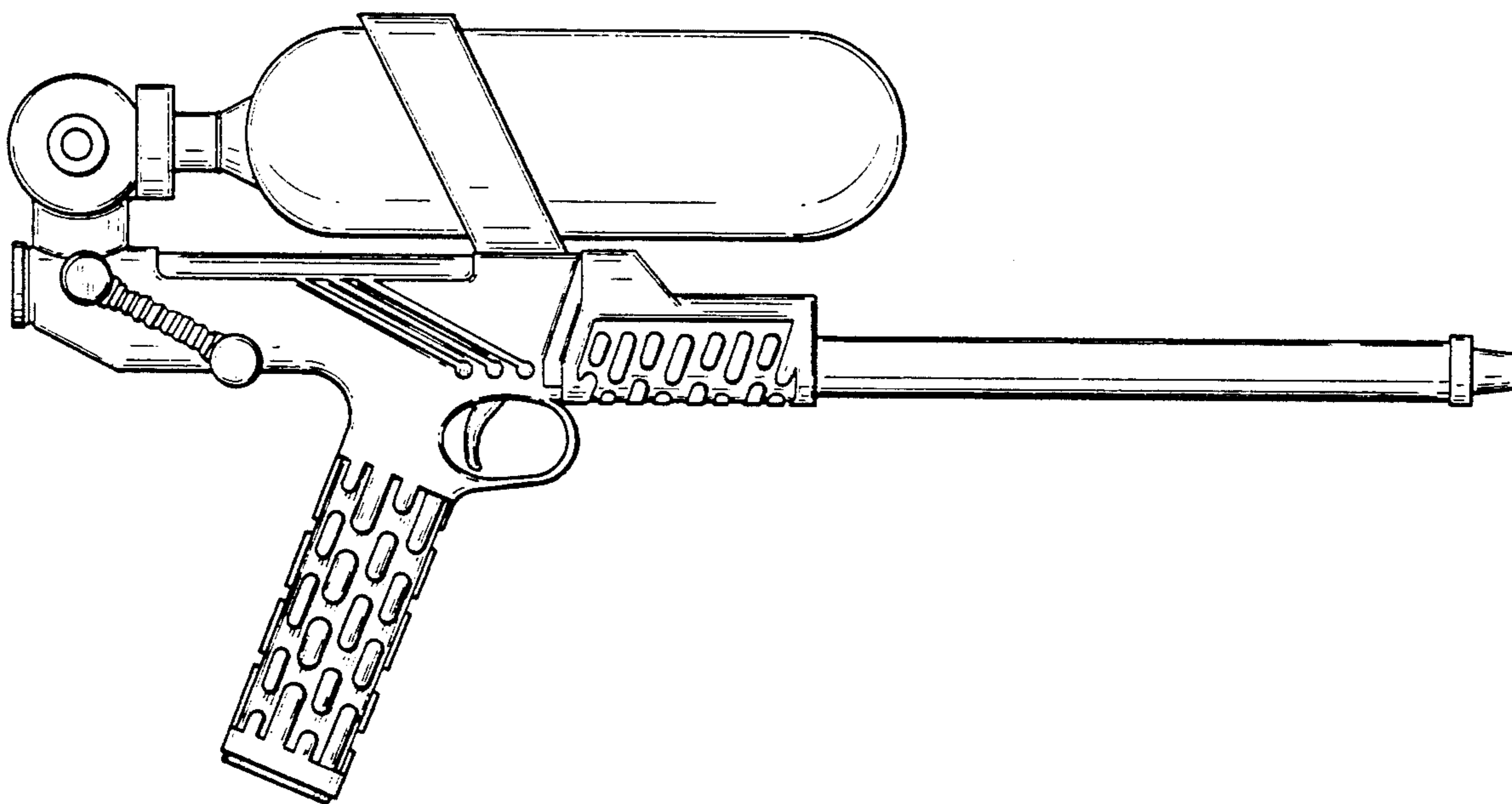


FIG-1

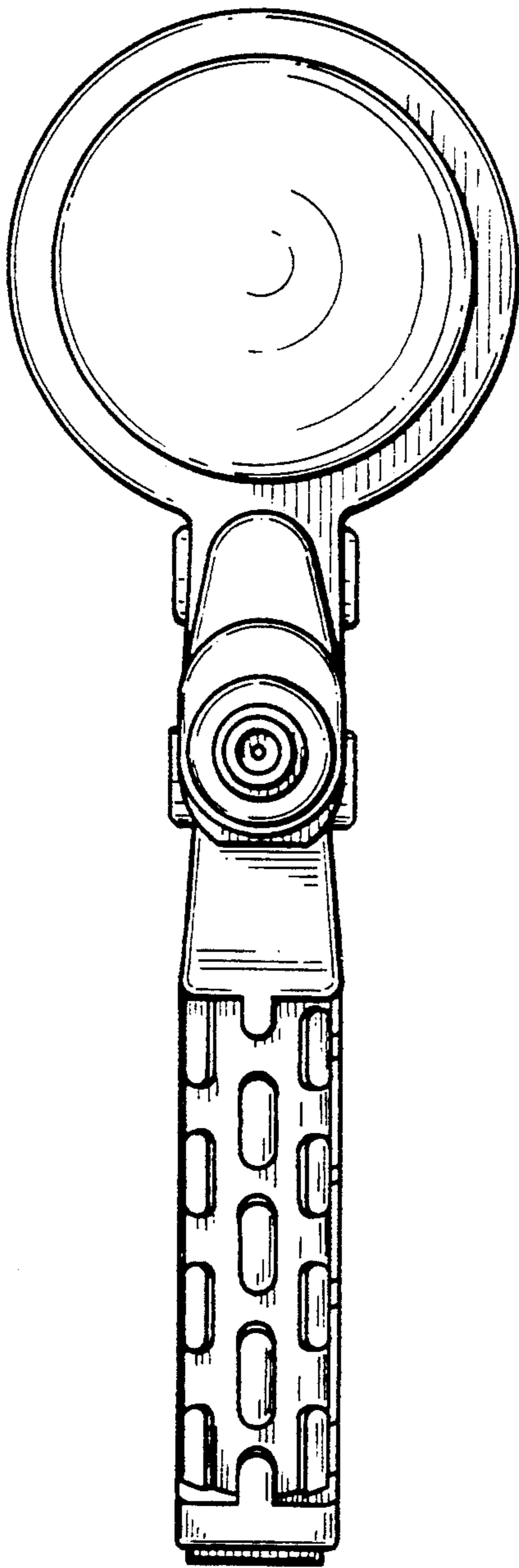


FIG-2

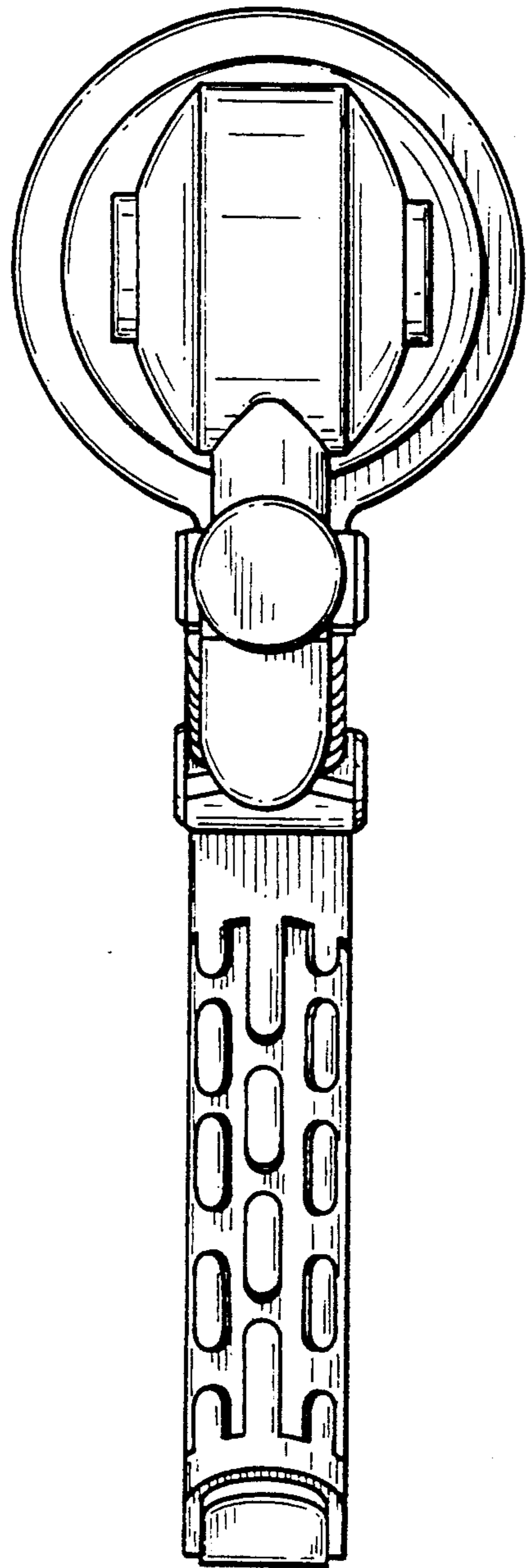
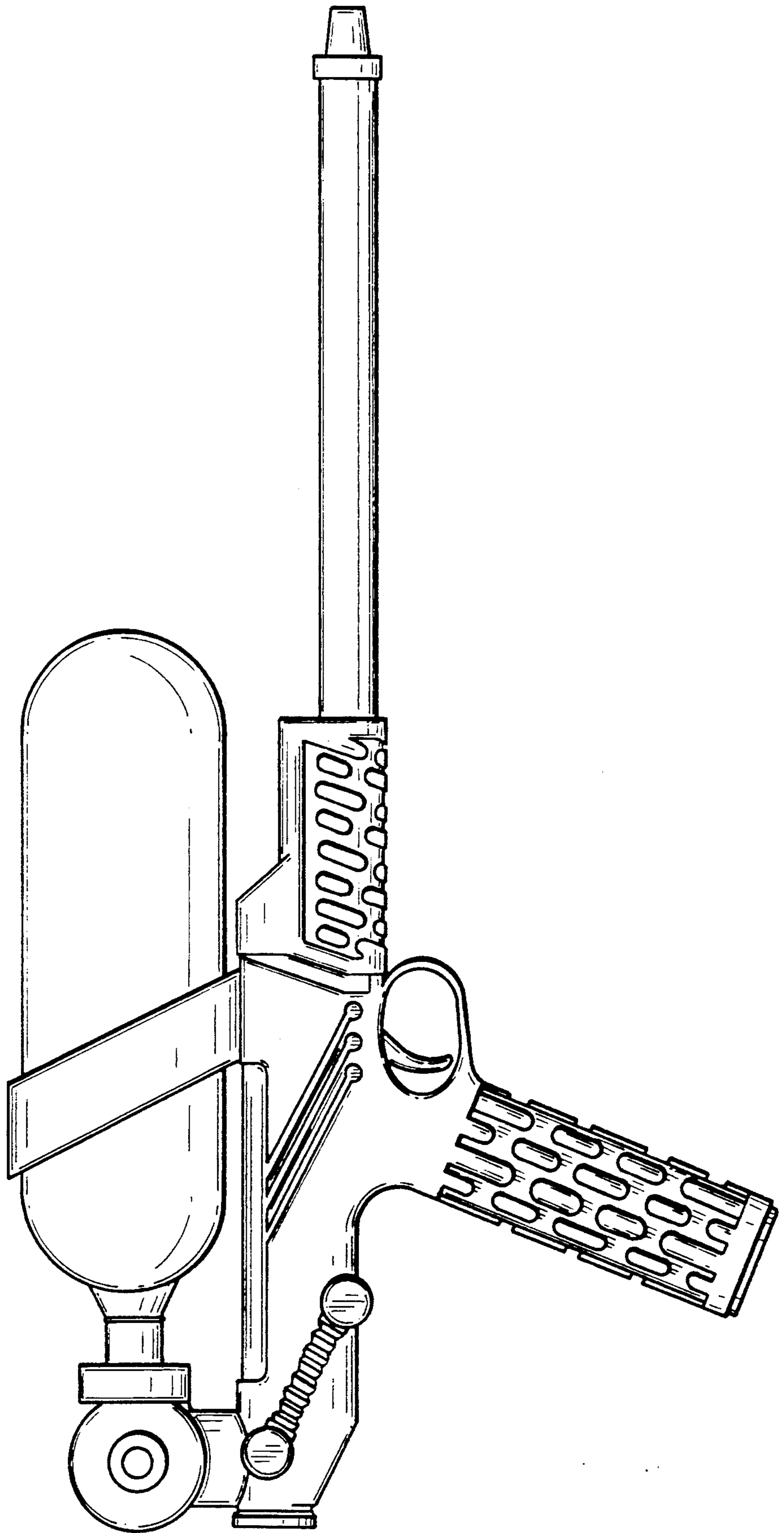


FIG-3



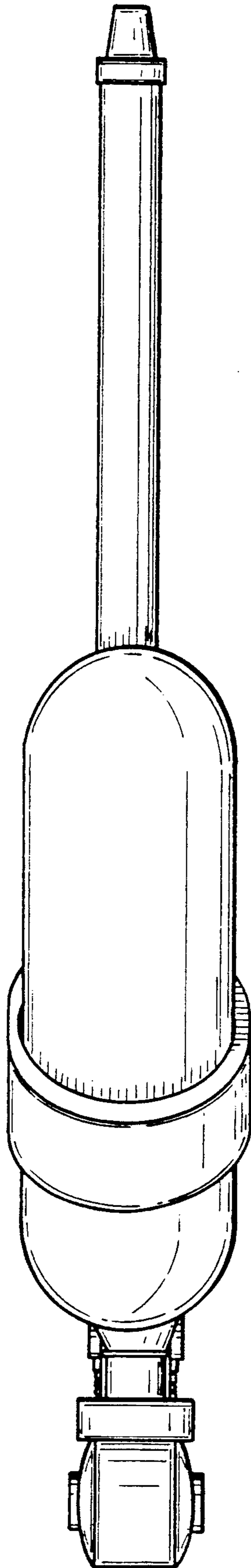


FIG-4

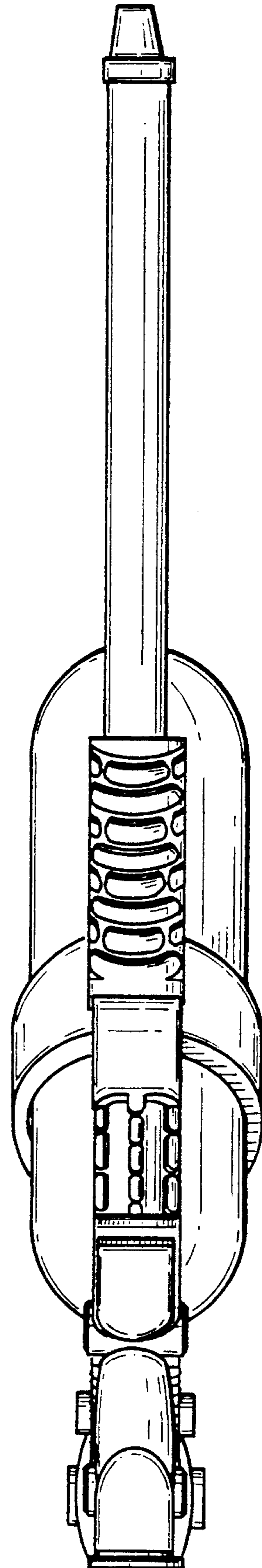


FIG-5