



US00D341173S

United States Patent [19]

[11] Patent Number: **Des. 341,173**

Peersmann

[45] Date of Patent: **** Nov. 9, 1993**

[54] **TOY TRAIN**

[75] Inventor: **Richard F. M. Peersmann, Et
Scheveningen, Netherlands**
[73] Assignee: **Pollyflame International B.V.,
Roelofarendsveen, Netherlands**

D. 299,366	1/1989	Arnold	D21/129
1,001,587	8/1911	Grant	104/DIG. 1
1,225,894	5/1917	Turner	446/467
1,303,117	5/1919	Roe	104/DIG. 1
1,321,109	11/1919	Lasares	104/DIG. 1
3,688,436	9/1972	Wakimura	446/447

[**] Term: **14 Years**

Primary Examiner—Bernard Ansher
Assistant Examiner—R. Barkai
Attorney, Agent, or Firm—Foley & Lardner

[21] Appl. No.: **638,556**

[22] Filed: **Jan. 9, 1991**

[57] **CLAIM**

[30] **Foreign Application Priority Data**

The ornamental design for a toy train, as shown and described.

Jan. 3, 1991 [WO] World Int. Prop. O. ... DM/018,505

[52] U.S. Cl. **D21/129**

[58] Field of Search D21/129, 143; D12/37;
446/90, 175, 227, 410, 447, 441, 455, 467;
104/118, 124, 125, DIG. 1; 105/141, 1.5, 29.2

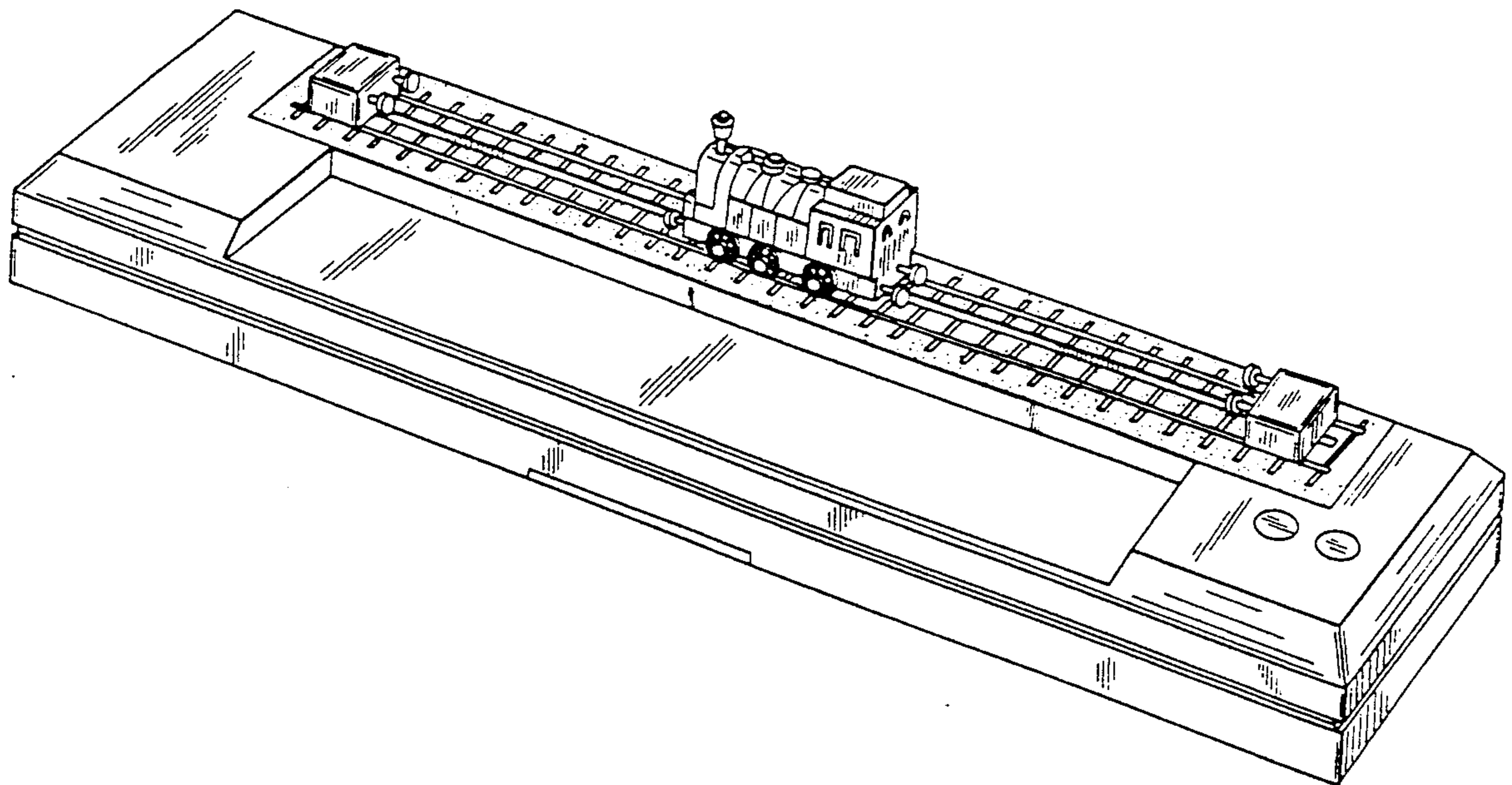
DESCRIPTION

FIG. 1 is a perspective view of a toy train showing my new design;
FIG. 2 is a front elevational view thereof;
FIG. 3 is a rear elevational view thereof;
FIG. 4 is a top plan view thereof;
FIG. 5 is a bottom plan view thereof;
FIG. 6 is a right side elevational view thereof; and,
FIG. 7 is a left side elevational view thereof.

[56] **References Cited**

U.S. PATENT DOCUMENTS

Re. 18,981 10/1933 Boisselier 104/DIG. 1
D. 240,544 7/1976 Howard D21/129



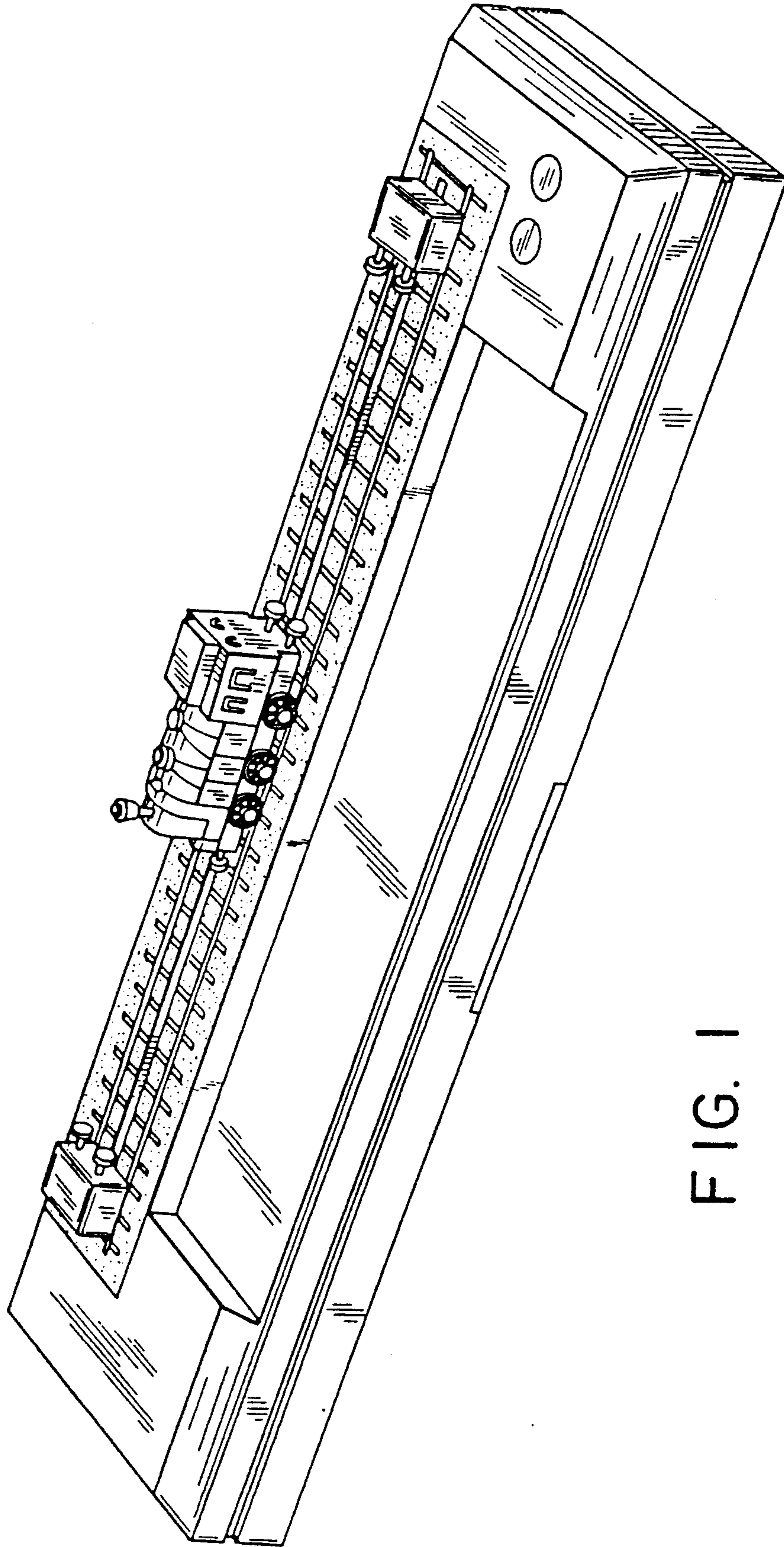


FIG. 1

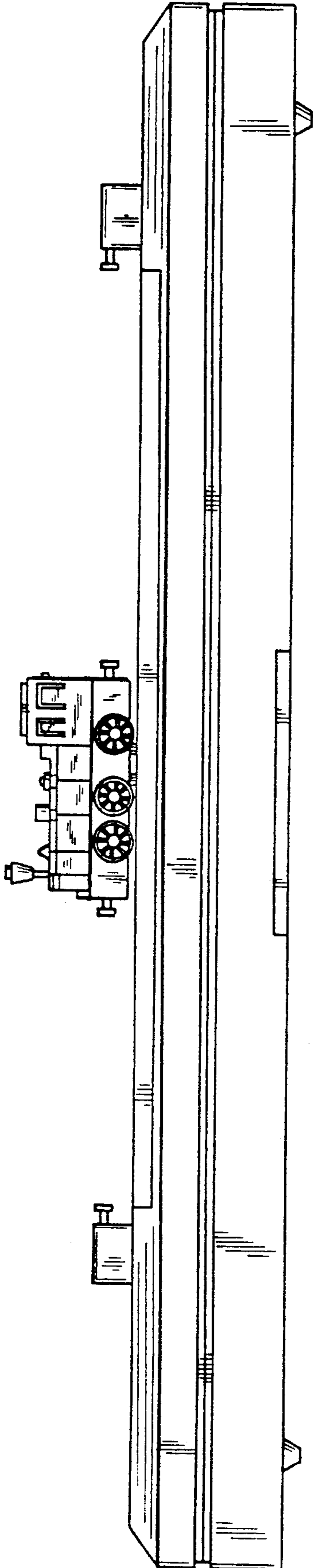


FIG. 2

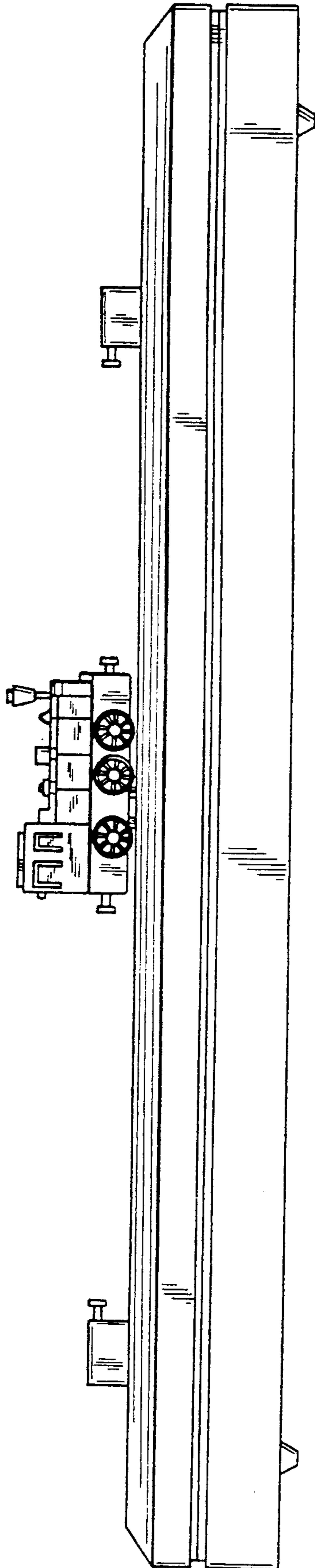


FIG. 3

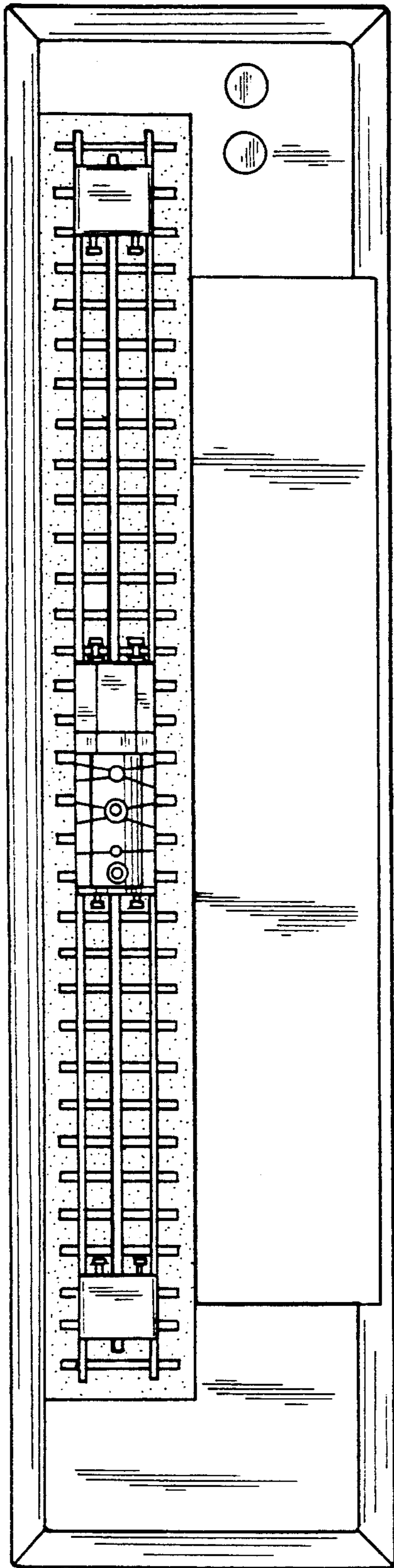


FIG. 4

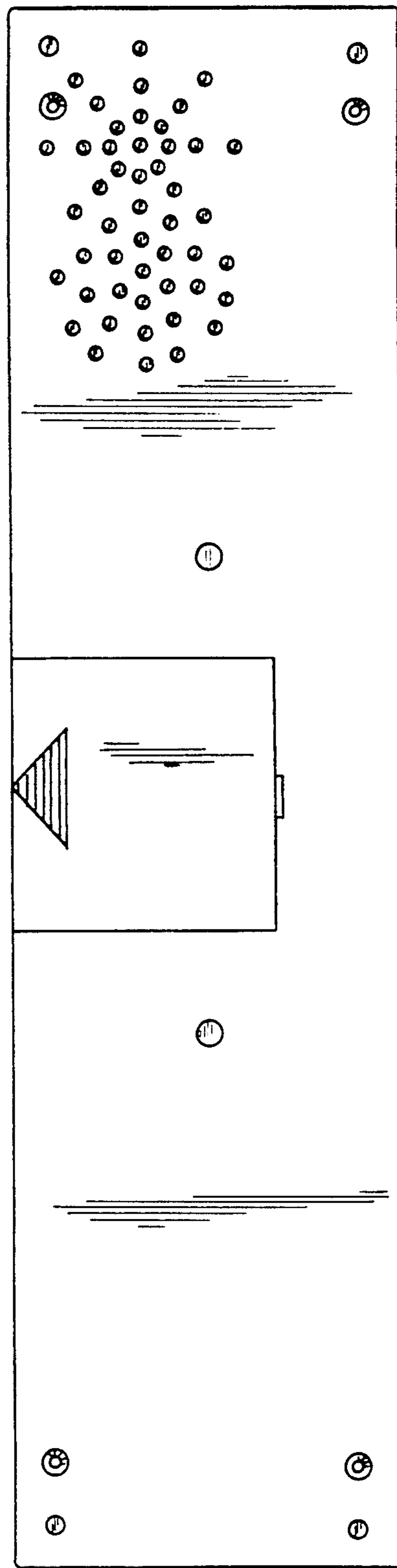


FIG. 5

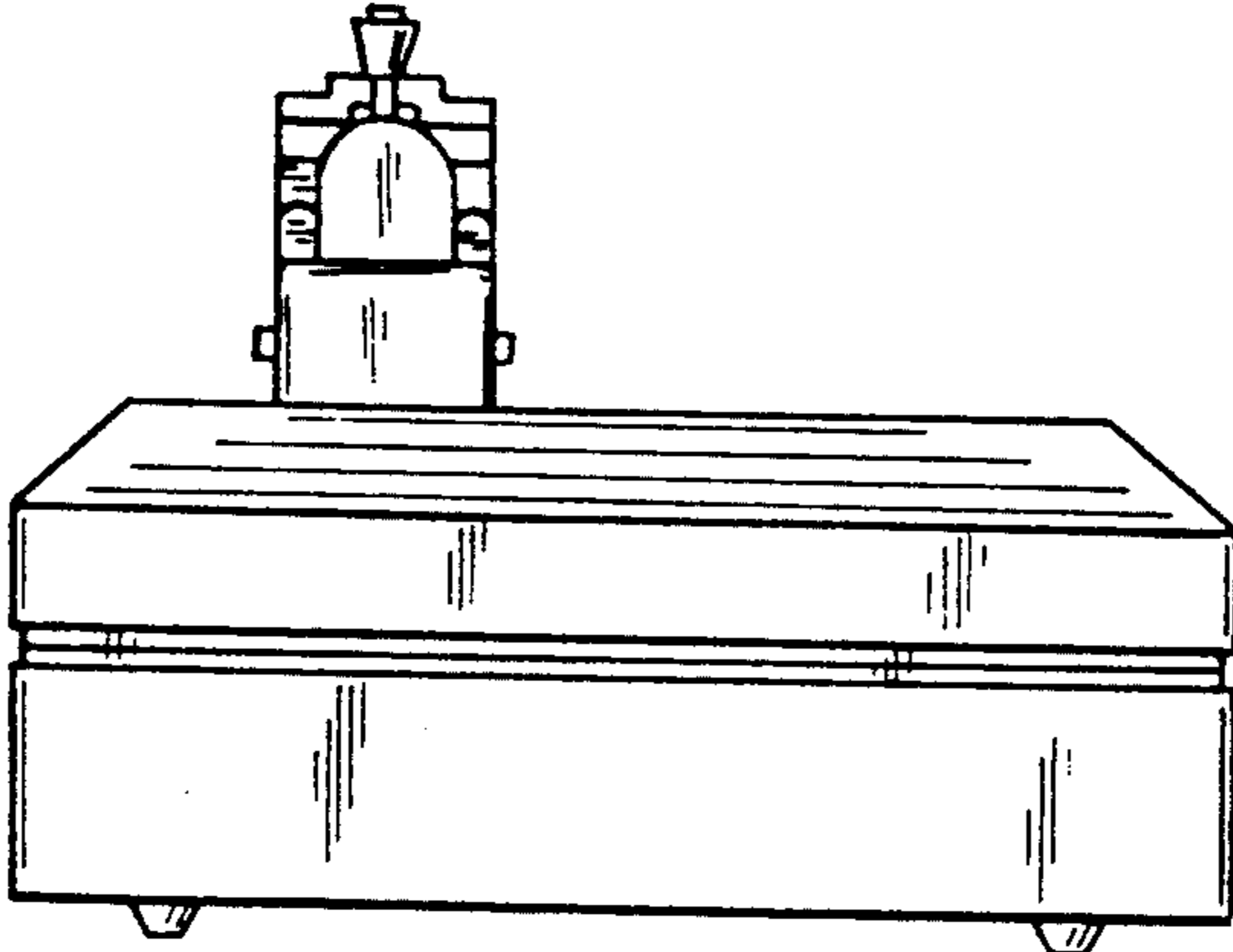


FIG. 7

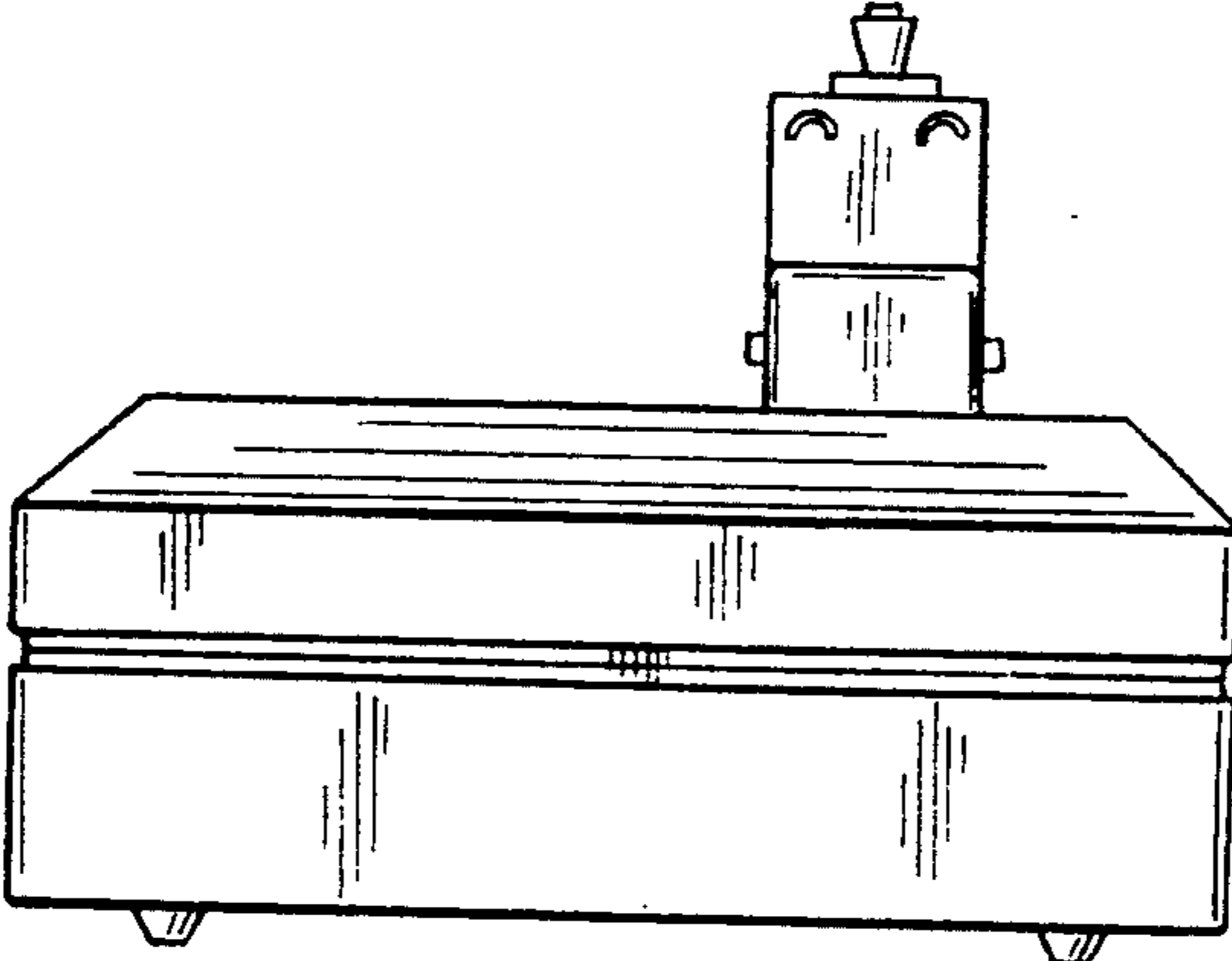


FIG. 6