



US00D341171S

# United States Patent [19]

[11] Patent Number: **Des. 341,171**

Eggert

[45] Date of Patent: **\*\* Nov. 9, 1993**

[54] **TOY SURF BOARD**

3,323,154 6/1967 Lambach ..... D21/228  
4,938,698 7/1990 Chantry ..... 446/327

[75] Inventor: **Niels B. Eggert, Kolding, Denmark**

[73] Assignee: **Interlego A.G., Baar, Switzerland**

[\*\*] Term: **14 Years**

*Primary Examiner*—Bernard Ansher  
*Assistant Examiner*—R. Barkai  
*Attorney, Agent, or Firm*—Kane, Dalsimer, Sullivan,  
Kurucz, Levy, Eisele and Richard

[21] Appl. No.: **789,137**

[22] Filed: **Nov. 6, 1991**

[52] U.S. Cl. .... **D21/108; D21/228**

[58] Field of Search ..... **D21/108, 141, 224, 228,  
D21/229; 446/88, 95, 93, 120, 128, 470, 471,  
901, 327**

[57] **CLAIM**

The ornamental design for a toy surf board, as shown and described.

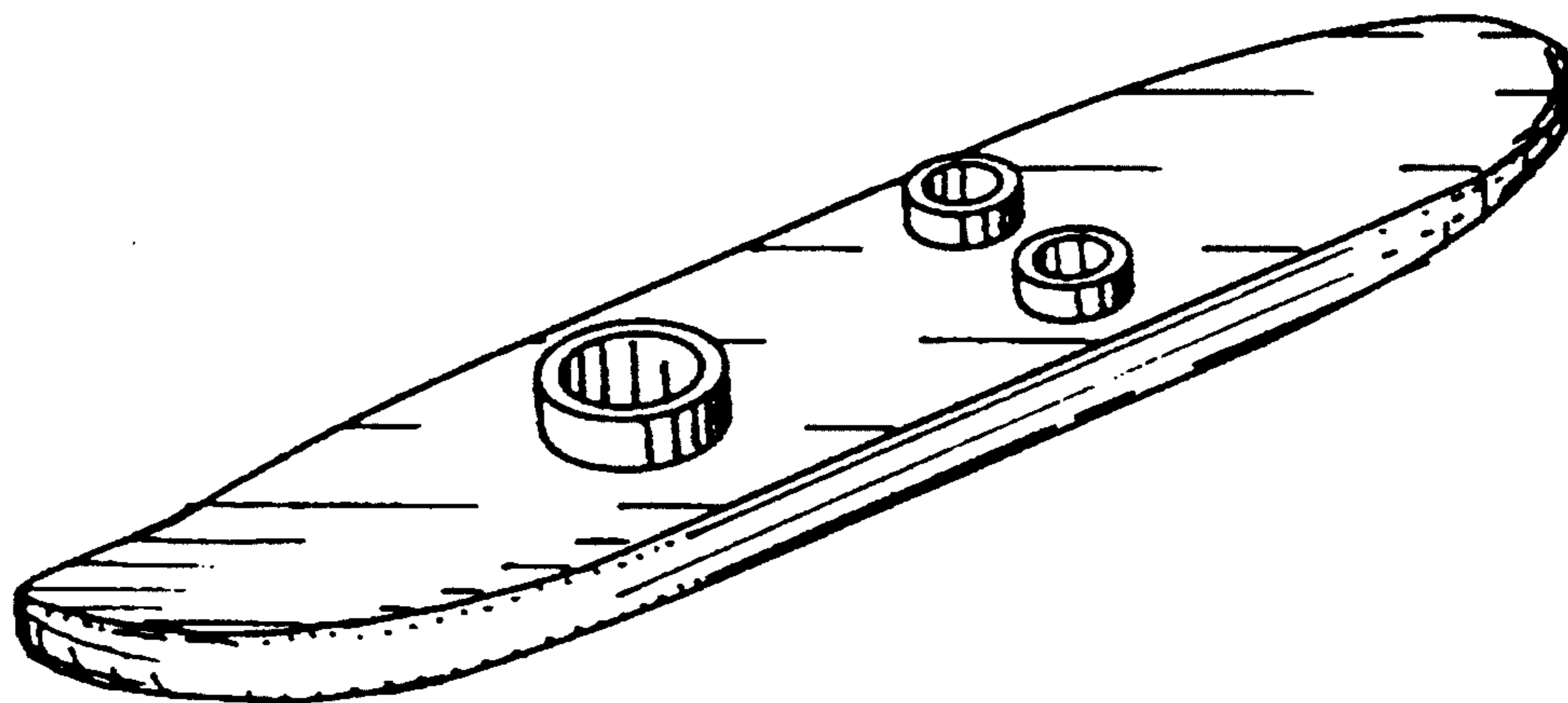
**DESCRIPTION**

FIG. 1 is a top perspective view of the toy surf board showing my new design;  
FIG. 2 is a bottom perspective view thereof;  
FIG. 3 is a front elevational view thereof;  
FIG. 4 is a side elevational view thereof, the other side being identical;  
FIG. 5 is a rear elevational view thereof;  
FIG. 6 is a top plan view thereof; and,  
FIG. 7 is a bottom plan view thereof.

[56] **References Cited**

**U.S. PATENT DOCUMENTS**

D. 265,898	8/1982	Cerkovnik	.....	D21/228
D. 269,668	7/1983	Schweitzer	.....	D21/228
D. 283,531	4/1986	Smith	.....	D21/228
D. 330,747	11/1992	Pia	.....	D21/228
3,289,227	12/1966	Kelly	.....	D21/228



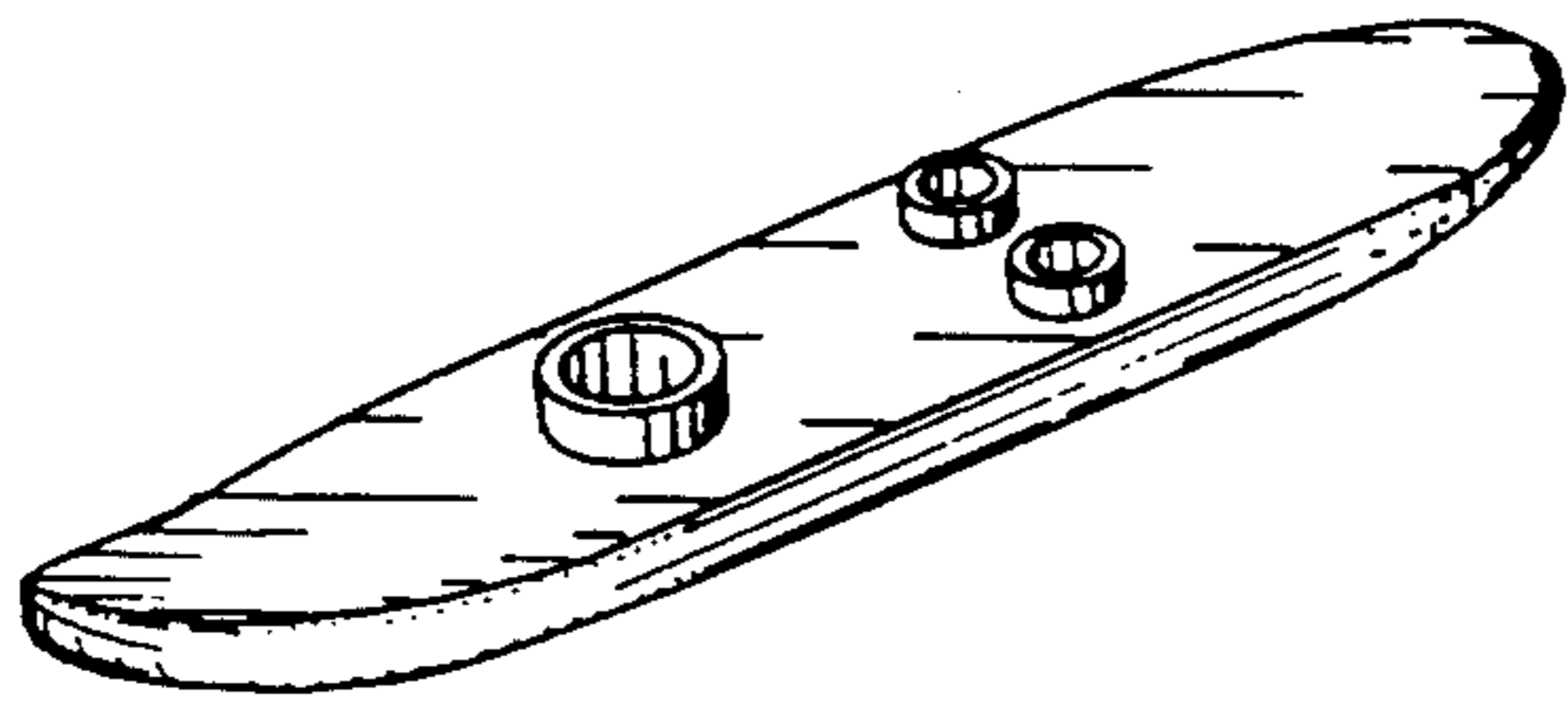


FIG. 1

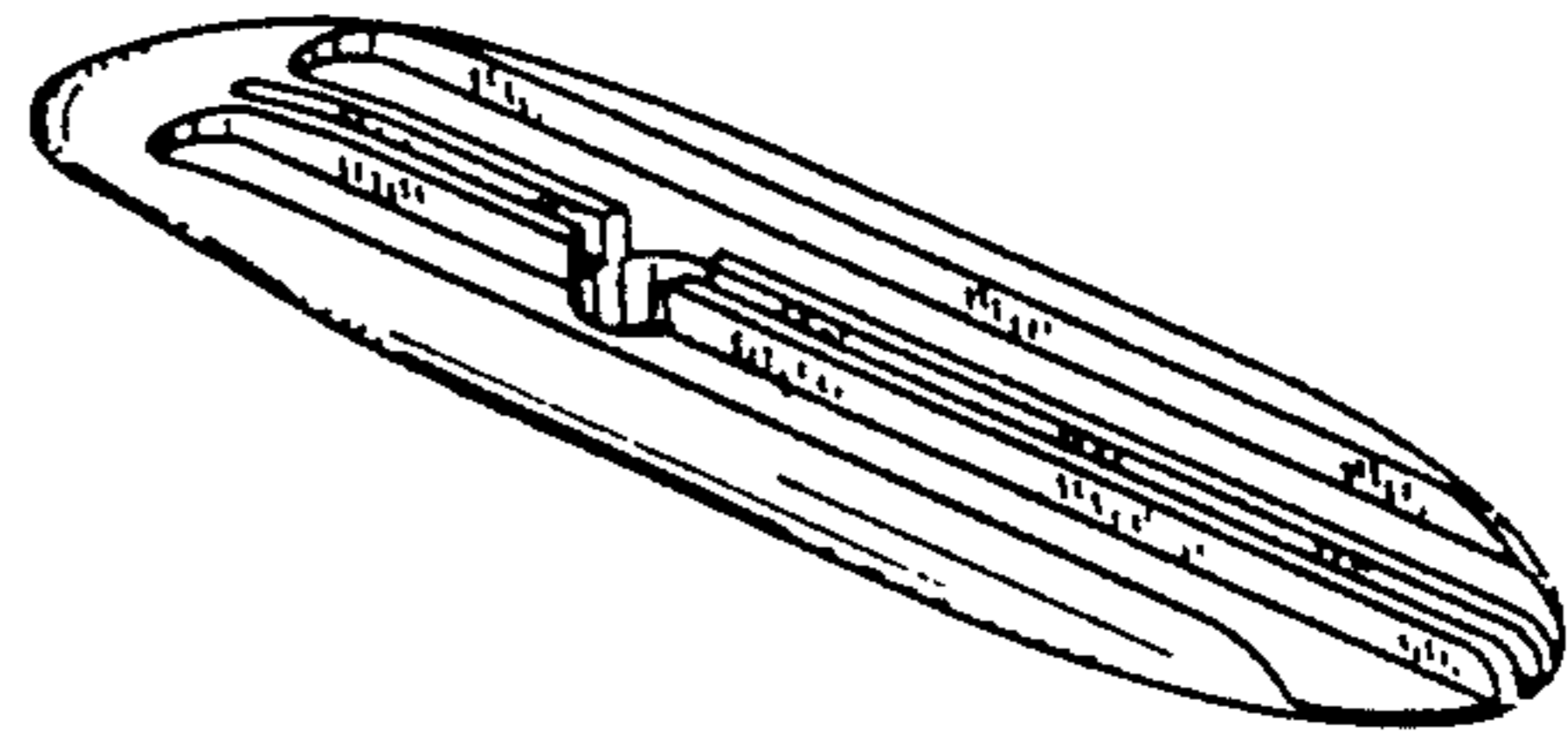


FIG. 2

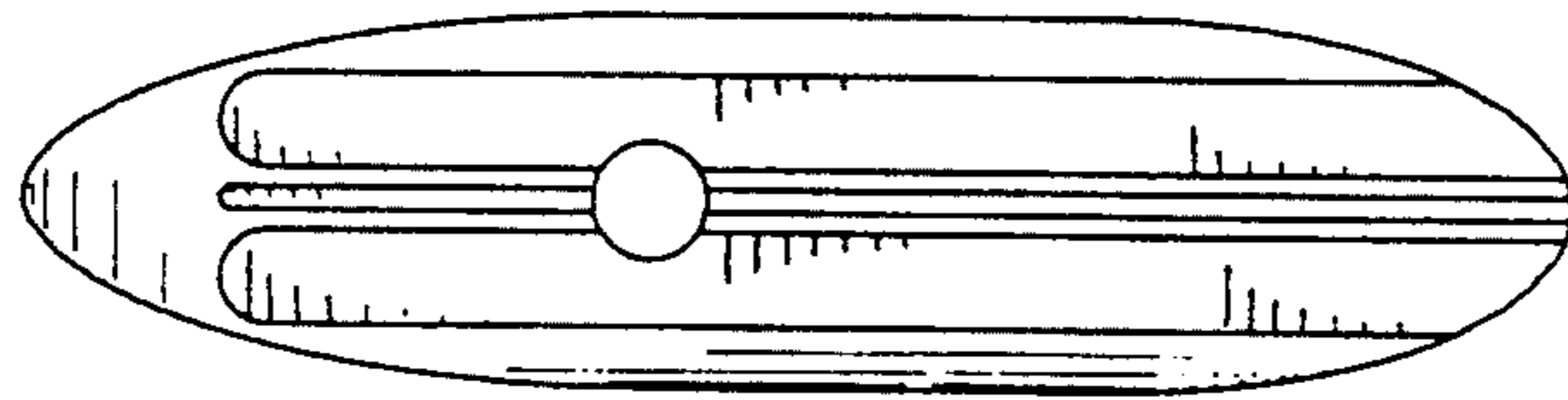


FIG. 7



FIG. 5



FIG. 4



FIG. 3

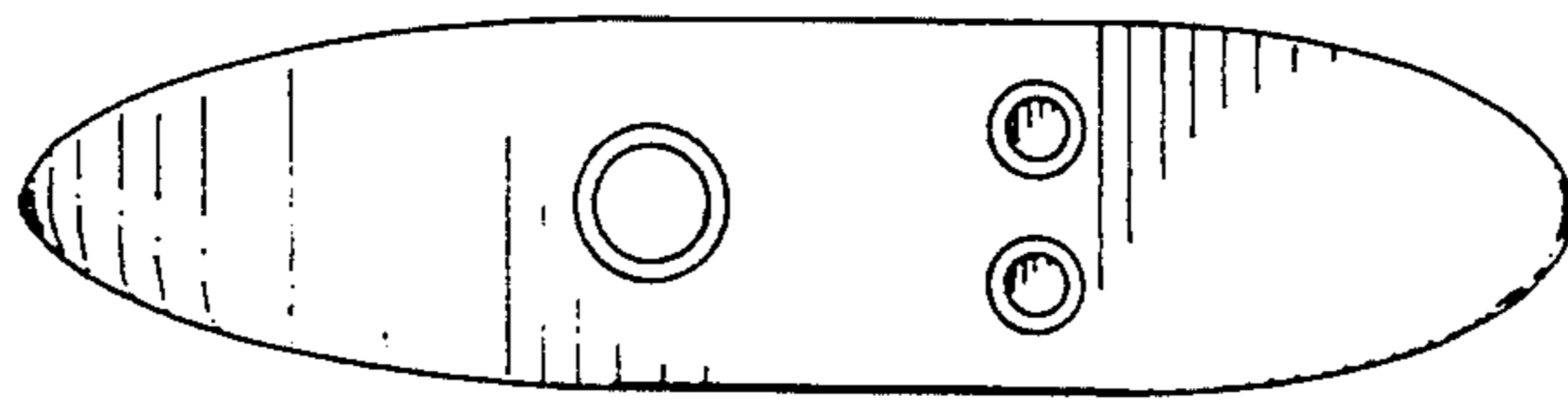


FIG. 6