



US00D341169S

United States Patent [19]

[11] Patent Number: **Des. 341,169**

Denton

[45] Date of Patent: **** Nov. 9, 1993**

[54] **BENDABLE TOY**

4,778,184 10/1988 Fleischer 446/487

[76] Inventor: **Kevin Denton**, 1621 Springer Ave.,
Burnaby, B.C., Canada, V5B-3M2

OTHER PUBLICATIONS

Domus Nov. 1987 p. 74 center of page.

[**] Term: **14 Years**

Primary Examiner—Bernard Ansher

[21] Appl. No.: **612,879**

Assistant Examiner—R. Barkai

[22] Filed: **Nov. 14, 1990**

Attorney, Agent, or Firm—Terry M. Gernstein

[52] U.S. Cl. **D21/108**

[57] **CLAIM**

[58] Field of Search D21/108, 109, 59;
446/100, 125, 128, 102, 487

The ornamental design for a bendable toy, as shown and described.

[56] **References Cited**

DESCRIPTION

U.S. PATENT DOCUMENTS

D. 244,307	5/1977	Maddestra	D21/108
D. 245,435	8/1977	Gnehm	D21/108
D. 290,627	6/1987	Dideriksen	D21/108
3,752,472	8/1973	Snead	D21/108
3,900,984	8/1975	Garellick	446/487
4,037,978	7/1977	Connelly	.	
4,232,473	11/1980	Jenkins	.	
4,509,929	4/1985	Zawitz	.	

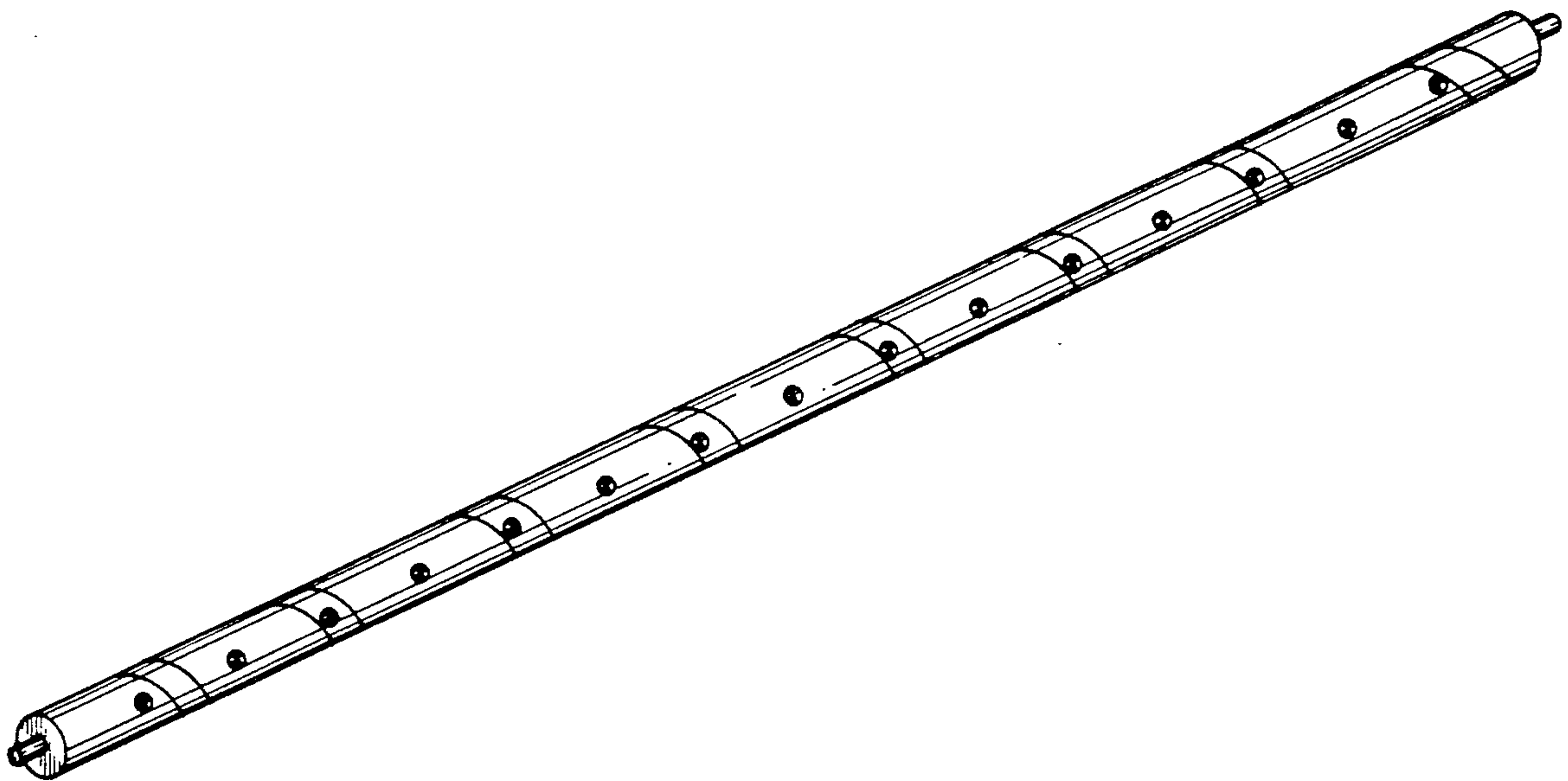
FIG. 1 is a perspective view of the bendable toy embodying the design of the present invention;

FIG. 2 is a front elevational view thereof;

FIG. 3 is a rear elevational view thereof;

FIG. 4 is a side elevational view thereof, the side opposite being a mirror image of the side shown in FIG. 4; and,

FIG. 5 is a top plan view thereof, the bottom view being a mirror image of the top view shown in FIG. 5.



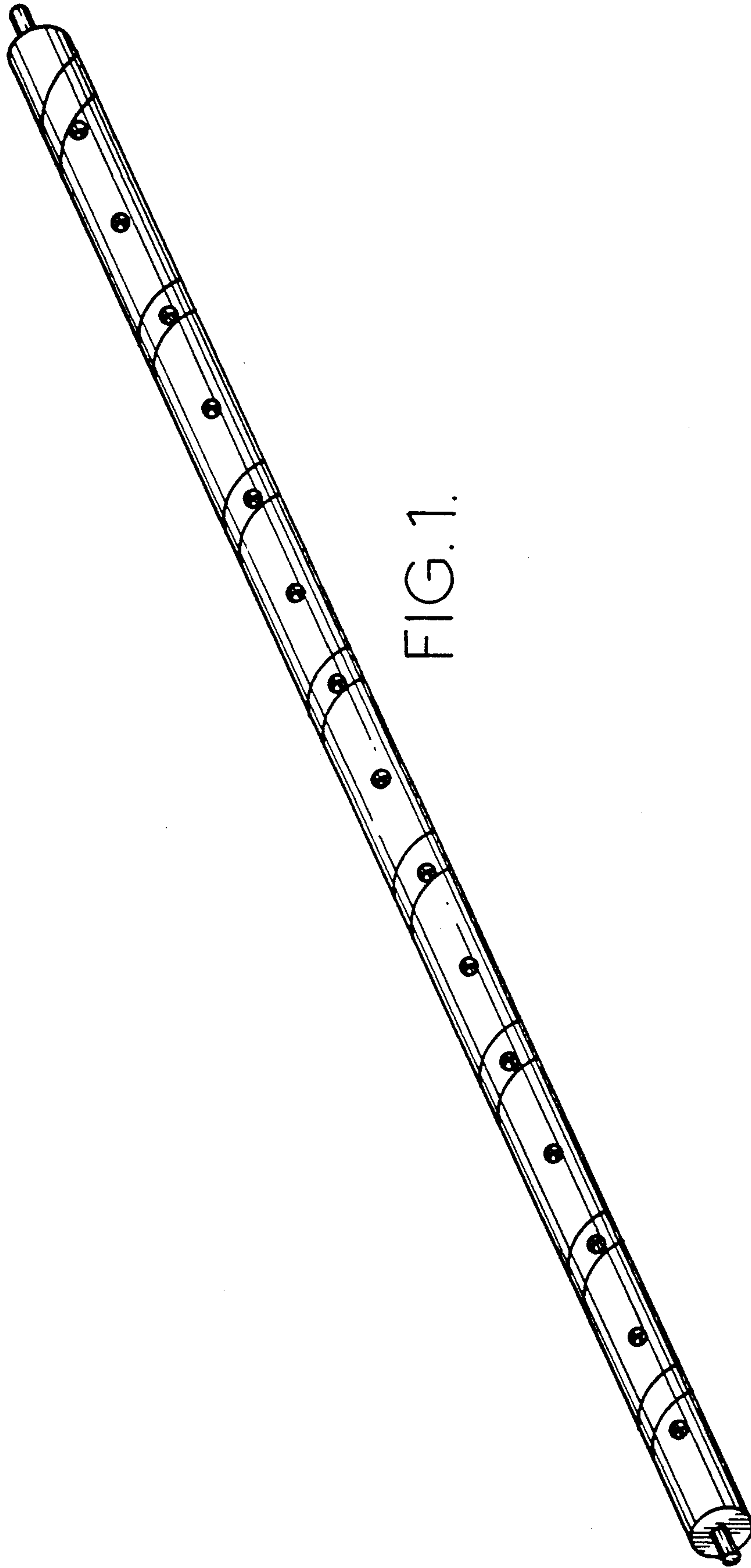


FIG. 1.

FIG. 2.

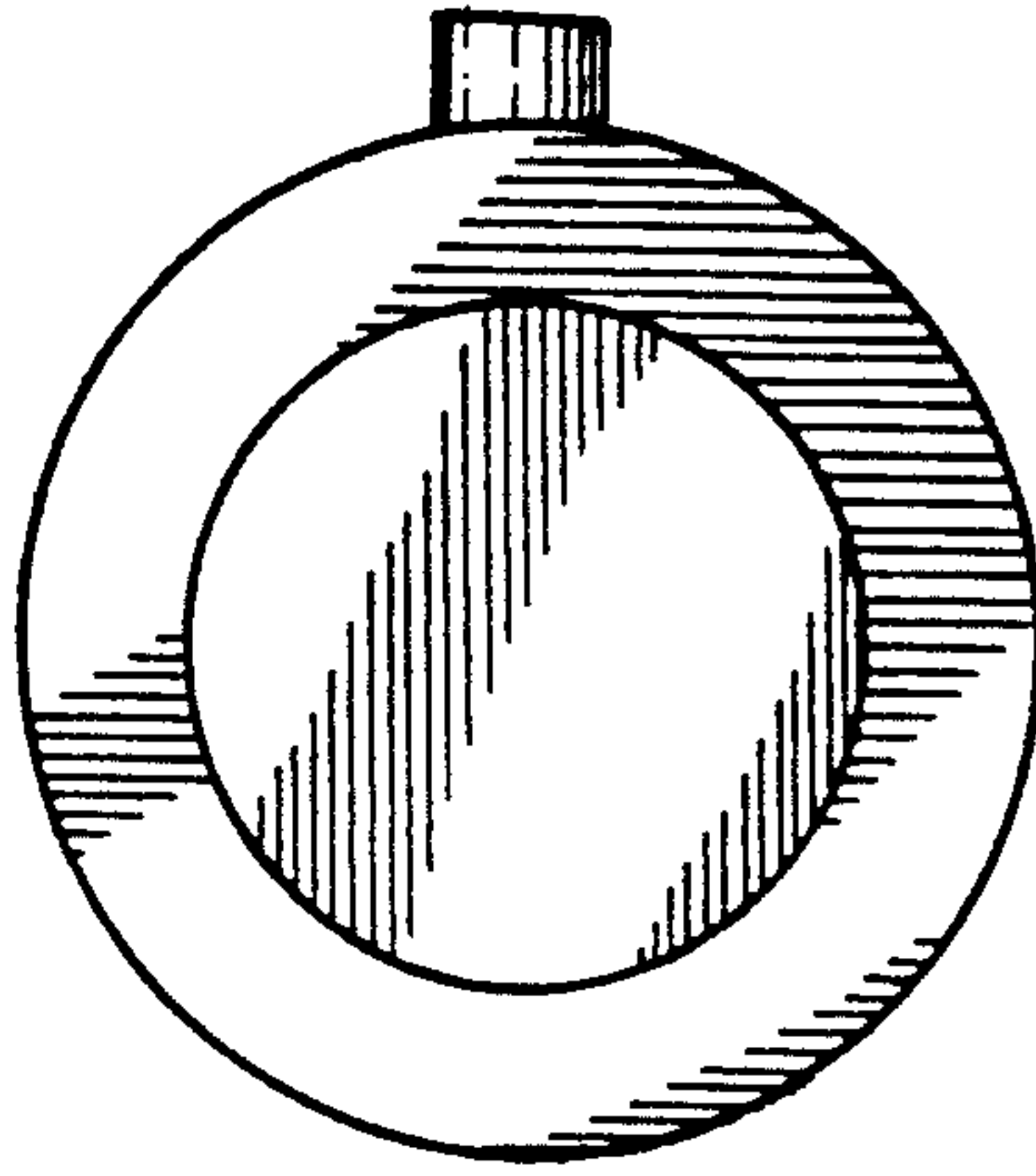


FIG. 3.

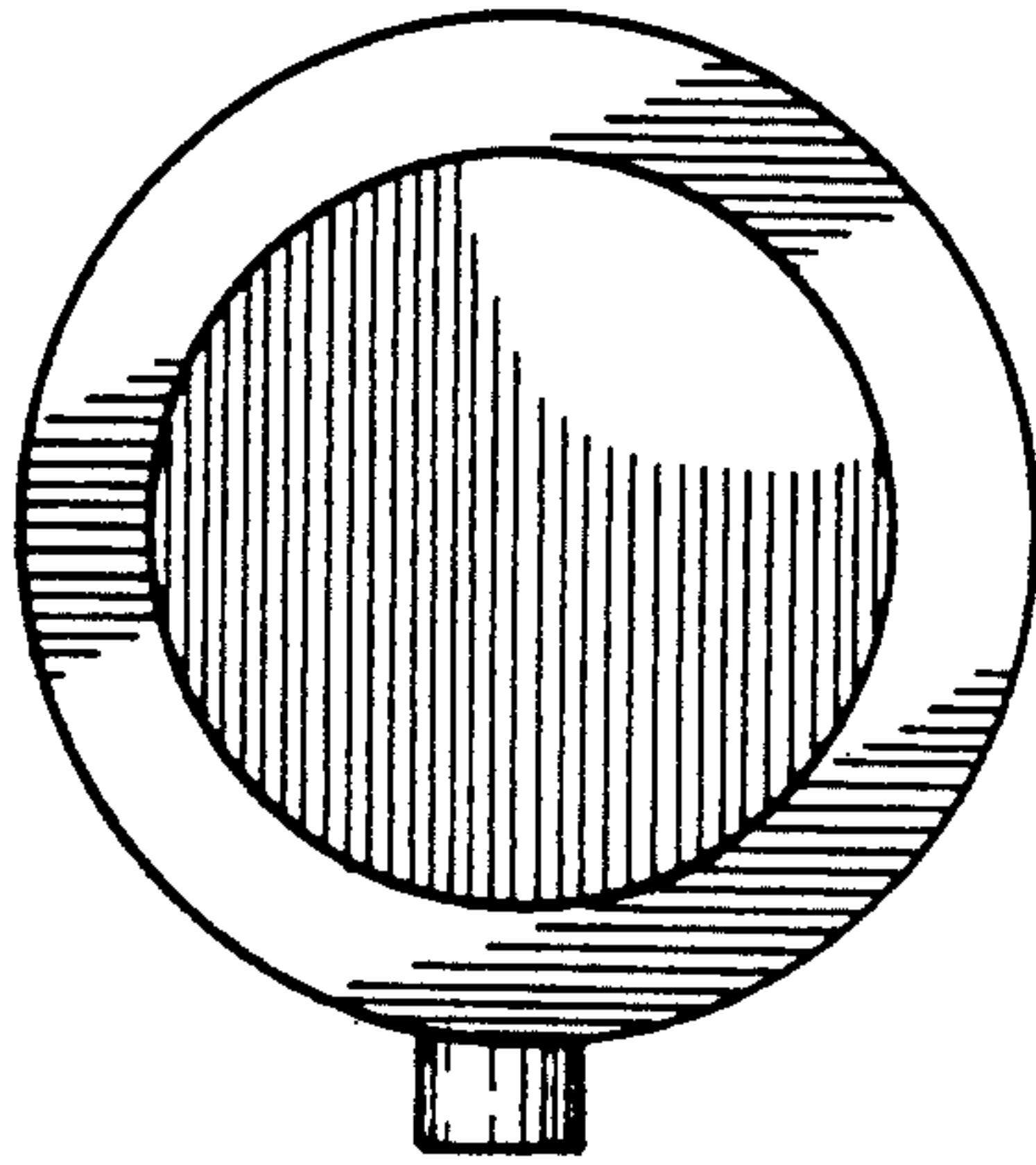


FIG. 4.



FIG. 5.

