



US00D341166S

# United States Patent [19]

[11] Patent Number: **Des. 341,166**

**Koike**

[45] Date of Patent: **\*\* Nov. 9, 1993**

[54] TOY

D. 274,072 5/1984 Emms et al. .... D21/63  
D. 281,438 11/1985 Wong ..... D21/63  
D. 300,333 3/1989 Thomson et al. .... D21/64 X

[75] Inventor: **Kazunobu Koike, Tokyo, Japan**

[73] Assignee: **Combi Corporation, Tokyo, Japan**

[\*\*] Term: **14 Years**

*Primary Examiner*—Bernard Ansher  
*Assistant Examiner*—Dominic Simone  
*Attorney, Agent, or Firm*—Sughrue, Mion, Zinn,  
Macpeak & Seas

[21] Appl. No.: **824,469**

[22] Filed: **Jan. 23, 1992**

[57] **CLAIM**

The ornamental design for a toy, as shown.

[30] **Foreign Application Priority Data**

**DESCRIPTION**

Jul. 26, 1991 [JP] Japan ..... 3-22260

[52] U.S. Cl. .... **D21/59; D21/63**

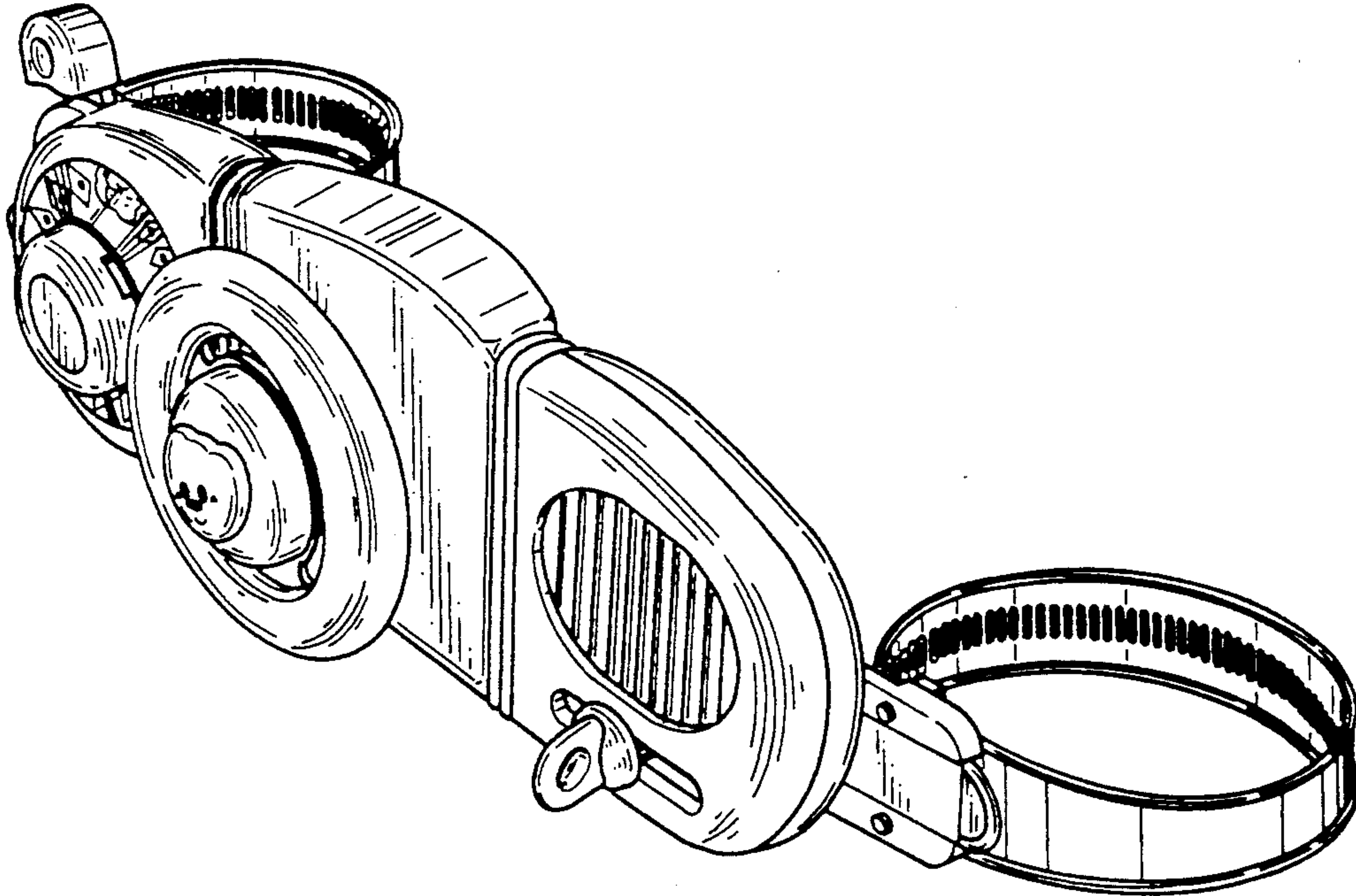
[58] Field of Search ..... **D21/59, 63, 64;**  
**446/227; 434/258, 260**

FIG. 1 is a front, top and right side perspective view of a toy showing my new design;  
FIG. 2 is a front elevational view thereof;  
FIG. 3 is a rear elevational view thereof;  
FIG. 4 is a left side elevational view thereof;  
FIG. 5 is a right side elevational view thereof;  
FIG. 6 is a top plan view thereof; and,  
FIG. 7 is a bottom plan view thereof.

[56] **References Cited**

**U.S. PATENT DOCUMENTS**

D. 155,940 11/1949 Szantay ..... D21/63



*Fig. 1*

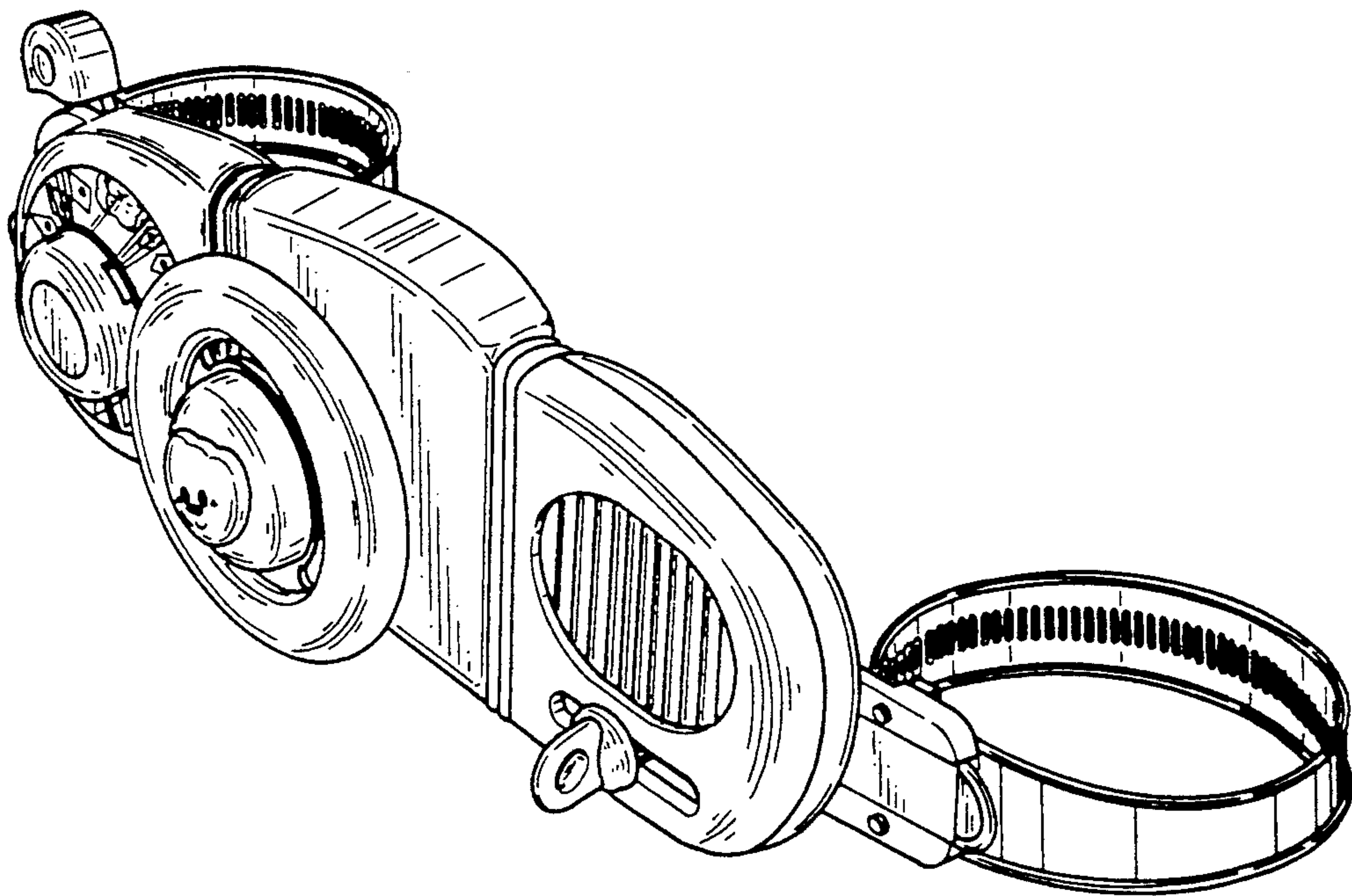


Fig. 2

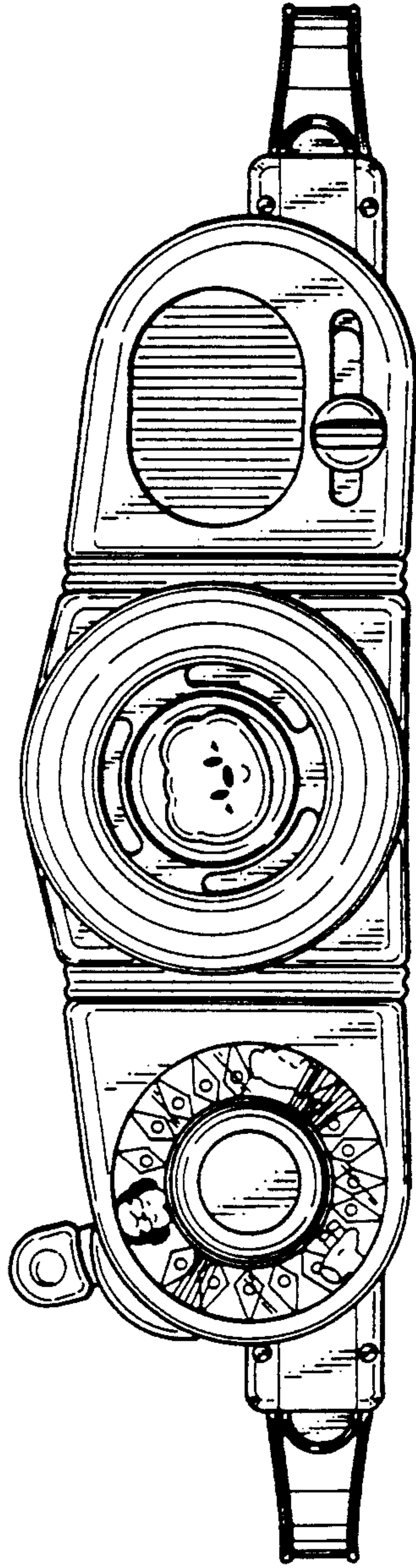
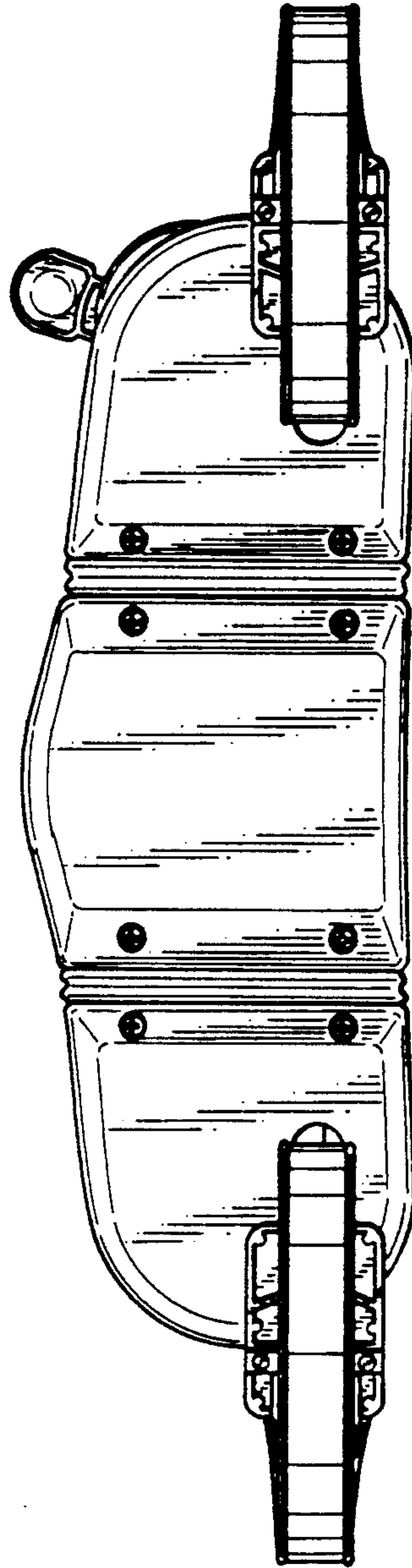
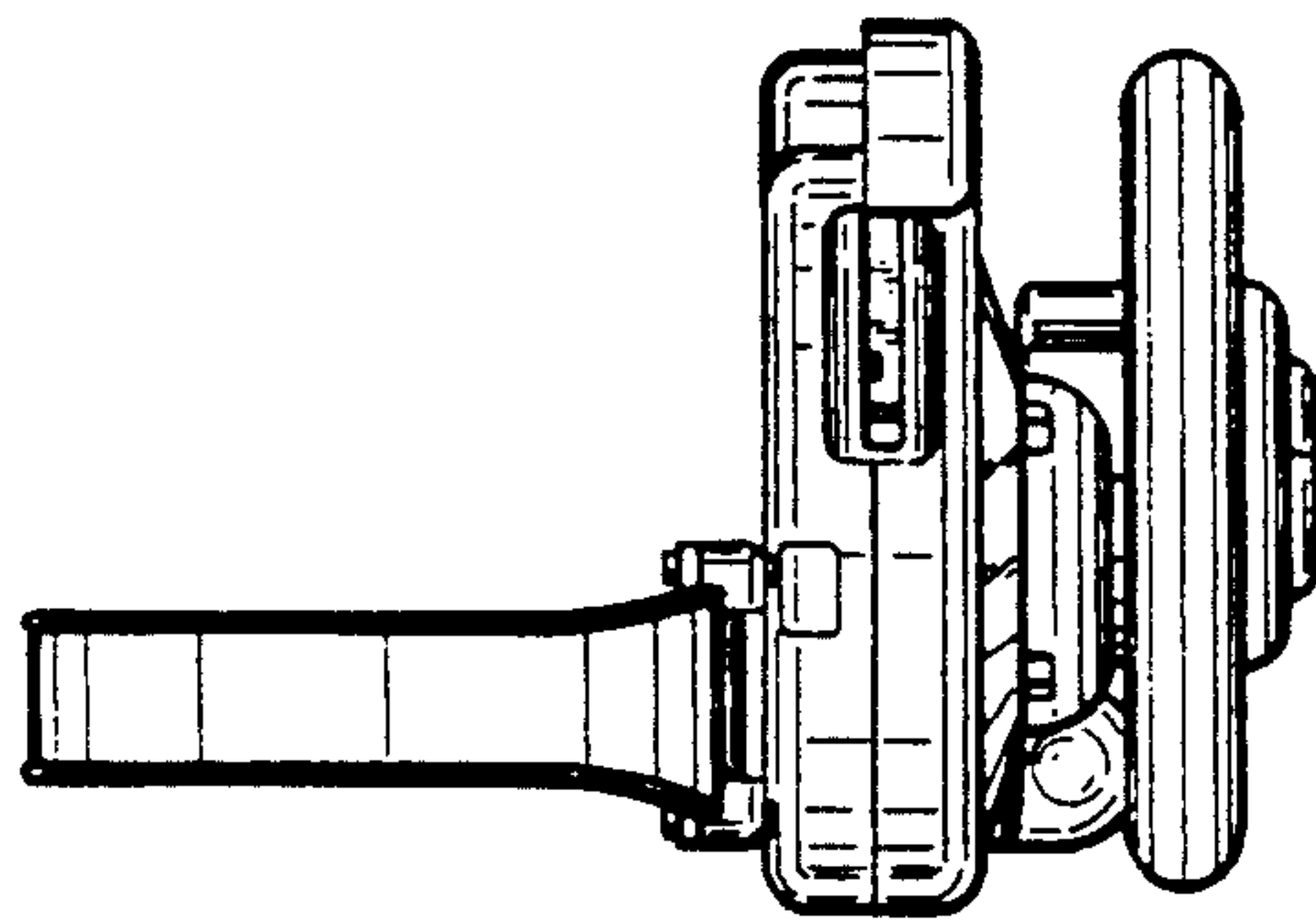


Fig. 3



*Fig. 4*



*Fig. 5*

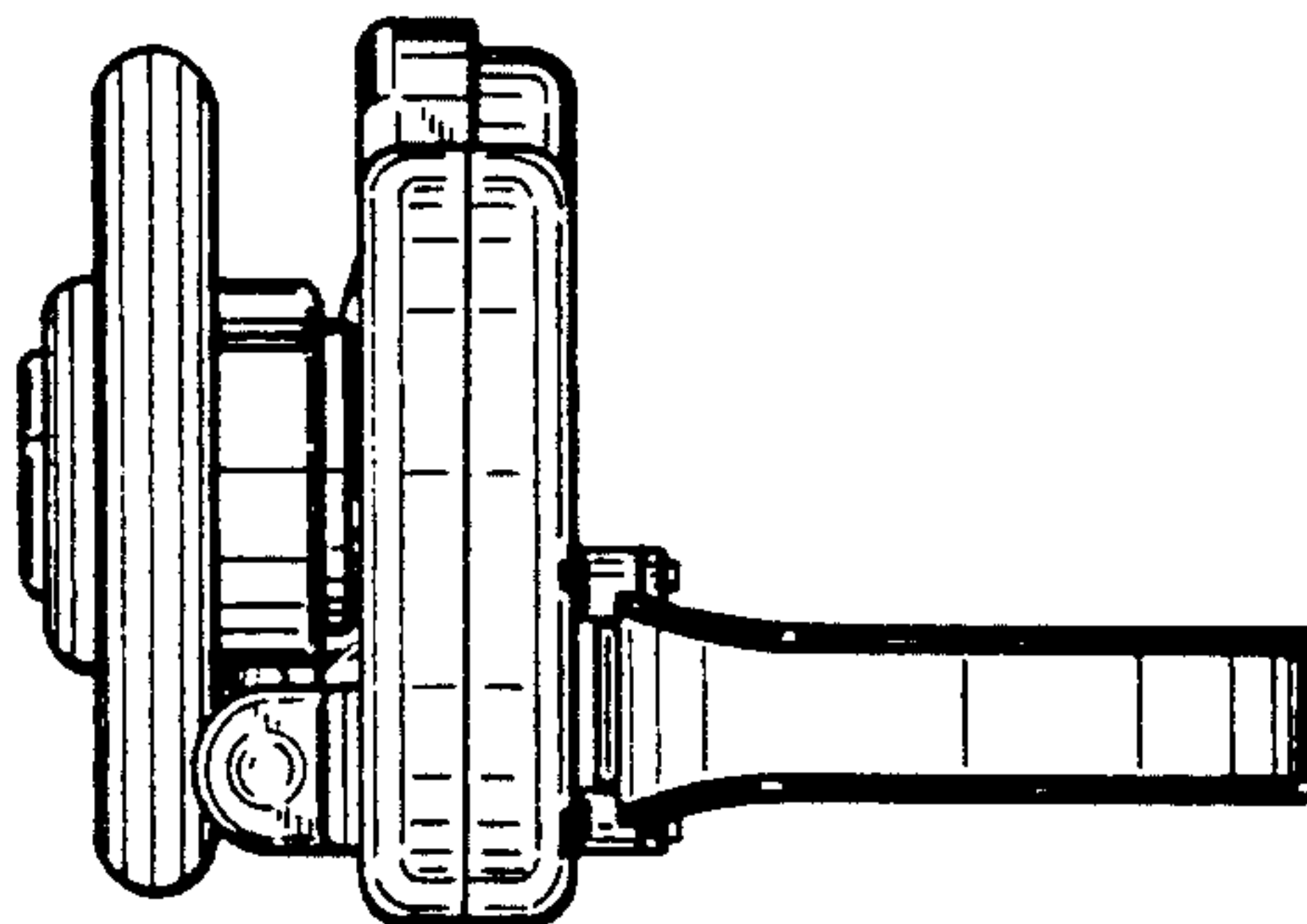




Fig. 6

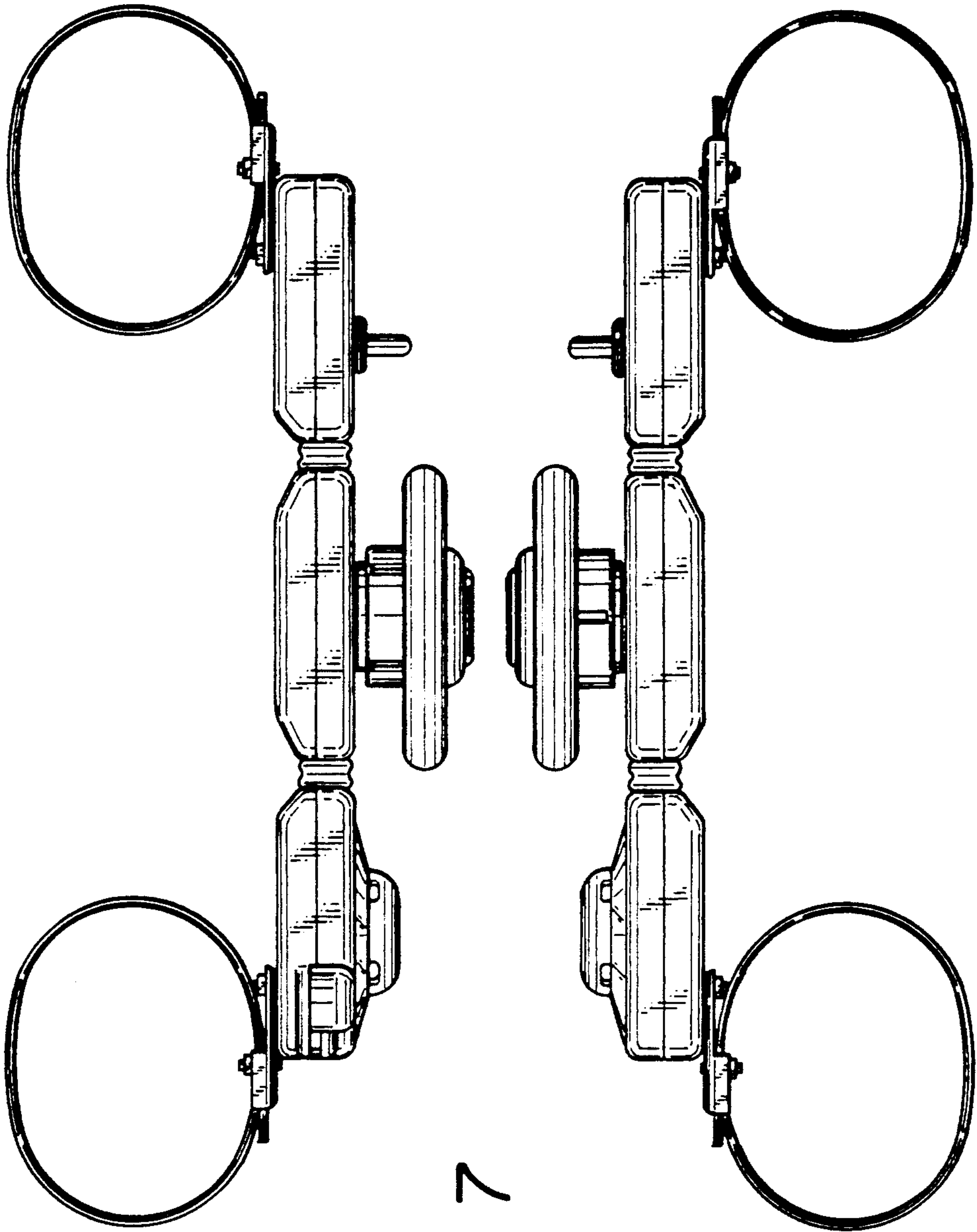


Fig. 7

