



US00D341159S

United States Patent [19]

[11] Patent Number: **Des. 341,159**

Watson et al.

[45] Date of Patent: **** Nov. 9, 1993**

[54] PAPERBACK BOOK PAGE HOLDER

[76] Inventors: **Barbara K. Watson**, Box 9311; **Lora C. Lewis**, 936 N. Vine Ave., #10, both of Ontario, Calif. 91762

[**] Term: **14 Years**

[21] Appl. No.: **619,330**

[22] Filed: **Nov. 28, 1990**

[52] U.S. Cl. **D19/34**

[58] Field of Search **D19/34; 24/67.7, 67 P; 281/42**

[56] **References Cited**

U.S. PATENT DOCUMENTS

D. 242,703 12/1976 Teetor D19/34
4,932,351 6/1990 Capamaggio 281/42

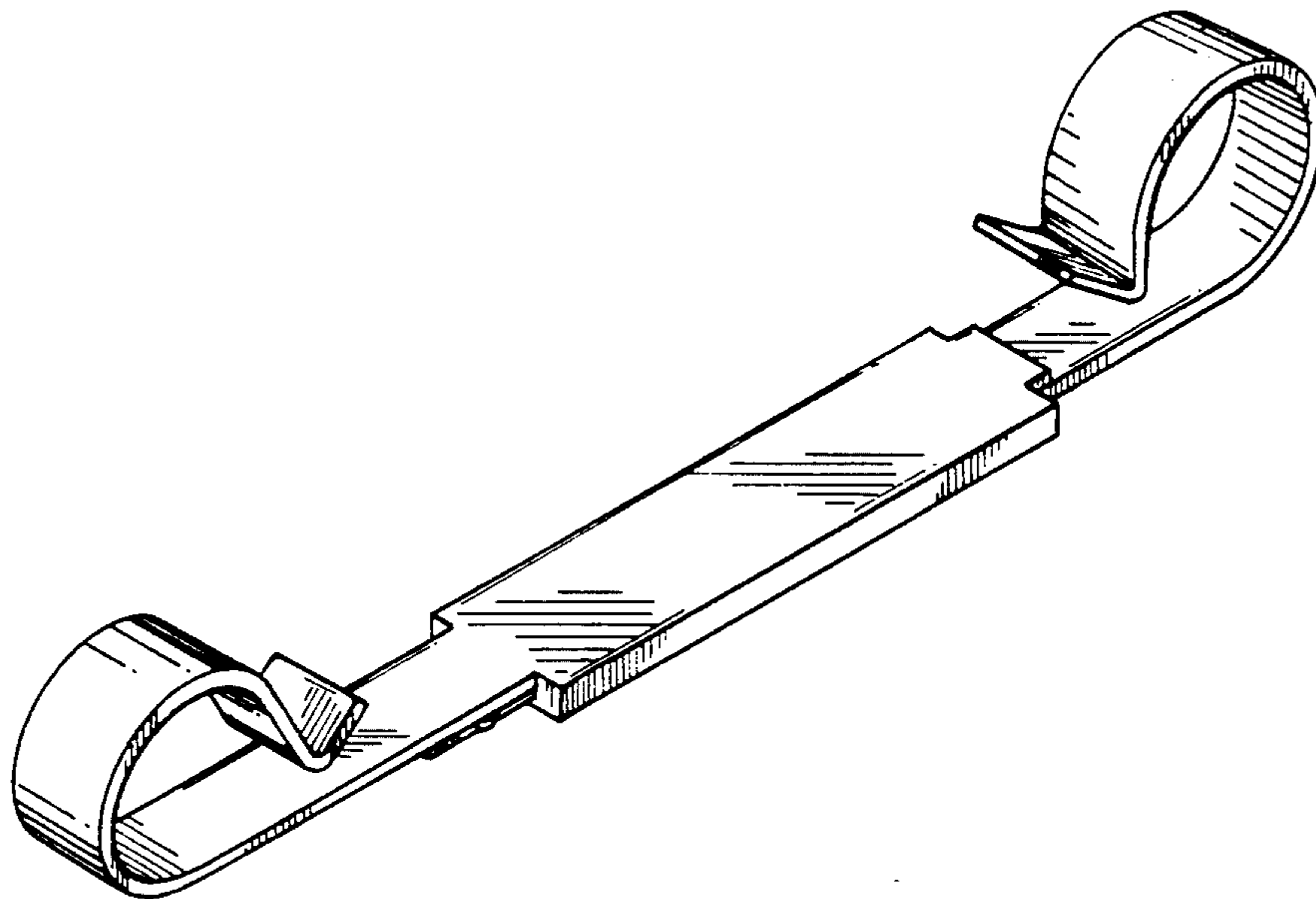
Primary Examiner—Wallace R. Burke
Assistant Examiner—Melody Brown
Attorney, Agent, or Firm—Charles C. Corbin

[57] **CLAIM**

The ornamental design for a paperback book page holder, as shown.

DESCRIPTION

FIG. 1 is a perspective view of a paperback book page holder showing our new design;
FIG. 2 is a left side elevational view thereof;
FIG. 3 is a top plan view thereof;
FIG. 4 is a top plan view thereof in an extended position;
FIG. 5 is a right side elevational view thereof;
FIG. 6 is a bottom plan view thereof;
FIG. 7 is a right end elevational view thereof; and,
FIG. 8 is a left end elevational view thereof.



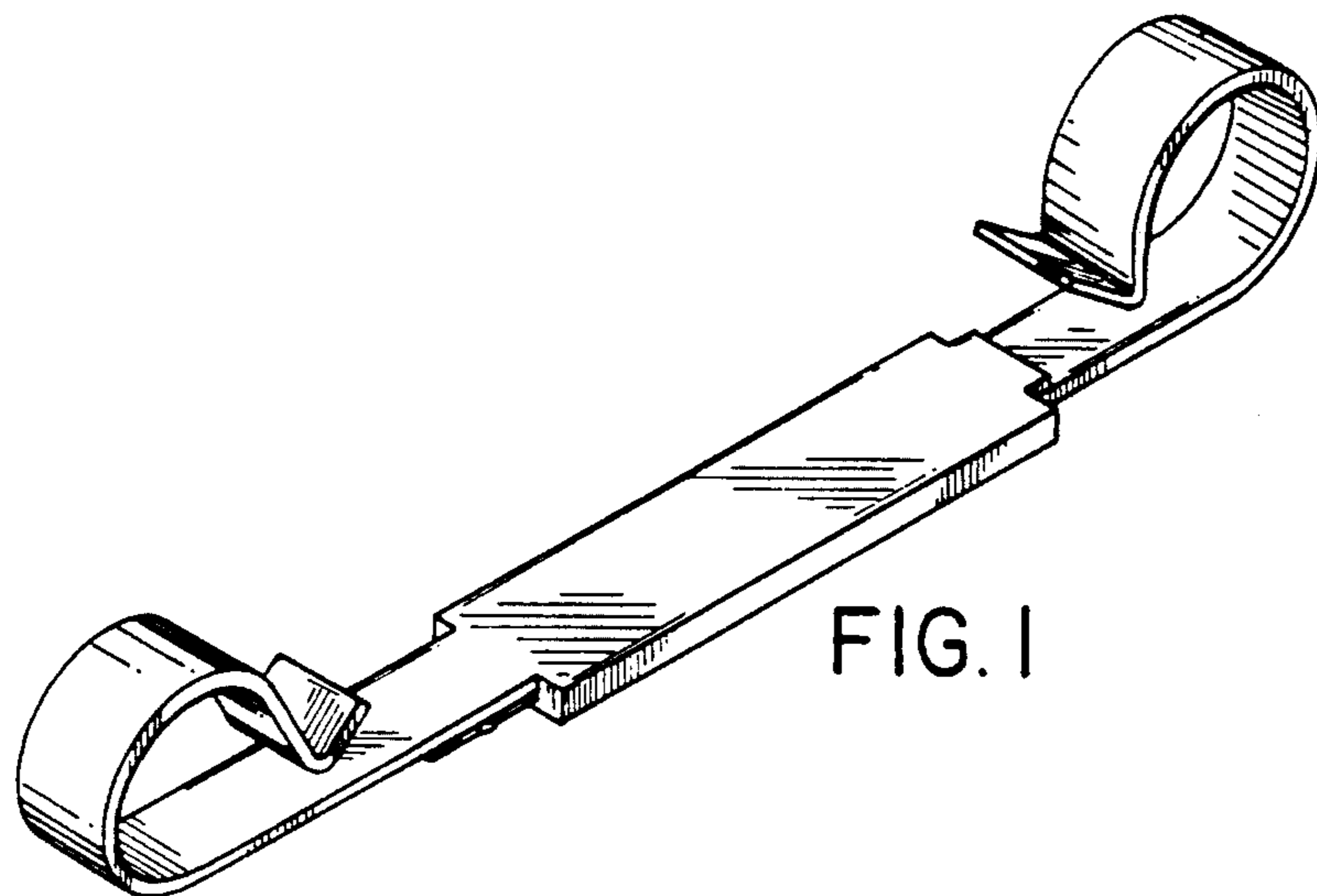


FIG. 1



FIG. 7

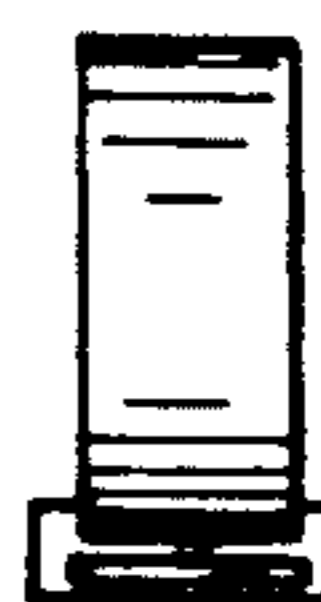


FIG. 8

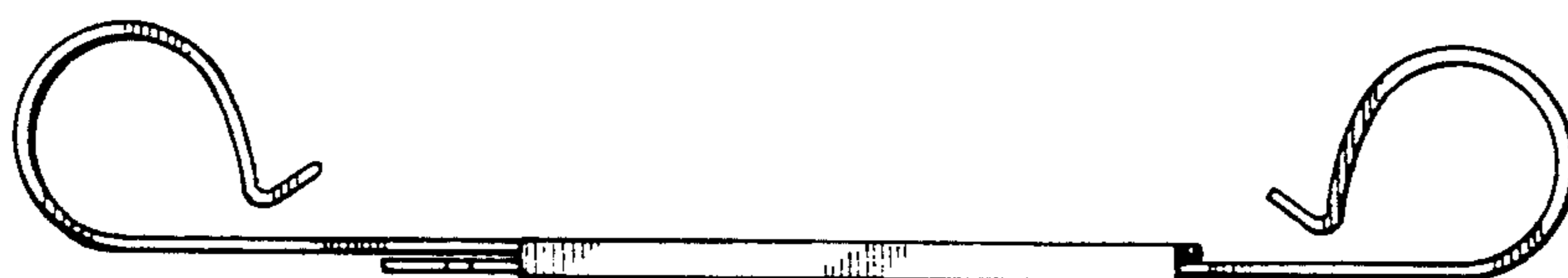


FIG. 2



FIG. 3



FIG. 4



FIG. 5



FIG. 6