



US00D341156S

United States Patent [19] Smith

[11] Patent Number: **Des. 341,156**

[45] Date of Patent: **** Nov. 9, 1993**

[54] **INK JET INK CARTRIDGE**

[75] Inventor: **Philip N. Smith**, Valencia, Calif.

[73] Assignee: **Dataproducts Corporation**,
Woodland Hills, Calif.

[**] Term: **14 Years**

[21] Appl. No.: **498,927**

[22] Filed: **Mar. 26, 1990**

[52] U.S. Cl. **D18/56**

[58] Field of Search **D18/18, 40, 43, 56-58;**
400/471; 101/333, 334, 335; 346/75, 140 R, 140
PD

[56] **References Cited**

U.S. PATENT DOCUMENTS

D. 314.006	1/1991	Abe et al.	D18/56
4,183,031	1/1980	Kyser et al.	346/140 R
4,931,812	6/1990	Dunn et al.	346/140 R
5,113,206	5/1992	Fukazawa	346/104 R

Primary Examiner—A. Hugo Word
Assistant Examiner—Cathy Anne MacCormac
Attorney, Agent, or Firm—Spensley Horn Jubas & Lubitz

[57] **CLAIM**

The ornamental design for an ink jet ink cartridge, as shown.

DESCRIPTION

FIG. 1 is a perspective view of my ink jet ink cartridge taken from one side of the ink jet ink cartridge;

FIG. 2 is another perspective view taken from the other side thereof;

FIG. 3 is a side view taken from the side shown in FIG. 1 thereof;

FIG. 4 is a bottom view thereof;

FIG. 5 is a top view thereof;

FIG. 6 is an end view of the near end of FIG. 1 thereof;

FIG. 7 is an end view of the near end of FIG. 2 thereof; and,

FIG. 8 is a side view taken from the side shown in FIG. 2 thereof.

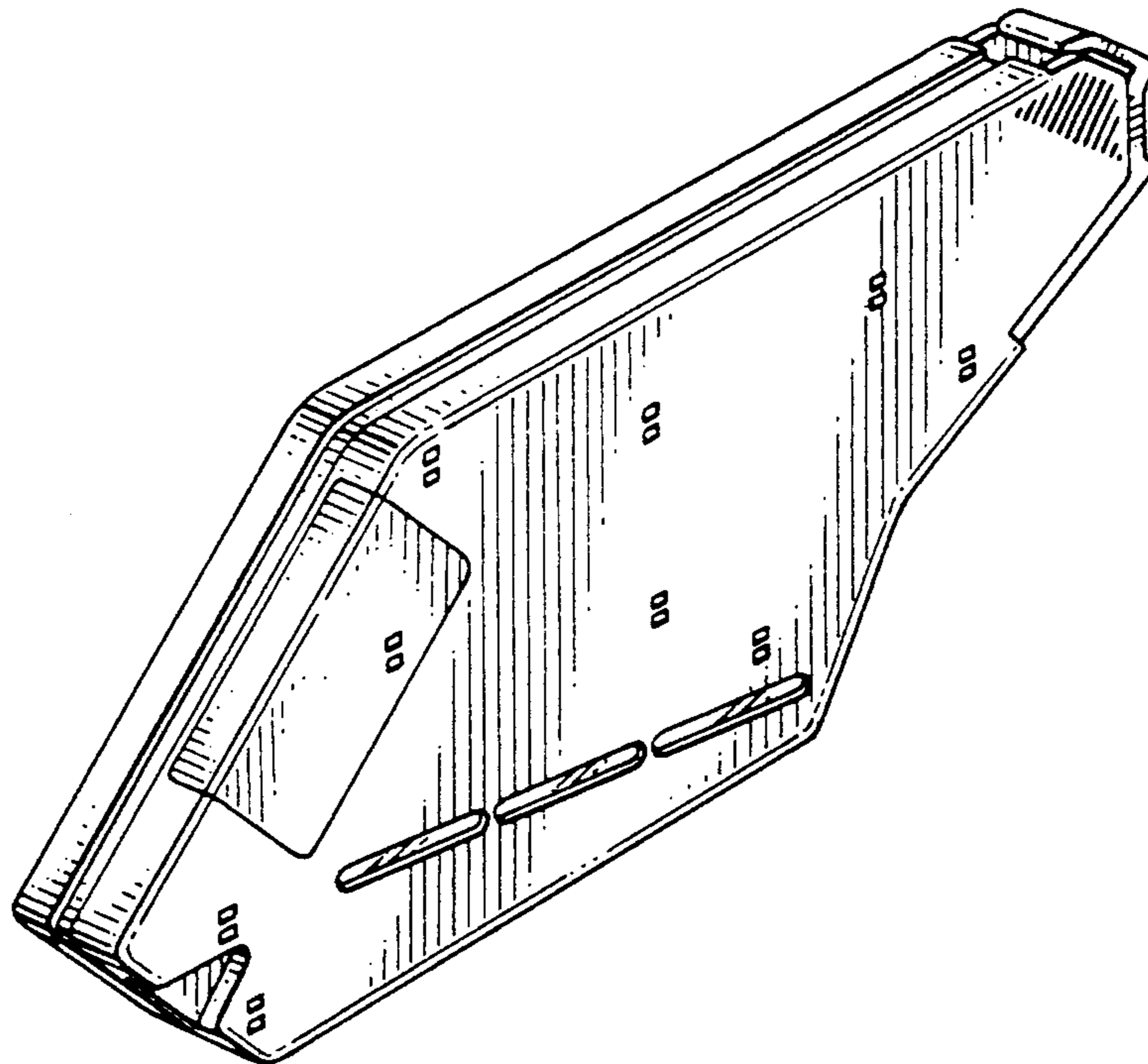


FIG. 1

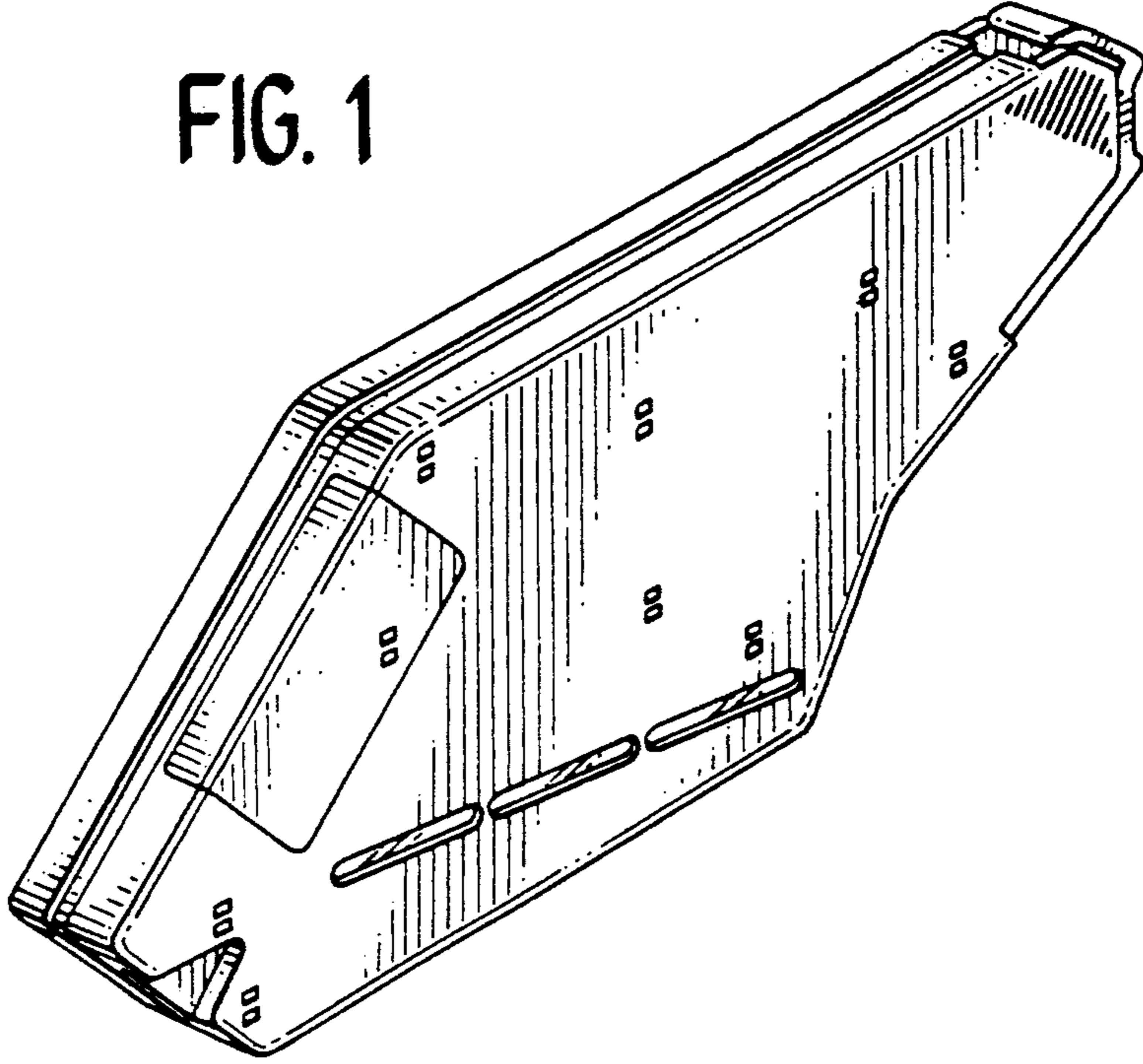


FIG. 2

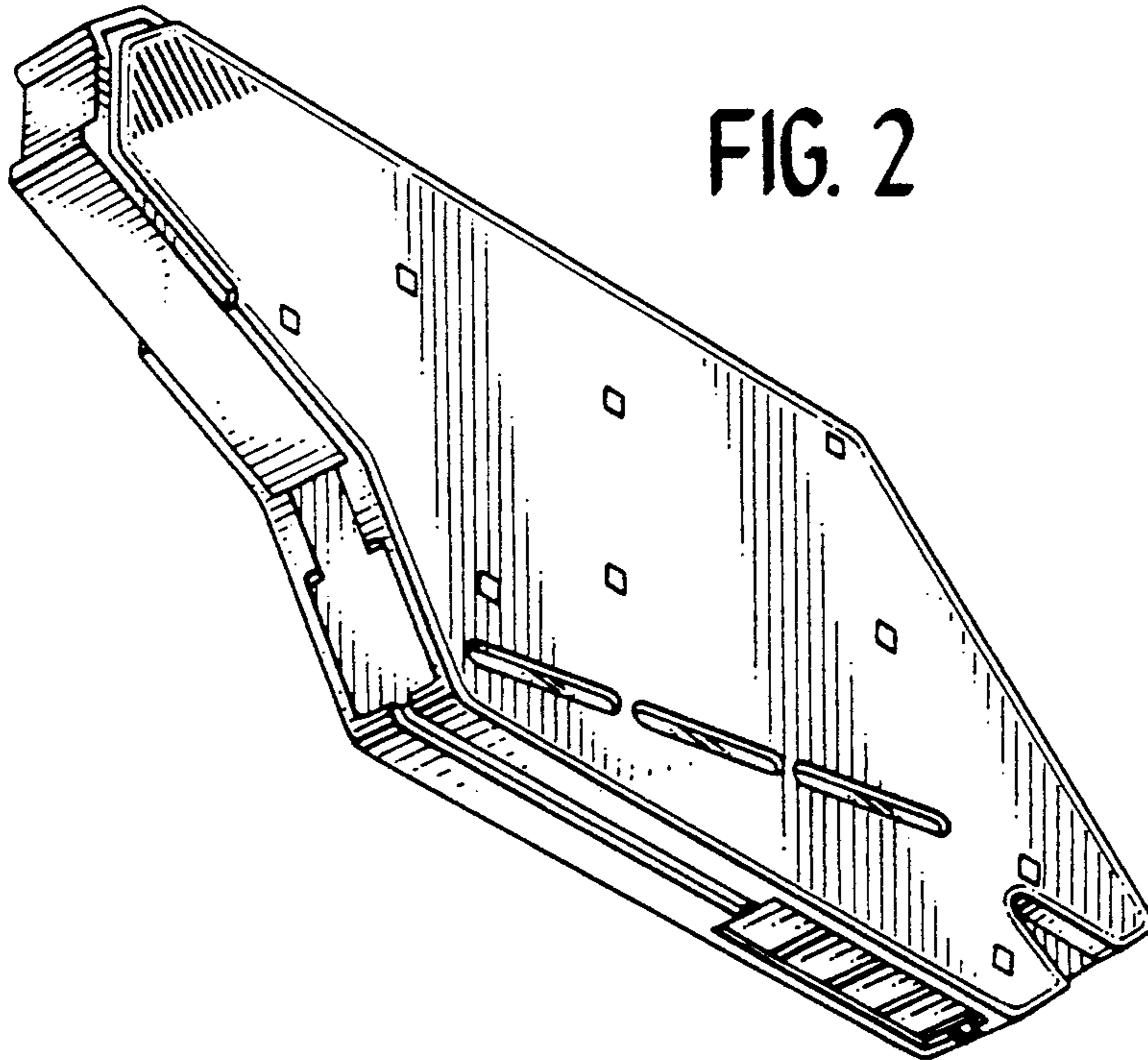


FIG. 3

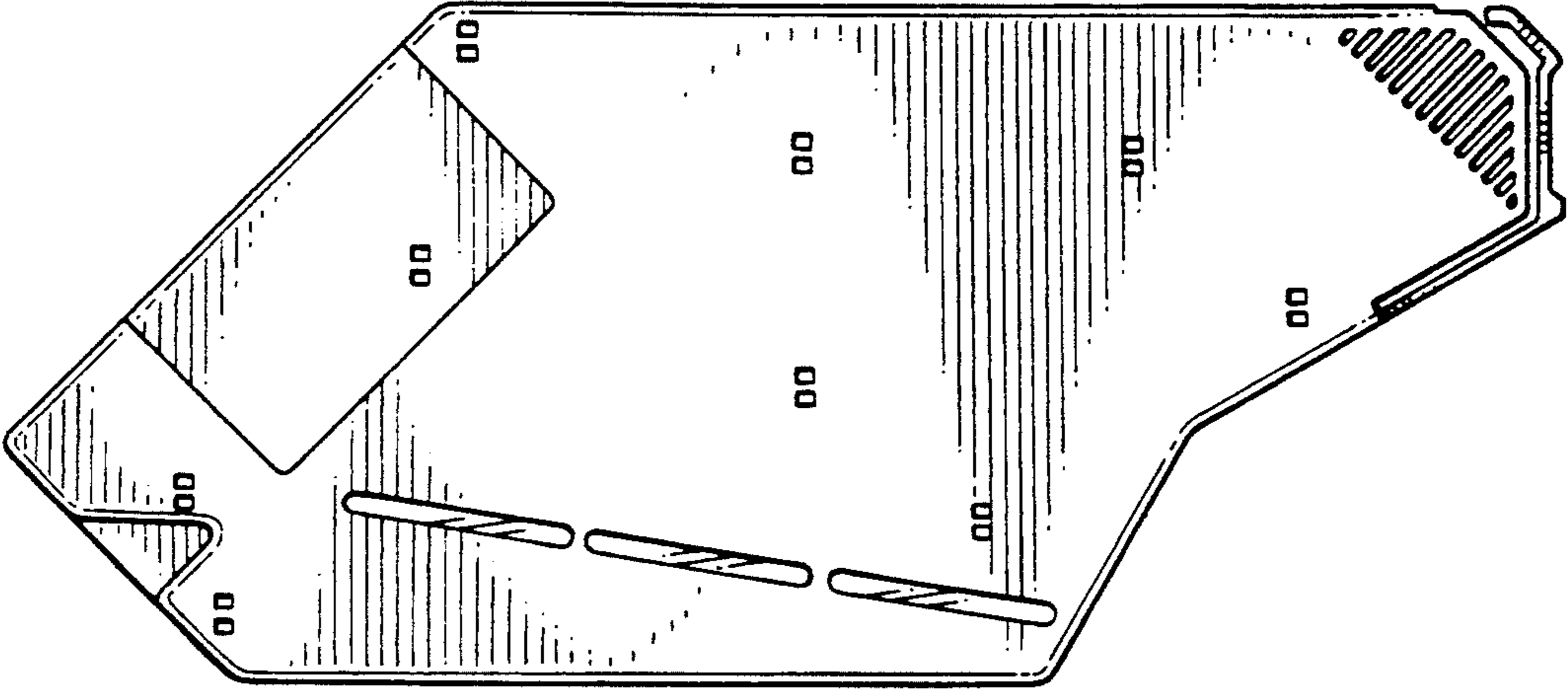


FIG. 4

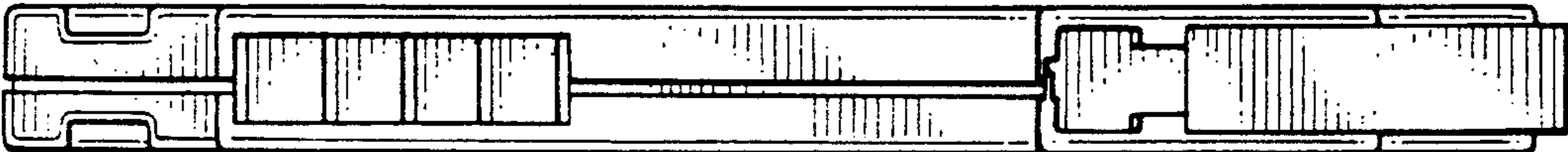


FIG. 5

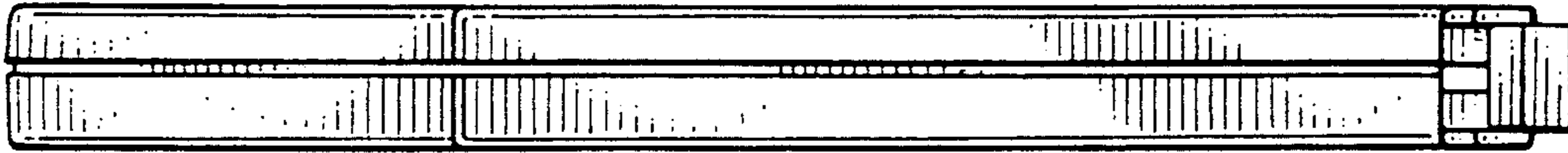


FIG. 6

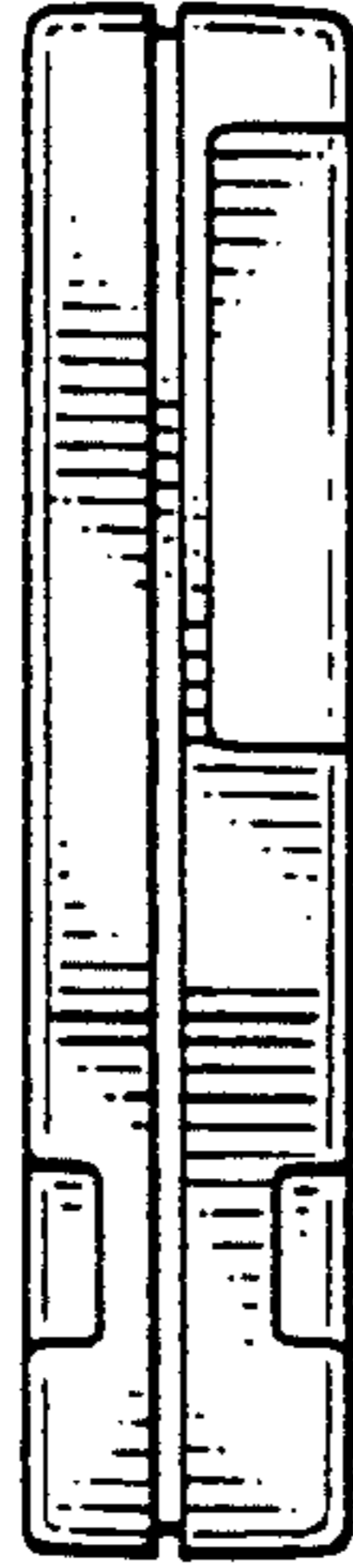


FIG. 7



FIG. 8

