



US00D341154S

# United States Patent [19]

[11] Patent Number: **Des. 341,154**

Isozaki

[45] Date of Patent: **\*\* Nov. 9, 1993**

[54] CAMERA

4,349,266 9/1982 Maeda et al. .... 354/288

[75] Inventor: **Makoto Isozaki, Kanagawa, Japan**

### FOREIGN PATENT DOCUMENTS

[73] Assignee: **Fuji Photo Film Co., Ltd., Kanagawa, Japan**

57-26834 2/1982 Japan ..... 354/149.11

[\*\*] Term: **14 Years**

*Primary Examiner*—Bernard Ansher  
*Assistant Examiner*—Adir Aronovich  
*Attorney, Agent, or Firm*—Young & Thompson

[21] Appl. No.: **797,803**

### [57] CLAIM

[22] Filed: **Nov. 19, 1991**

The ornamental design for a camera, as shown.

### [30] Foreign Application Priority Data

### DESCRIPTION

May 21, 1991 [JP] Japan ..... 3-14742

[52] U.S. Cl. .... **D16/217; D16/209**

[58] Field of Search ..... D16/200, 208, 209, 216-218;  
354/126, 127.11, 149.11, 202, 288

FIG. 1 is a front, top and side perspective view of a camera showing my new design;  
FIG. 2 is a front elevational view thereof;  
FIG. 3 is a rear elevational view thereof;  
FIG. 4 is a top plan view thereof;  
FIG. 5 is a bottom plan view thereof;  
FIG. 6 is a side elevational view thereof from the left of FIG. 2; and,  
FIG. 7 is a side elevational view thereof from the right of FIG. 2.

### [56] References Cited

#### U.S. PATENT DOCUMENTS

D. 262,633 1/1982 Kato ..... D16/209  
D. 262,713 1/1982 Kato ..... D16/218  
D. 270,840 10/1983 Soda ..... D16/209

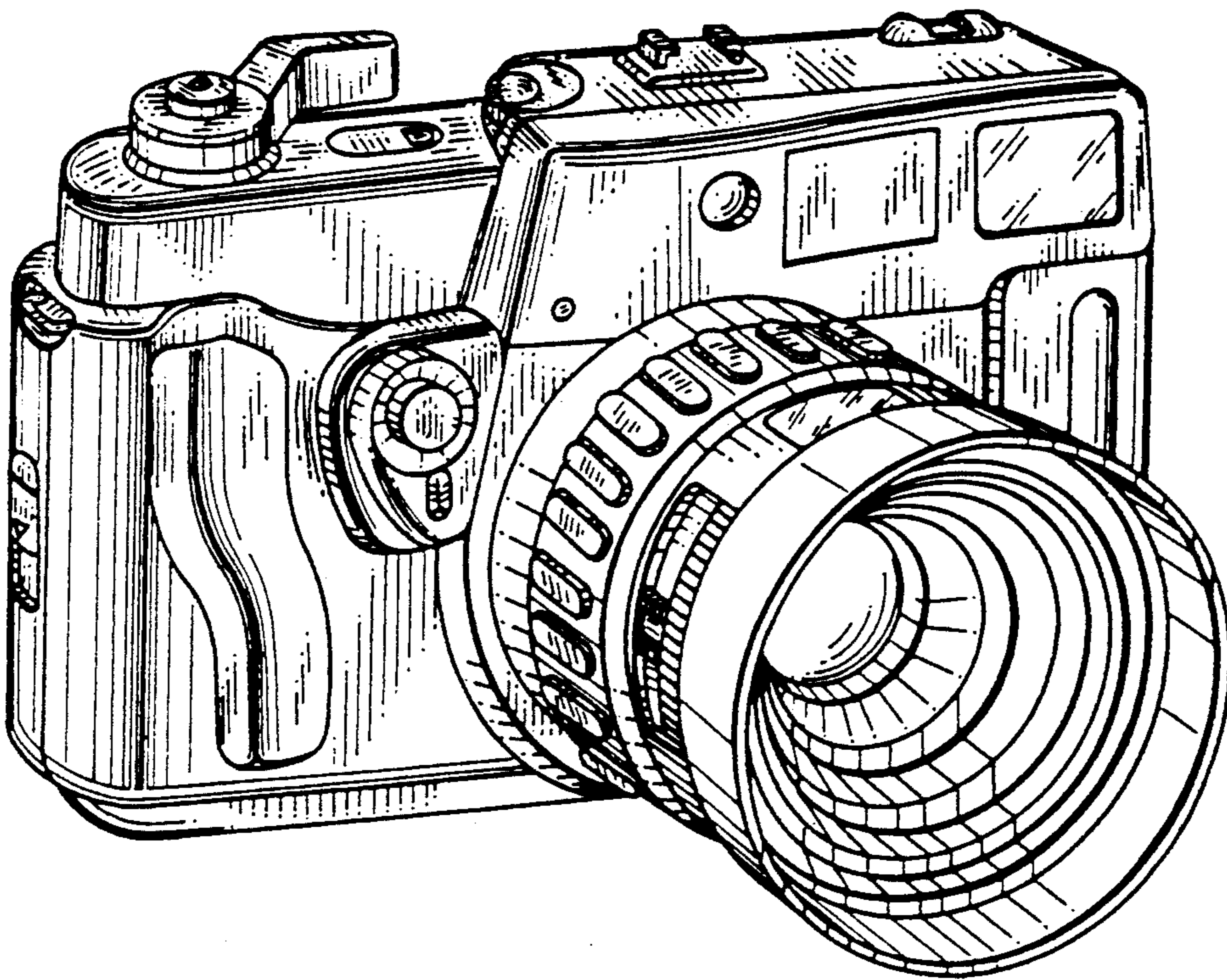


FIG. 1

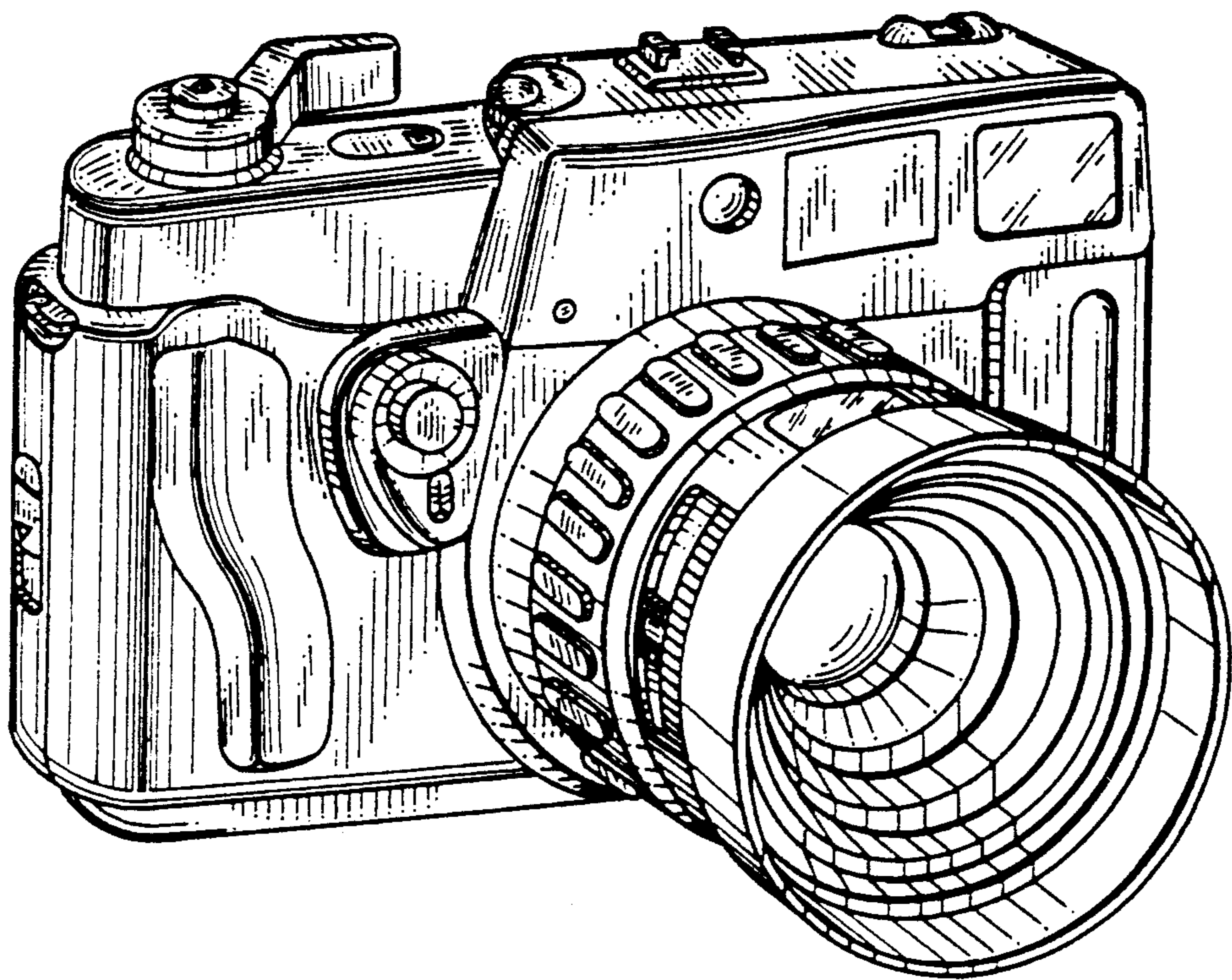


FIG. 2

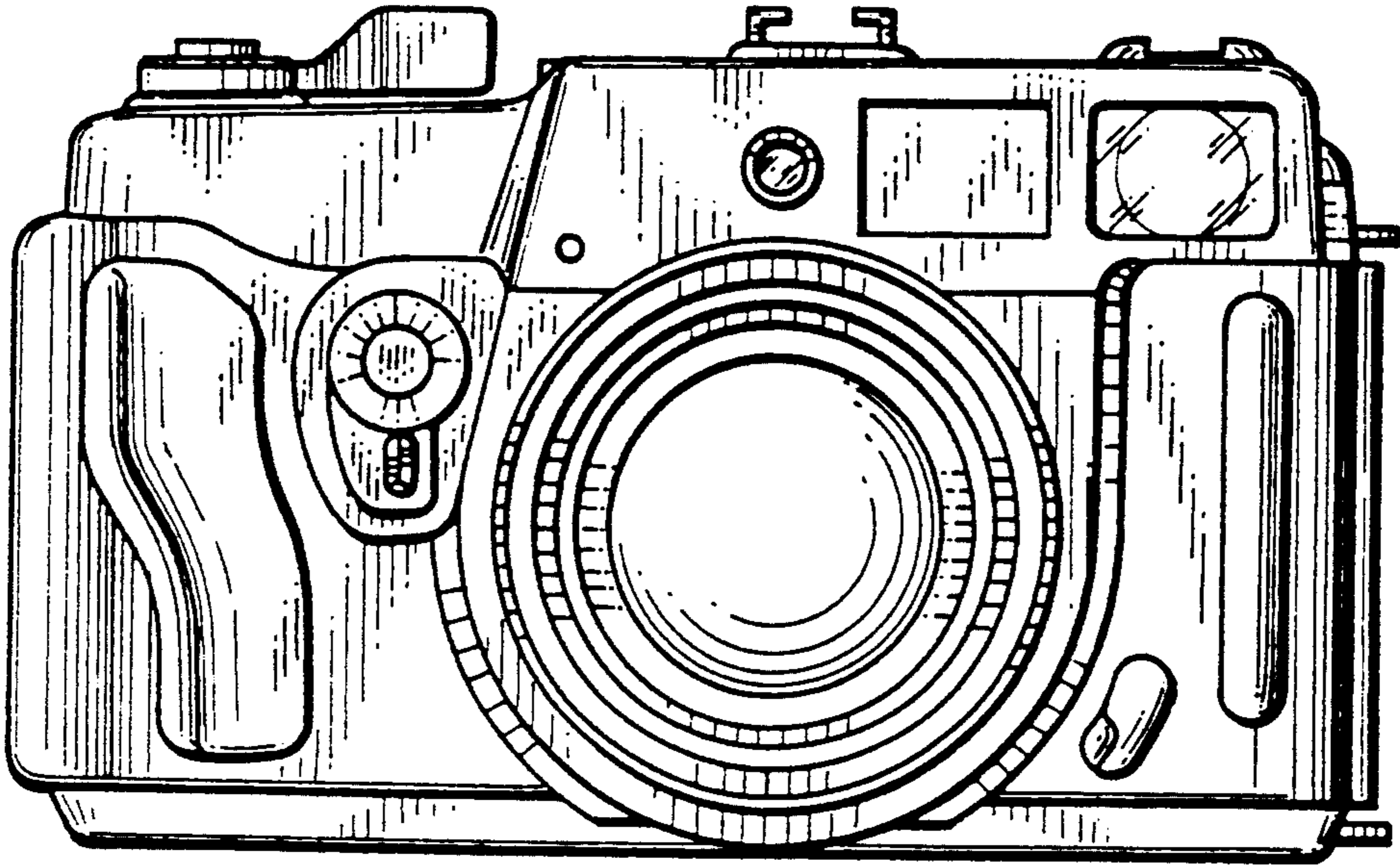


FIG. 3

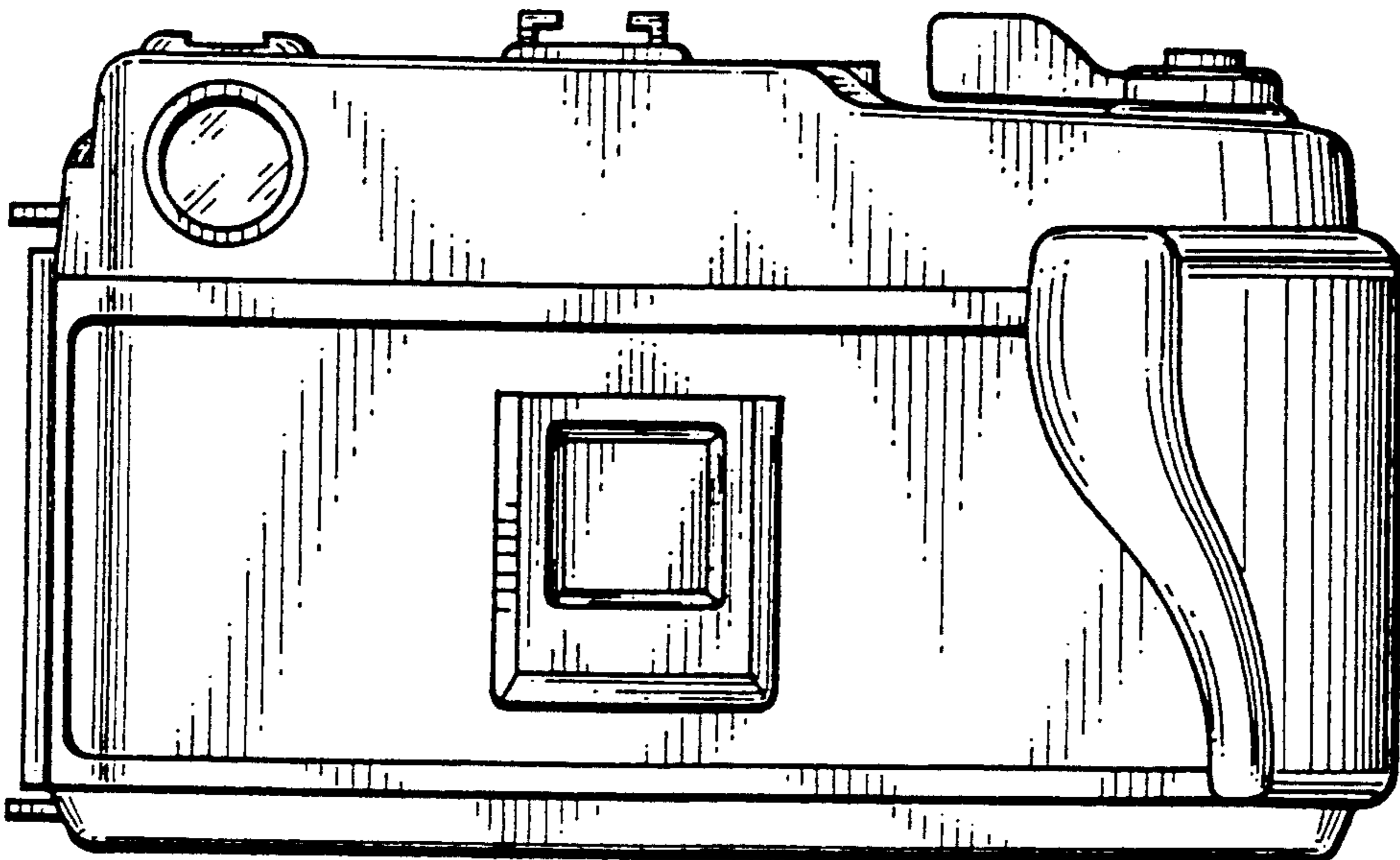


FIG. 4

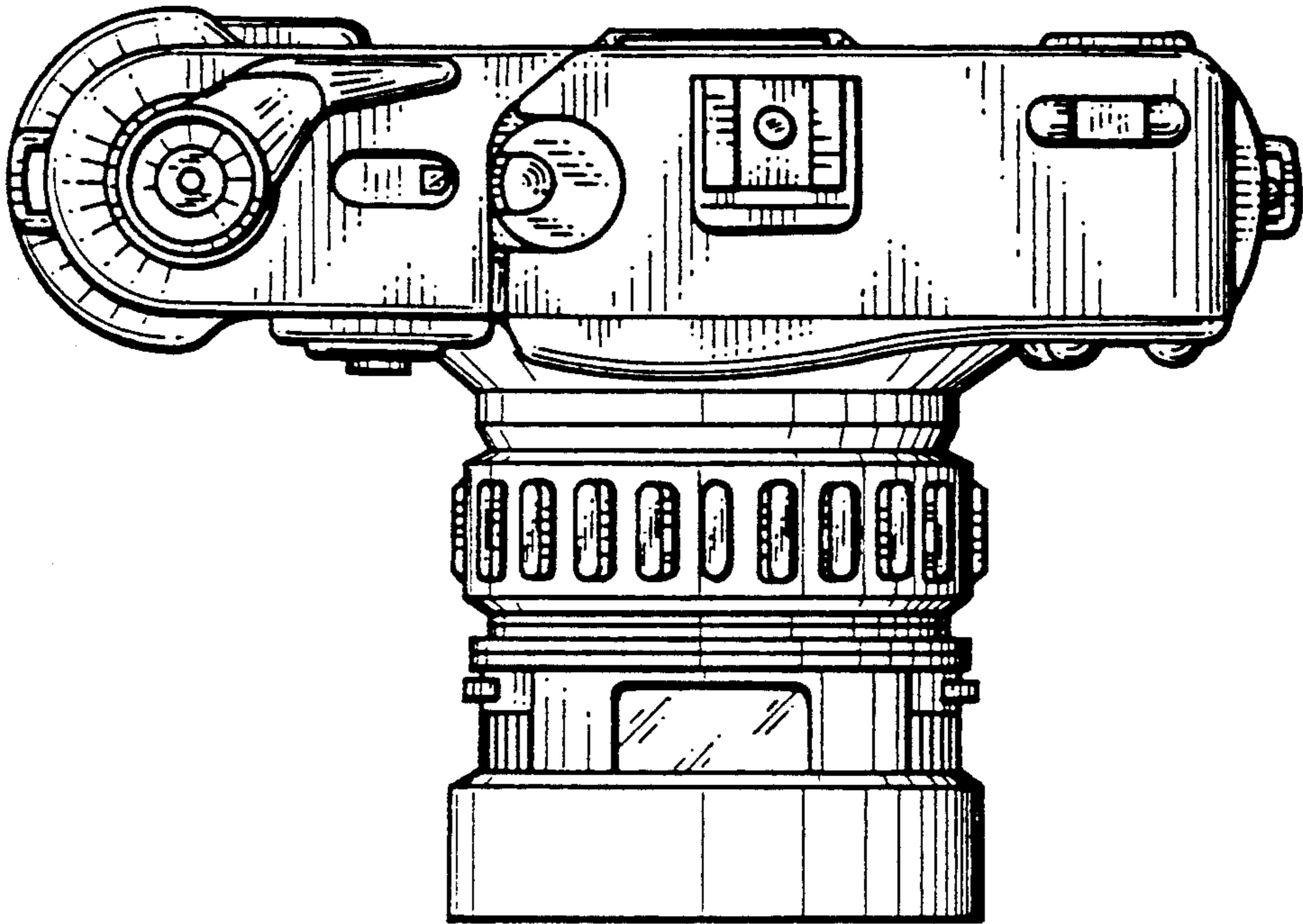


FIG. 5

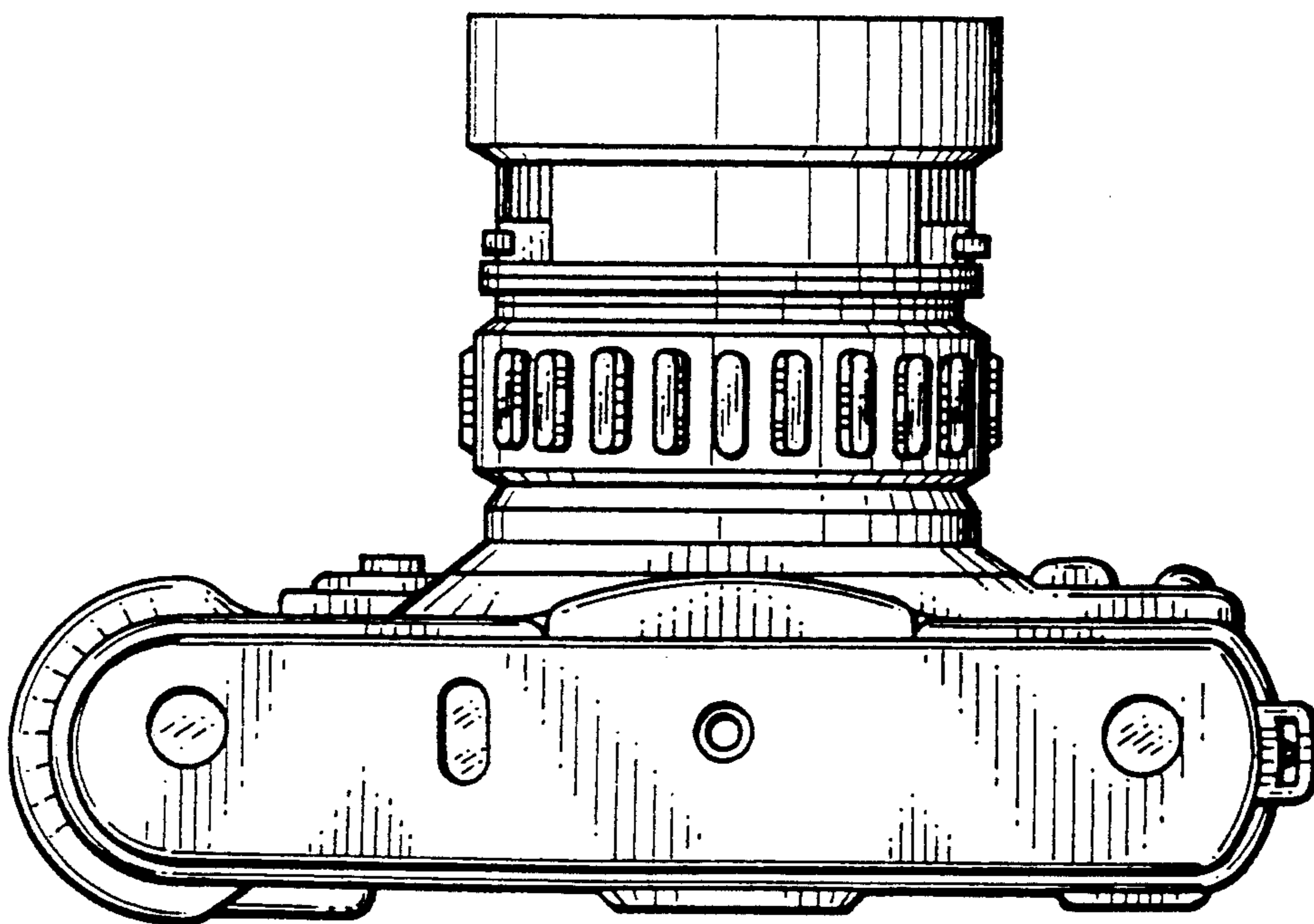


FIG. 6

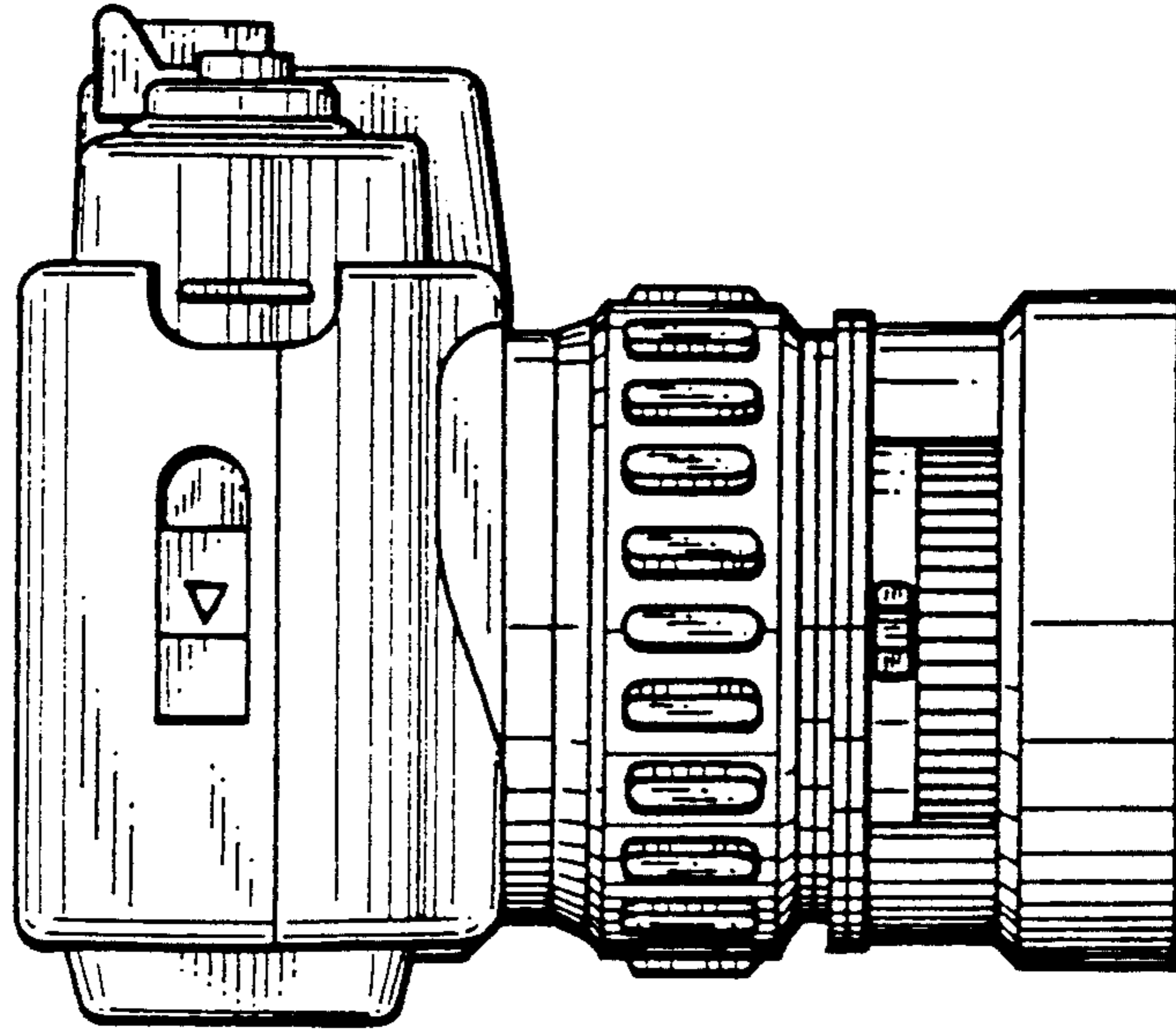


FIG. 7

