



US00D341150S

United States Patent [19]

[11] Patent Number: **Des. 341,150**

Seegmiller

[45] Date of Patent: **** Nov. 9, 1993**

[54] **OIL CHANGE APPARATUS**

[76] Inventor: **Richard Seegmiller**, 1115 Sherman Cir., St. George, Utah 84770

[**] Term: **14 Years**

[21] Appl. No.: **868,268**

[22] Filed: **Apr. 6, 1992**

[52] U.S. Cl. **D15/150; D7/700**

[58] Field of Search **D15/150, 151, 152; D7/700; 123/190 R, 198 DB; 141/231, 331-349, 383, 382, 391, 392, 351, 353, 354, 311 A, 312, 98; 184/1.5, 109; 206/223; 220/86.1, 86.2**

D. 147,737	10/1947	Stone	D7/700
D. 329,655	9/1992	Bonnell	D7/700 X
557,876	4/1896	Poston	141/335 X
4,730,652	3/1988	Bartholomew	220/86.2 X
4,823,848	4/1989	Sentmore, Sr. et al.	141/334

Primary Examiner—Alan P. Douglas
Assistant Examiner—Antoine D. Davis
Attorney, Agent, or Firm—Hugh E. Smith

[57] **CLAIM**

The ornamental design for a oil change apparatus, as shown and described.

DESCRIPTION

FIG. 1 is a front elevational view of the oil change apparatus showing my new design; FIG. 2 is a rear elevational view thereof; FIG. 3 is a left side elevational view thereof; FIG. 4 is a right side elevational view thereof; FIG. 5 is a top plan view thereof; and, FIG. 6 is a bottom plan view thereof.

[56] **References Cited**

U.S. PATENT DOCUMENTS

D. 28,653	5/1898	Roberts	D15/150
D. 28,654	5/1898	Roberts	D15/150
46,255	2/1865	Lochman	141/336 X

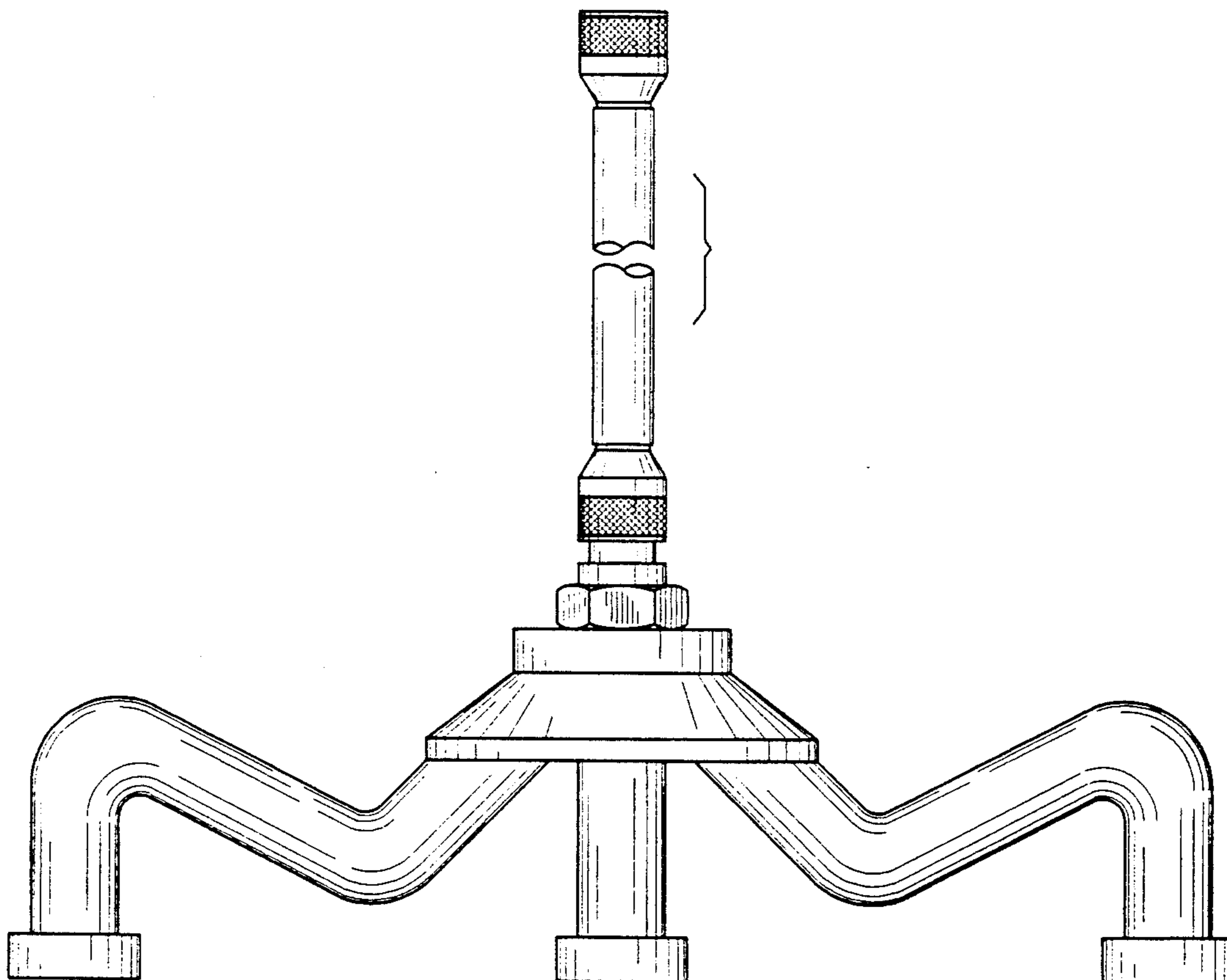


FIG. 1

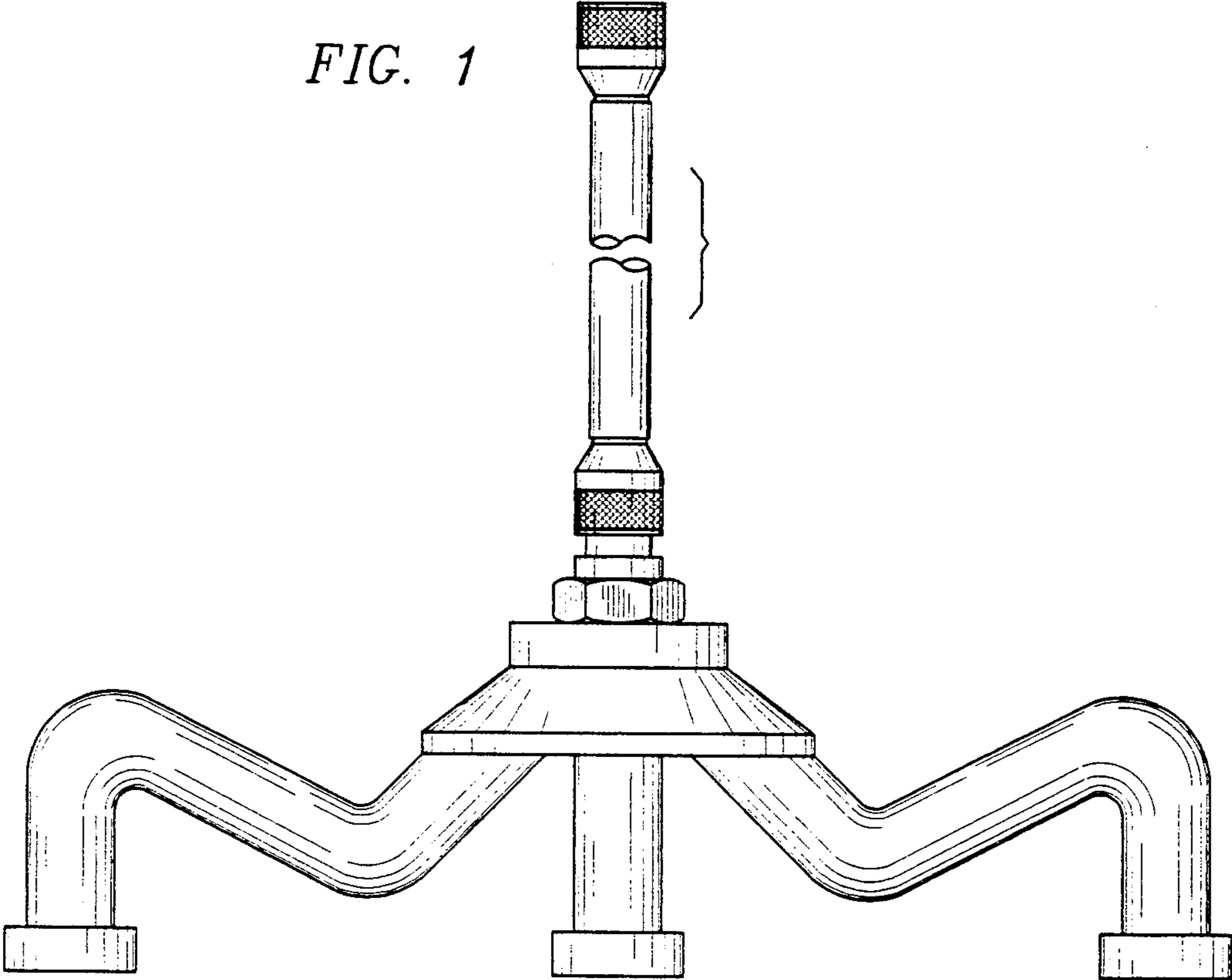


FIG. 2

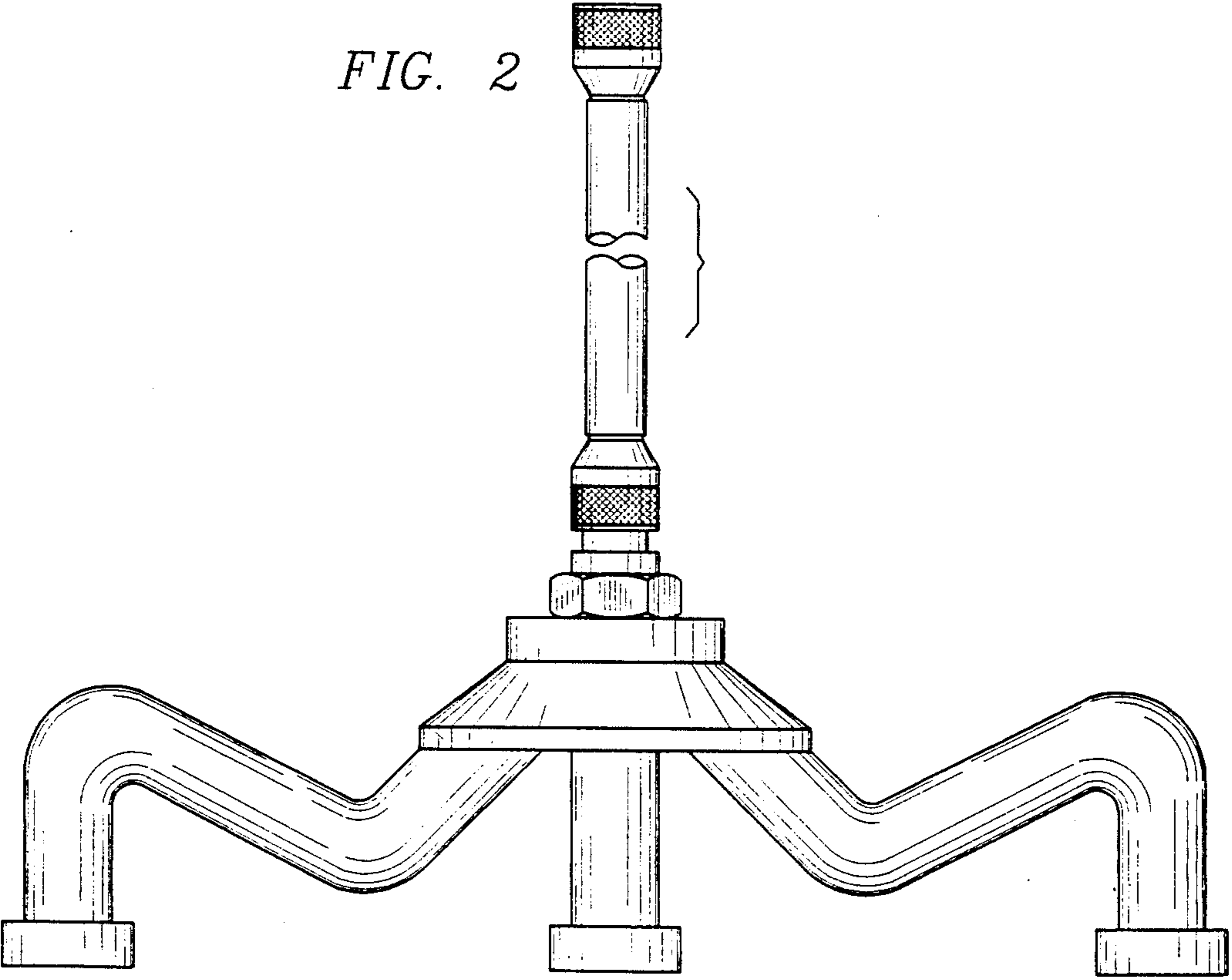


FIG. 3

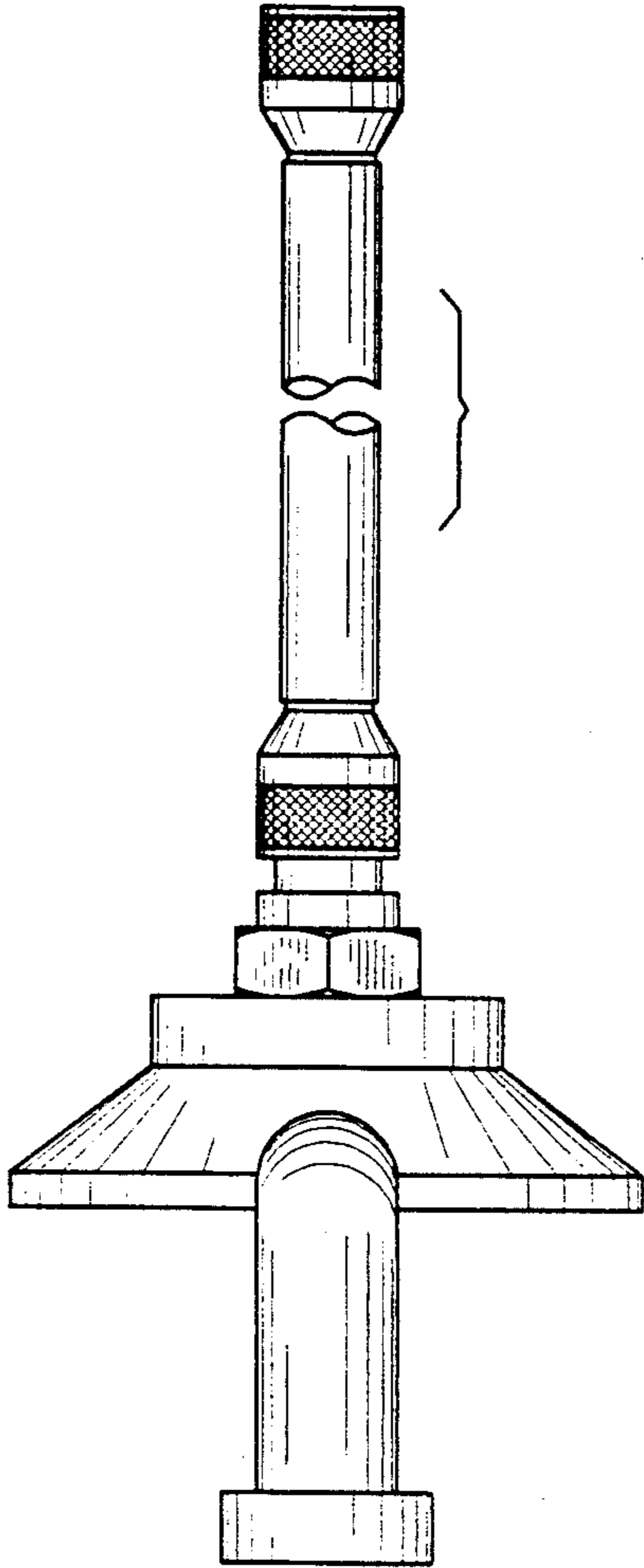


FIG. 4

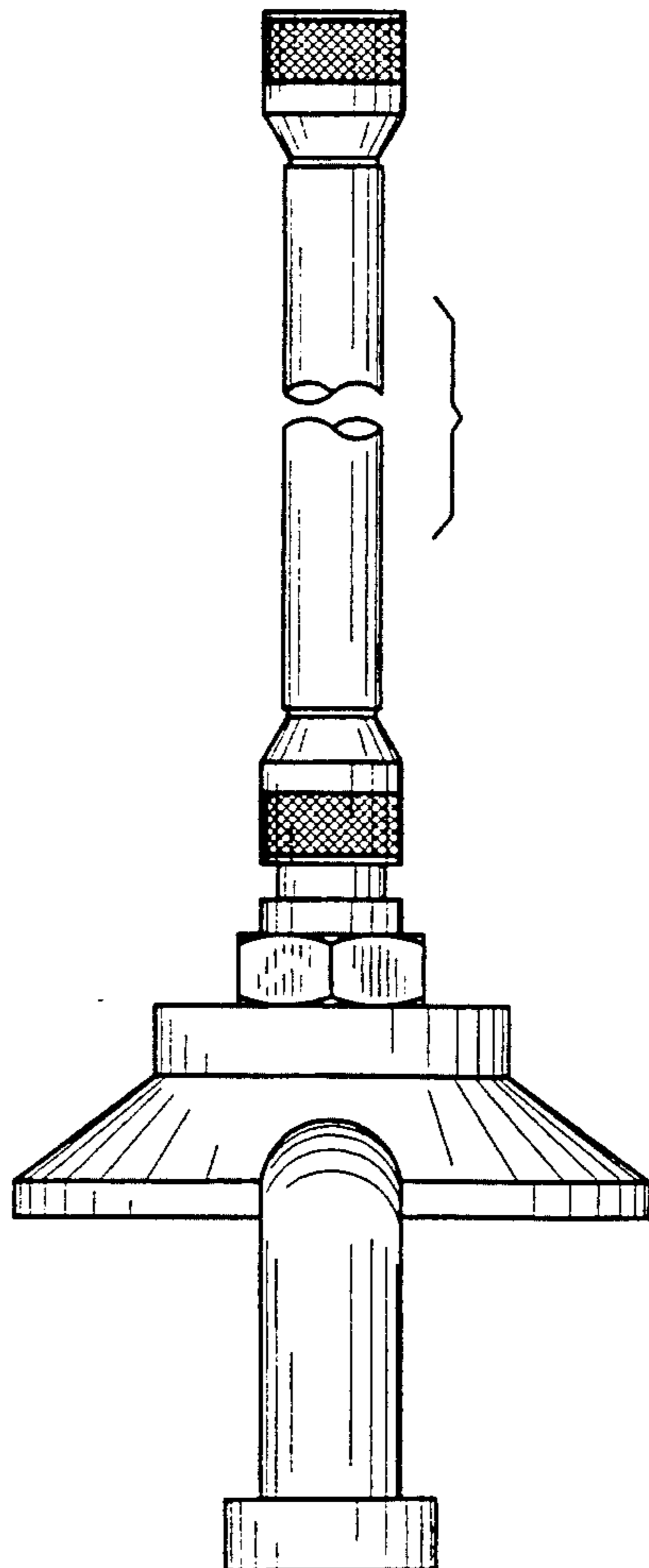


FIG. 5

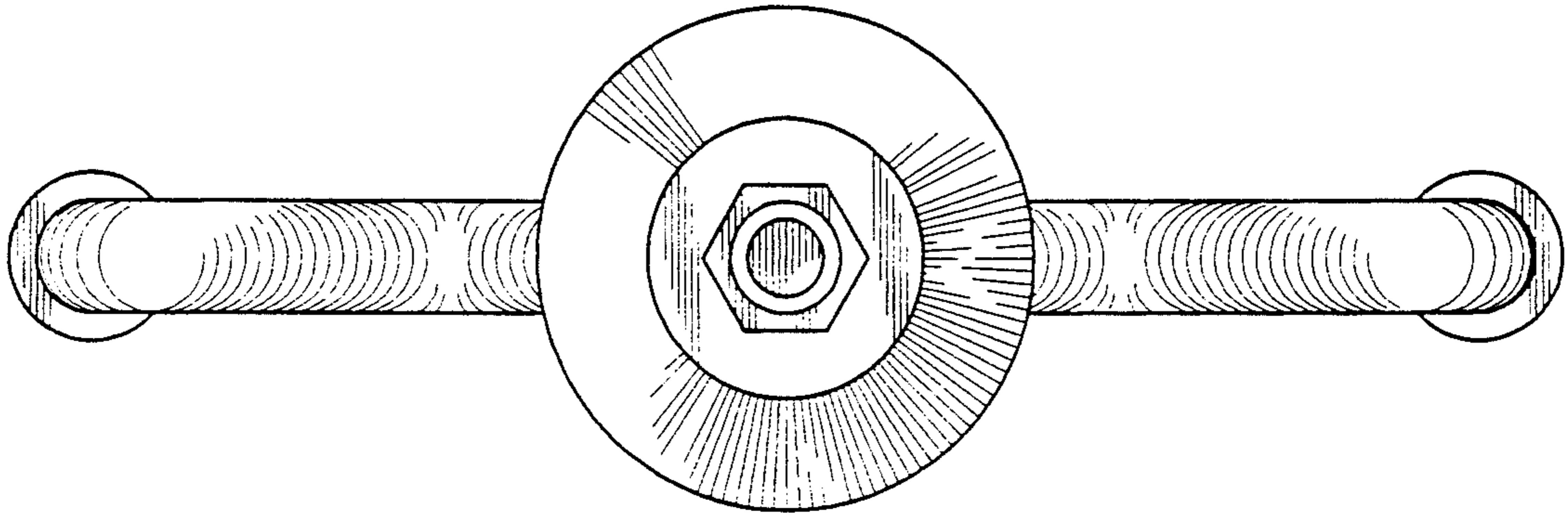


FIG. 6

