



US00D341147S

**United States Patent** [19]  
**Pollak**

[11] **Patent Number: Des. 341,147**  
[45] **Date of Patent: \*\* Nov. 9, 1993**

[54] **FUNNEL**

[75] **Inventor: Louis M. Pollak, Bridgewater, N.J.**

[73] **Assignee: Injectron Corporation, Plainfield, N.J.**

[\*\*] **Term: 14 Years**

[21] **Appl. No.: 859,137**

[22] **Filed: Mar. 27, 1992**

**Related U.S. Application Data**

[63] Continuation-in-part of Ser. No. 831,318, Feb. 5, 1992.

[52] **U.S. Cl. .... D15/150; D7/700**

[58] **Field of Search .... D7/700; D15/150-152, D15/199; D23/200; 141/331, 337, 98**

[56] **References Cited**

**U.S. PATENT DOCUMENTS**

D. 230,629 3/1974 Camp ..... D7/700 X

D. 234,123 1/1975 Ragagli ..... D7/700 X

D. 282,807 3/1986 Hasse ..... D7/700

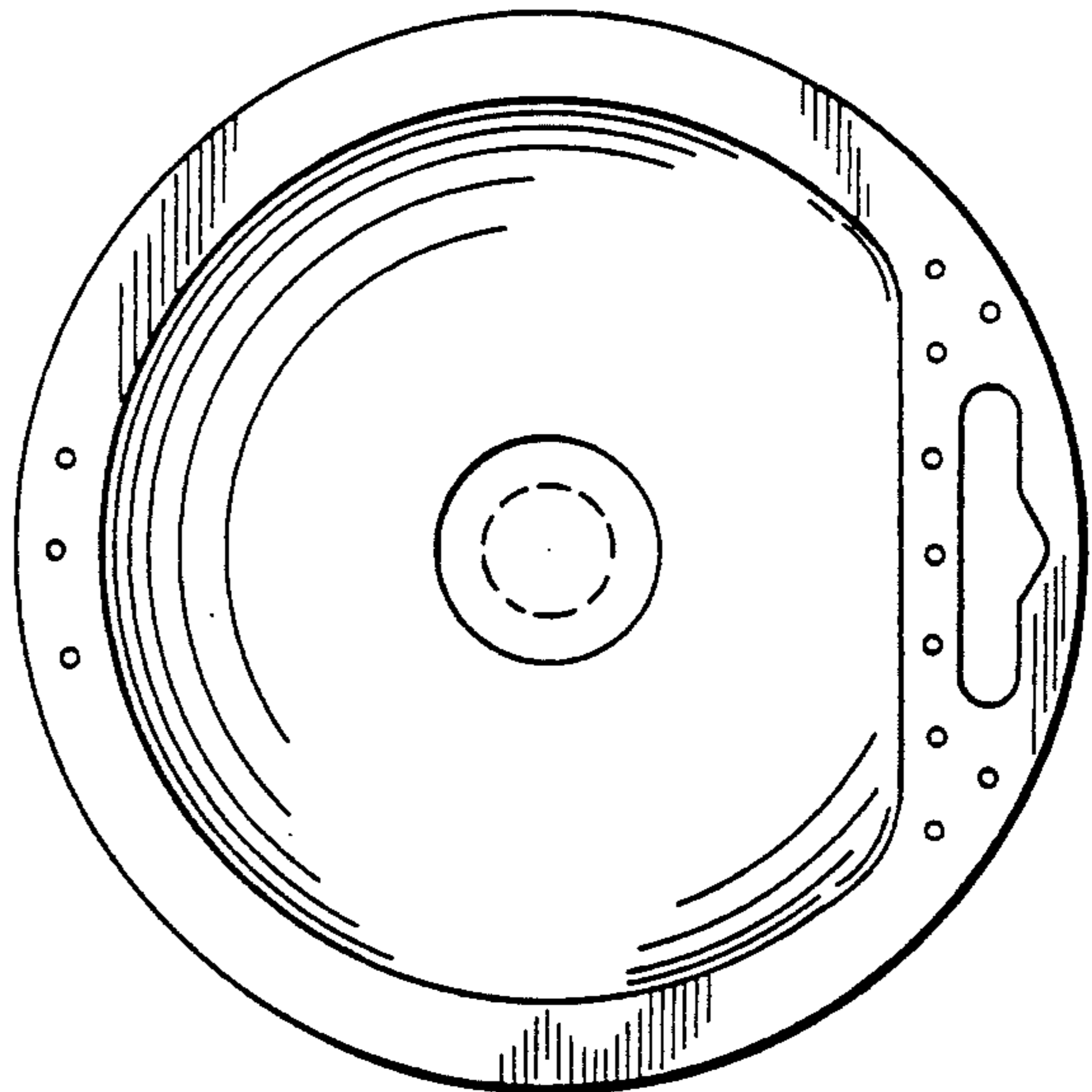
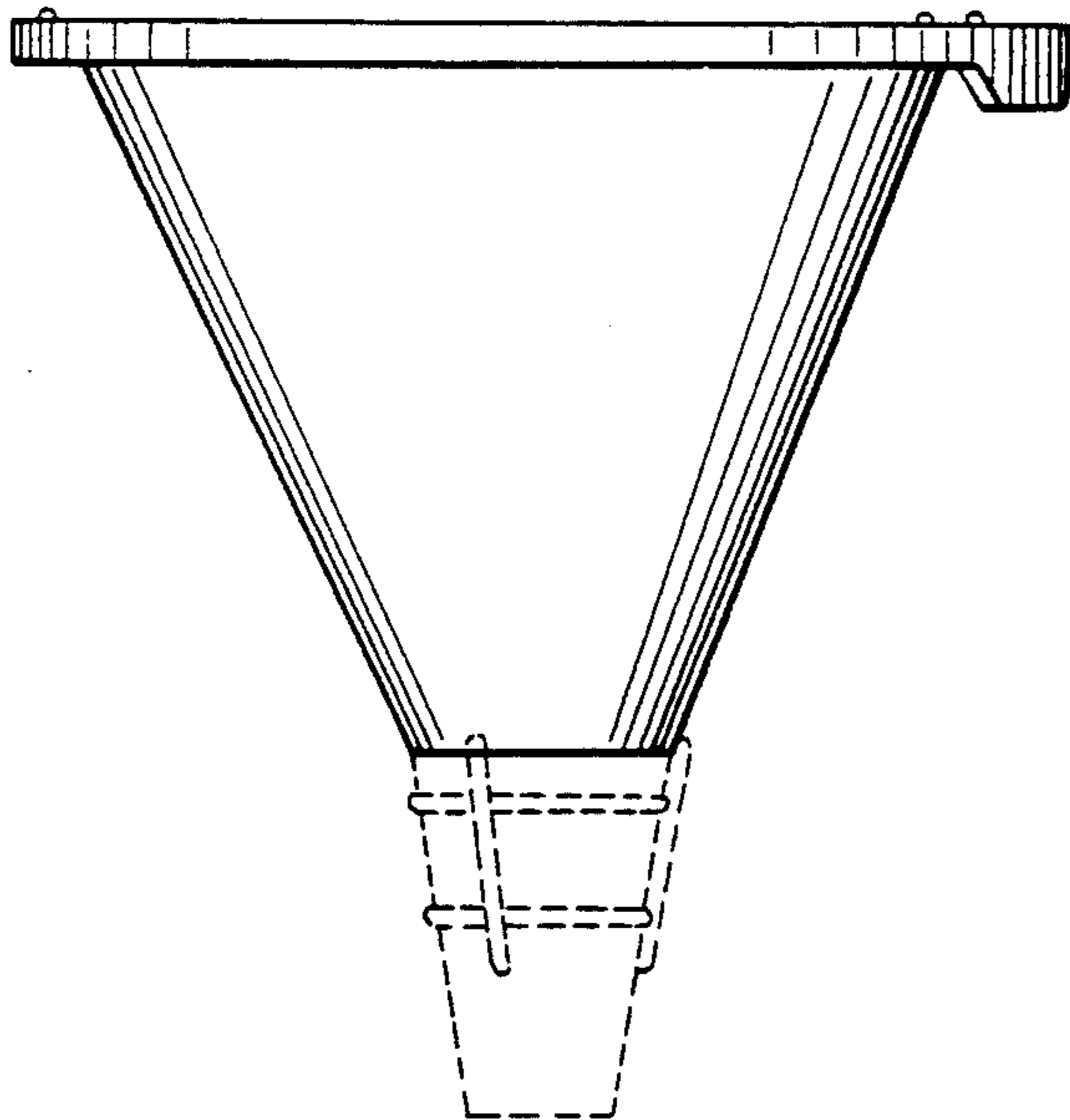
*Primary Examiner*—Terry A. Pfeffer  
*Attorney, Agent, or Firm*—Philip H. Gottfried

[57] **CLAIM**

The ornamental design for a funnel, as shown and described.

**DESCRIPTION**

FIG. 1 is a front elevational view of the funnel showing my new design, the opposite side being a mirror image; FIG. 2 is a top plan view thereof; FIG. 3 is a right side elevational view thereof; FIG. 4 is a left side elevational view thereof; FIG. 5 is a bottom plan view thereof; FIG. 6 is a front elevational view of an alternate embodiment of FIG. 1, the opposite side being a mirror image; FIG. 7 is a top plan view of FIG. 6; FIG. 8 is a right side elevational view of FIG. 6; FIG. 9 is a left side elevational view of FIG. 6; FIG. 10 is a bottom plan view of FIG. 6; FIG. 11 is a front elevational view of an alternate embodiment of FIG. 1, the opposite side being a mirror image; FIG. 12 is a top plan view of FIG. 11; FIG. 13 is a right side elevational view of FIG. 11; FIG. 14 is a left side elevational view of FIG. 11; and, FIG. 15 is a bottom plan view of FIG. 11. The bottom portion of the funnel is shown in broken lines for illustrative purposes.



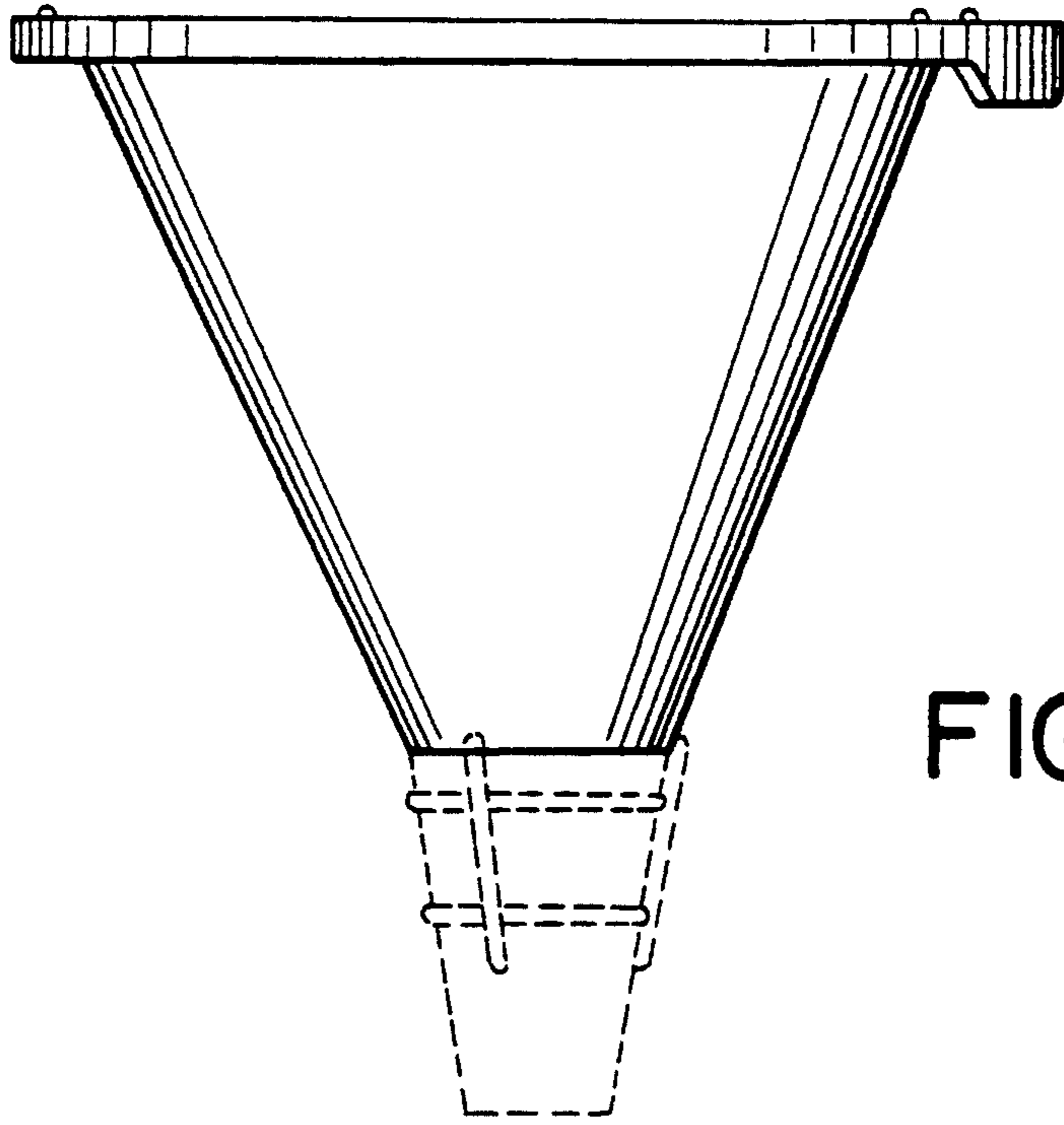


FIG. 1

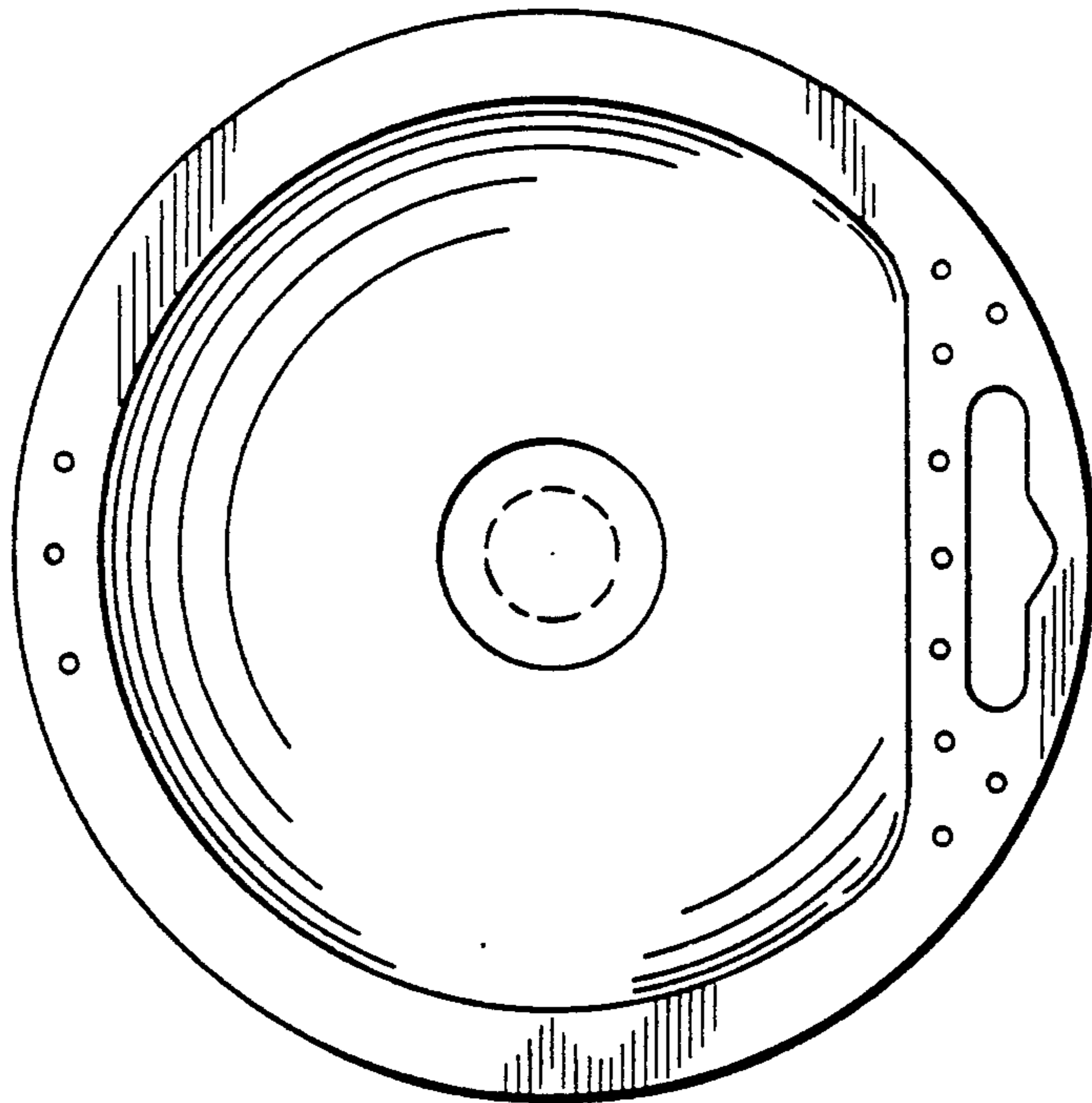


FIG. 2

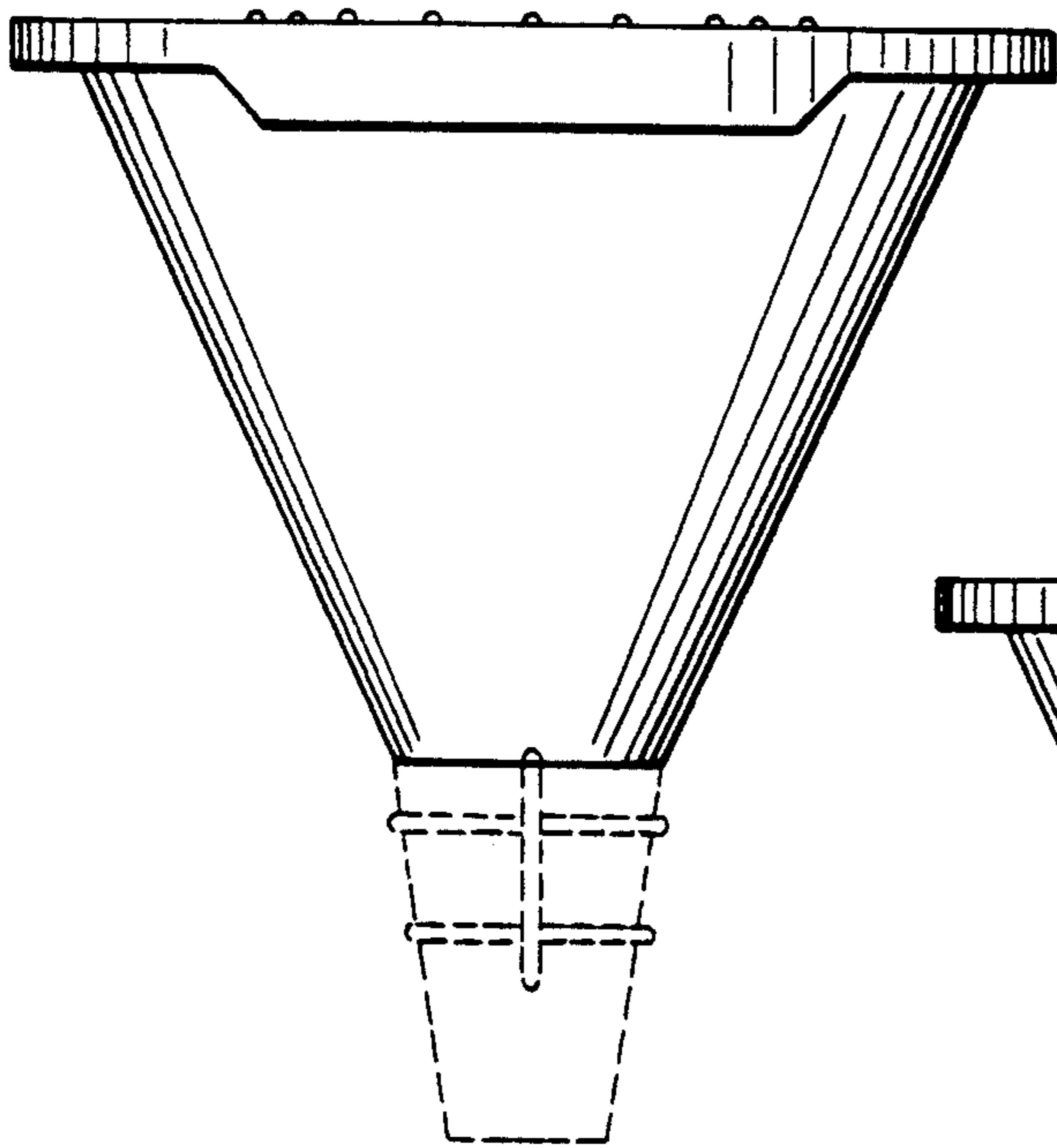


FIG. 3

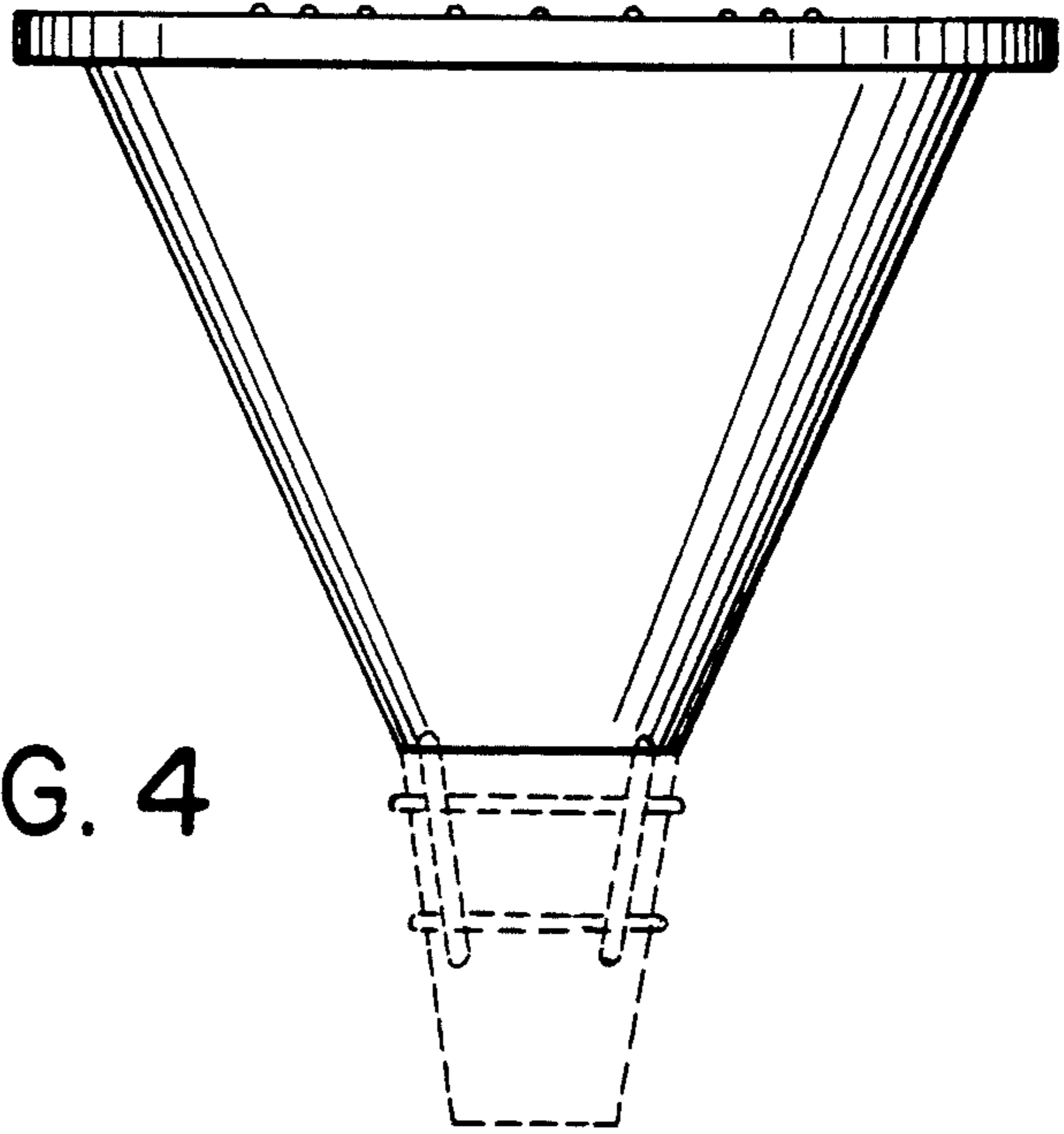


FIG. 4

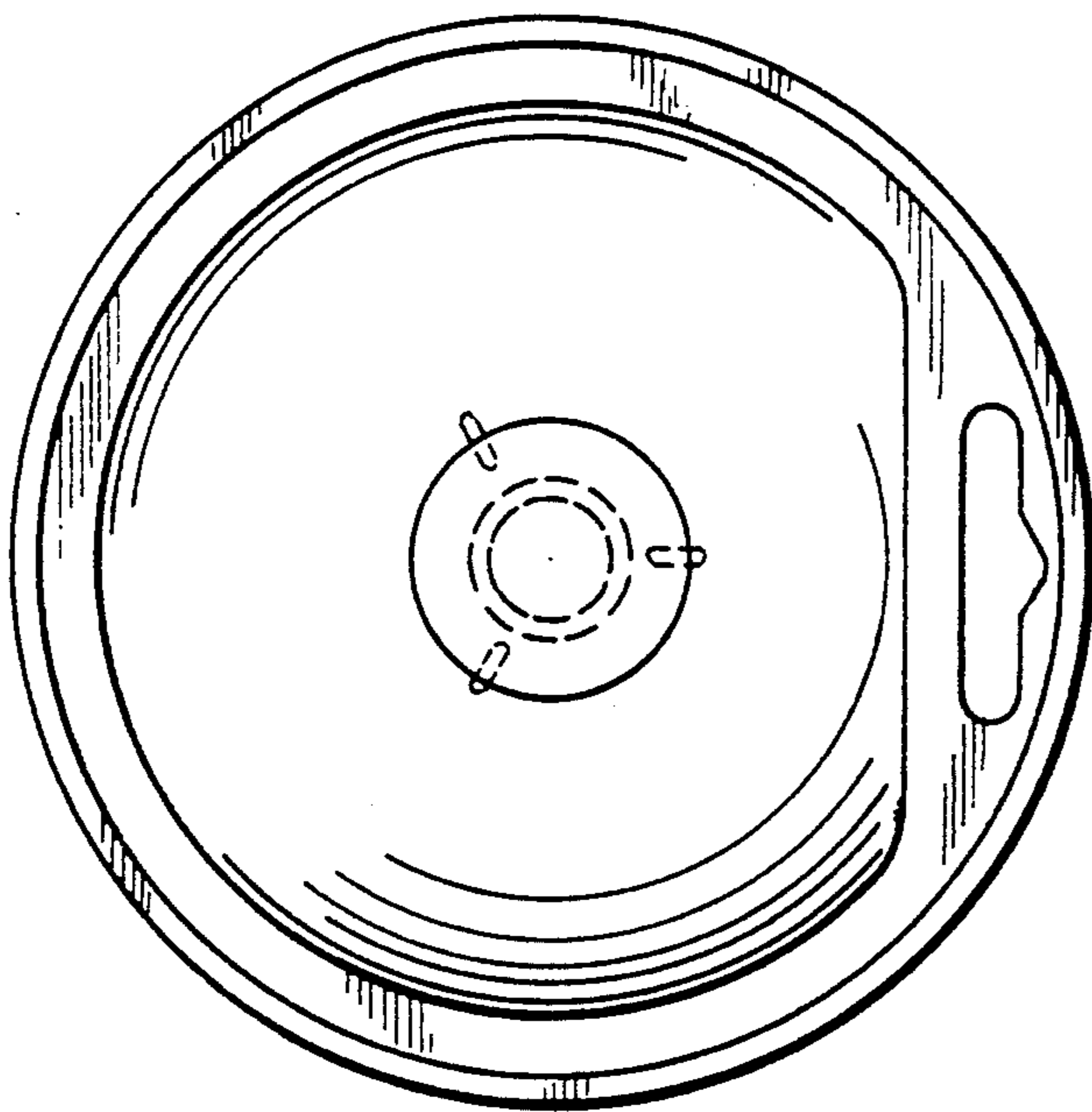


FIG 5

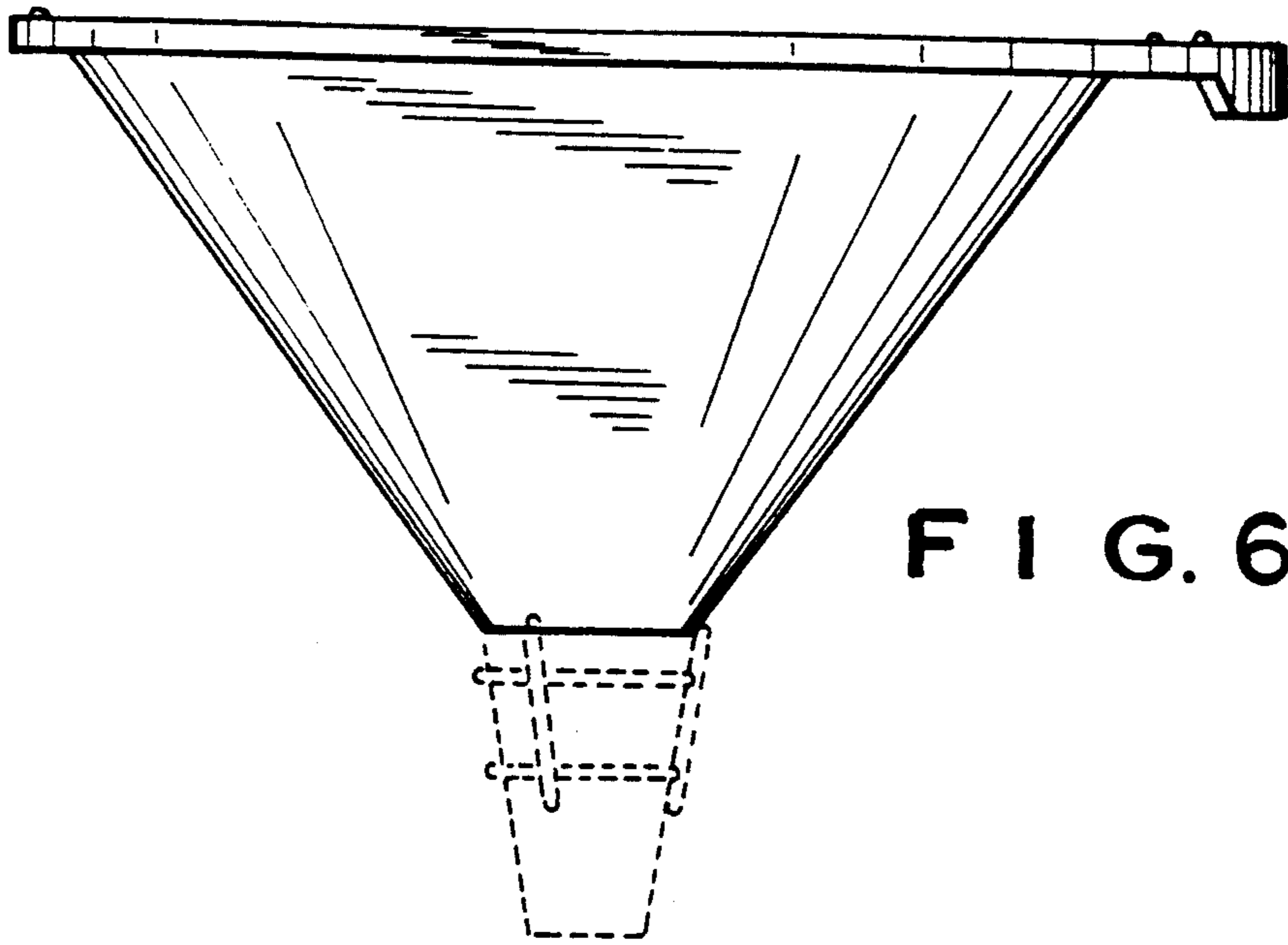


FIG. 6

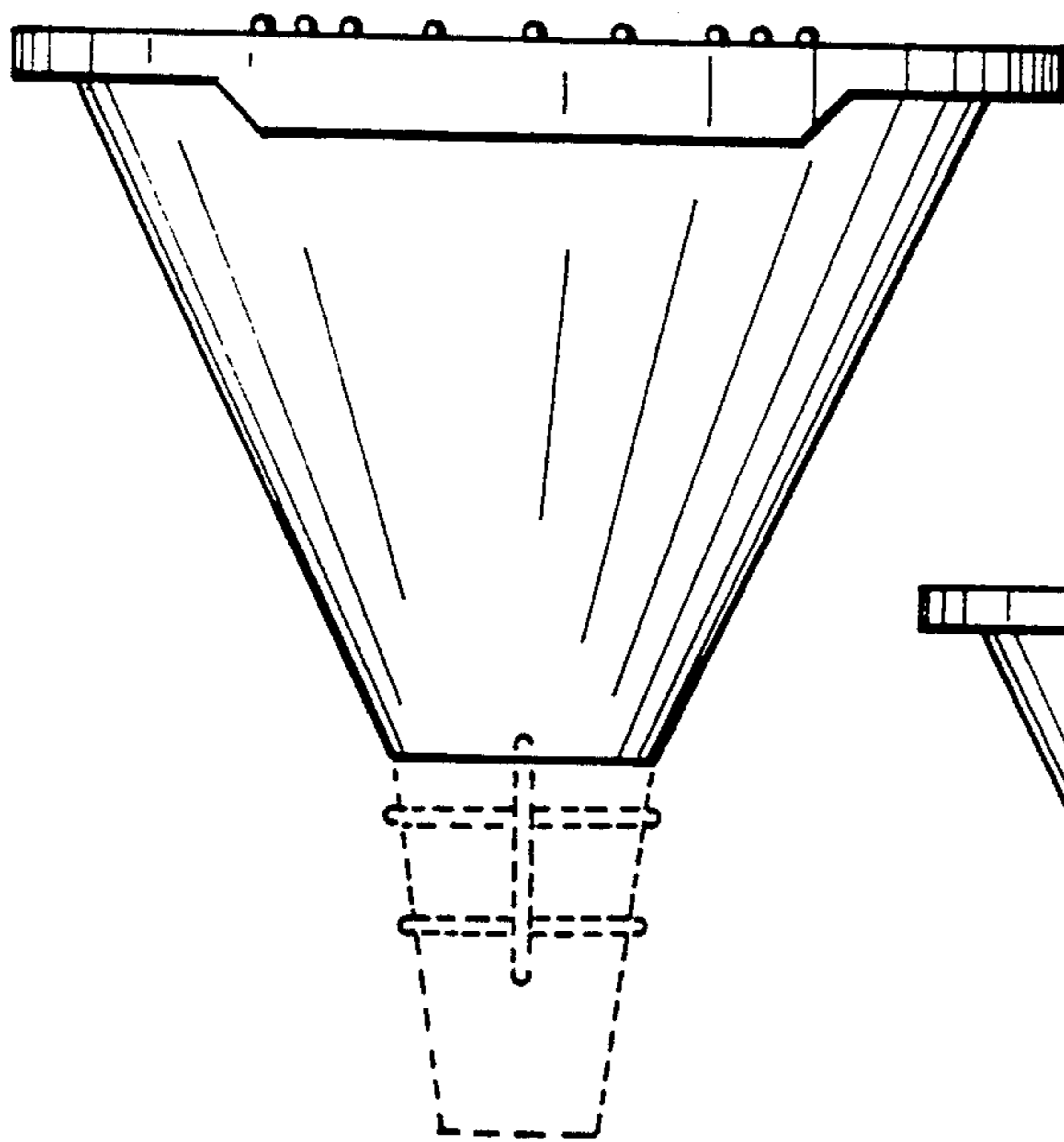


FIG. 8

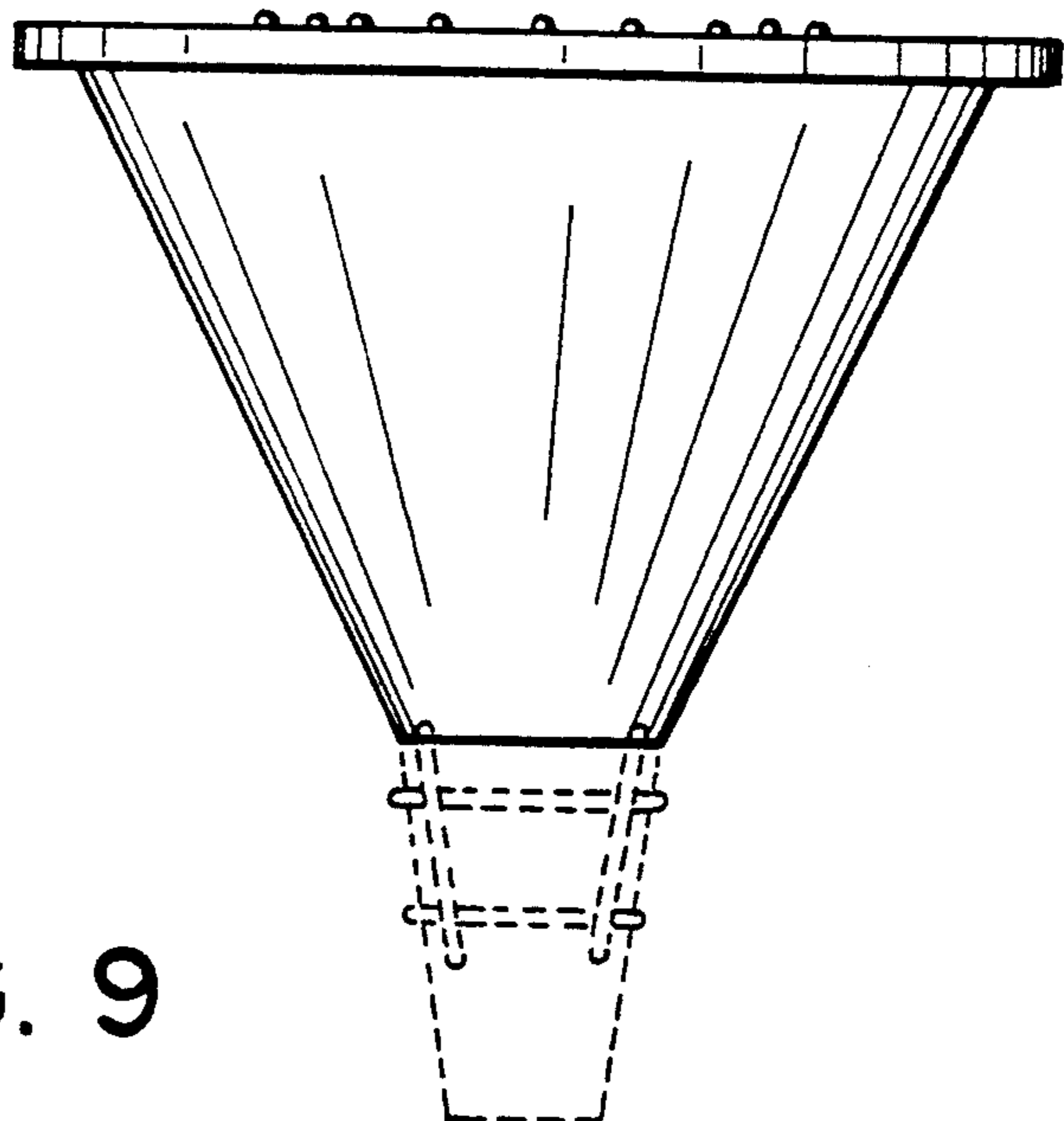


FIG. 9

FIG. 7

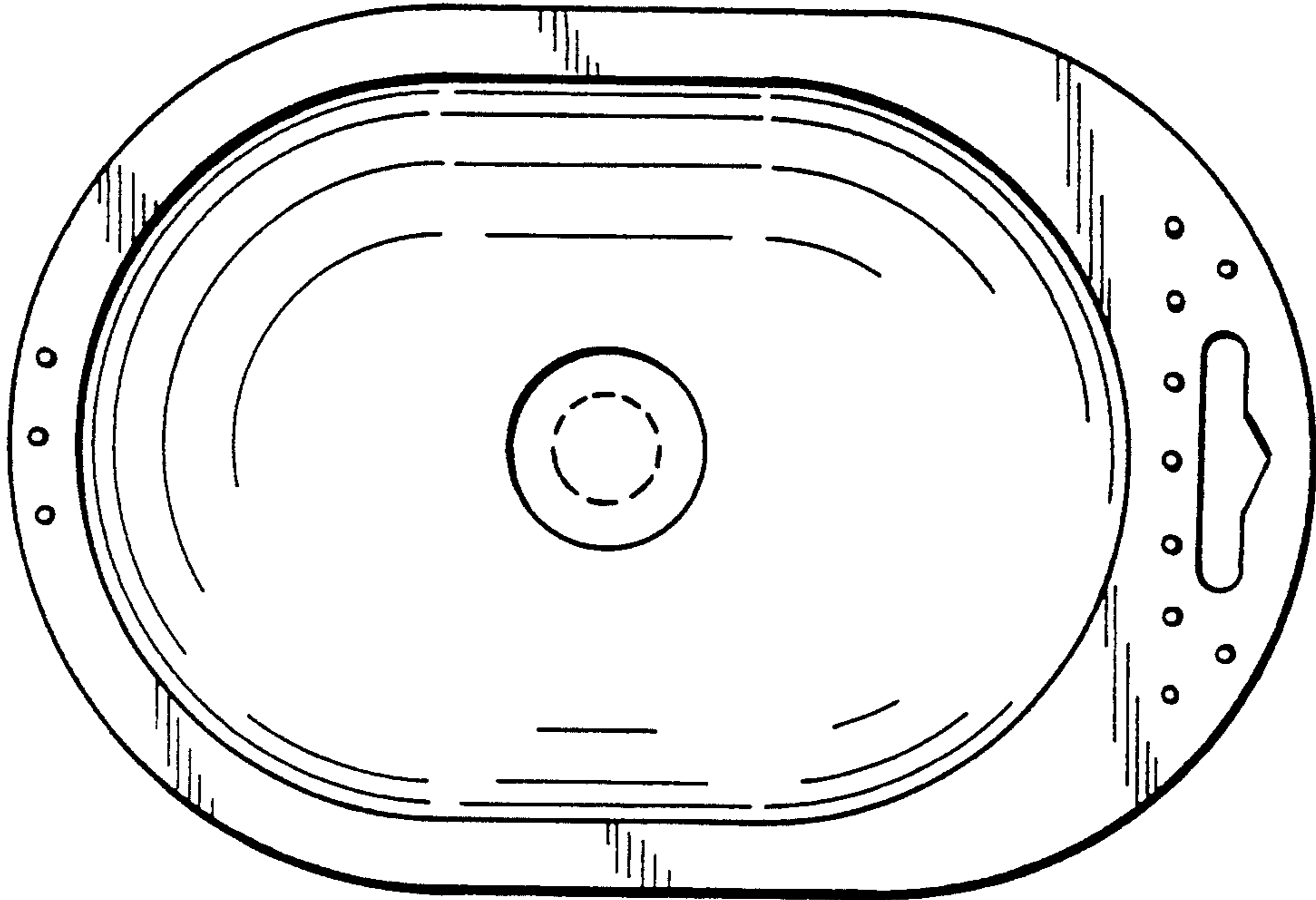
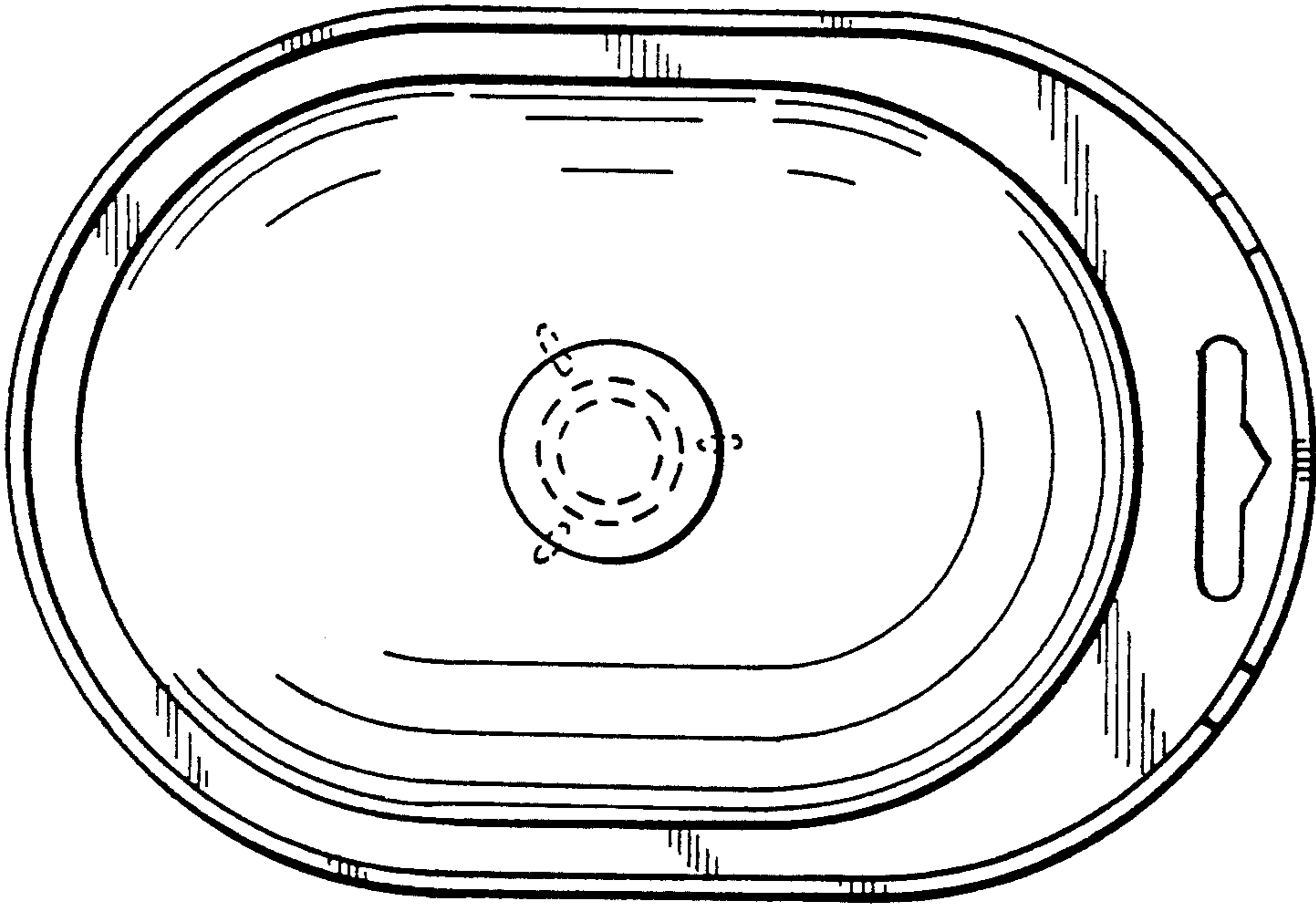


FIG. 10



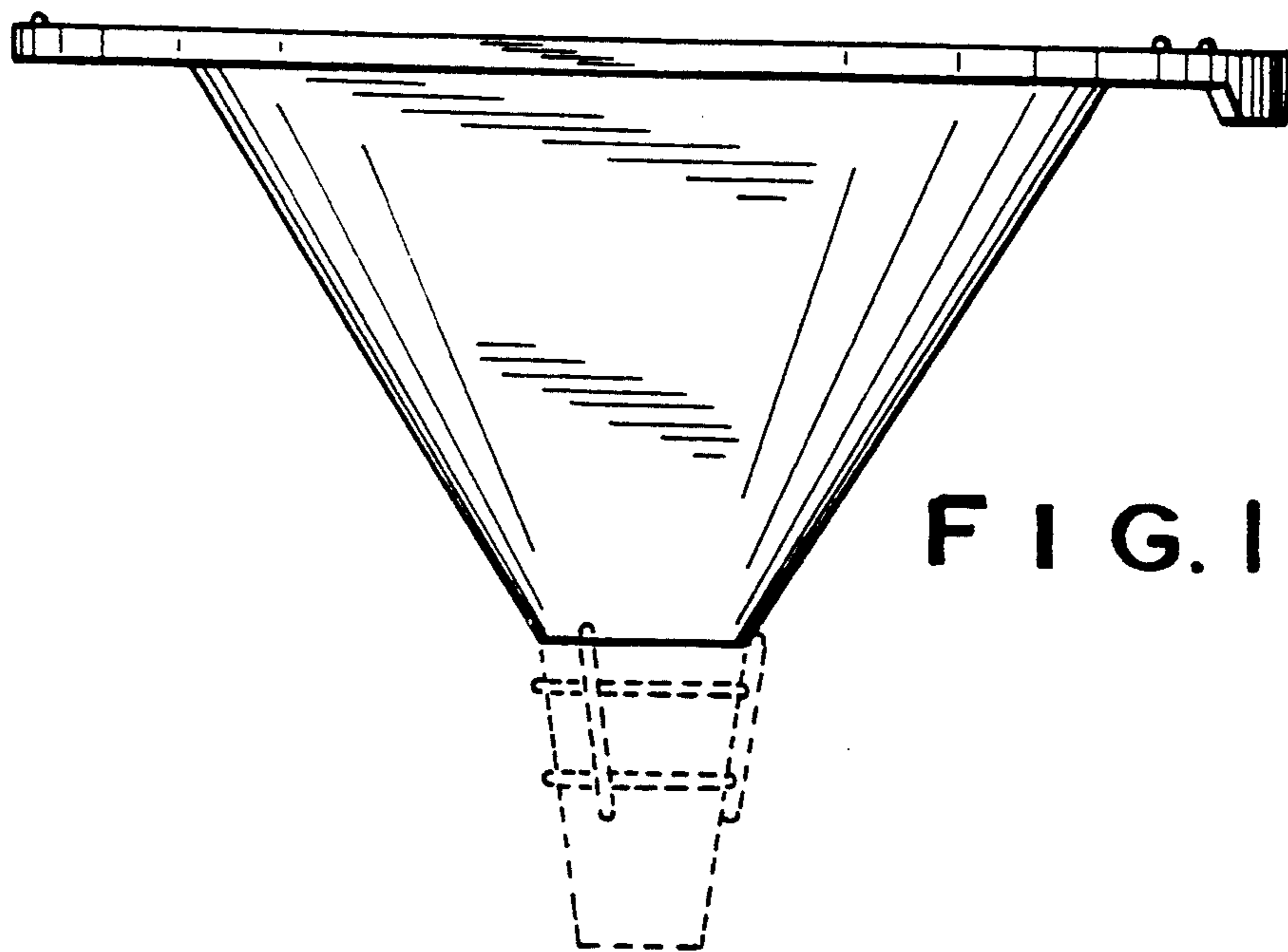


FIG. 11

FIG. 13

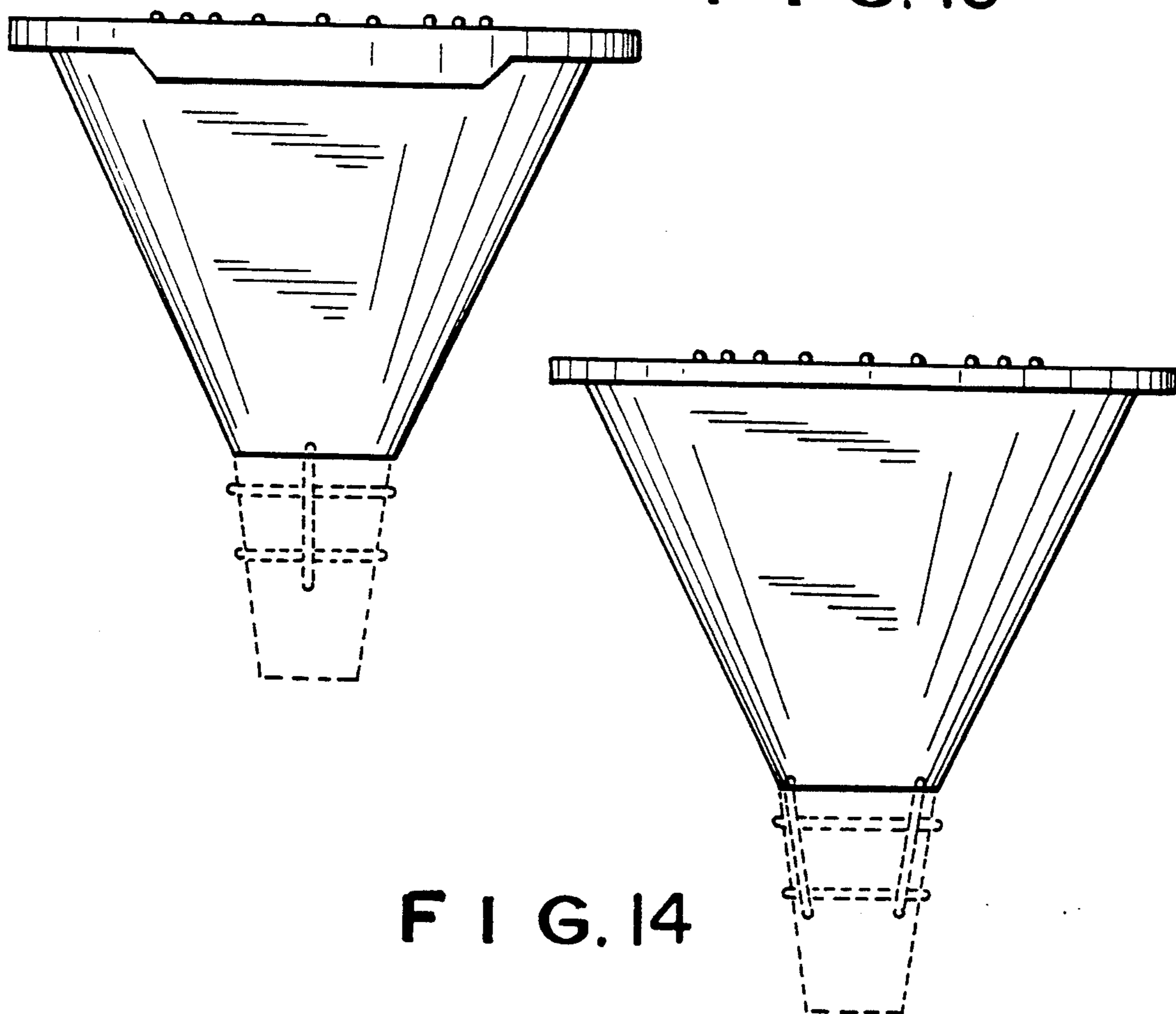
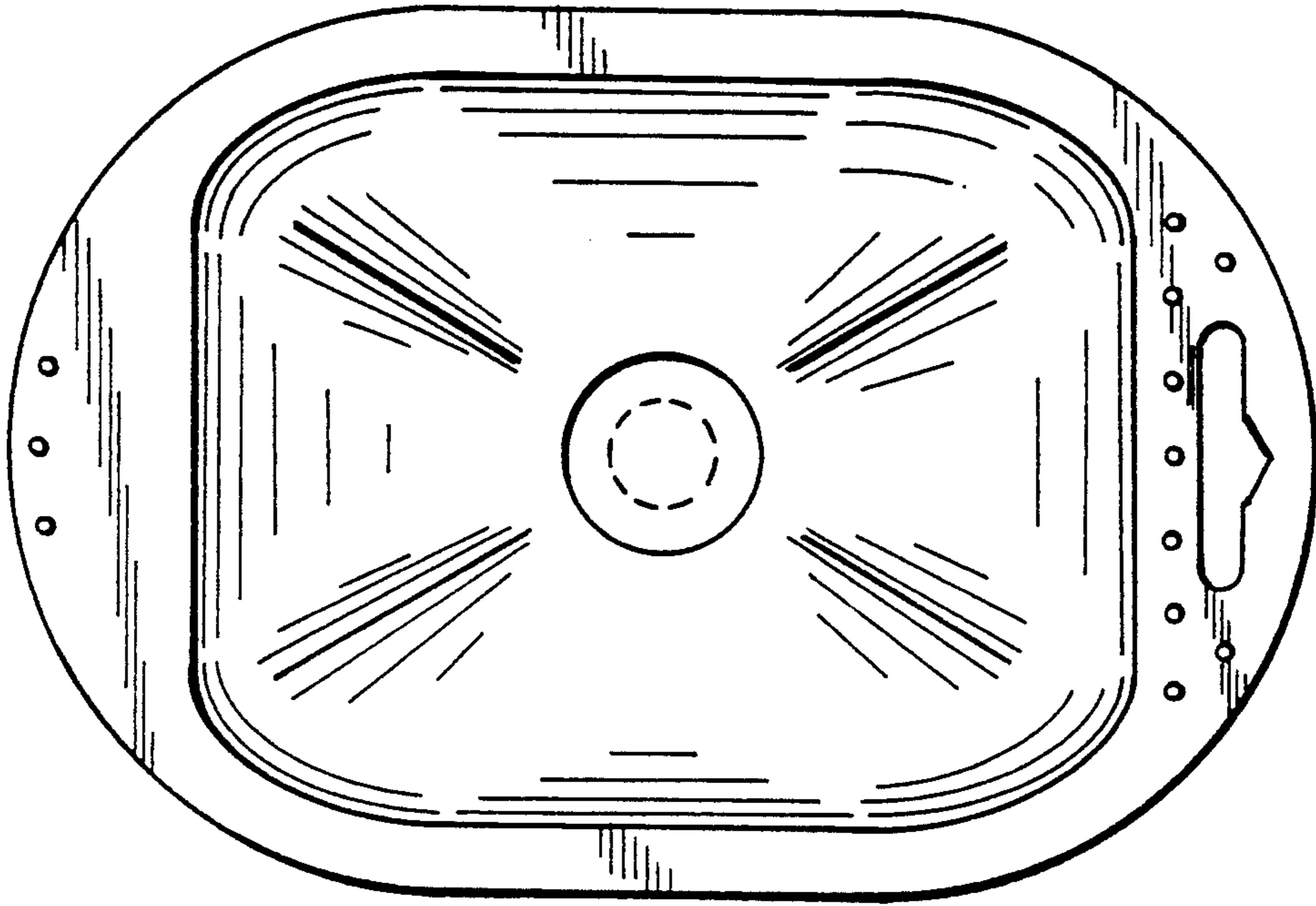


FIG. 14

**F I G . 1 2**



**F I G . 1 5**

