



US00D341145S

United States Patent [19]

[11] Patent Number: **Des. 341,145**

Esworthy

[45] Date of Patent: **** Nov. 9, 1993**

[54] **BUSHING**

[76] Inventor: **S. James Esworthy**, 17425 Chatsworth St., #206, Granada Hills, Calif. 91344

[**] Term: **14 Years**

[21] Appl. No.: **948,767**

[22] Filed: **Sep. 14, 1992**

[52] U.S. Cl. **D15/143**

[58] Field of Search **D15/143; 384/271, 272, 384/273, 275, 584, 538**

[56] **References Cited**

U.S. PATENT DOCUMENTS

D. 214,338	6/1969	Stone	D15/143
2,142,574	1/1939	Murden	384/538
3,009,747	11/1961	Pitzer	384/272

OTHER PUBLICATIONS

Talide; Talide Drill Jig Bushings; Jun. 1, 1975; p. 64; XR D15/143.

Manhattan Industries & Supply Co.; Head Press Fit Bushings; ©1984; p. 75; XR D15/143.

Primary Examiner—Alan P. Douglas
Assistant Examiner—Antoine D. Davis
Attorney, Agent, or Firm—Allan M. Shapiro

[57] **CLAIM**

The ornamental design for a bushing, as shown and described.

DESCRIPTION

FIG. 1 is a front perspective view of a bushing, showing my new design;
FIG. 2 is a side elevational view thereof;
FIG. 3 is a rear end elevational view thereof;
FIG. 4 is a front end elevational view thereof;
FIG. 5 is a plan view of one of the two symmetrical halves of the bushing shown in FIGS. 1-4, taken along line 5-5 in FIG. 4;
FIG. 6 is a bottom plan view thereof;
FIG. 7 is a front end view of FIG. 5; and,
FIG. 8 is a rear end view of FIG. 5.

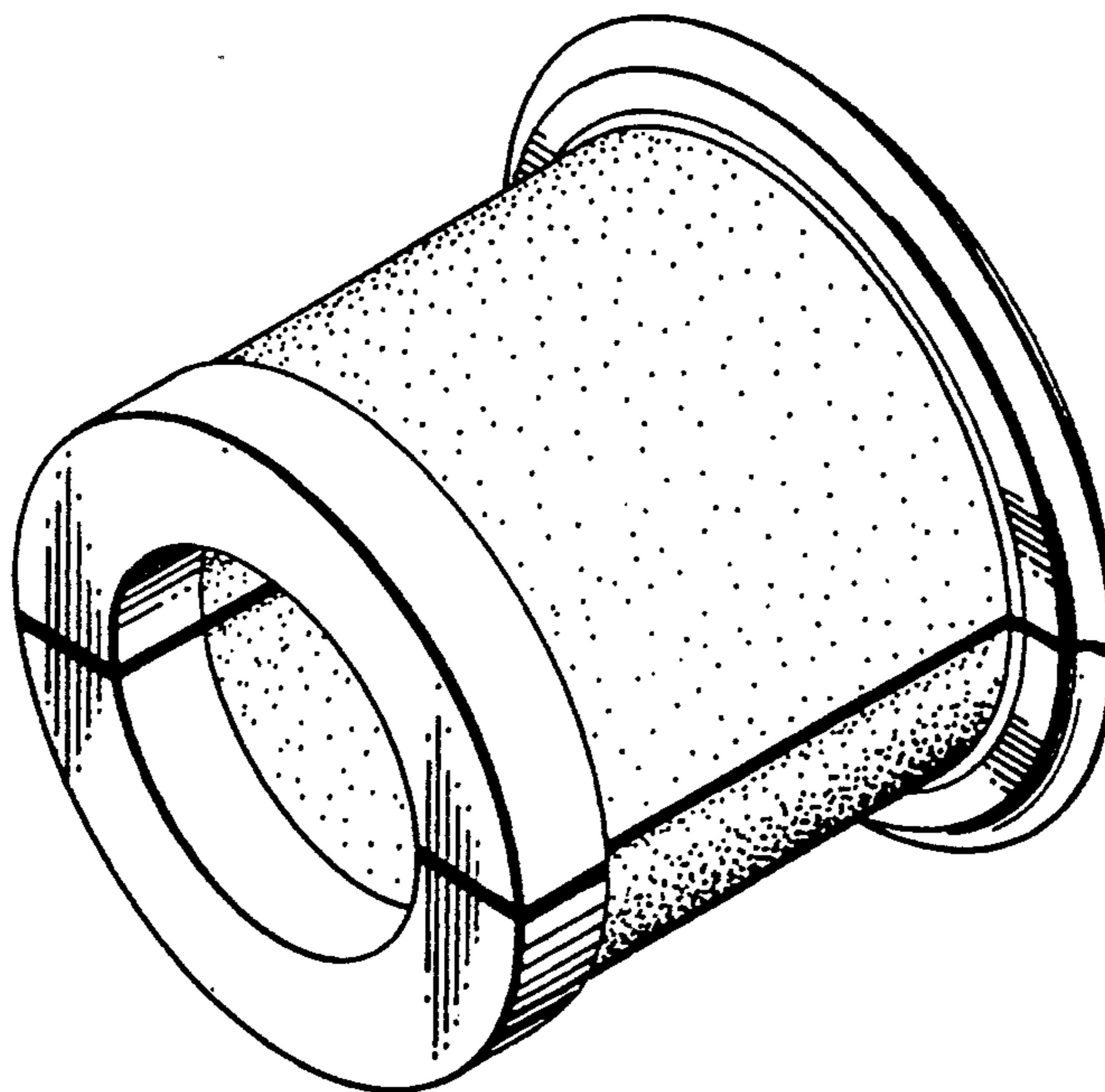


FIG. 1

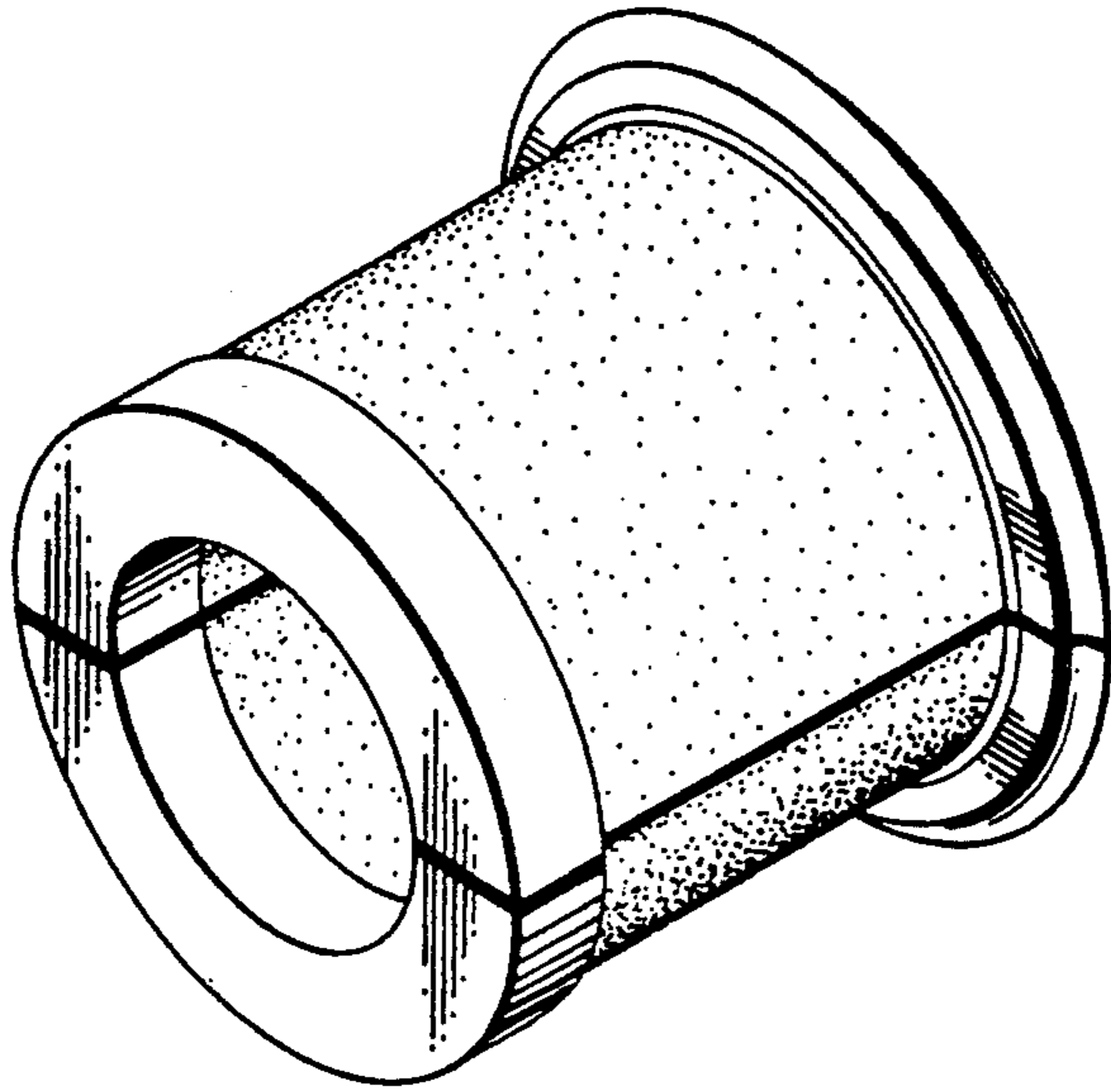


FIG. 2

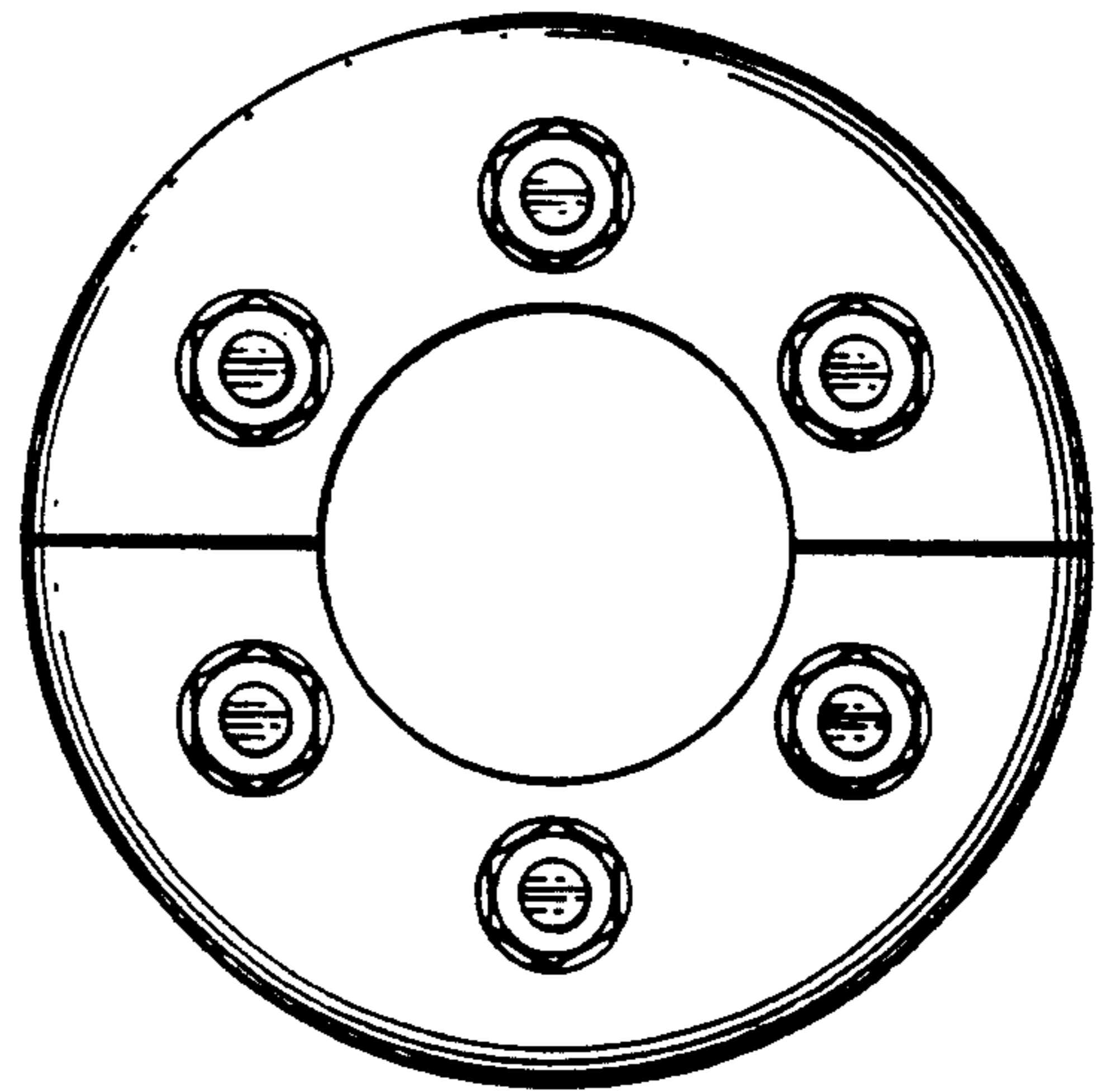
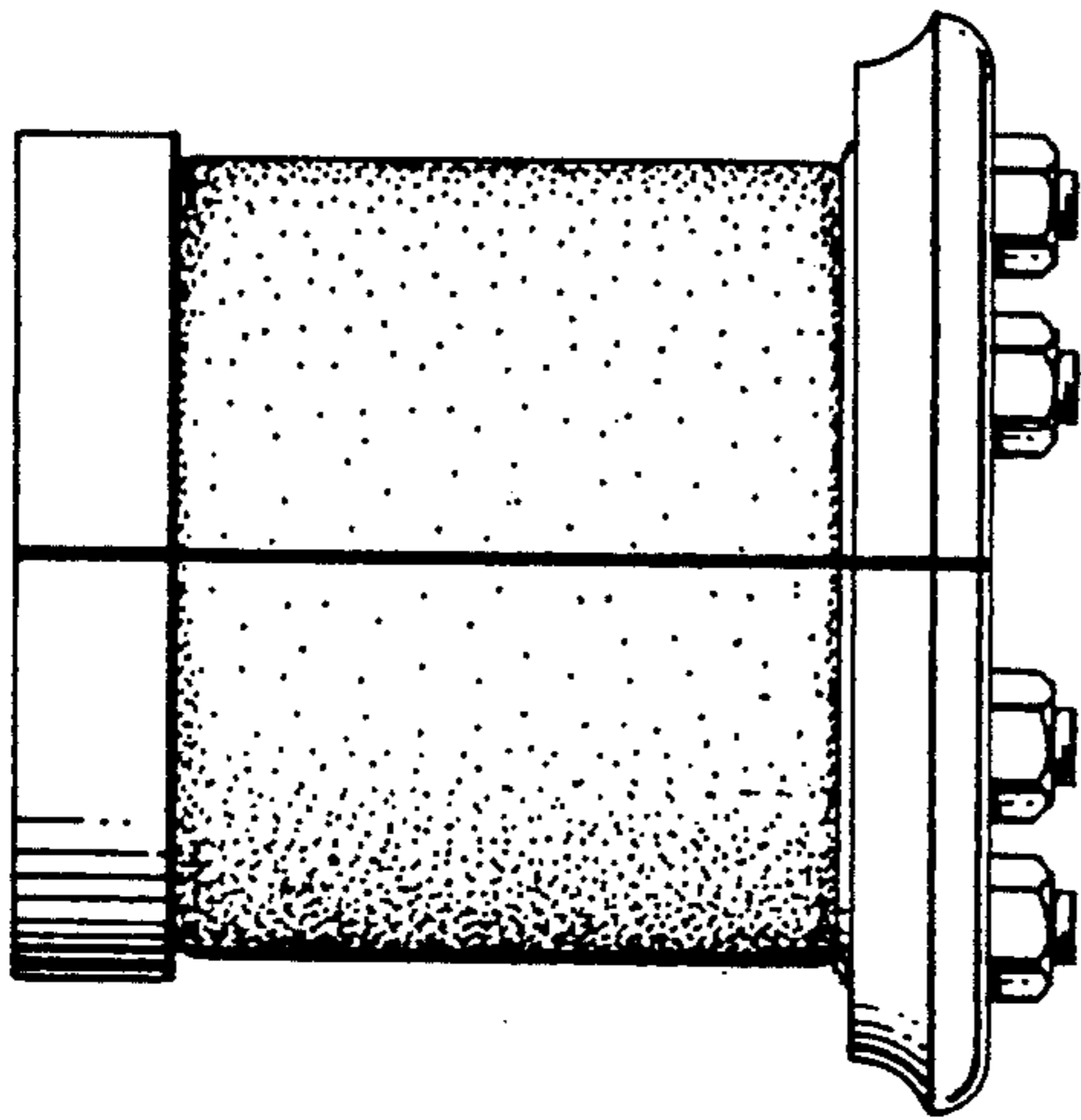
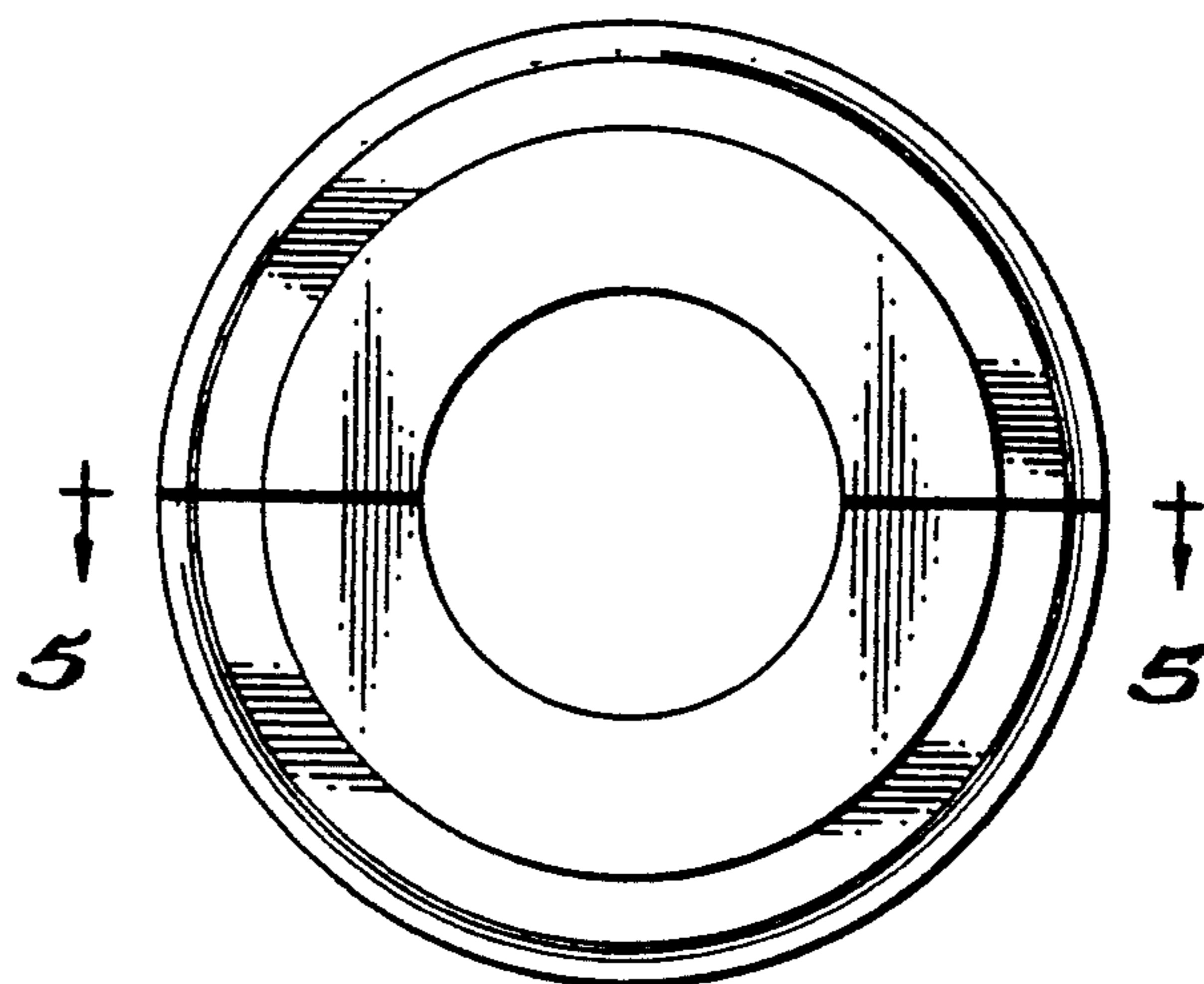


FIG. 3

FIG. 4



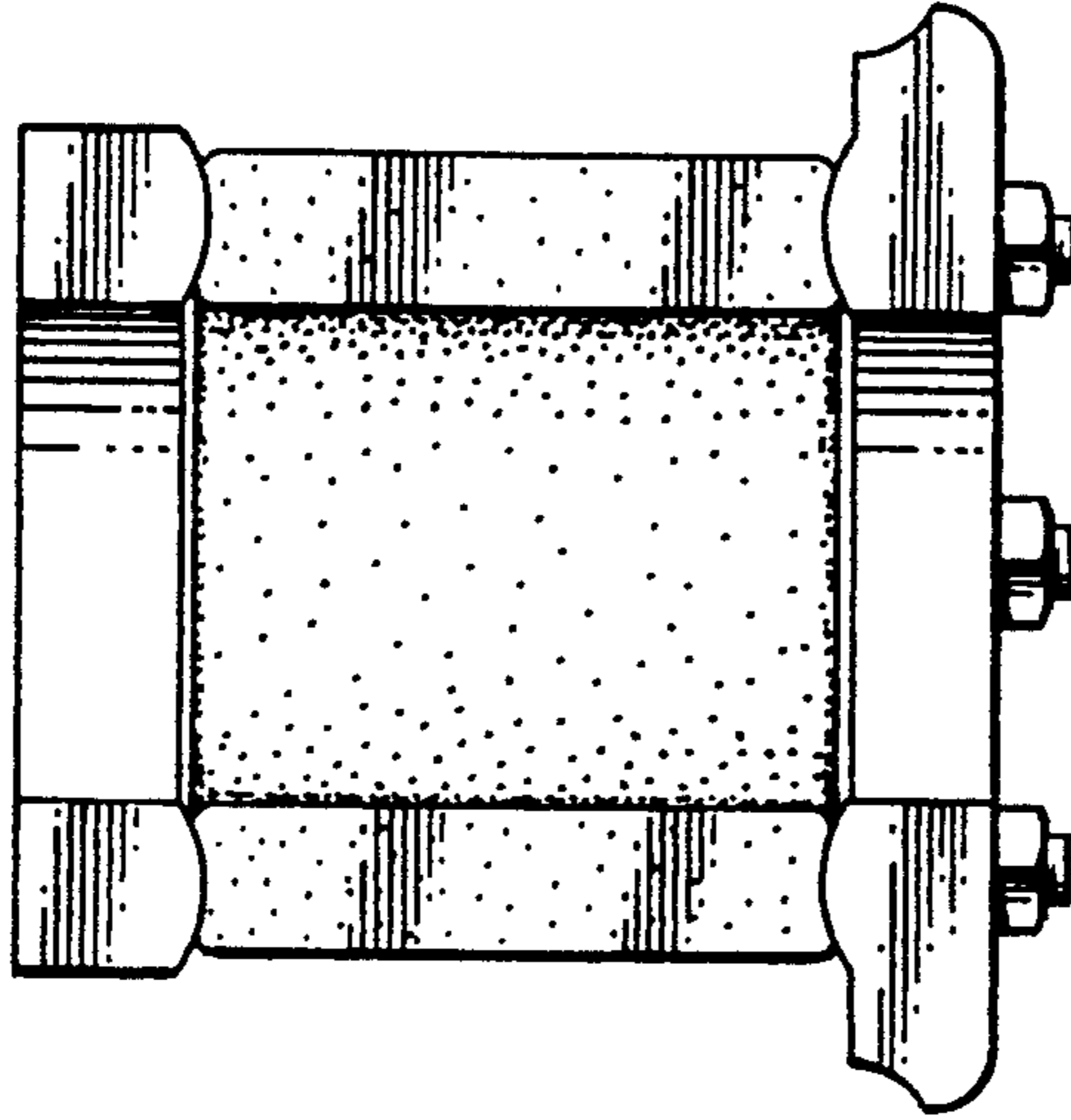


FIG. 5

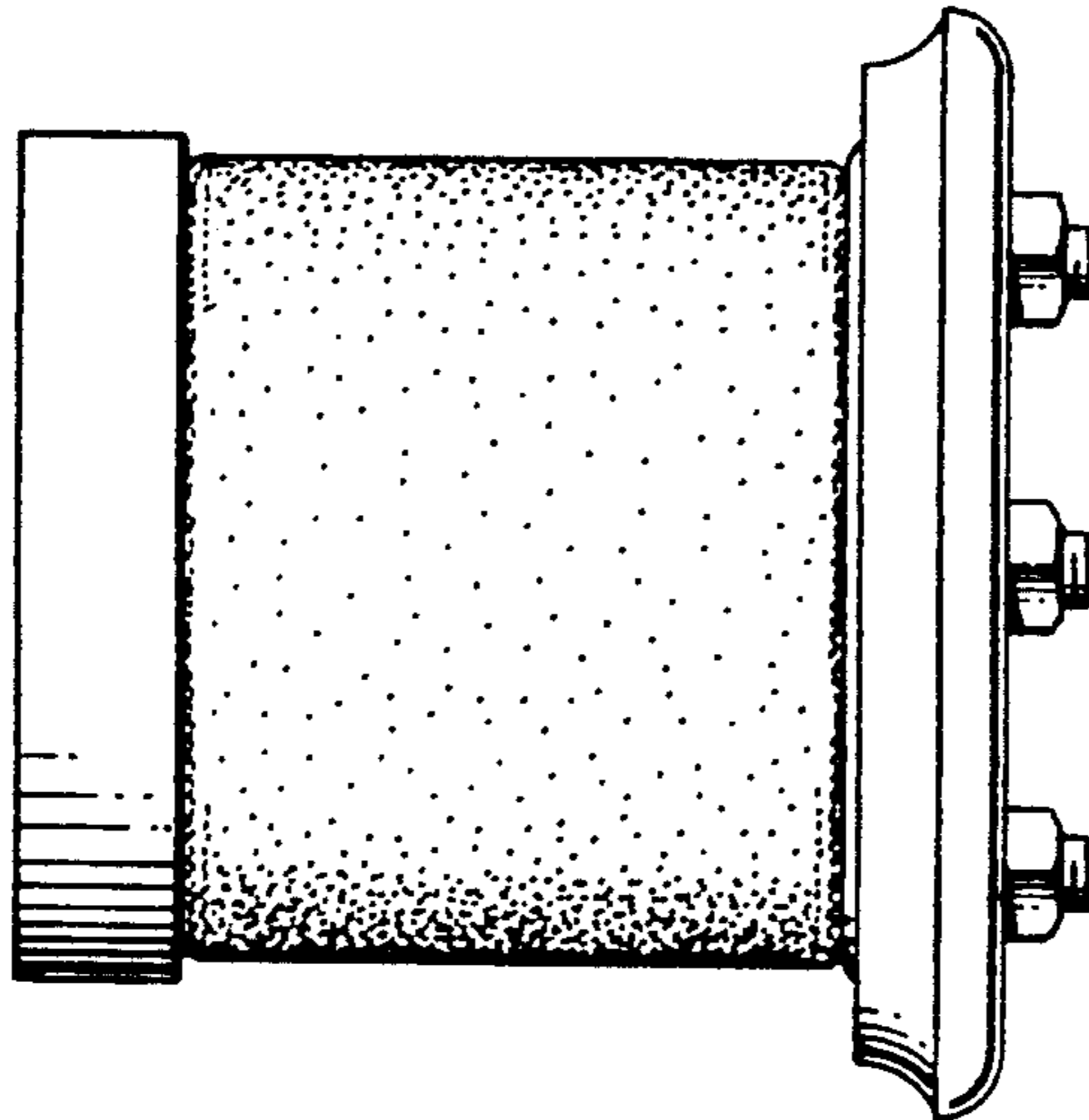


FIG. 6

FIG. 7

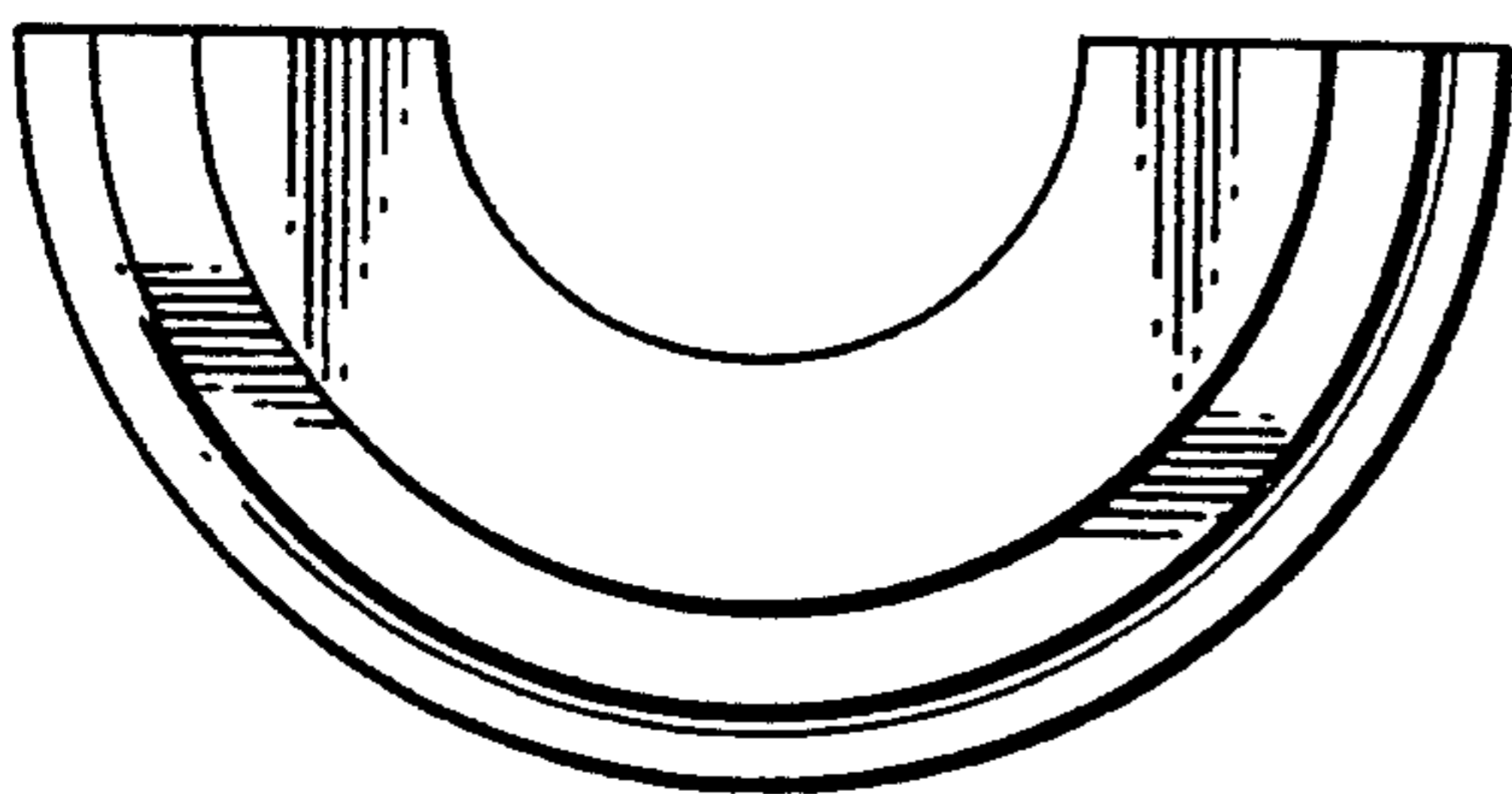


FIG. 8

