



US00D341144S

United States Patent [19]

[11] Patent Number: **Des. 341,144**

Rice

[45] Date of Patent: **** Nov. 9, 1993**

[54] **COMBINED REFRIGERATOR AND FREEZER**

1,445,464 2/1923 West et al. D15/86
1,697,294 1/1929 Summers D15/84

[76] Inventor: **Rebecca A. Rice**, 432 Power Plant Rd., Port Angeles, Wash. 98362

Primary Examiner—Bernard Ansher
Assistant Examiner—Sandra Morris
Attorney, Agent, or Firm—Leon Gilden

[**] Term: **14 Years**

[21] Appl. No.: **775,070**

[57] **CLAIM**

[22] Filed: **Oct. 11, 1991**

The ornamental design for a combined refrigerator and freezer, as shown and described.

[52] U.S. Cl. **D15/86**

[58] Field of Search **D15/79, 81, 85-88;**
62/125-127; 312/139.2, 236

DESCRIPTION

[56] **References Cited**

U.S. PATENT DOCUMENTS

D. 173,922	1/1955	Weise	D15/86
D. 220,455	4/1971	Mason	D15/86
D. 236,654	9/1975	Meyer	D15/86
D. 299,145	12/1988	Kuwabara et al.	D15/86
D. 326,461	5/1992	Nakao et al.	D15/86

FIG. 1 is a front elevational view of the combined refrigerator and freezer showing my new design; FIG. 2 is a rear elevational view thereof; FIG. 3 is a left side elevational view thereof; FIG. 4 is a right side elevational view thereof; FIG. 5 is a top plan view thereof; FIG. 6 is a bottom plan view thereof; FIG. 7 is a front perspective view thereof; and, FIG. 8 is a rear perspective view thereof.

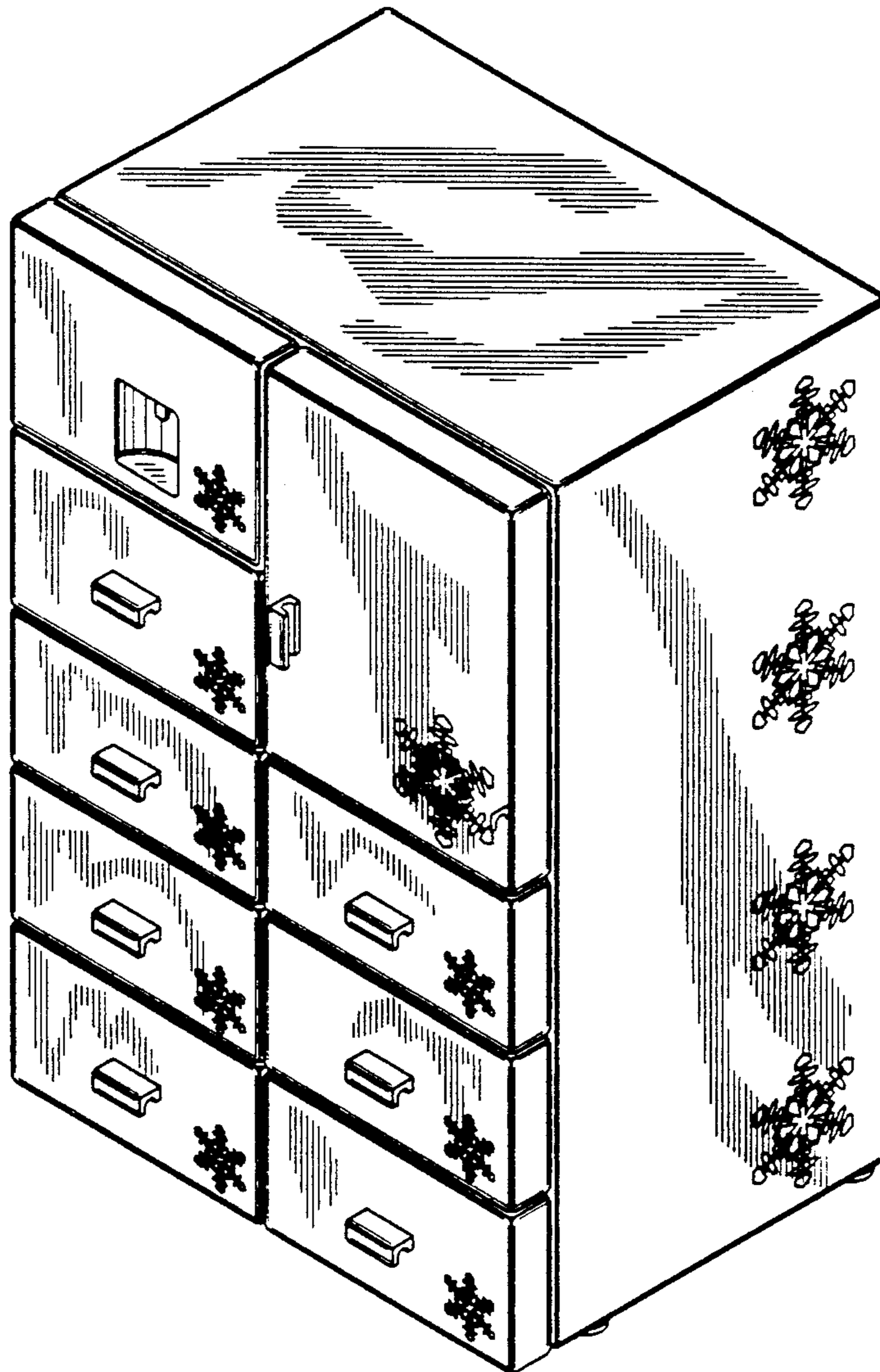


FIG. 1

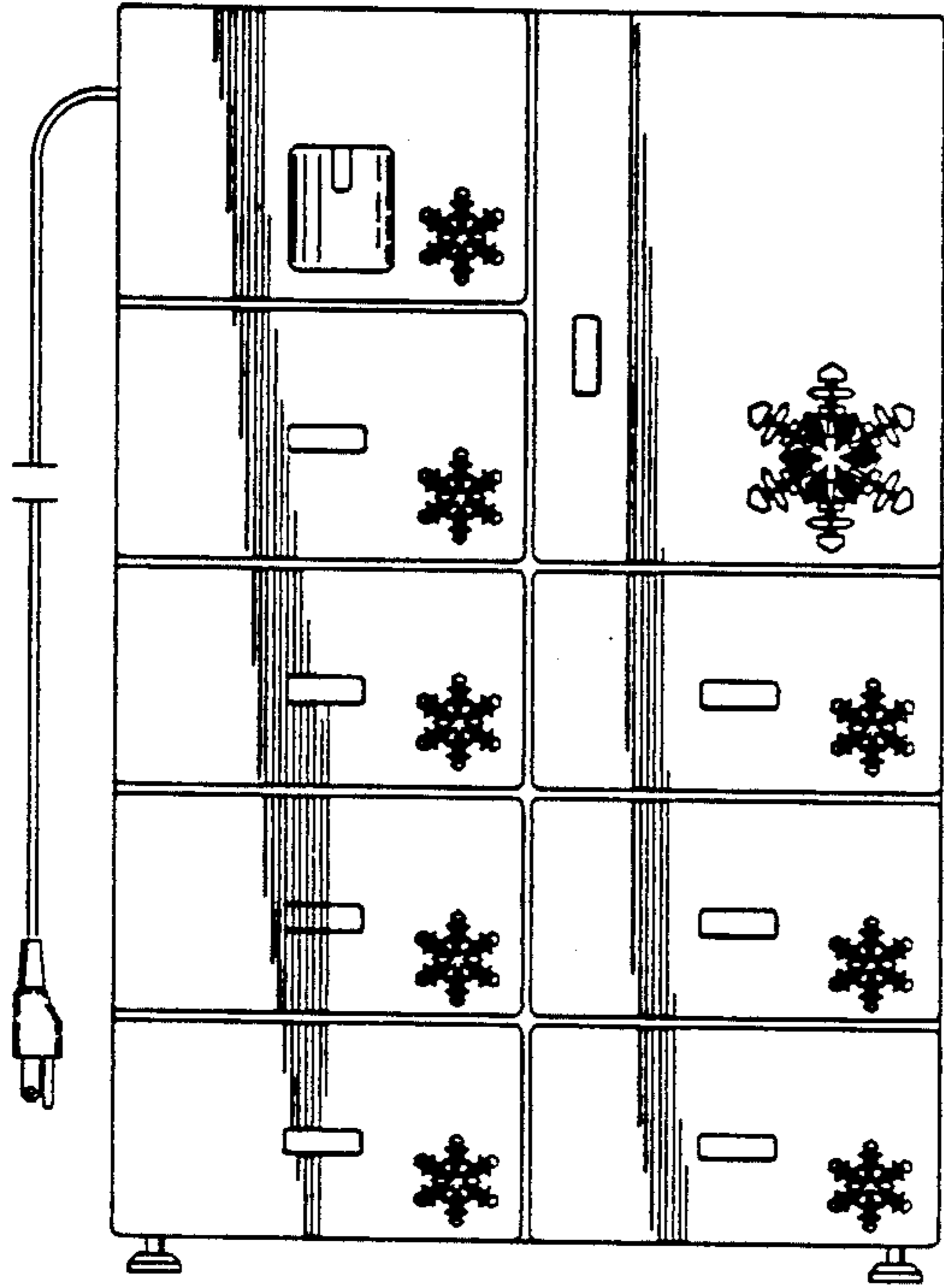


FIG. 2

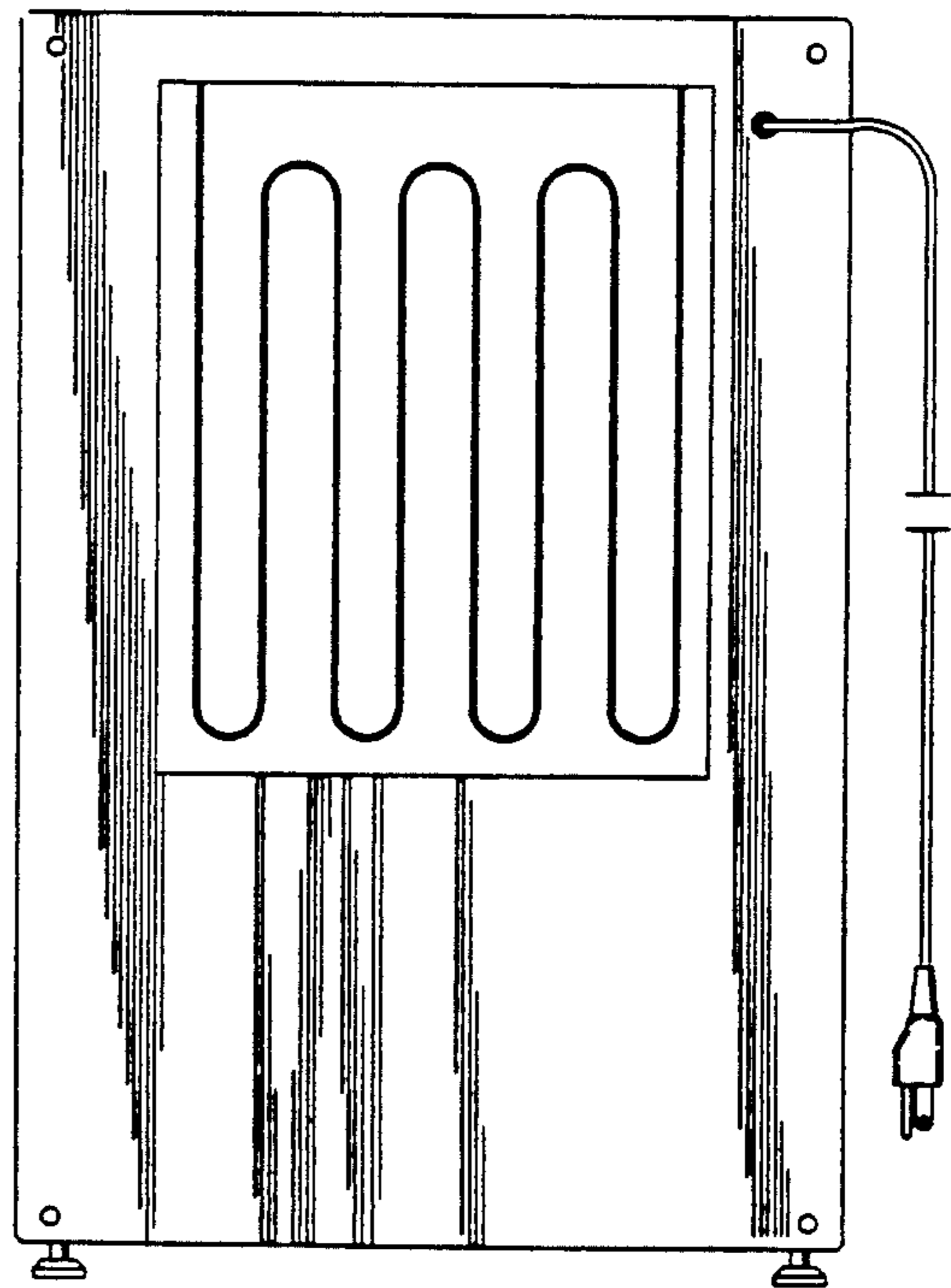


FIG. 3

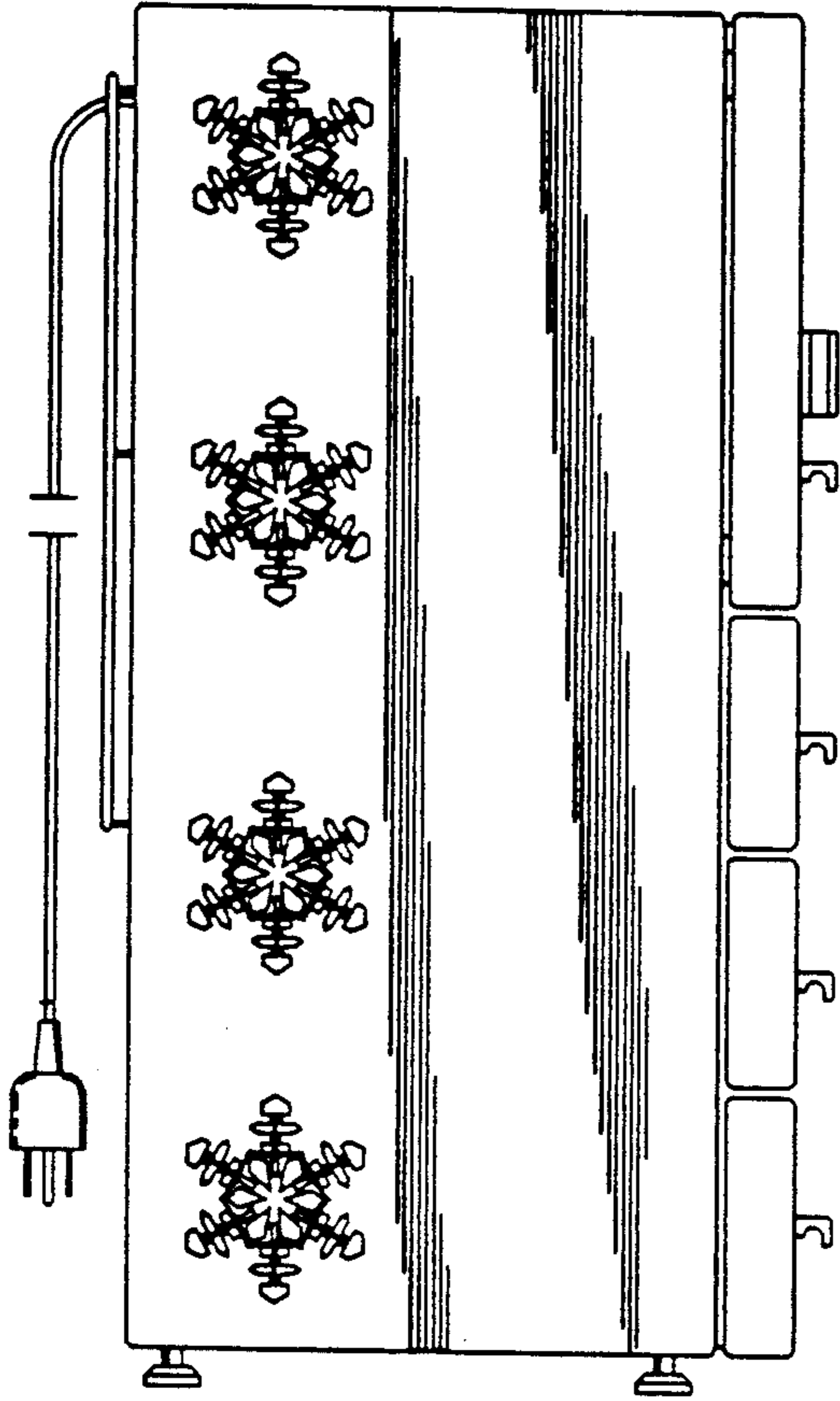


FIG. 4

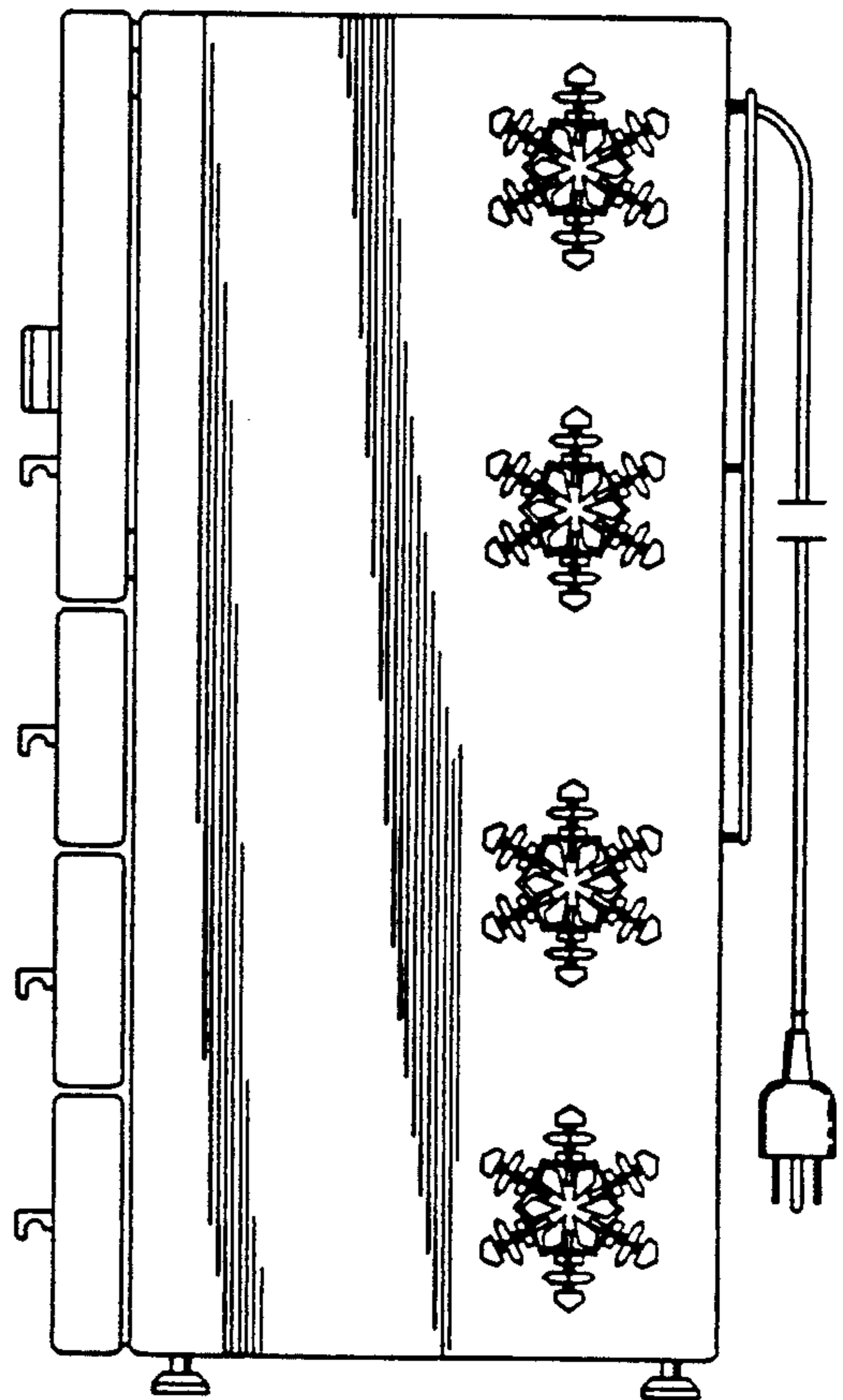


FIG. 5

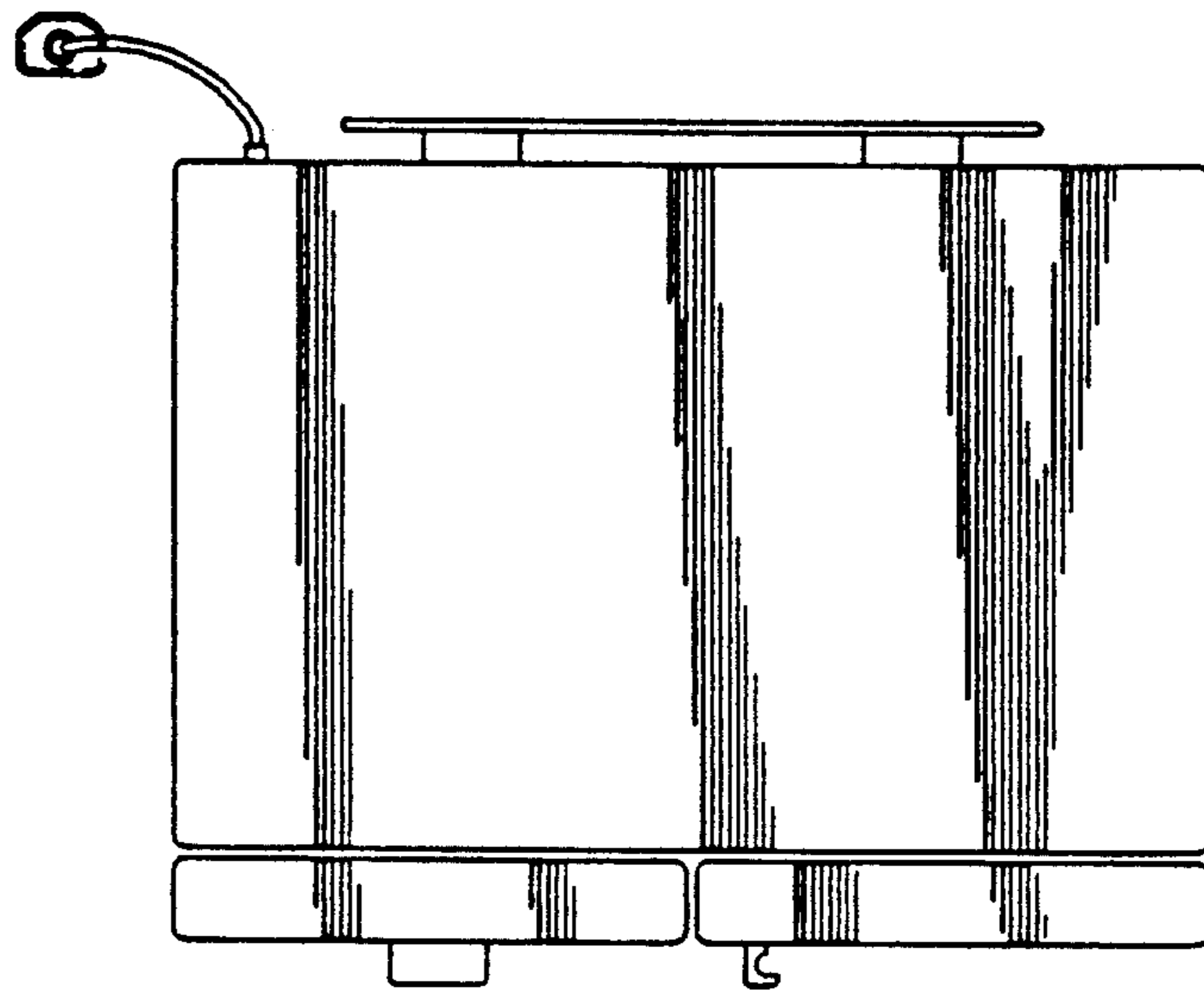


FIG. 6

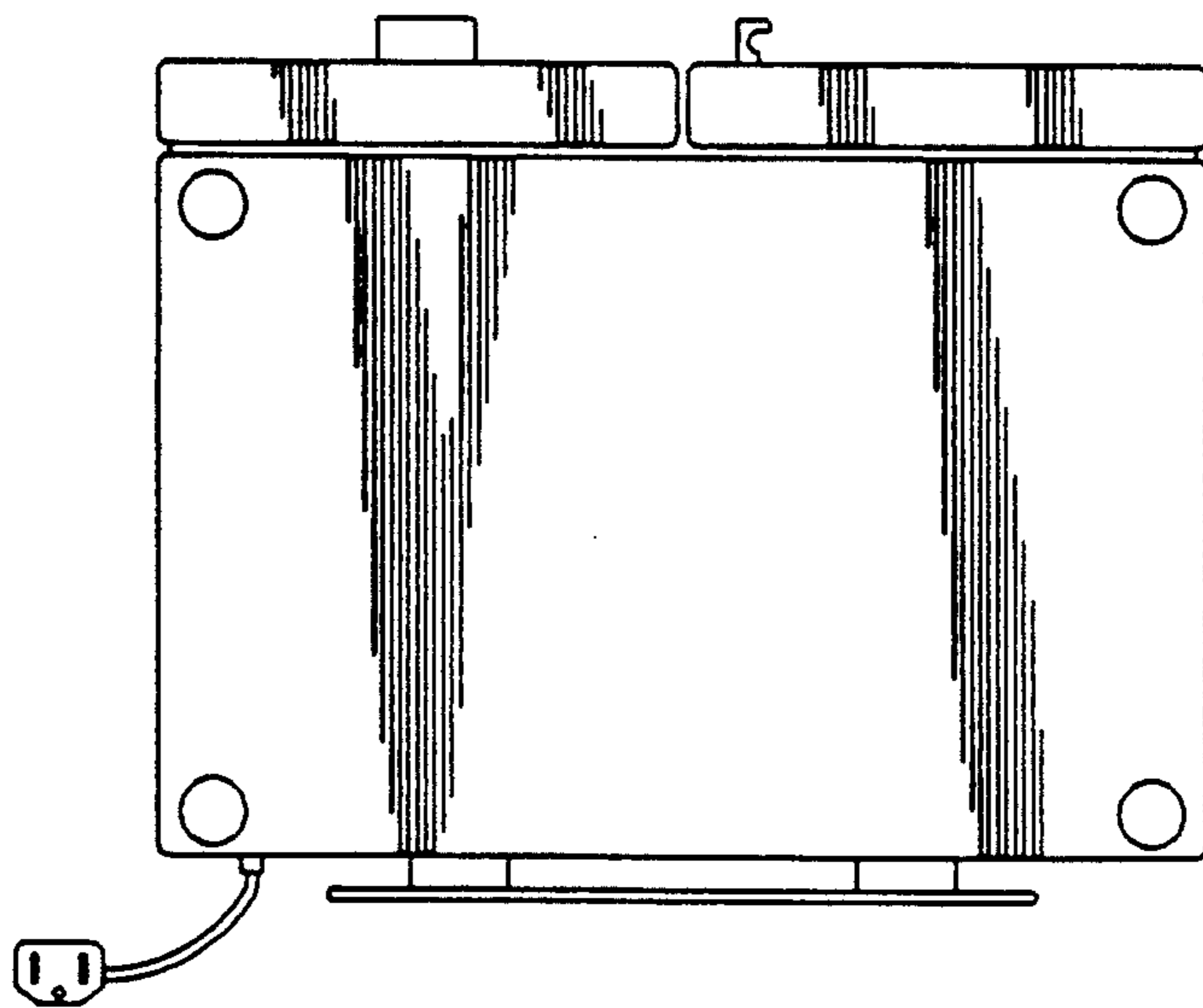


FIG. 7

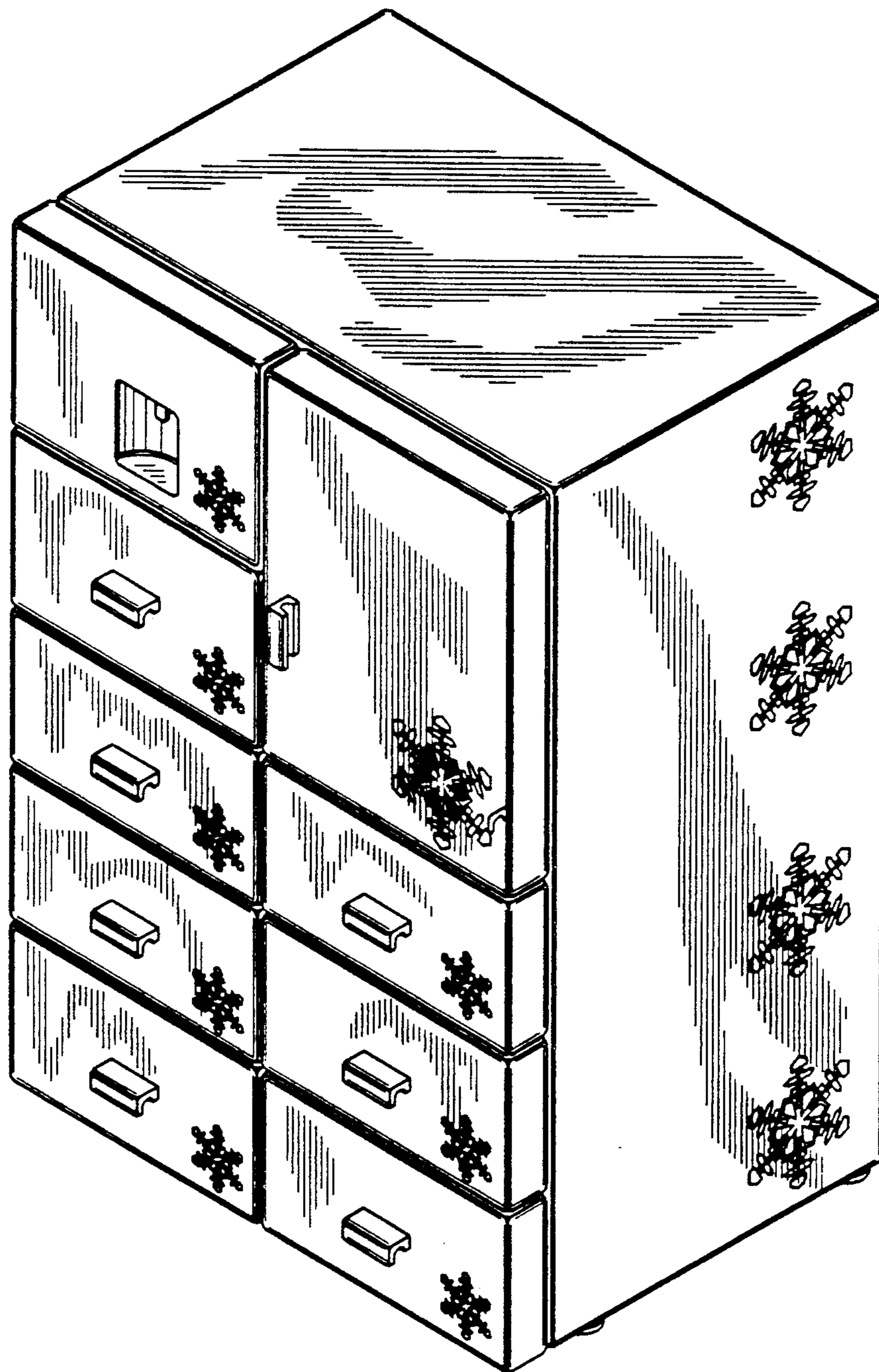


FIG. 8

