



US00D341143S

United States Patent [19]

Beaver

[11] Patent Number: **Des. 341,143**

[45] Date of Patent: **** Nov. 9, 1993**

[54] **KIT FOR SIPHONING GAS FROM A CONTAINER**

[76] Inventor: **William H. Beaver**, 160 N. 150 W., P.O. Box 583, Tooele, Utah 84074-0583

[**] Term: **14 Years**

[21] Appl. No.: **702,701**

[22] Filed: **May 20, 1991**

[52] U.S. Cl. **D15/7; D15/9**

[58] Field of Search **D15/7-9.2; 137/140, 142, 149, 147; 417/234, 411**

[56] **References Cited**

U.S. PATENT DOCUMENTS

D. 273,178	3/1984	Dunlap	D15/7
D. 309,143	7/1990	Yang	D15/9
D. 323,329	1/1992	Wong	D15/9
3,750,691	8/1973	Lidolph	.	
4,073,305	2/1978	Brown	.	
4,301,826	11/1981	Beckerer	.	

4,810,169	3/1989	Kränzle	417/234
4,830,579	5/1989	Cheng	417/411
5,051,068	9/1991	Wong	417/234

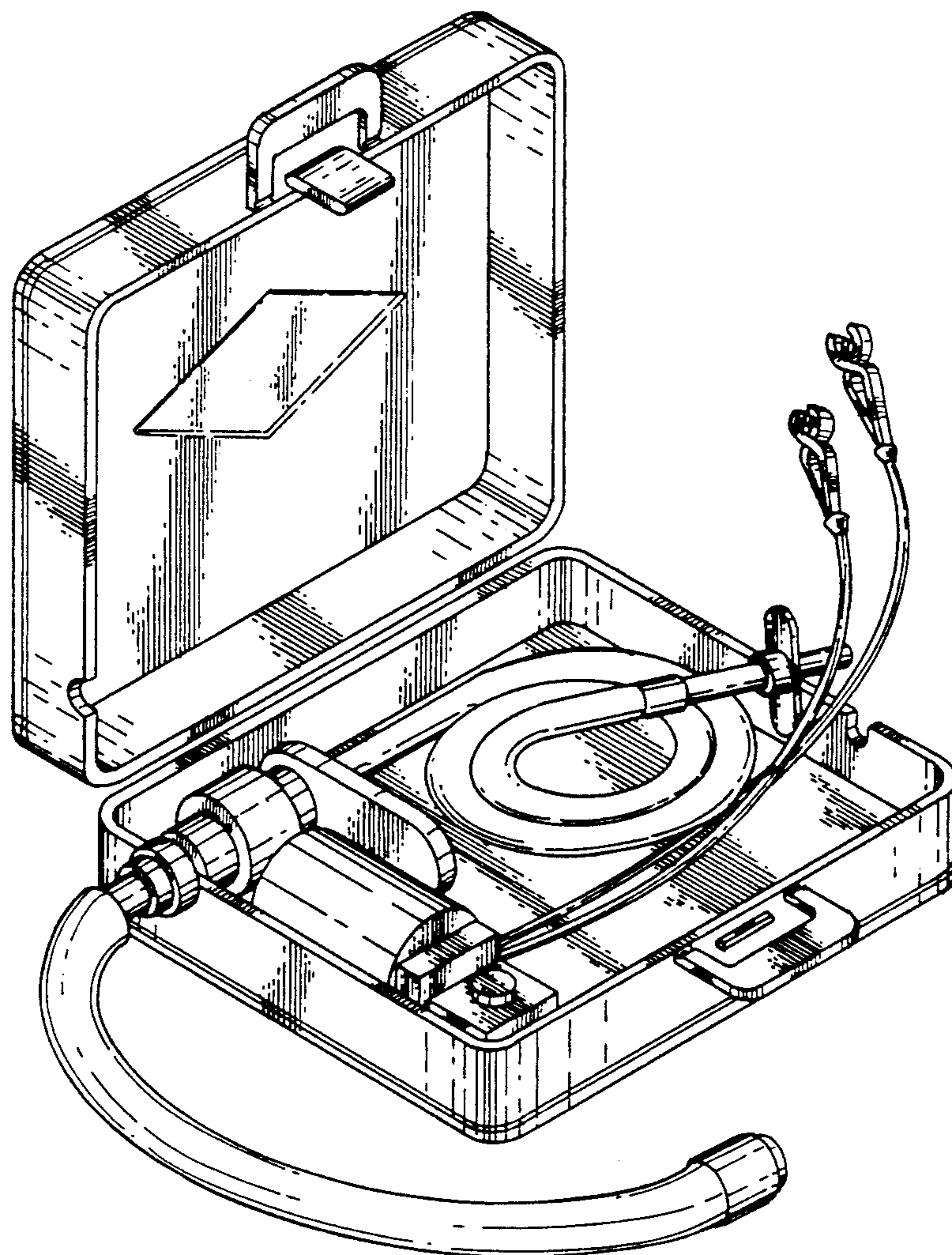
Primary Examiner—A. Hugo Word
Assistant Examiner—R. Seifert
Attorney, Agent, or Firm—Terry M. Gernstein

[57] **CLAIM**

The ornamental design for a kit for siphoning gas from a container, as shown and described.

DESCRIPTION

FIG. 1 is a perspective view of the kit for siphoning gas from a container embodying the design of the present invention, in the open configuration; FIG. 2 is a top plan view shown in a closed configuration thereof; FIG. 3 is a bottom view thereof; FIG. 4 is an end elevational view thereof; FIG. 5 is an end elevational view thereof; FIG. 6 is a side elevational view thereof; and, FIG. 7 is a side elevational view thereof.



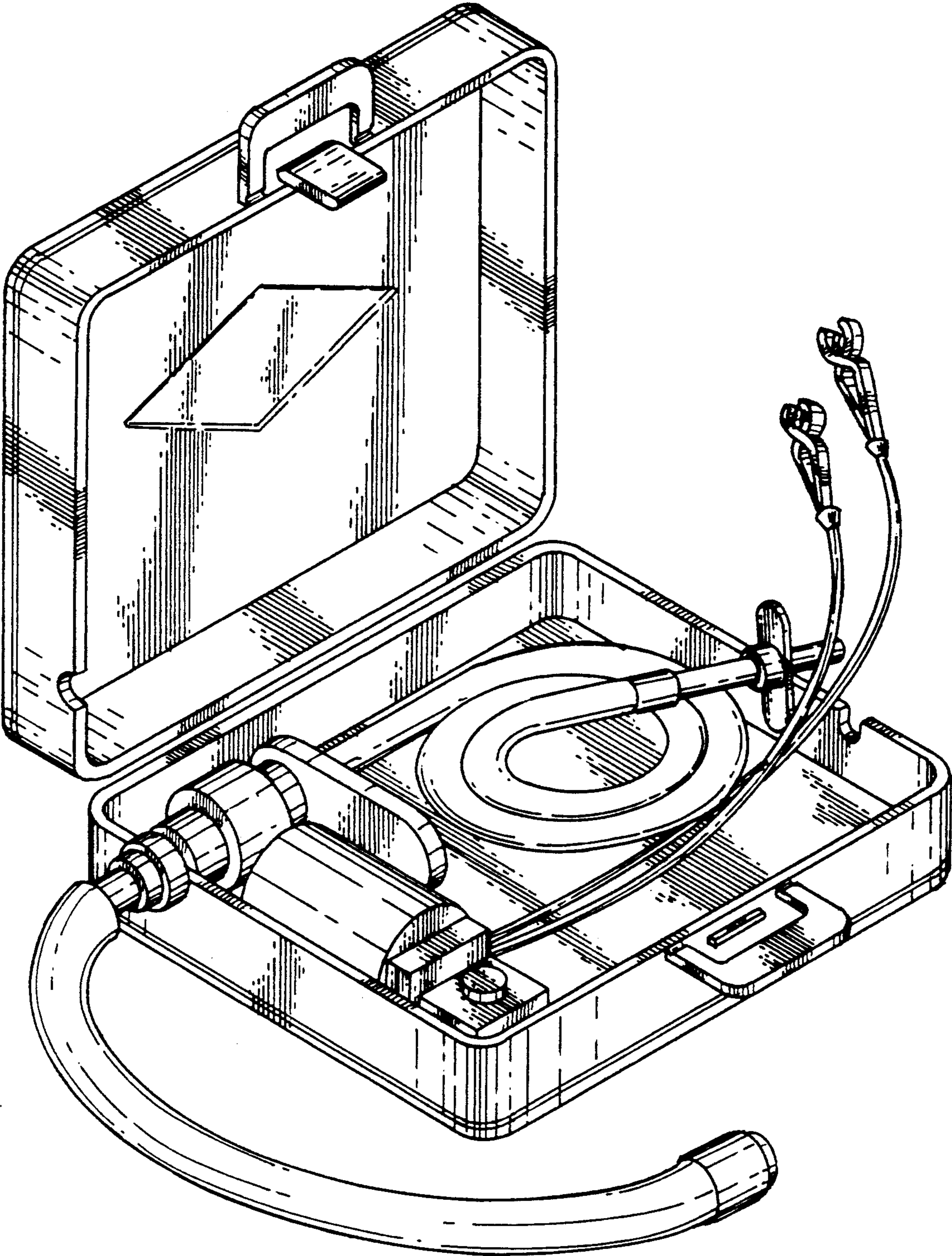


FIG. 1

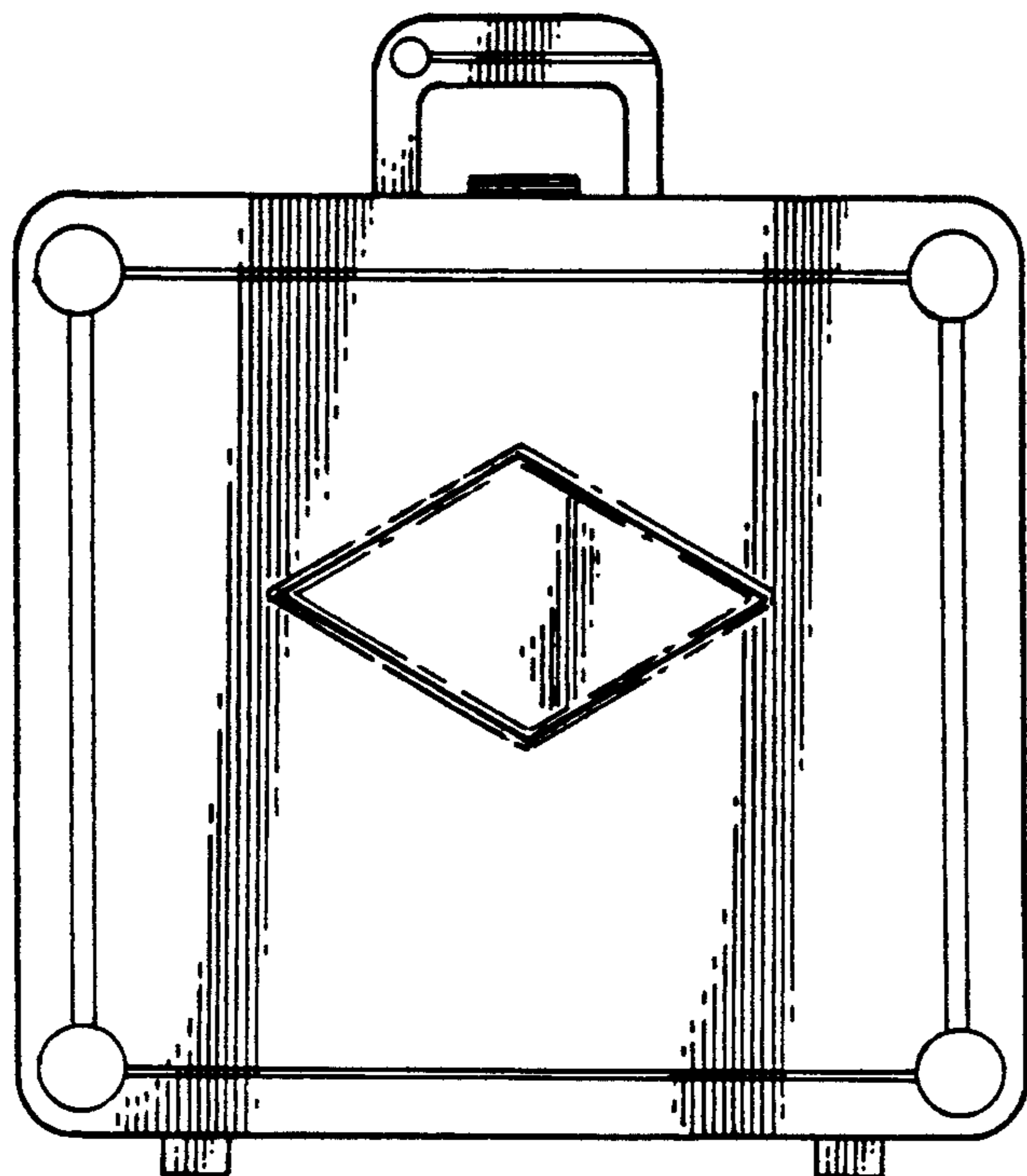


FIG. 2

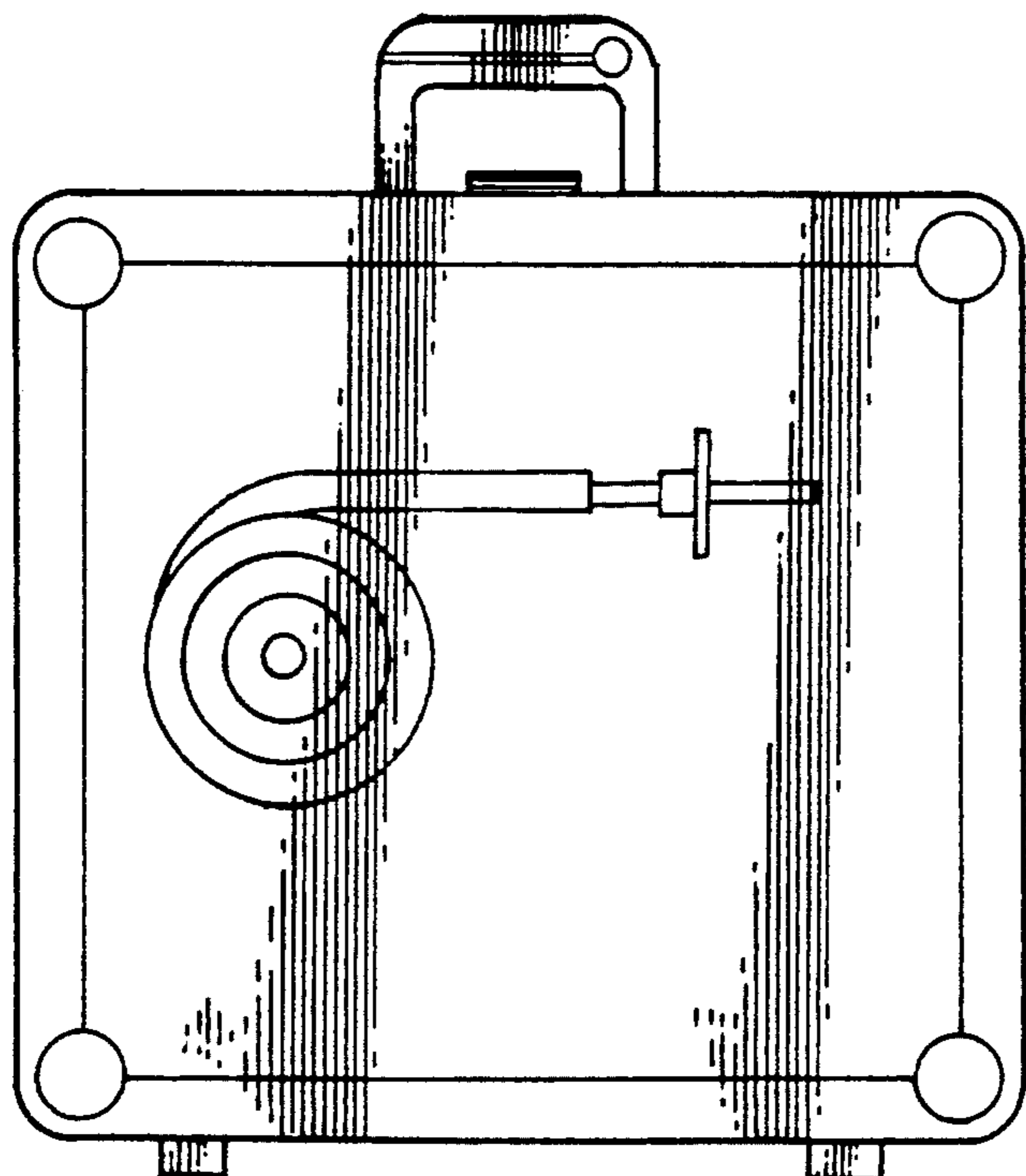


FIG. 3

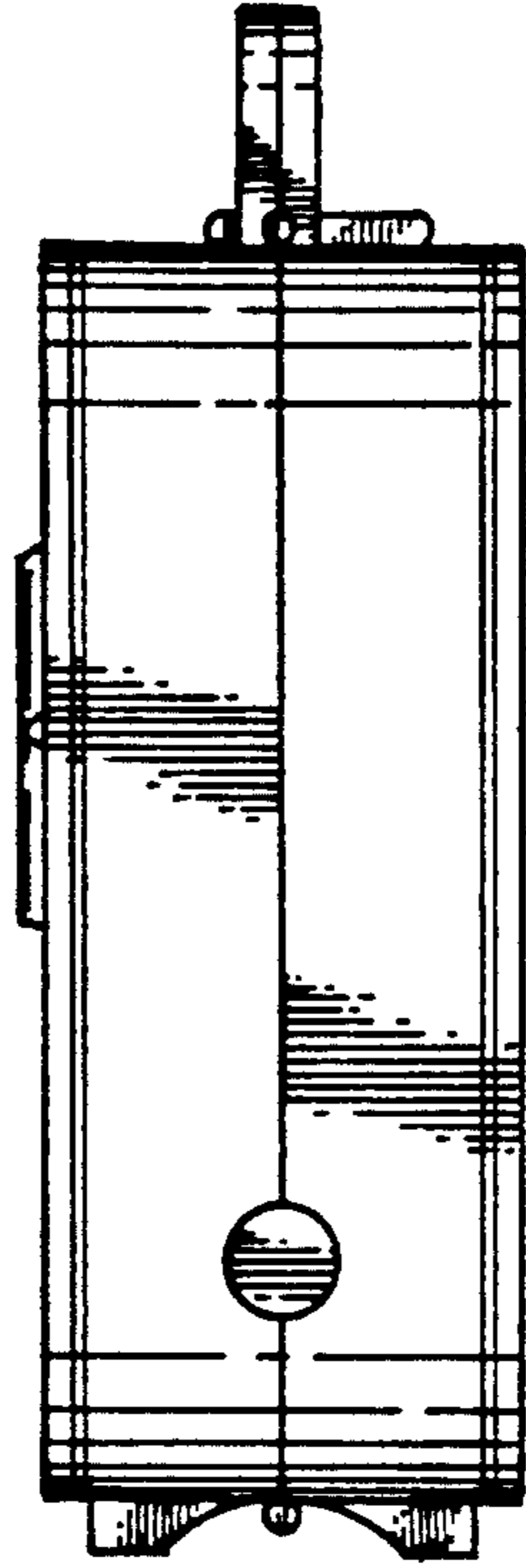


FIG. 4

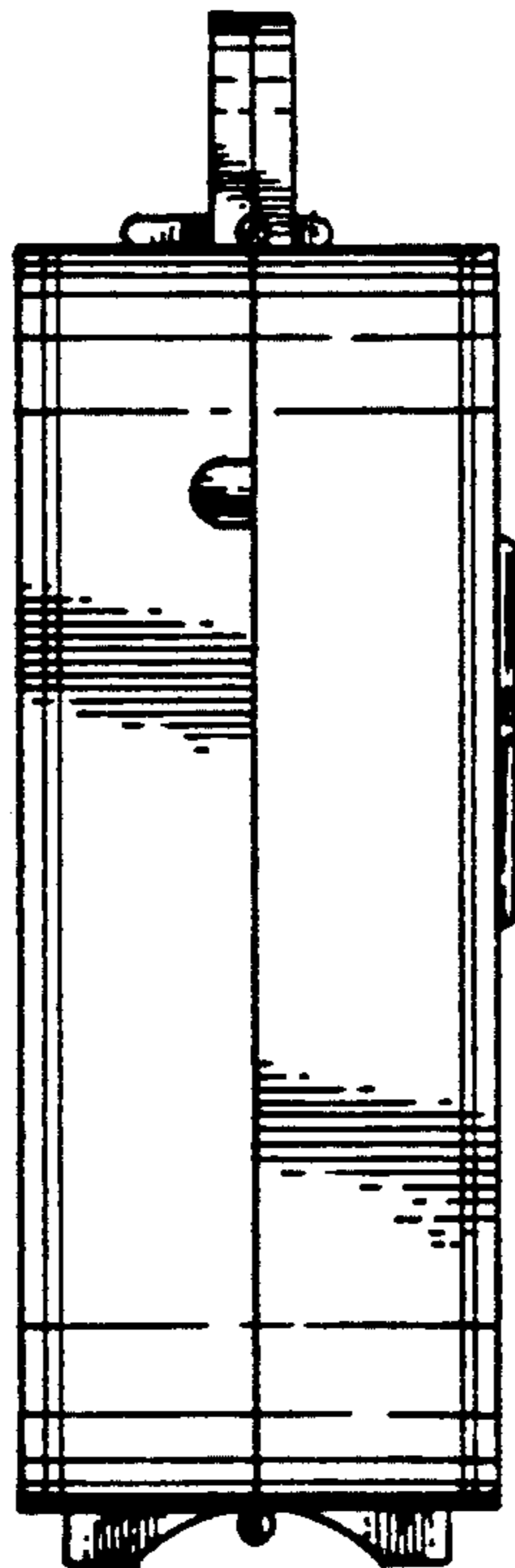


FIG. 5

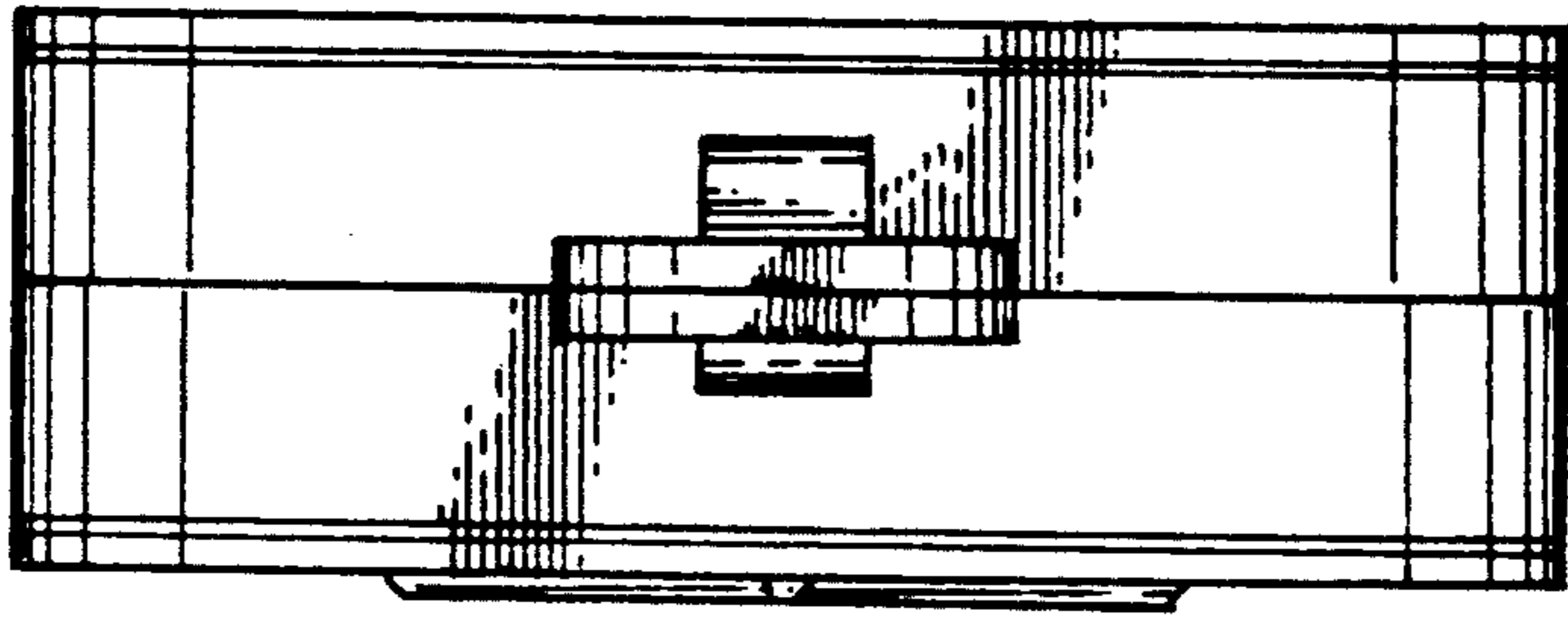


FIG. 6

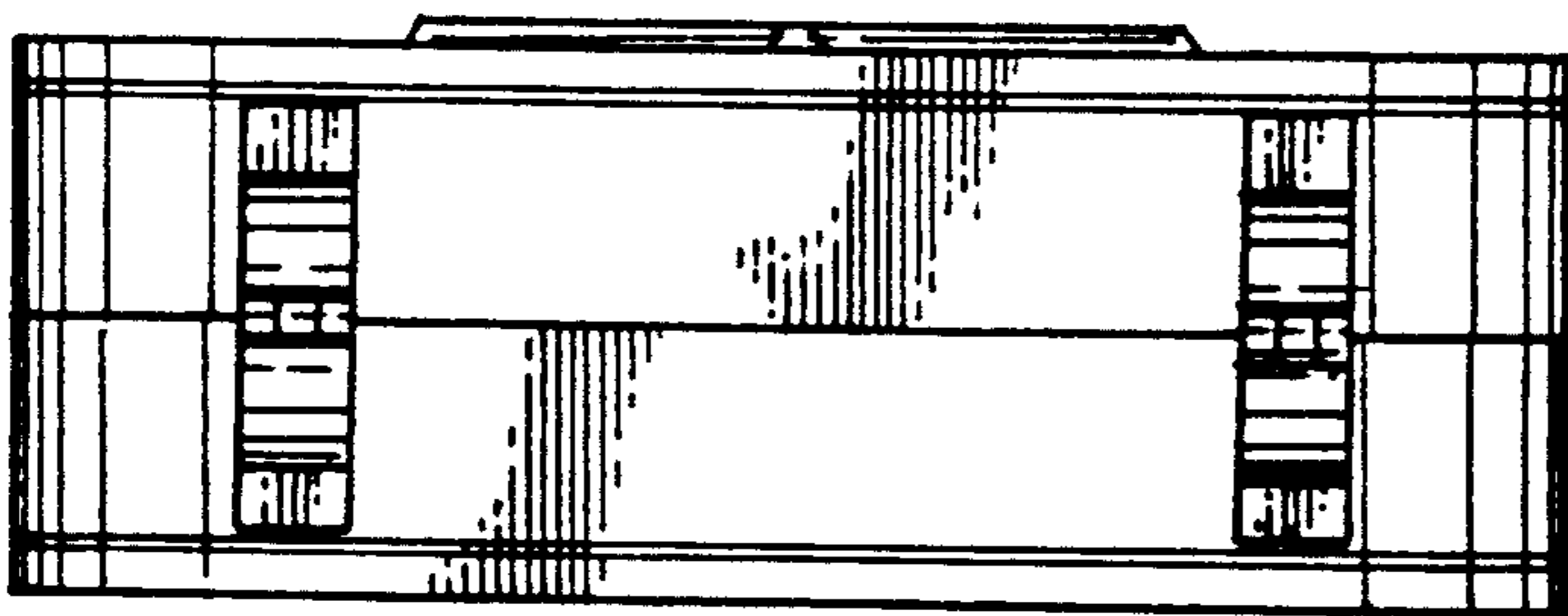


FIG. 7