



US00D341142S

United States Patent [19]

[11] Patent Number: **Des. 341,142**

Rogers et al.

[45] Date of Patent: **** Nov. 9, 1993**

[54] REPLACEMENT OIL DRAIN PLUG

[75] Inventors: **William C. Rogers, Dresher; William R. Lawson, Glenside, both of Pa.**

[73] Assignee: **R&B Incorporated, Colmar, Pa.**

[**] Term: **14 Years**

[21] Appl. No.: **698,572**

[22] Filed: **May 10, 1991**

[52] U.S. Cl. **D15/5; D23/260**

[58] Field of Search **D23/260, 261; D15/5; D9/440; 184/1.5, 90, 105.3; 220/233, 234, 235, 236, 243, 244; 411/435, 342, 344, 346, 369**

[56] References Cited

U.S. PATENT DOCUMENTS

D. 186,421	10/1959	Scully	D23/260
D. 280,080	8/1985	Miskinis	D9/440
D. 328,903	8/1992	Bonbright	D15/5
D. 331,064	11/1992	Wilson et al.	D15/5
2,882,547	4/1959	Becon	411/435 X
3,646,314	2/1972	Windsor	220/233 X
3,677,369	7/1972	Schramm	184/1.5
4,205,758	6/1980	Johnson	220/235
4,457,653	7/1984	Leib	411/344
4,574,971	3/1986	Leonard	220/235
5,197,567	3/1993	Rabalais	184/1.5

OTHER PUBLICATIONS

Motormite Products Catalog, 1991 face page, insert page, and pages 272 and 273.

Primary Examiner—James R. Largen
Attorney, Agent, or Firm—Volpe and Koenig

[57] CLAIM

The ornamental design for a replacement oil drain plug, as shown and described.

DESCRIPTION

FIG. 1 is a perspective view taken from the top, front and right side of a replacement oil drain plug showing our new design;

FIG. 2 is a right side elevational view thereof, the left side being a mirror image of the right side;

FIG. 3 is a front elevational view thereof, the rear being a mirror image of the front;

FIG. 4 is a top plan view thereof;

FIG. 5 is a bottom plan view thereof;

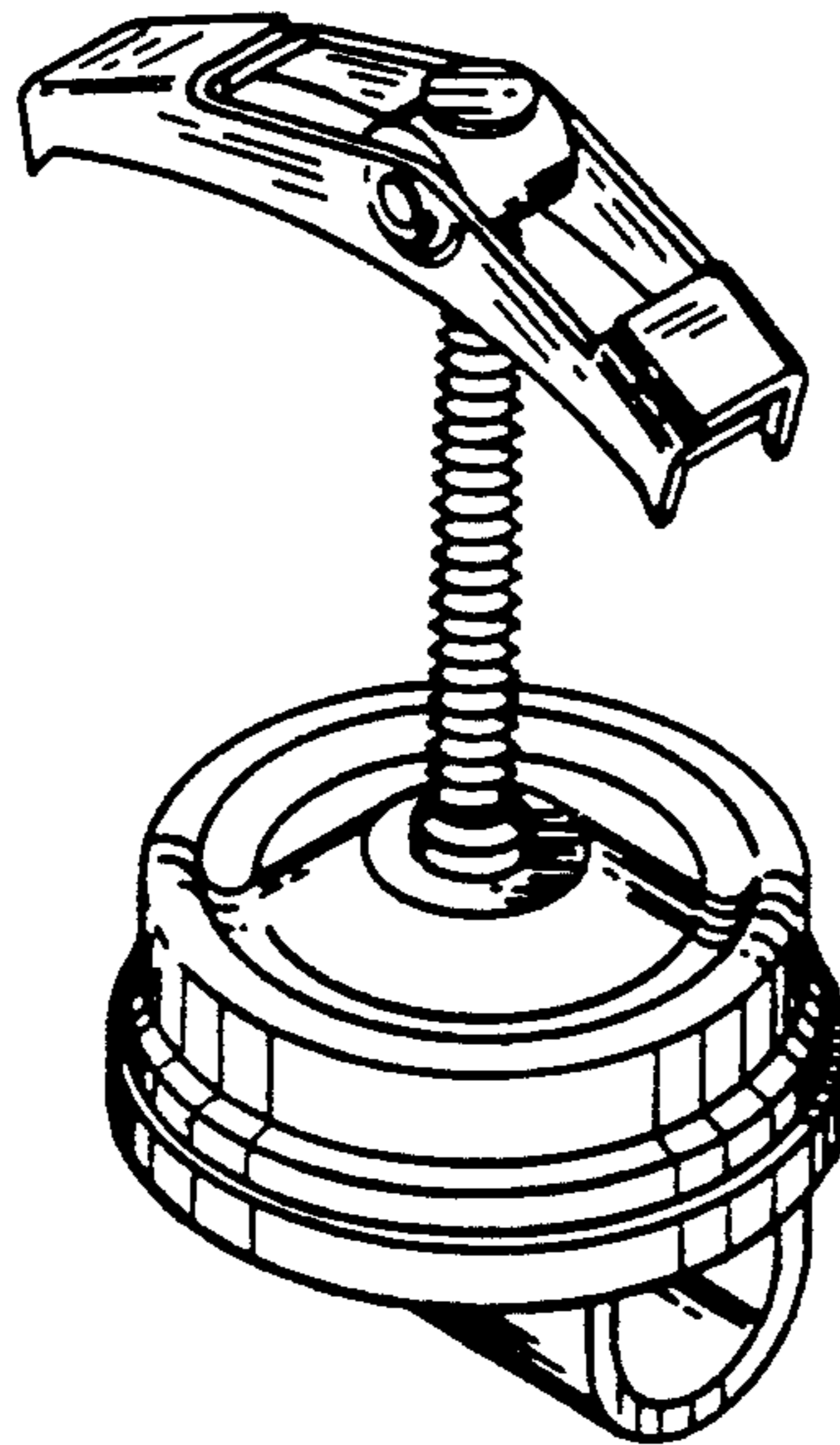
FIG. 6 is a perspective view taken from the top, front and right side of a second embodiment thereof;

FIG. 7 is a right side elevational view of FIG. 6, the left side being a mirror image of the right side;

FIG. 8 is a front elevational view of FIG. 6, the rear being a mirror image of the front;

FIG. 9 is a top plan view of FIG. 6; and,

FIG. 10 is a bottom plan view of FIG. 6.



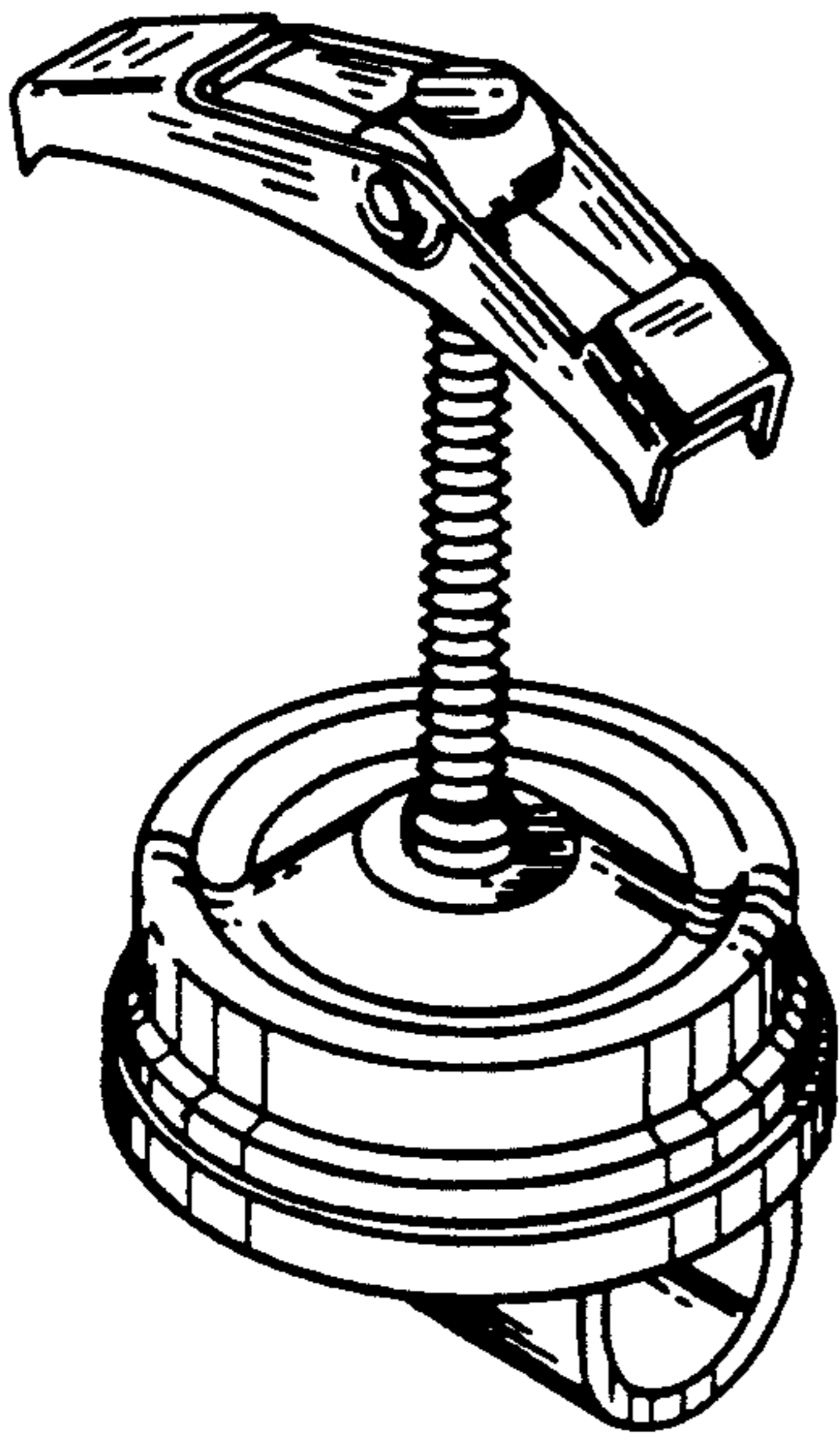


FIG. 1

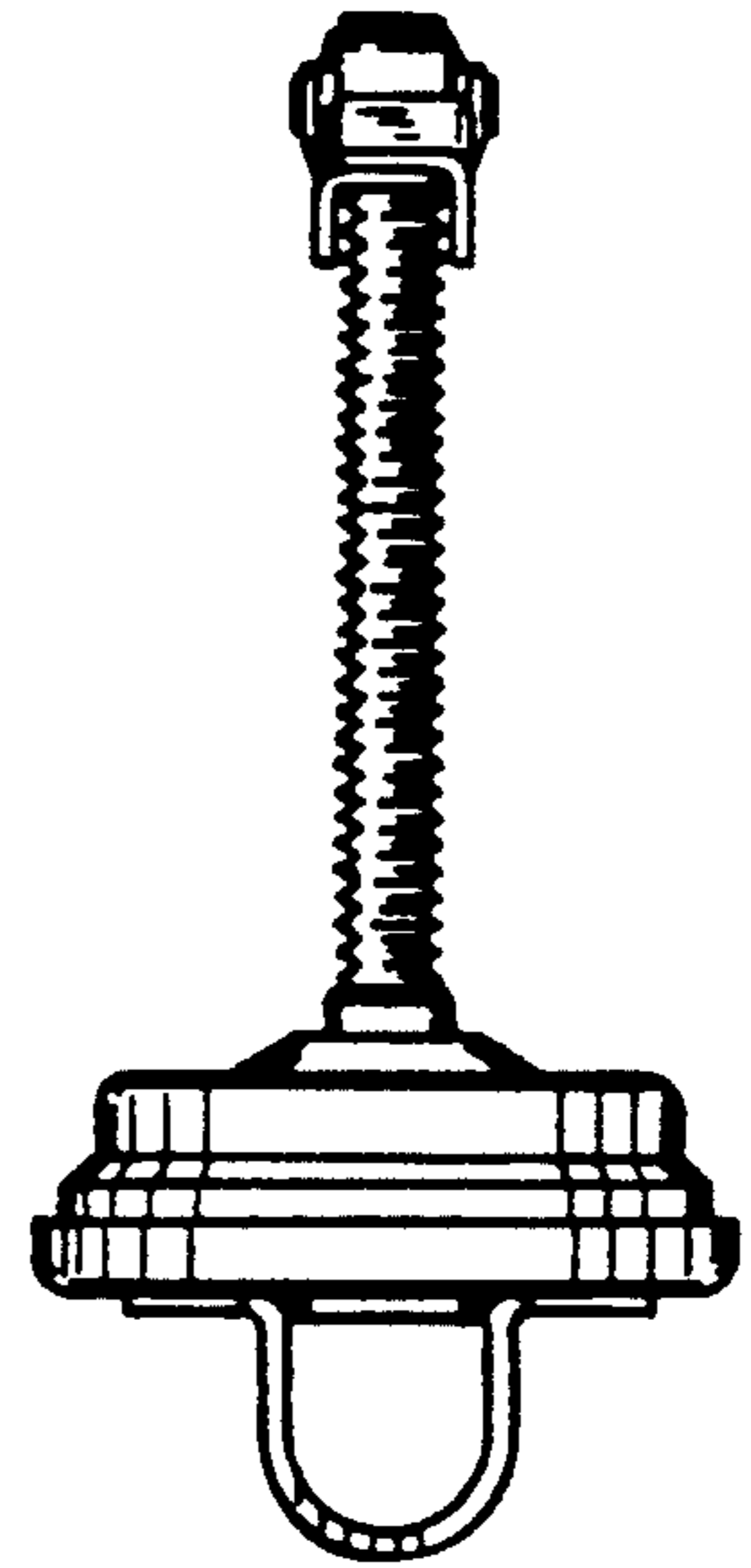


FIG. 2

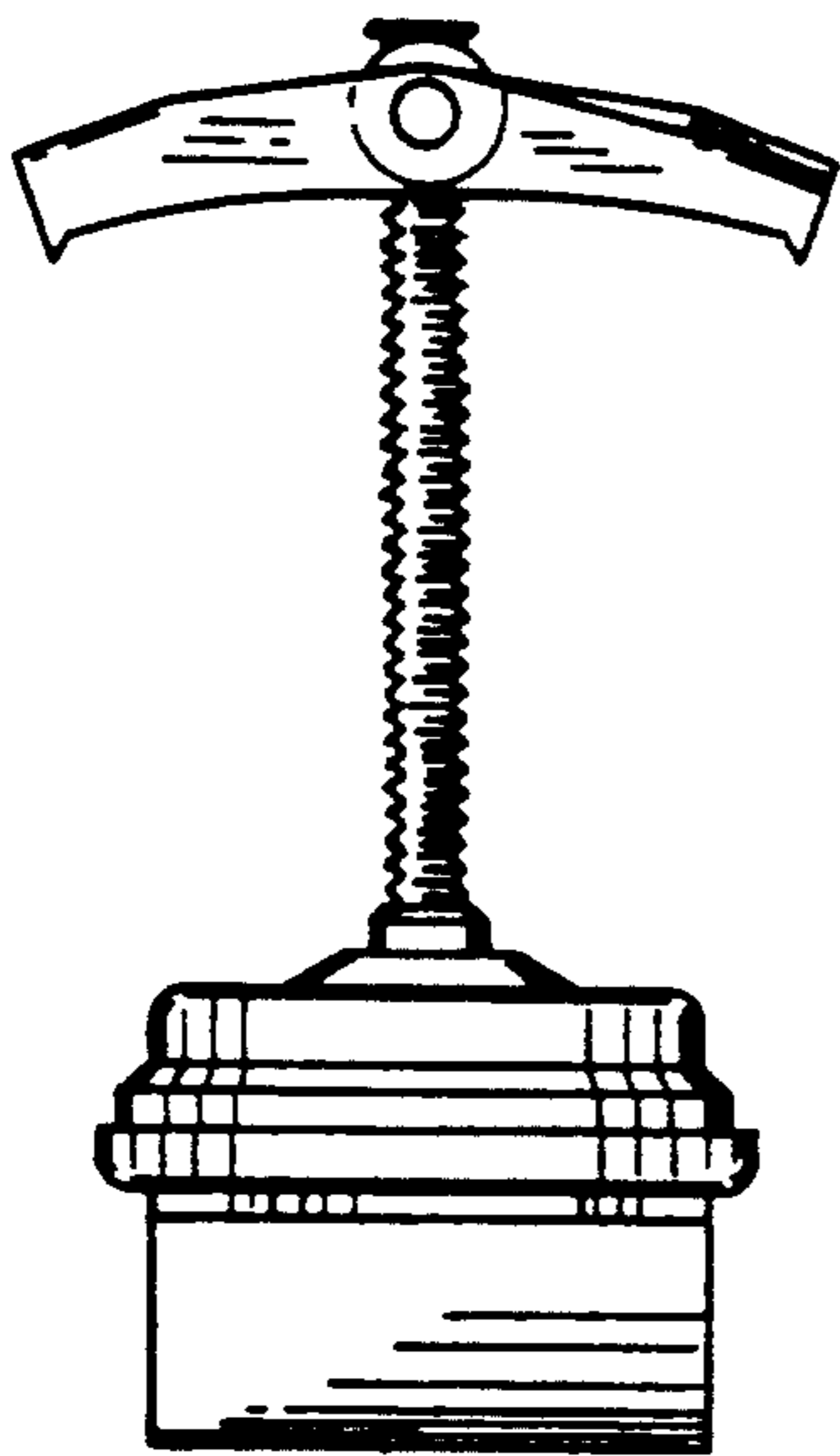


FIG. 3

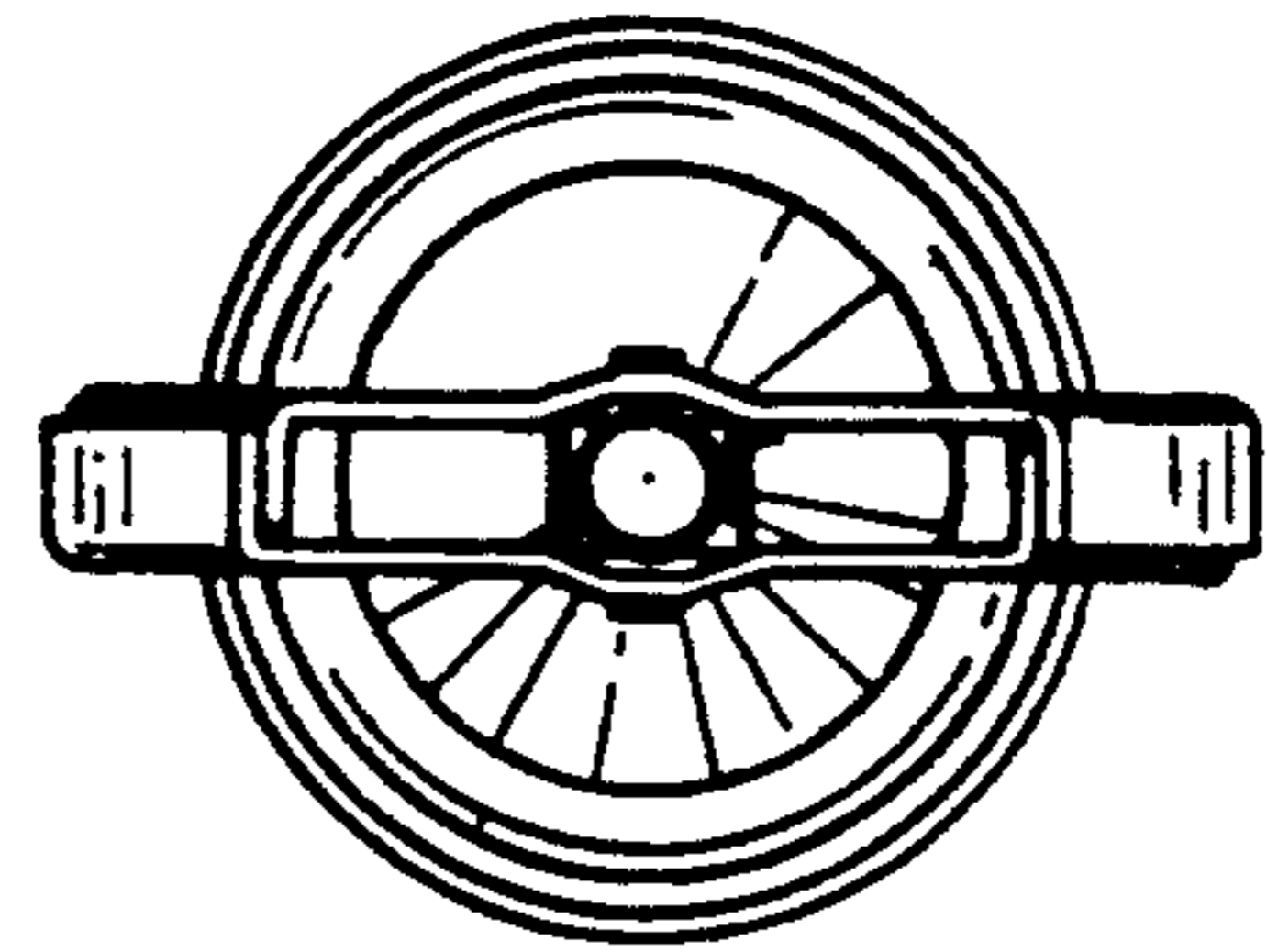


FIG. 4

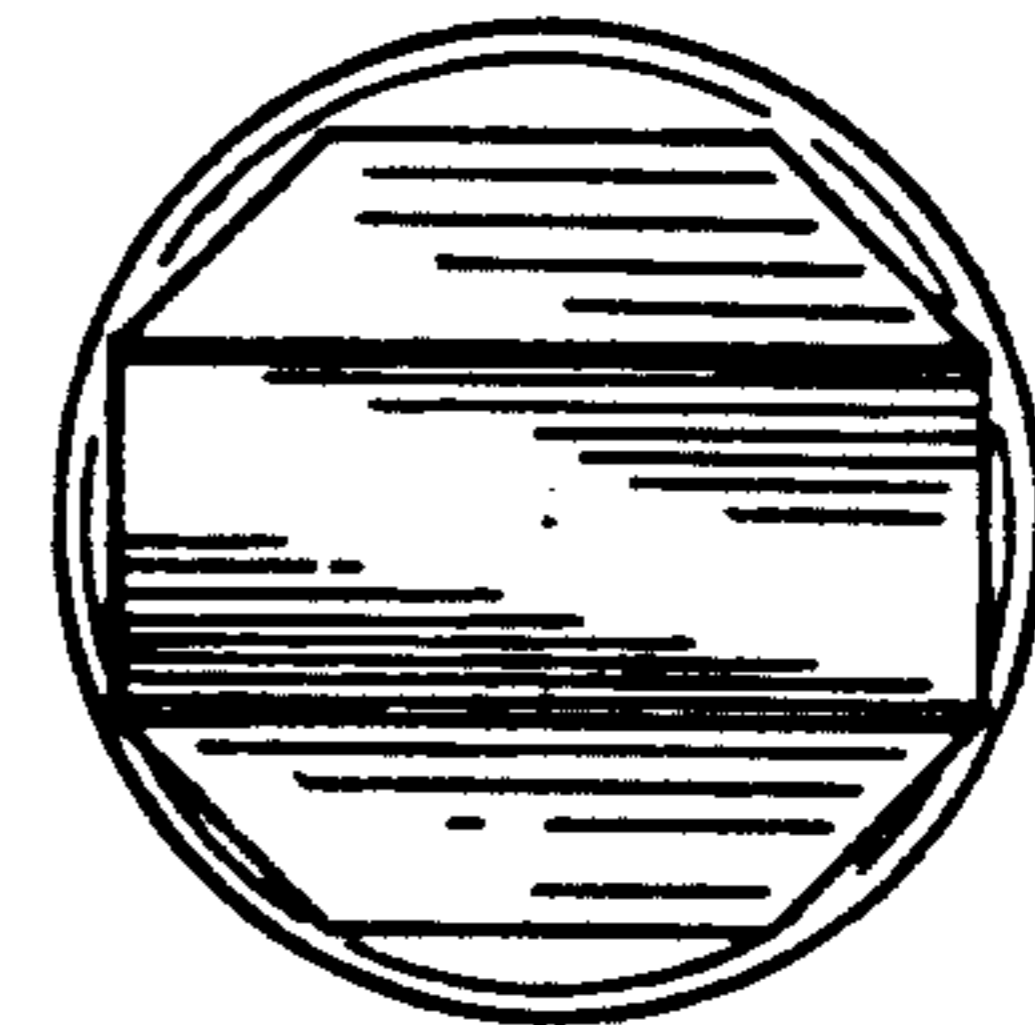


FIG. 5

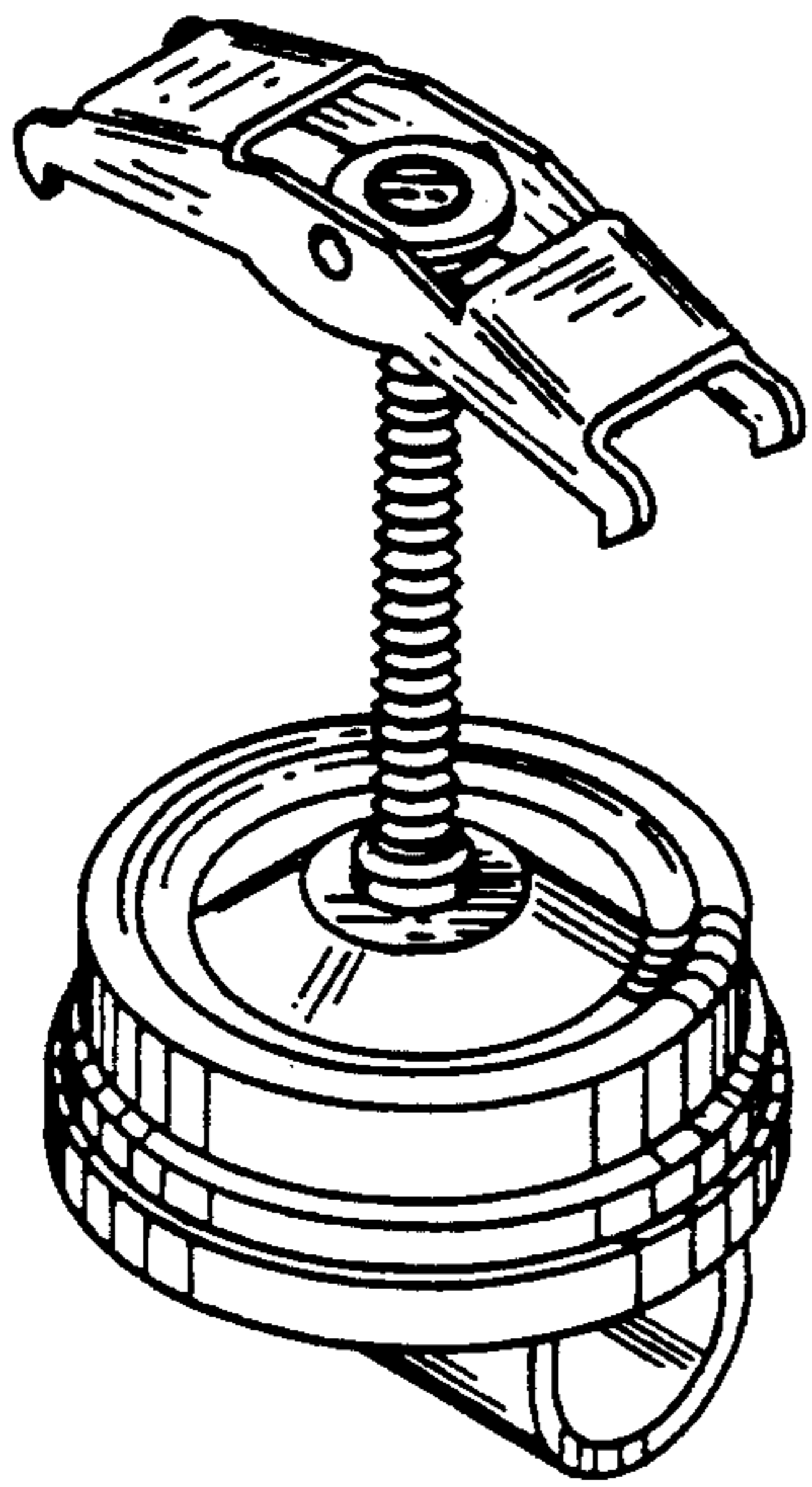


FIG. 6

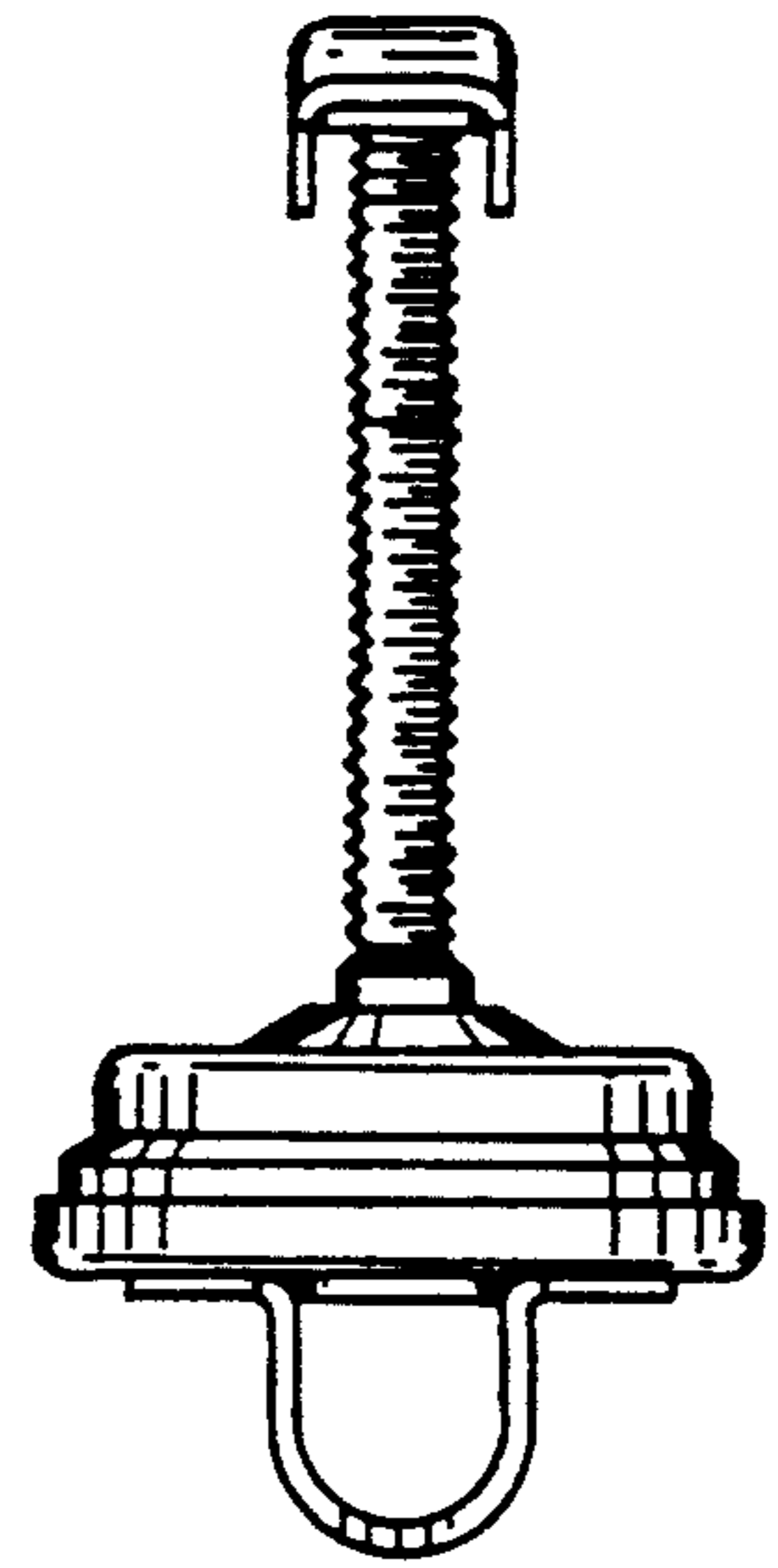


FIG. 7

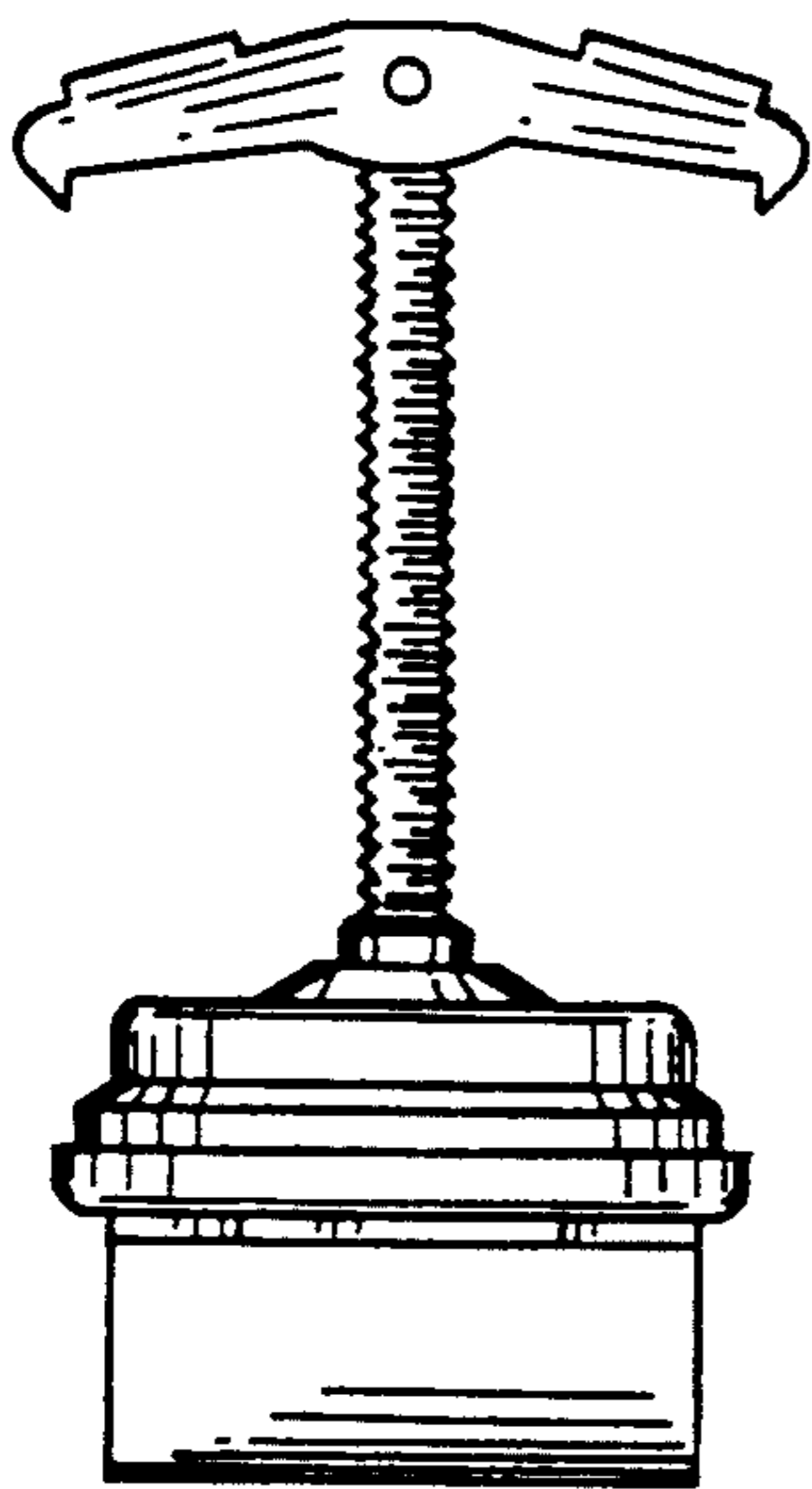


FIG. 8

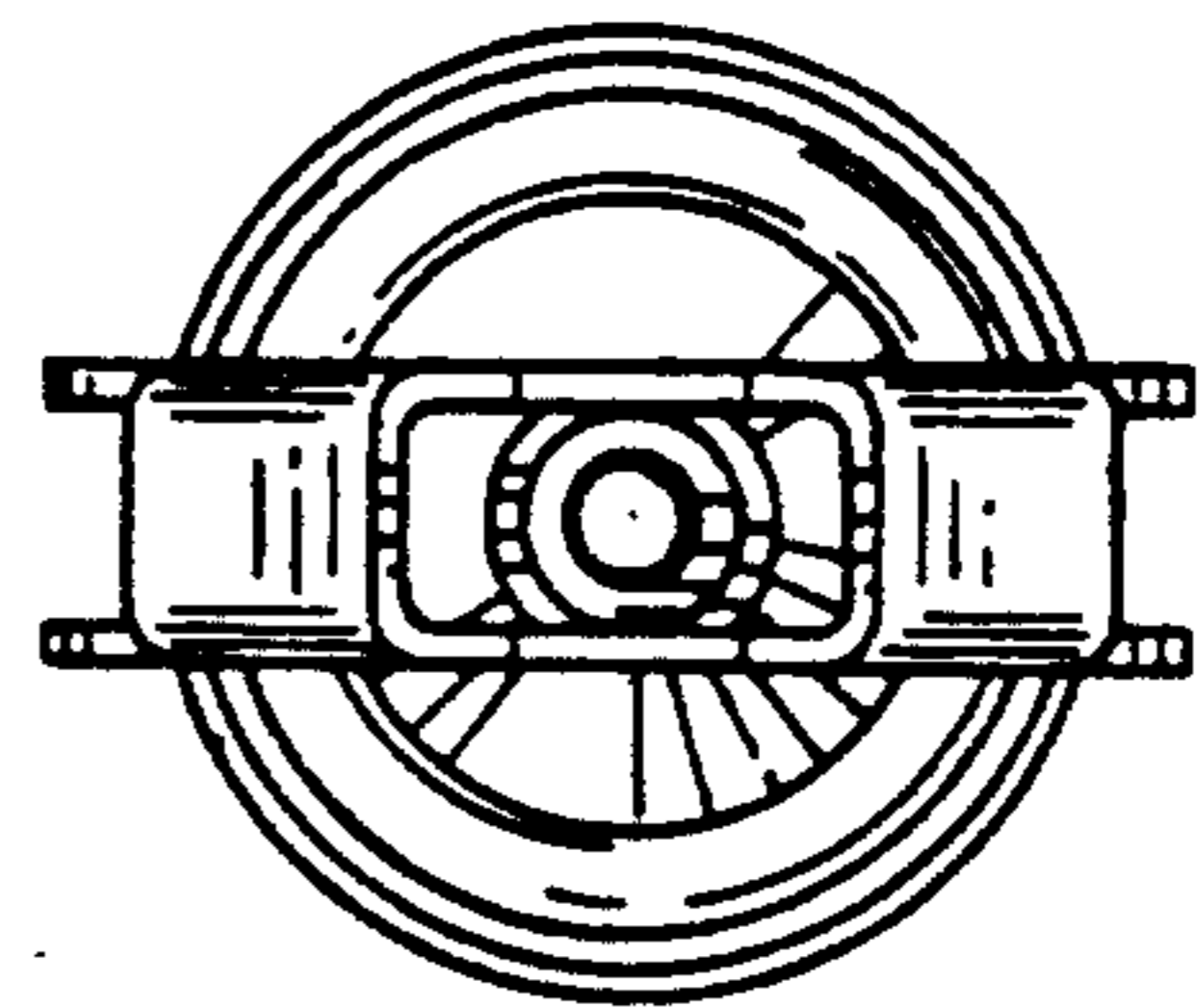


FIG. 9

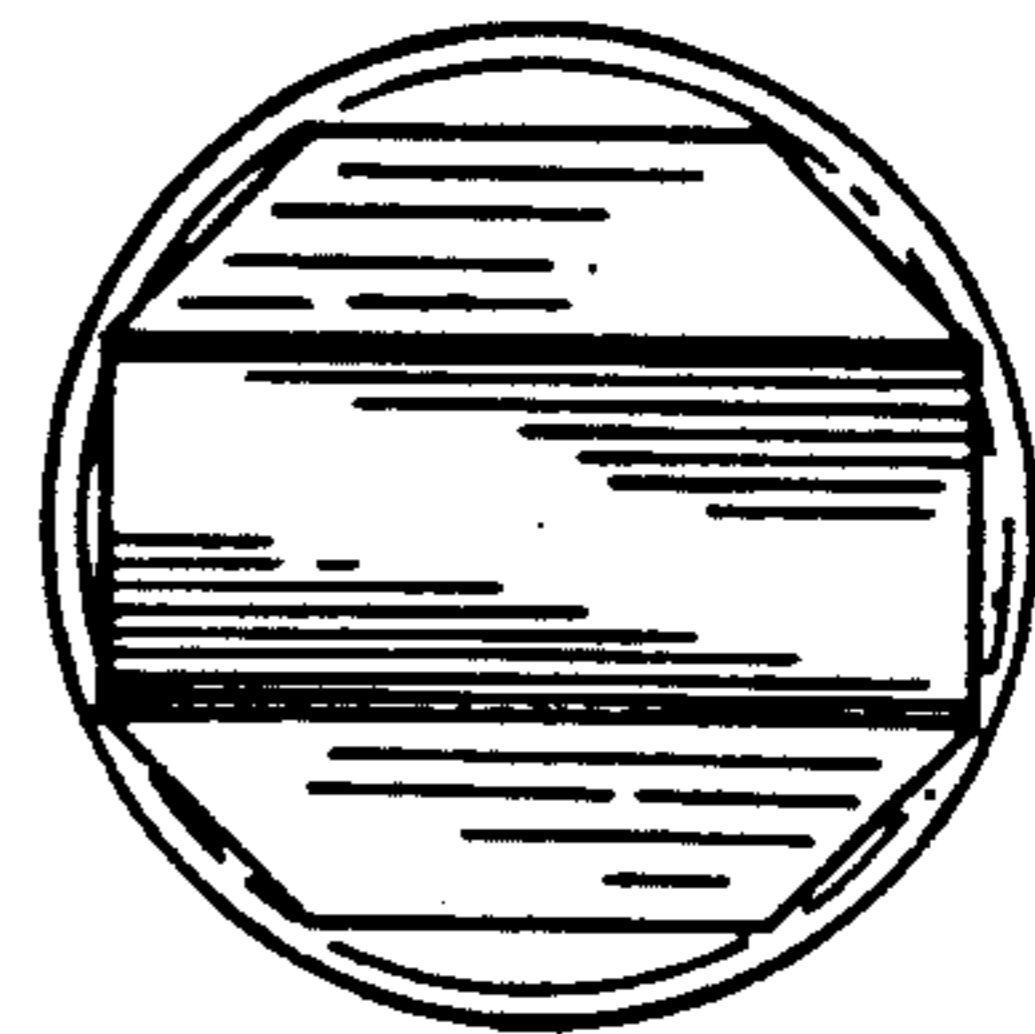


FIG. 10