



US00D341137S

United States Patent [19]

Hattori

[11] Patent Number: **Des. 341,137**

[45] Date of Patent: **** Nov. 9, 1993**

[54] **TRANSCEIVER**

D. 323,826 2/1992 Suzuki et al. D14/137

[75] Inventor: **Naofumi Hattori, Tokyo, Japan**

[73] Assignee: **Sony Corporation, Tokyo, Japan**

[**] Term: **14 Years**

[21] Appl. No.: **815,360**

[22] Filed: **Dec. 31, 1991**

[30] **Foreign Application Priority Data**

Aug. 14, 1991 [JP] Japan 3-24604

[52] U.S. Cl. **D14/137**

[58] Field of Search D14/124, 137, 138, 155,
D14/159, 299; 455/73, 89, 90, 92, 100, 128

[56] **References Cited**

U.S. PATENT DOCUMENTS

D. 282,661 2/1986 Imazeki D14/137 X

D. 310,523 9/1990 Hino et al. D14/137

OTHER PUBLICATIONS

Hong Kong Enterprise, Nov. 1988, p. 431, bottom left—Item MA-8998, All Weather I.C. Sports Radio.

Primary Examiner—Theodore M. Shooman
Attorney, Agent, or Firm—Lewis H. Eslinger; Jay H. Maioli

[57] **CLAIM**

The ornamental design for a transceiver, as shown and described.

DESCRIPTION

FIG. 1 is a top view showing the new design;
FIG. 2 is a left-side view thereof;
FIG. 3 is a front view thereof;
FIG. 4 is a right-side view thereof;
FIG. 5 is a backview thereof; and,
FIG. 6 is a bottom plan view.

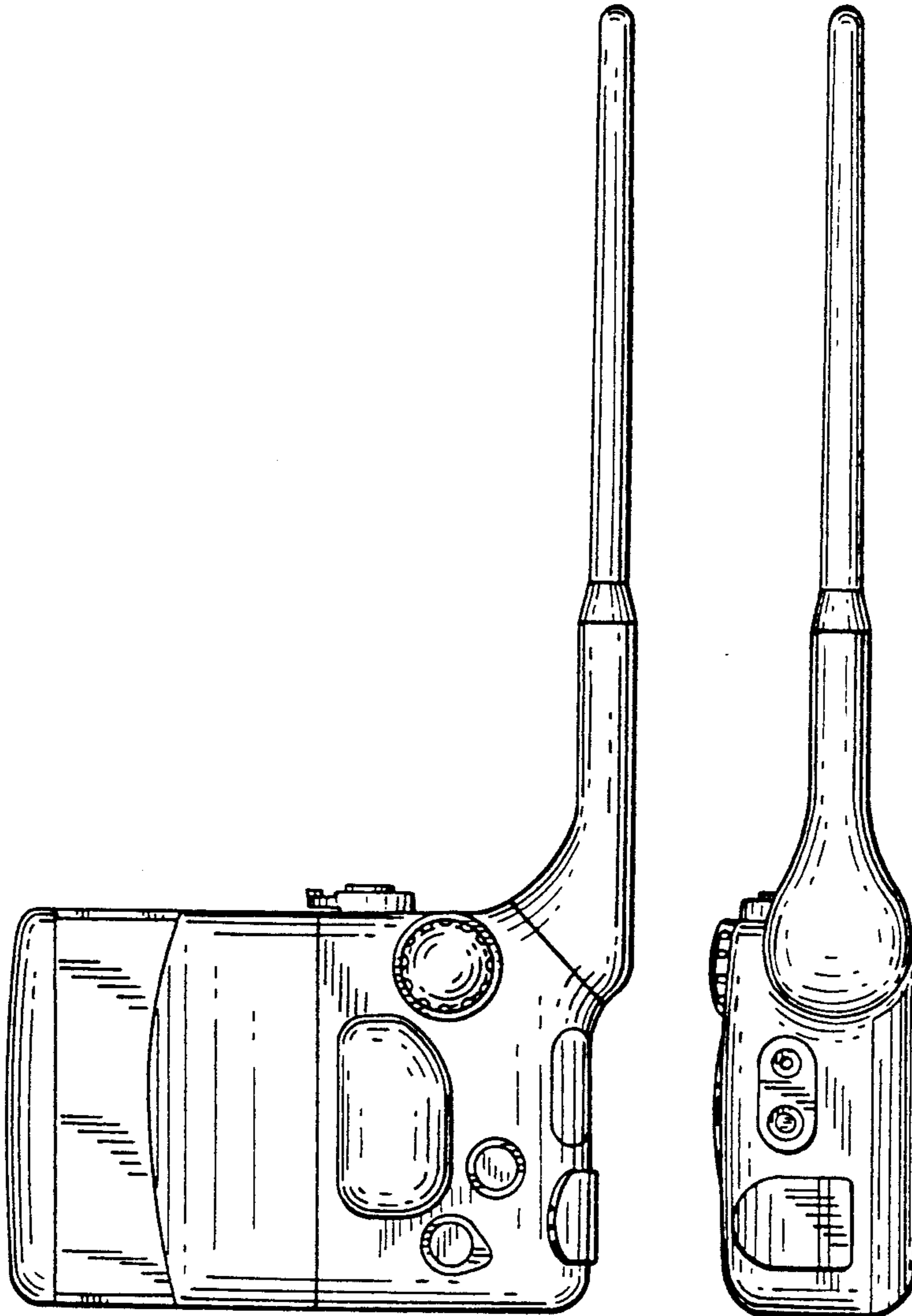


FIG. 1

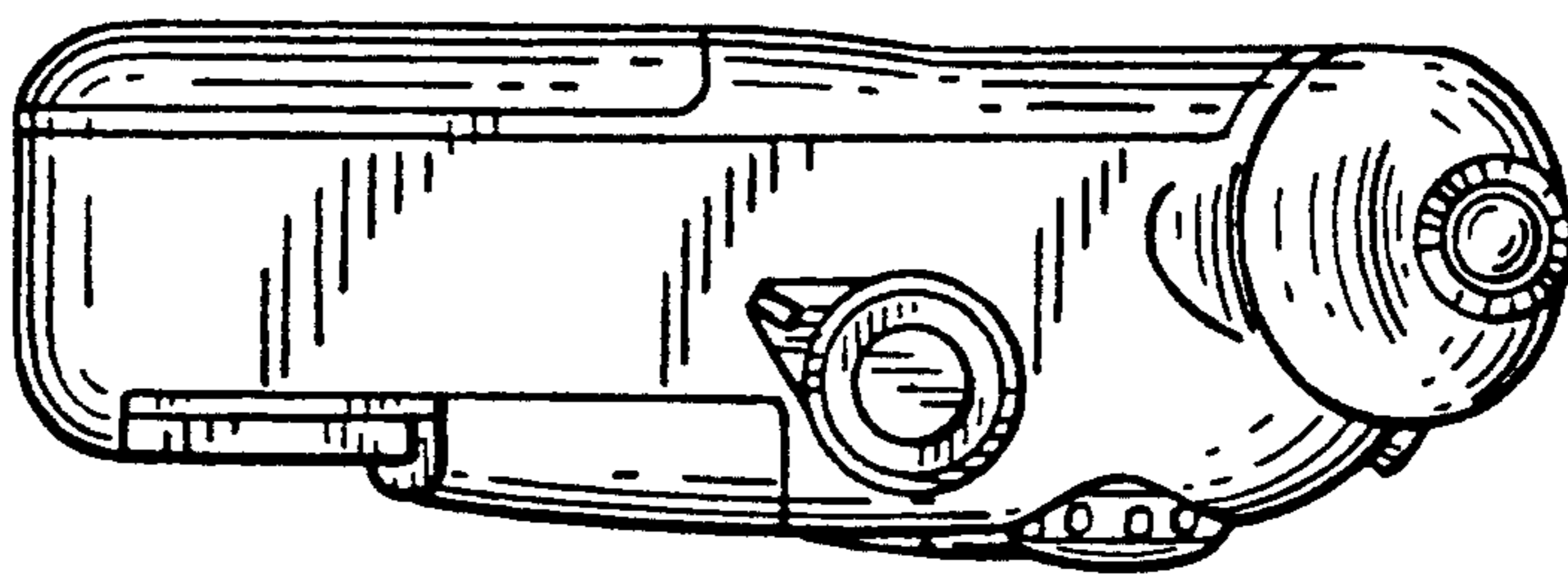


FIG. 2

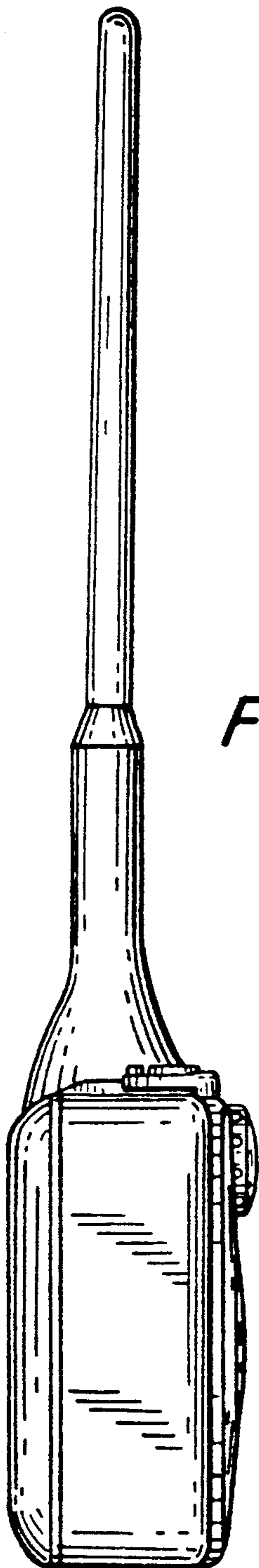


FIG. 3

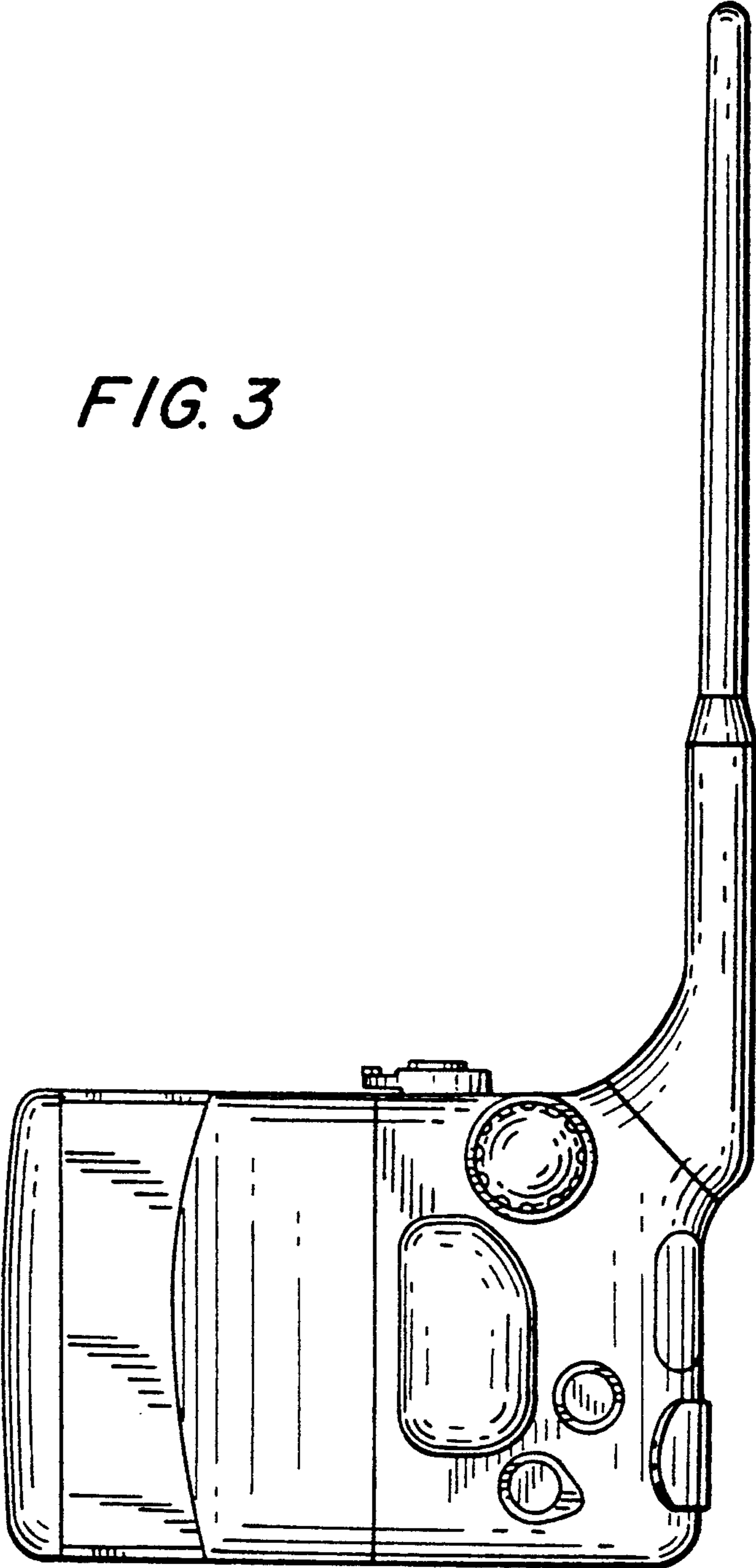


FIG. 6

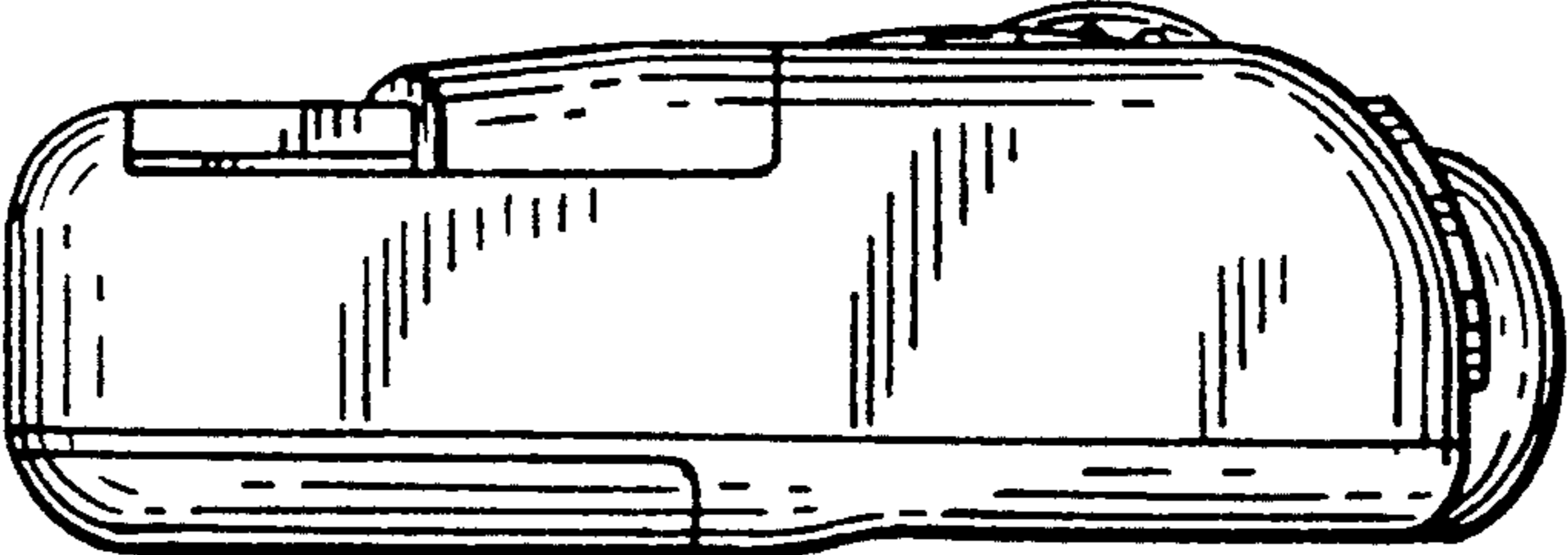


FIG. 4

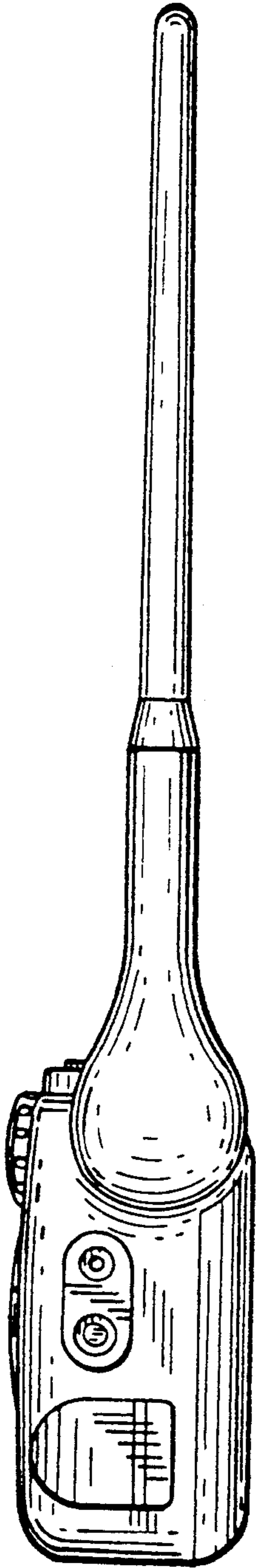


FIG. 5

