



US00D341129S

United States Patent [19]
McCormick

[11] **Patent Number: Des. 341,129**

[45] **Date of Patent: ** Nov. 9, 1993**

[54] **REMOTELY LOCATED CONTROLLER**

[75] **Inventor: John McCormick, Perris, Calif.**

[73] **Assignee: Authors Family Trust, Los Angeles, Calif.**

[**] **Term: 14 Years**

[21] **Appl. No.: 934,189**

[22] **Filed: Aug. 21, 1992**

D. 205,856	9/1966	Beerbaum	D10/40
D. 253,234	10/1979	Cooke	D13/168
D. 262,619	1/1982	Antos et al.	D8/353 X
3,522,393	7/1970	Barnathy et al.	D10/40
4,280,063	7/1981	Yokomori et al.	D13/158 X

Primary Examiner—Wallace R. Burke
Assistant Examiner—Joel Sincavage
Attorney, Agent, or Firm—Small Larkin & Kidde

Related U.S. Application Data

[63] Continuation of Ser. No. 346,827, May 3, 1989, abandoned.

[52] **U.S. Cl.** **D13/168**

[58] **Field of Search** D13/132, 168; D10/40, D10/80, 122, 123, 126; 200/5 R, 19 L, 27 B, 43.03, 43.04, 43.08, 43.22, 61.45 R, 193, 296, 297, 298, 331

References Cited

U.S. PATENT DOCUMENTS

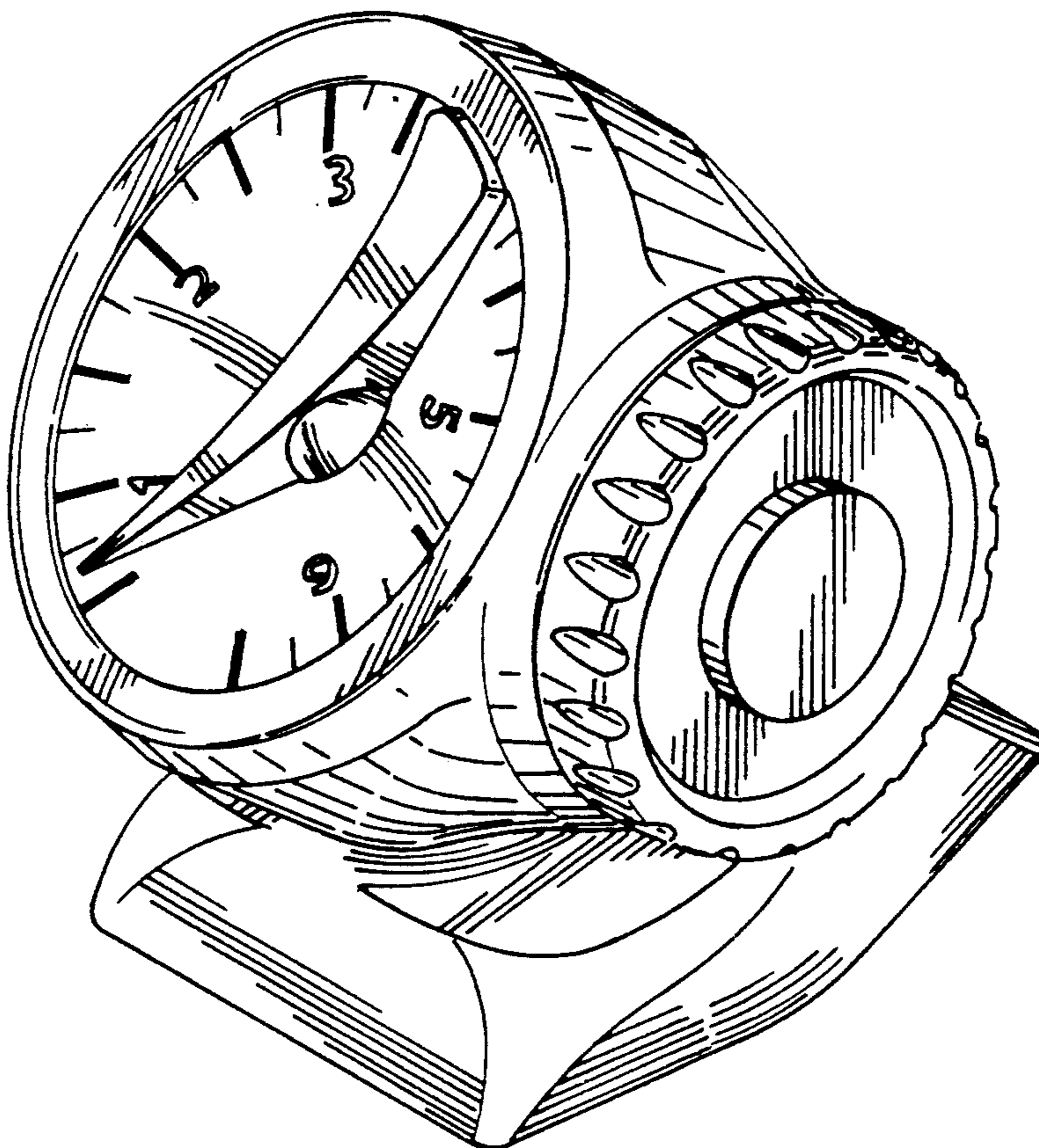
D. 198,684 7/1964 Kerr D10/123 X

[57] **CLAIM**

The ornamental design for a remotely located controller, as shown and described.

DESCRIPTION

FIG. 1 is a perspective view of a remotely located controller showing my new design;
FIG. 2 is a right side elevational view thereof;
FIG. 3 is a front view taken along a plane parallel to the rim surface of the dial;
FIG. 4 is a top plan view thereof;
FIG. 5 is a back elevational view thereof;
FIG. 6 is a left side elevational view thereof;
FIG. 7 is a bottom plan view thereof; and,
FIG. 8 is a rear and upper left perspective view thereof.



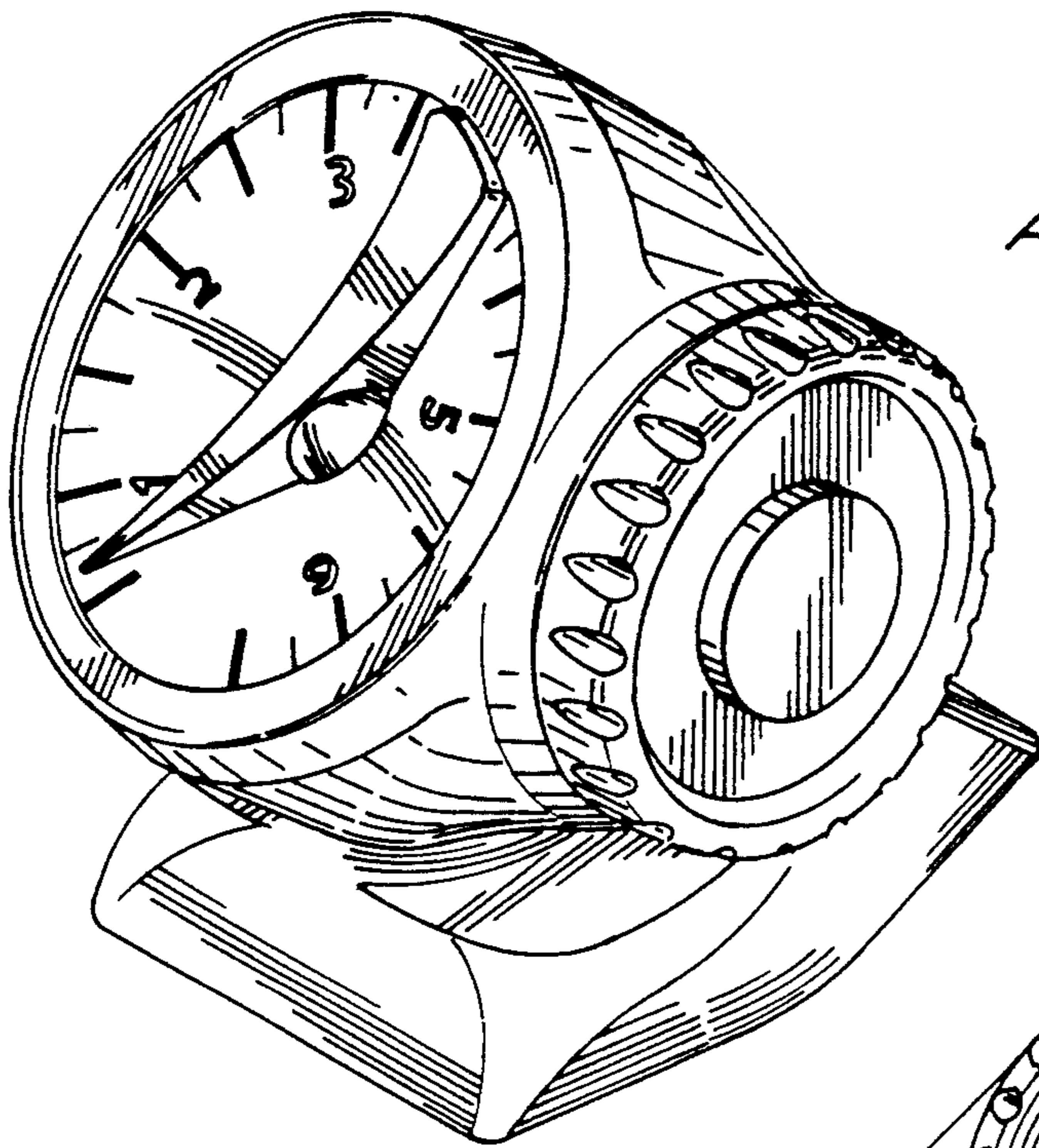


FIG. 1.

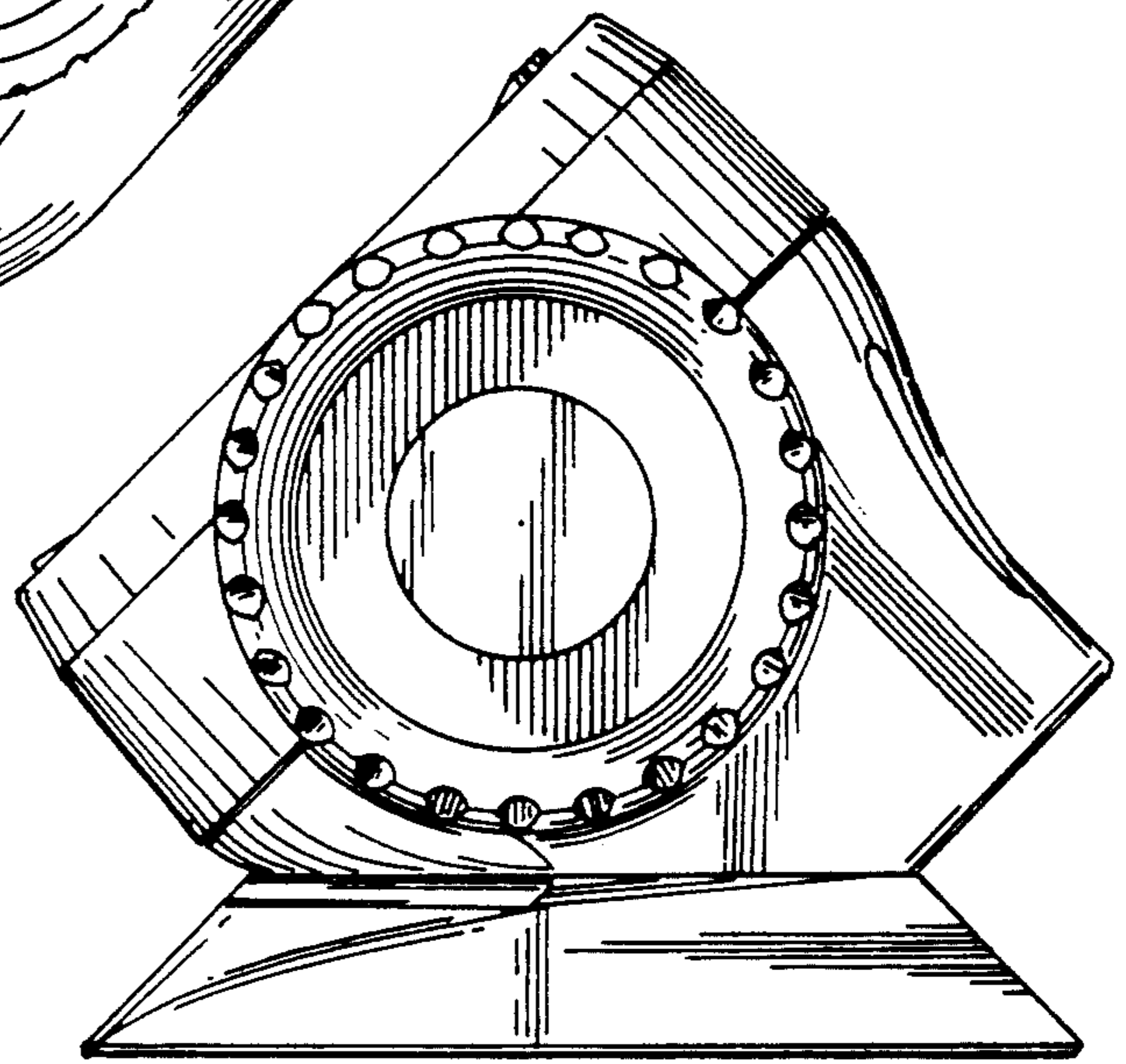


FIG. 2.

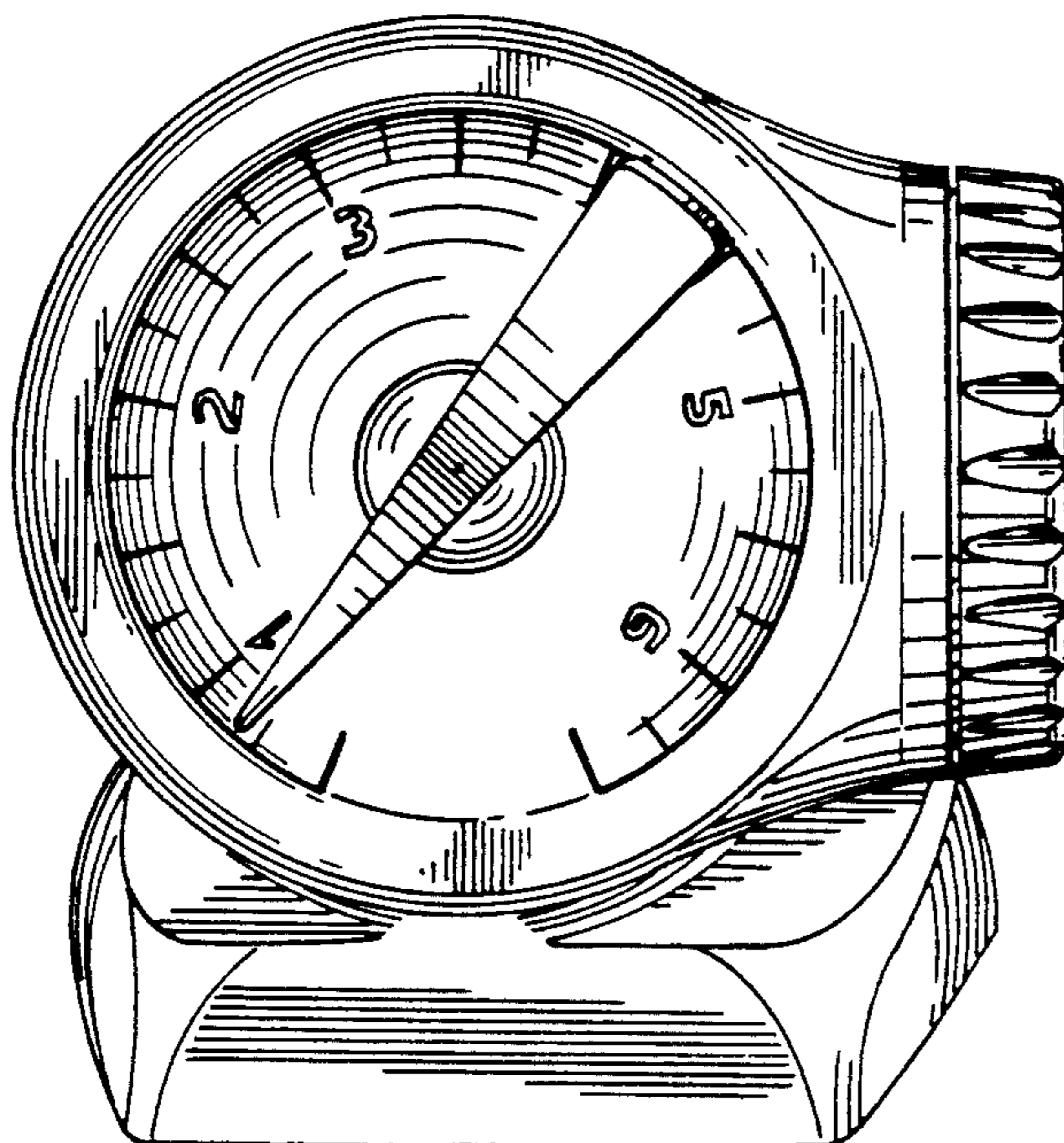


FIG. 3.

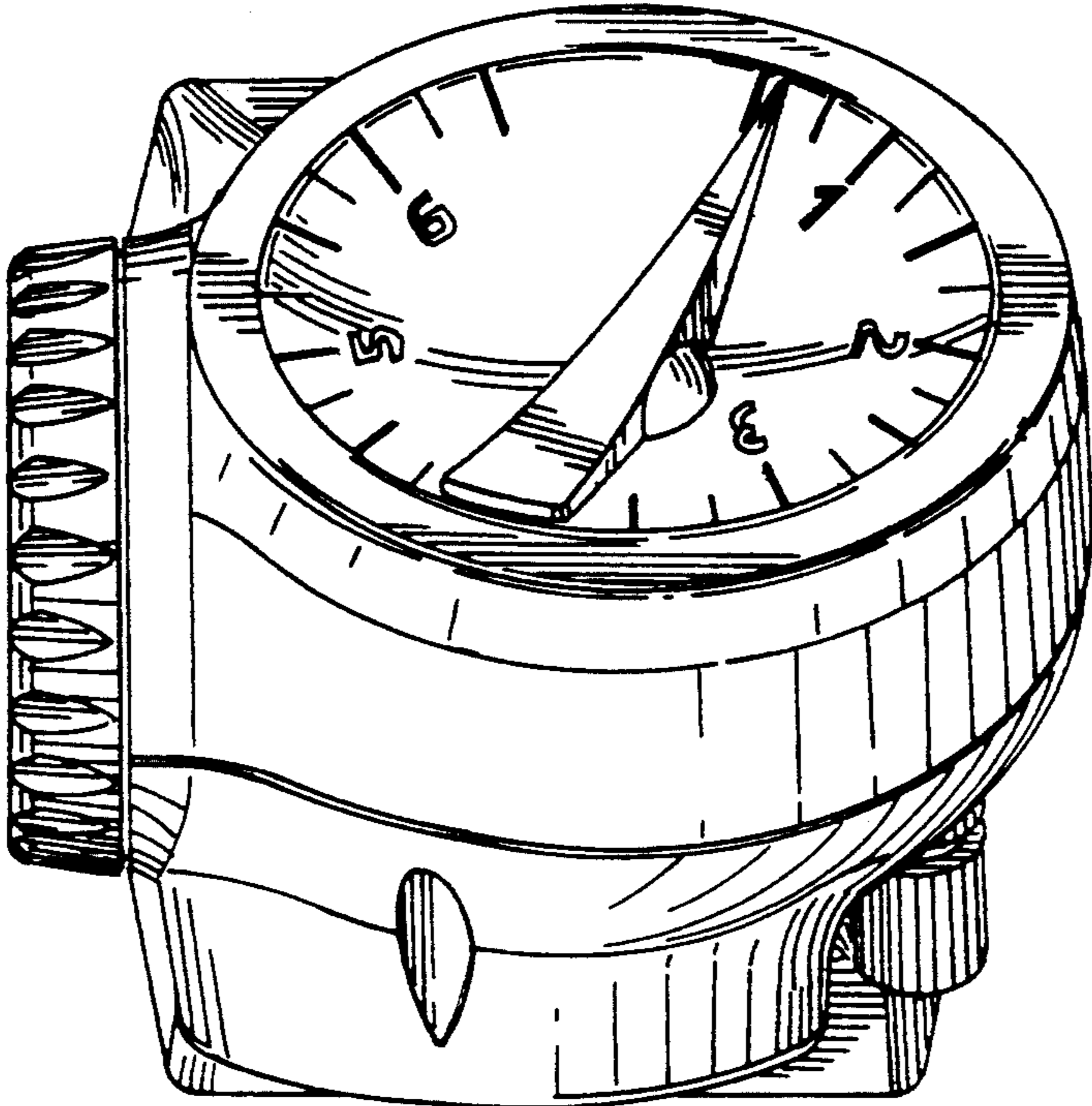


FIG. 4.

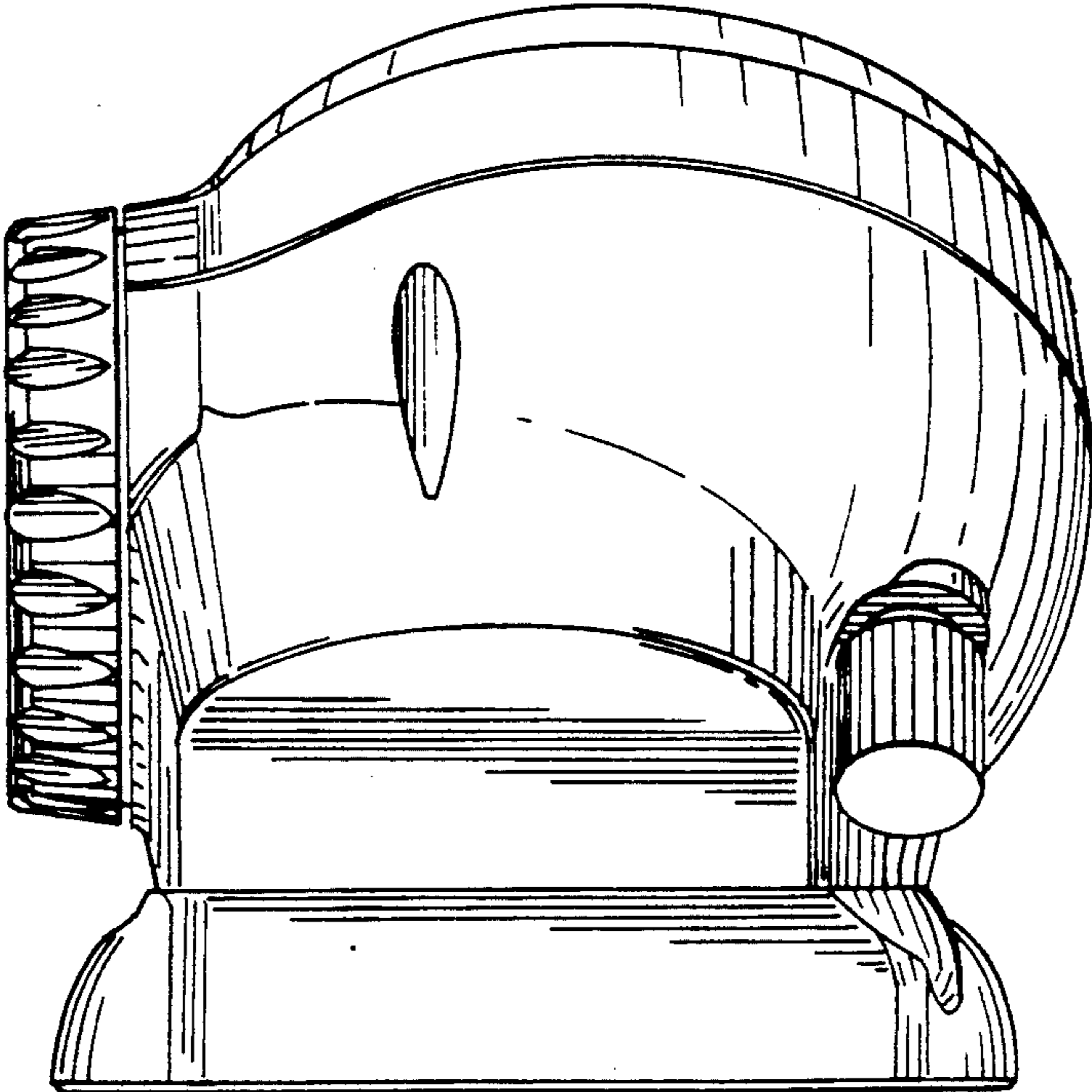


FIG. 5.

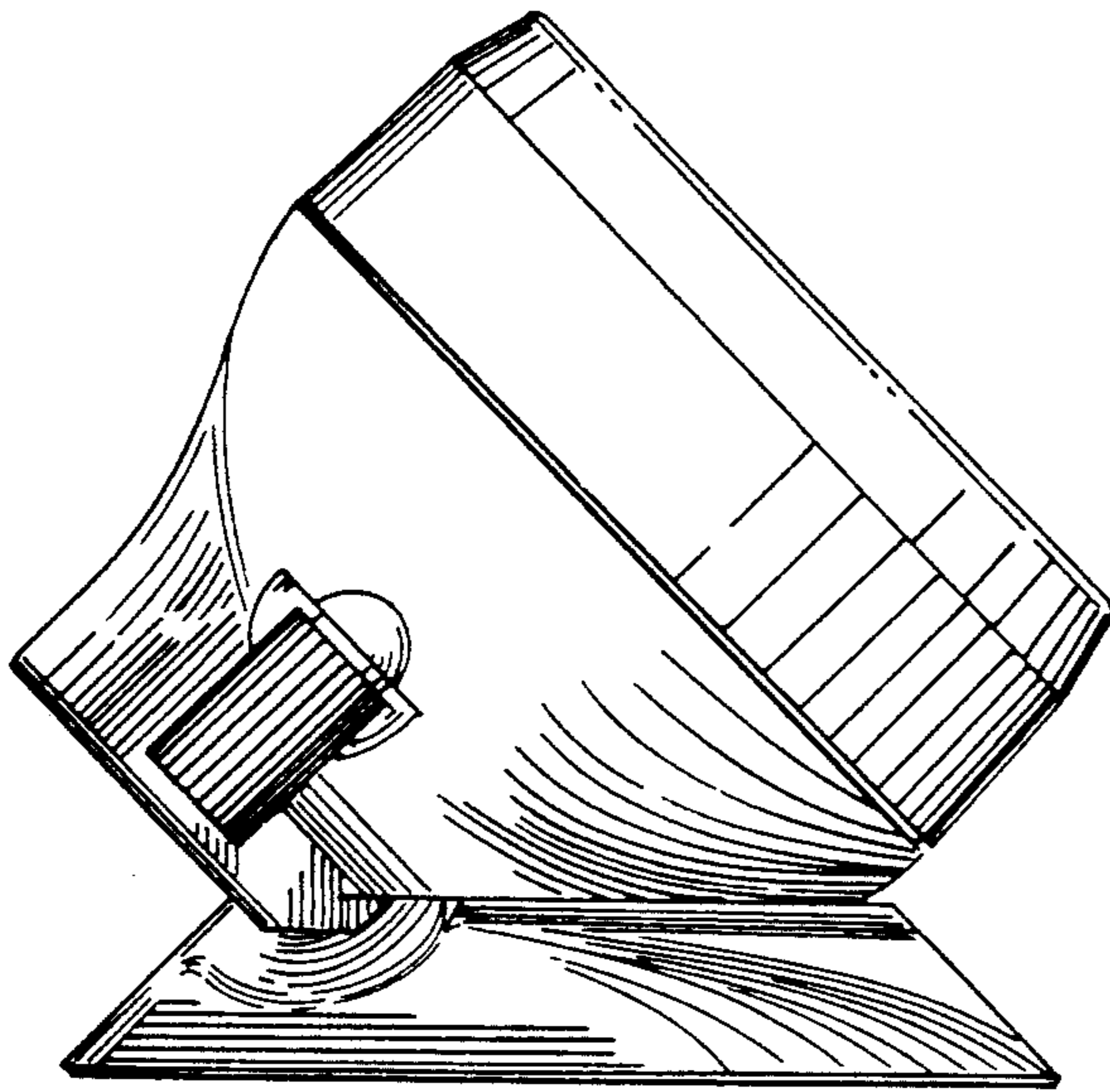


FIG. 6.

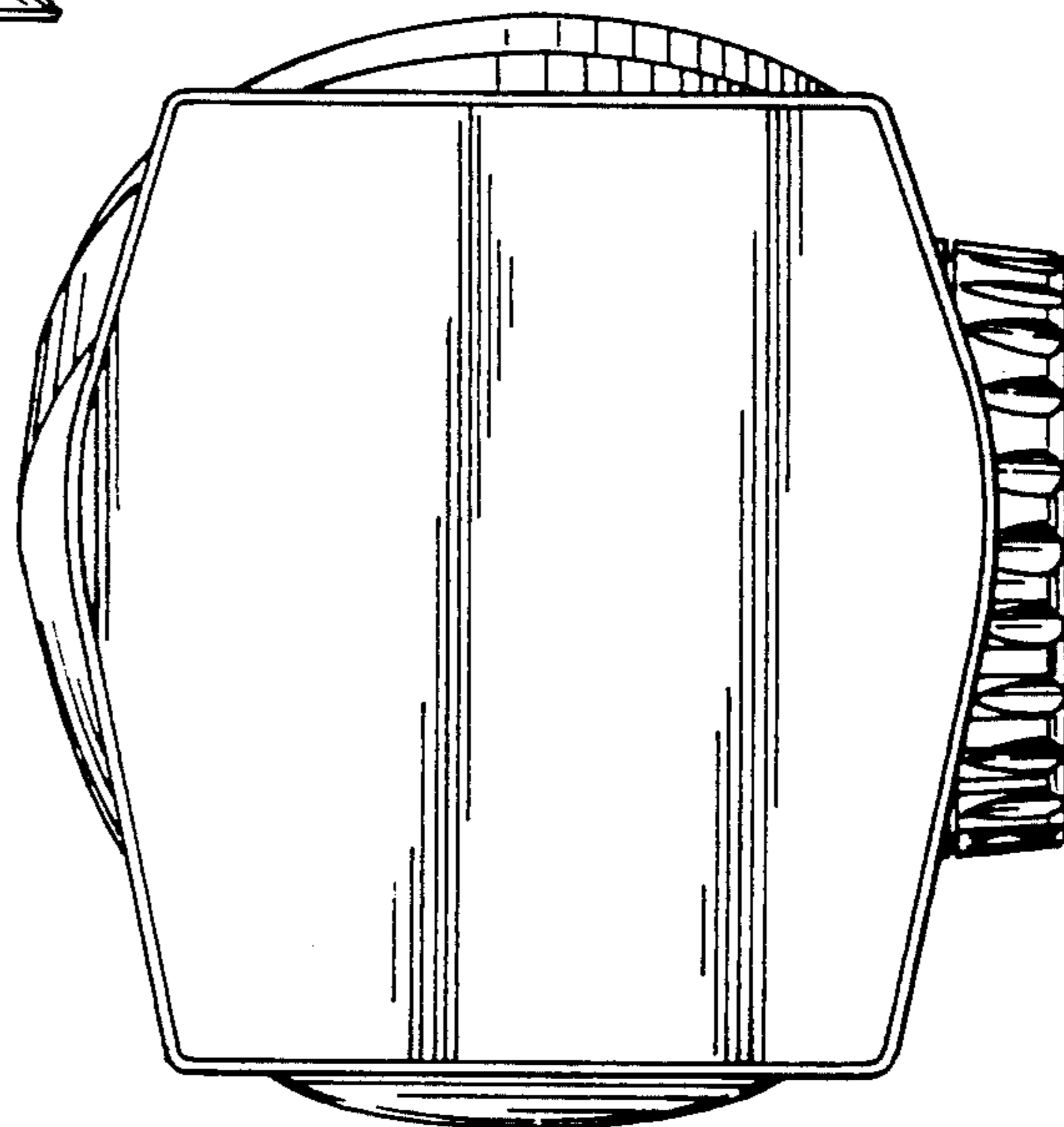


FIG. 7.

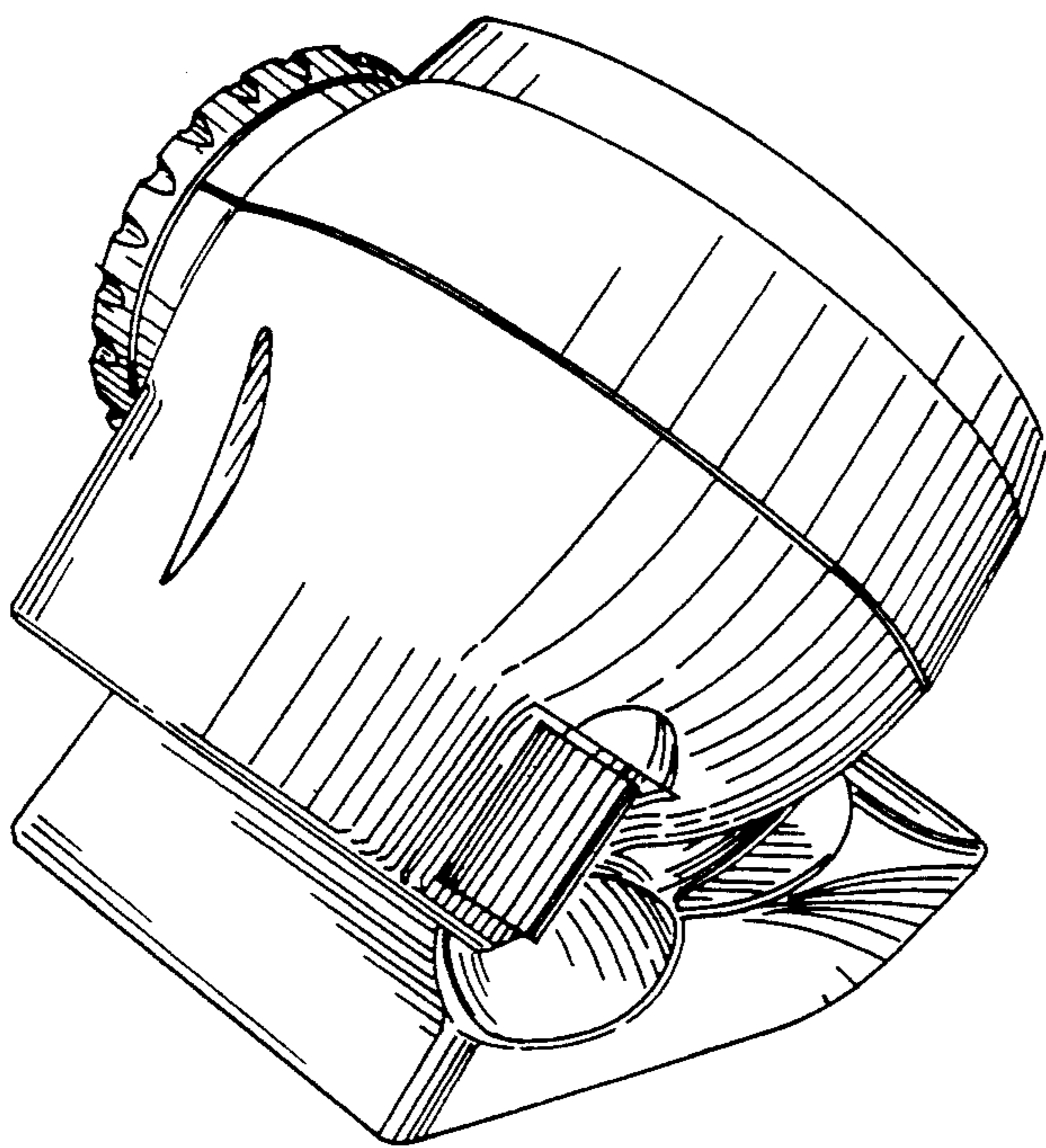


FIG. 8.