



US00D341124S

United States Patent [19]

[11] Patent Number: **Des. 341,124**

Krokaugger

[45] Date of Patent: **** Nov. 9, 1993**

[54] **ELECTRIC POWER DISTRIBUTION UNIT**

3,717,805	2/1973	Gnaedinger et al.	307/150 X
4,331,883	5/1982	Vitaloni	D13/110 X
4,390,926	6/1983	Hart	361/334
4,666,116	5/1987	Lloyd	D8/394 X

[75] Inventor: **William G. Krokaugger**, Chatsworth, Calif.

[73] Assignee: **Mole-Richardson Co.**, Hollywood, Calif.

Primary Examiner—Wallace R. Burke
Assistant Examiner—Joel Sincavage
Attorney, Agent, or Firm—Edward A. Sokolski

[**] Term: **14 Years**

[57] **CLAIM**

[21] Appl. No.: **562,146**

The ornamental design for an electric power distribution unit, as shown and described.

[22] Filed: **Aug. 3, 1990**

DESCRIPTION

[52] U.S. Cl. **D13/123; D13/110**

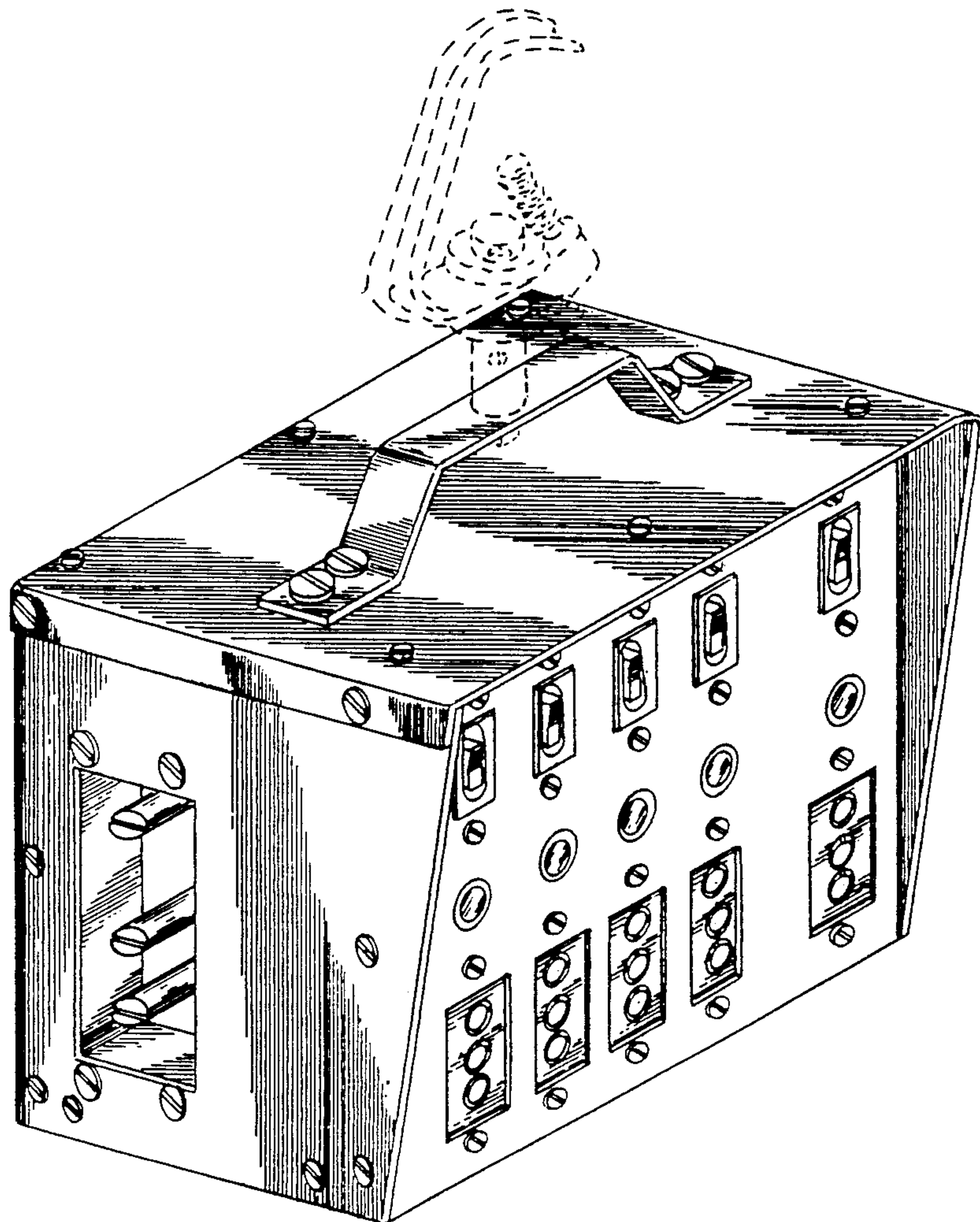
[58] Field of Search **D13/110, 123, 124; D8/394, 396; 307/150; 361/334, 346**

FIG. 1 is a front elevational view showing my new design for an electric power distribution unit; FIG. 2 is a top plan view thereof; FIG. 3 is a right hand side elevational view thereof; FIG. 4 is a left hand side elevational view thereof; FIG. 5 is a rear elevational view thereof; FIG. 6 is a bottom plan view thereof; FIG. 7 is a front and upper left perspective view thereof; and, FIG. 8 is a rear and upper right perspective view thereof.

[56] **References Cited**

U.S. PATENT DOCUMENTS

D. 210,731	4/1968	Siegel	D13/110
D. 221,957	9/1971	Smyth	D13/110
D. 242,113	11/1976	Mooney et al.	D8/394
D. 268,024	2/1983	Litt et al.	D13/110
D. 276,495	11/1984	Sylvia	D13/110 X
2,642,243	6/1953	Kindorf	D8/394 X



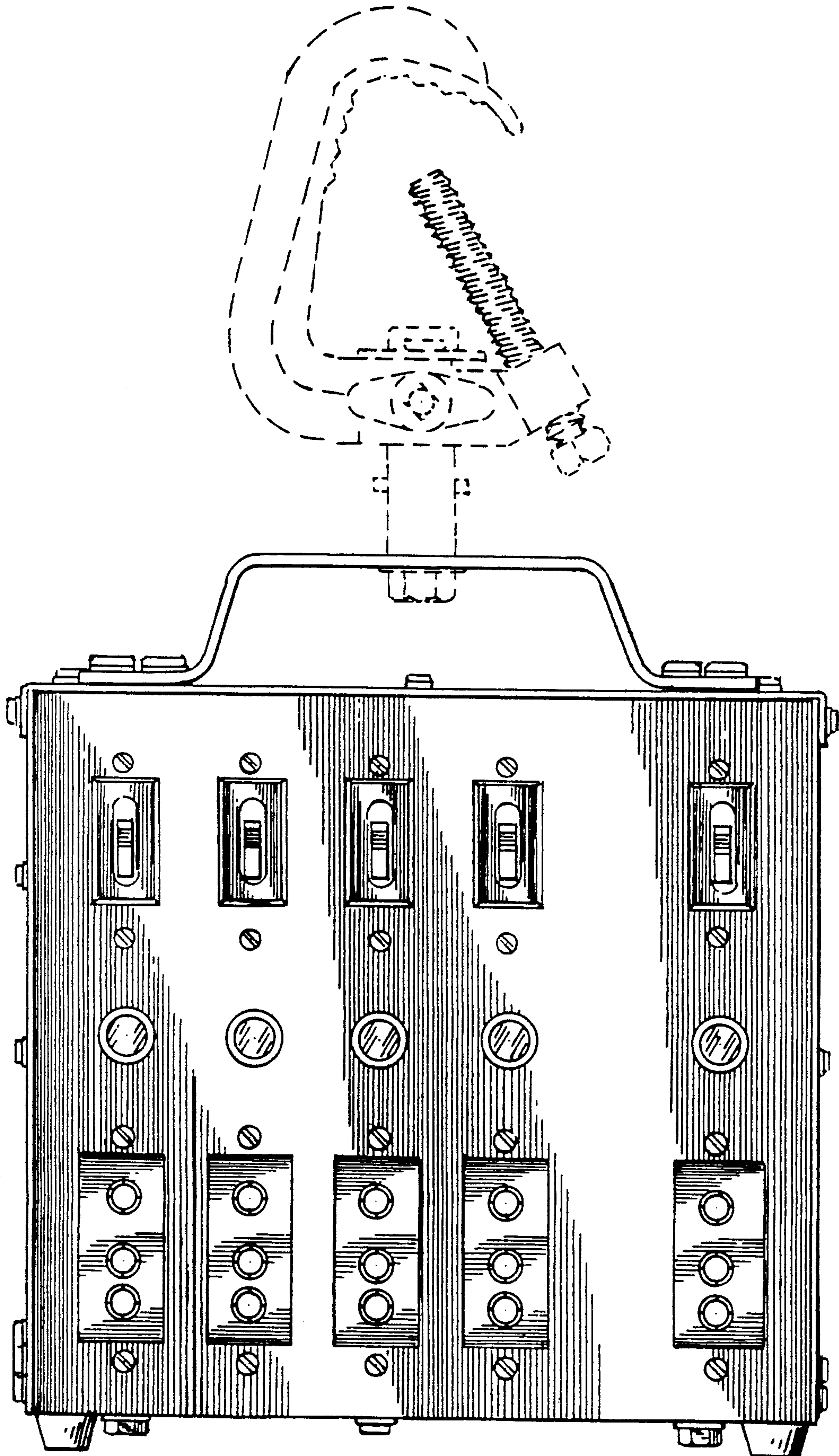


FIG. 1.

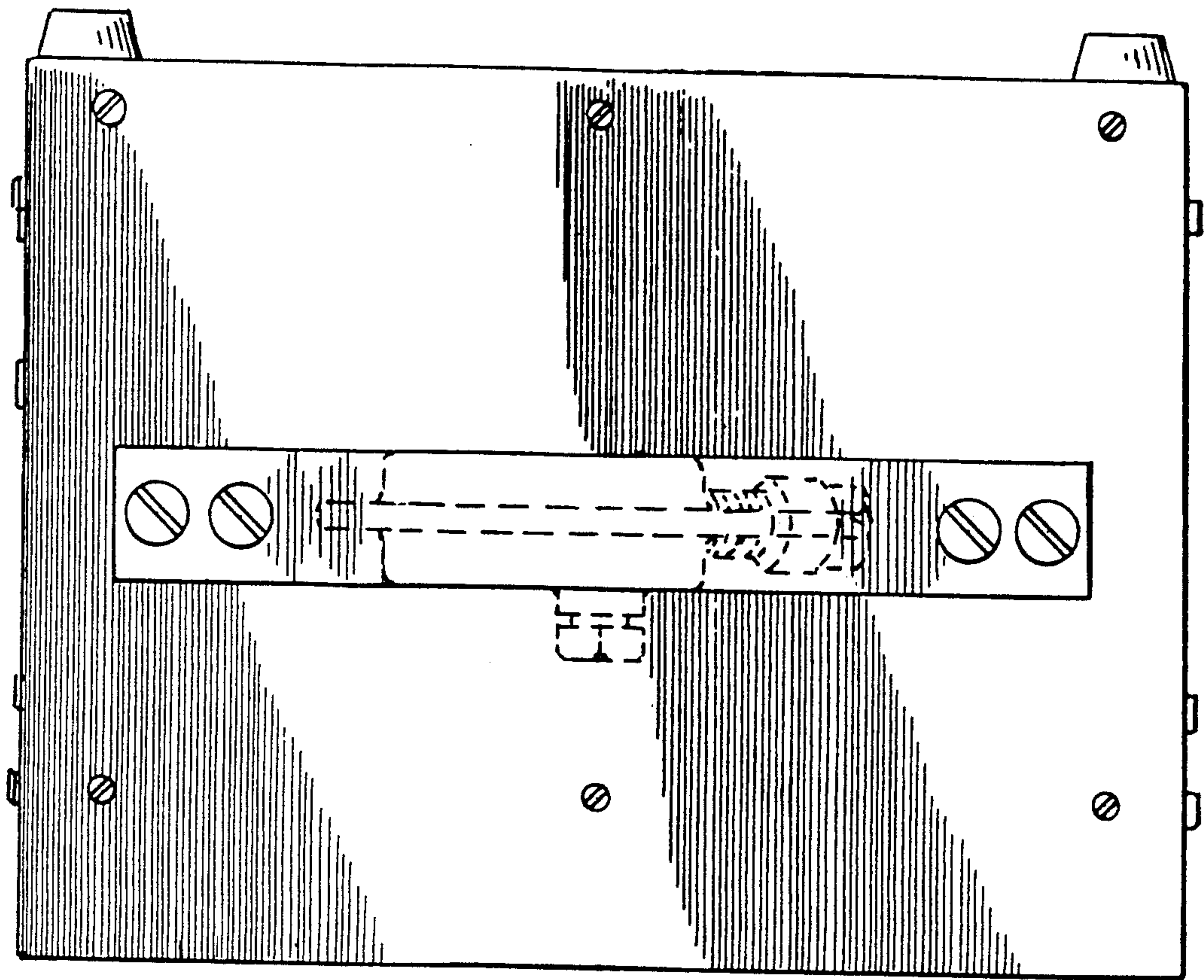


FIG. 2

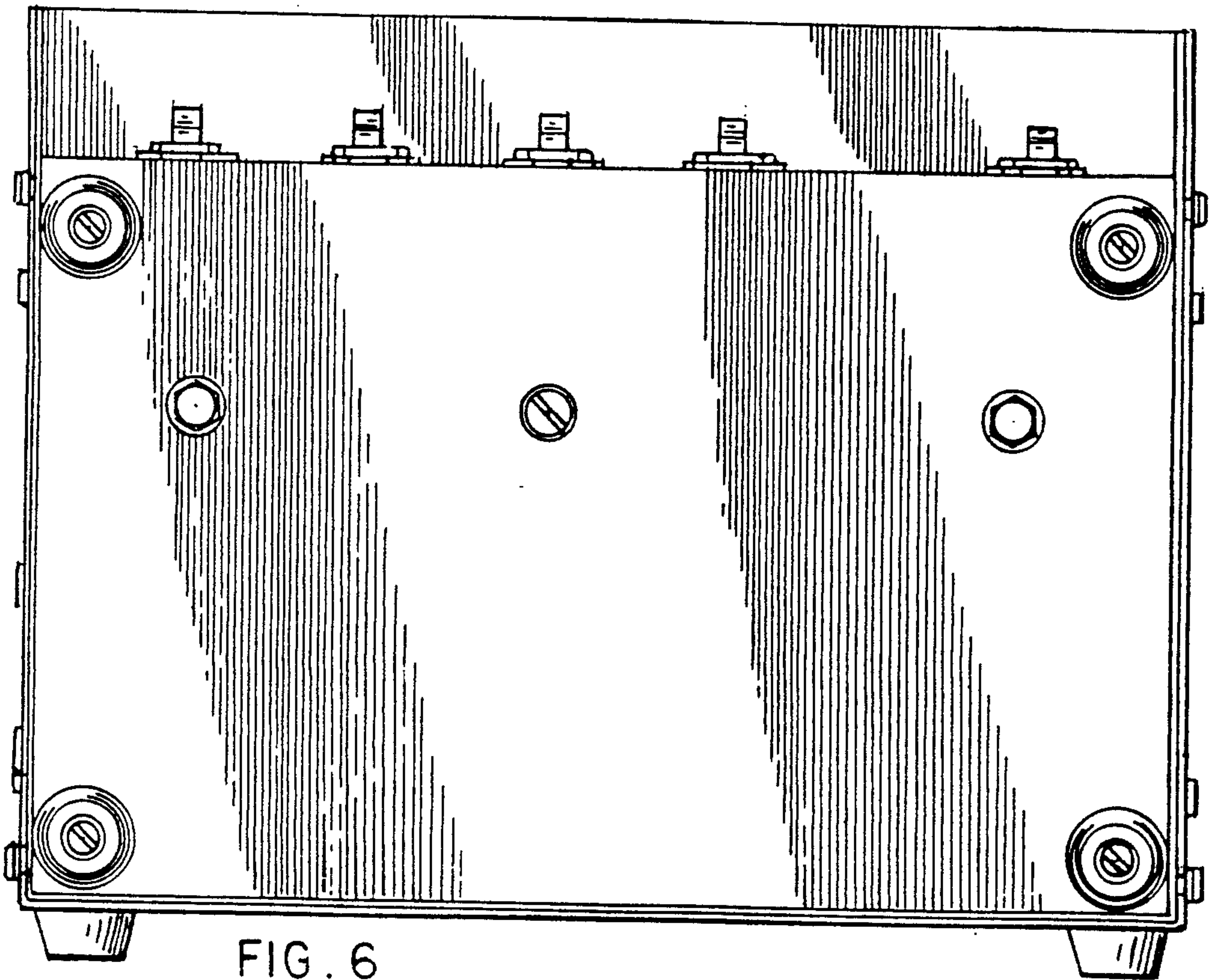


FIG. 6

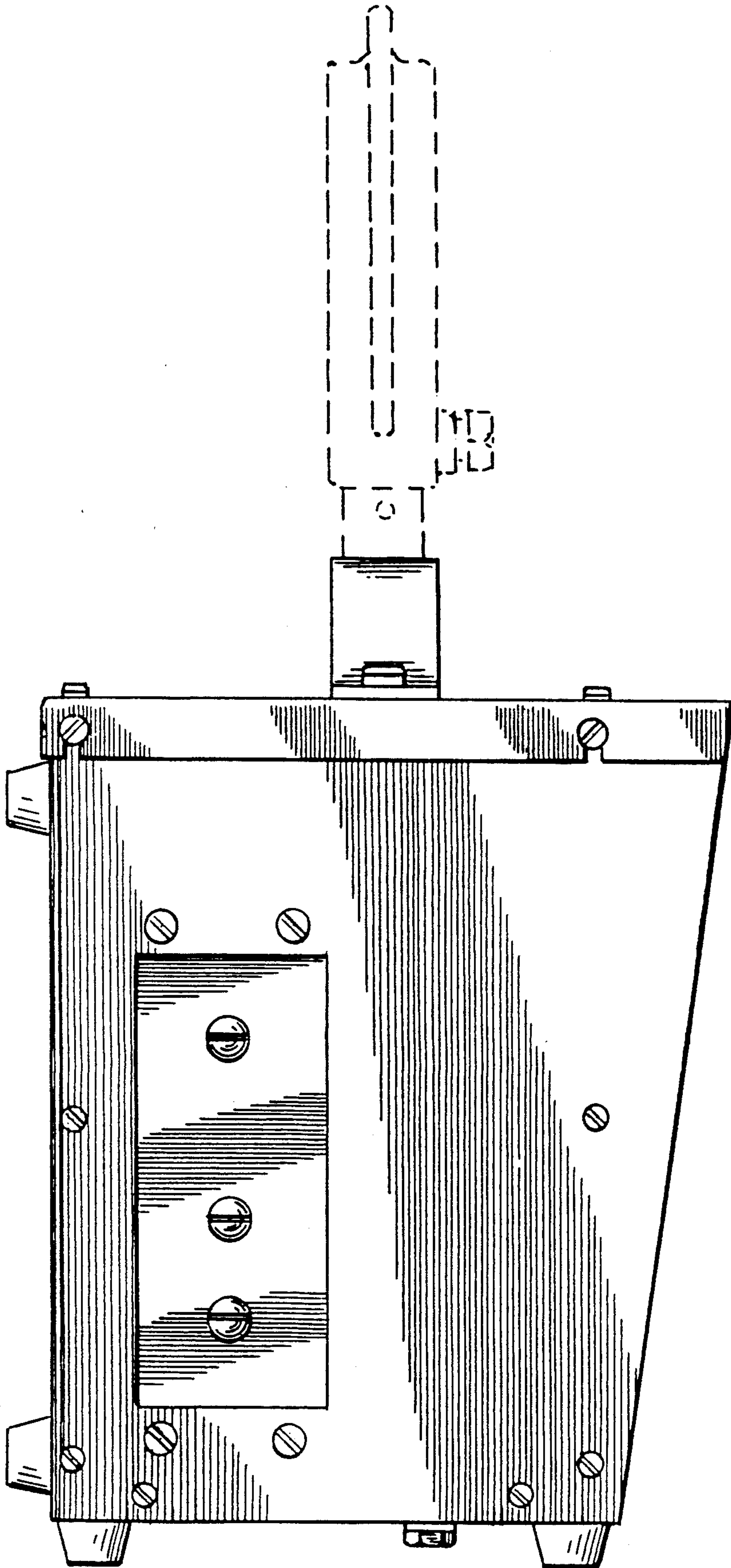


FIG. 3

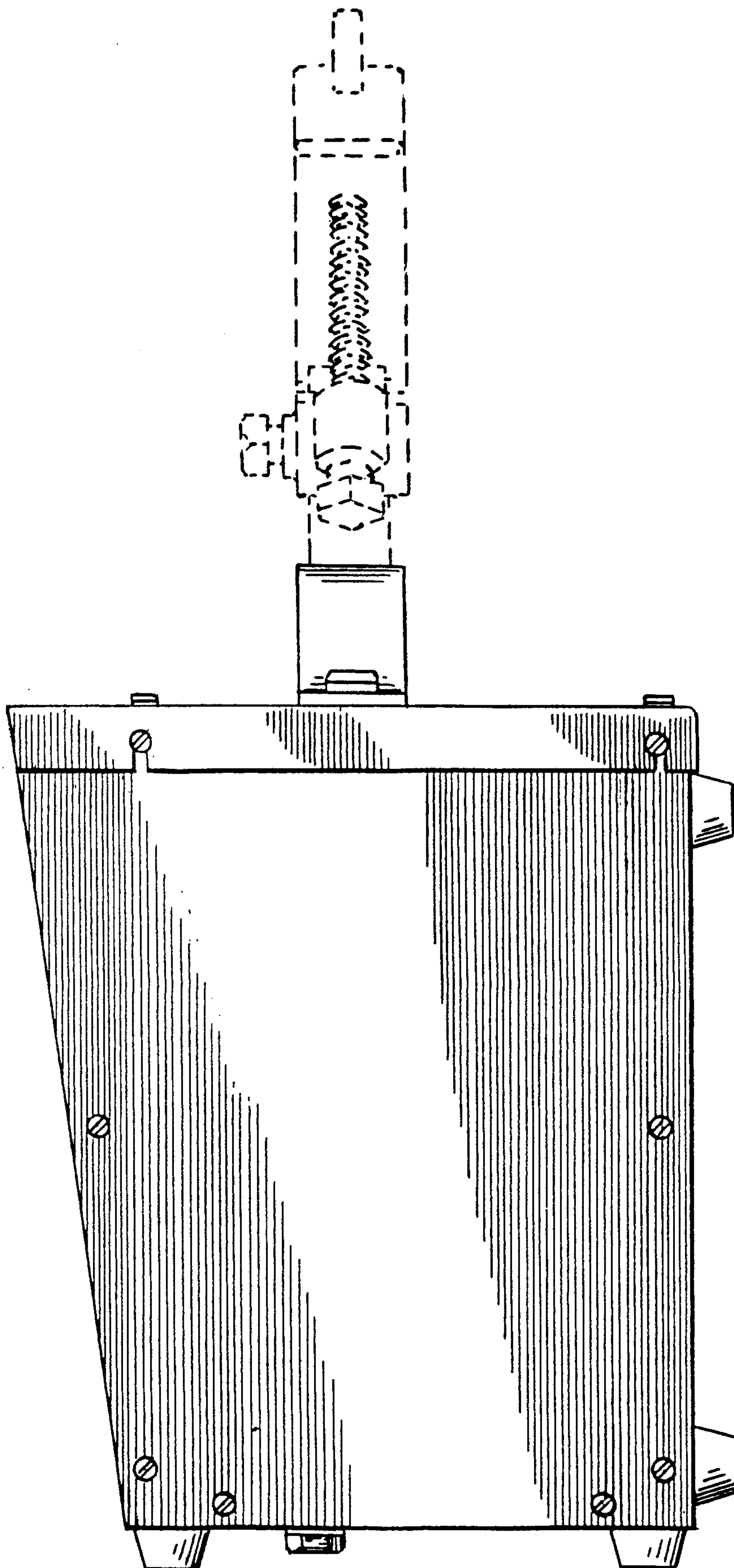


FIG. 4

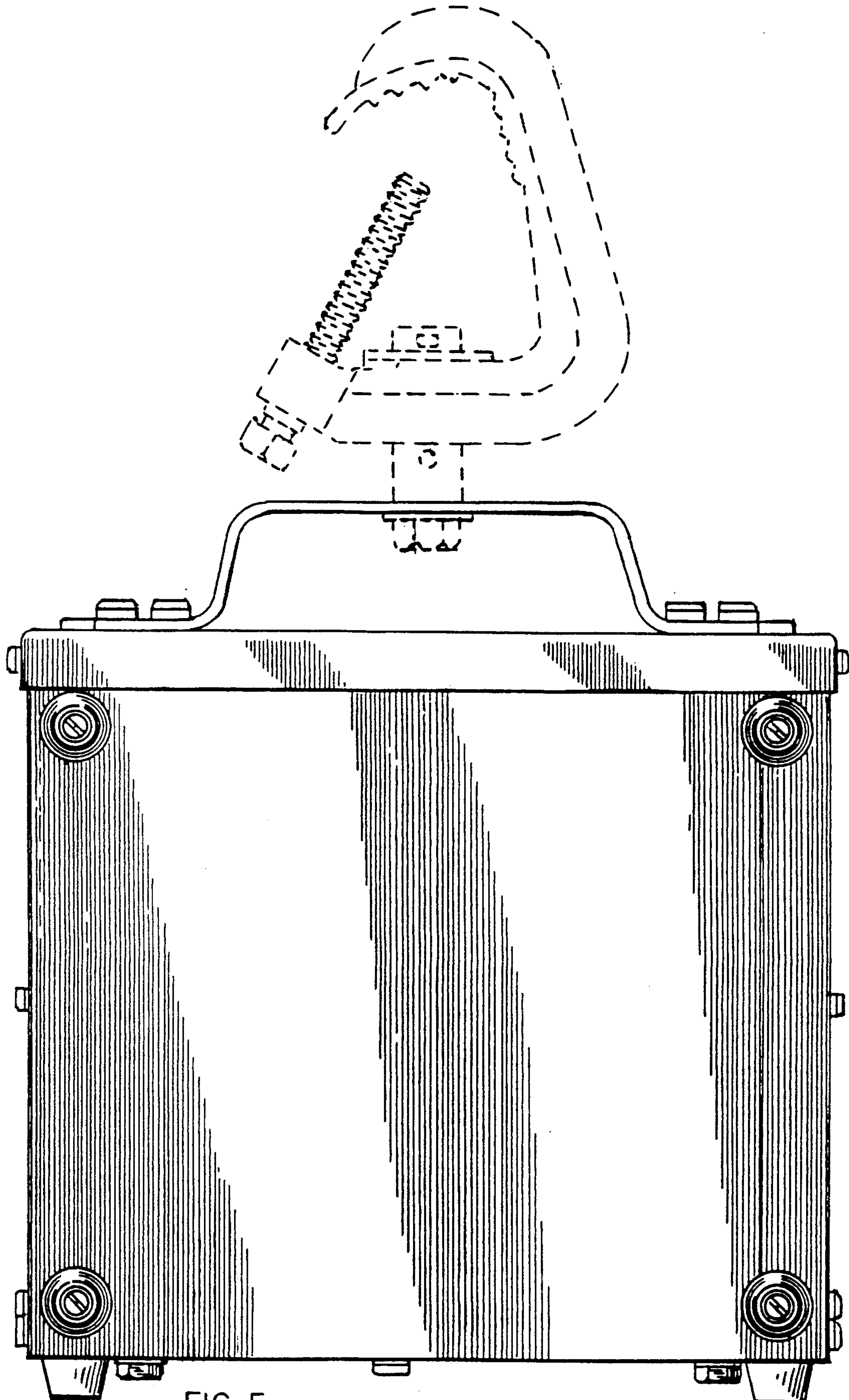


FIG. 5

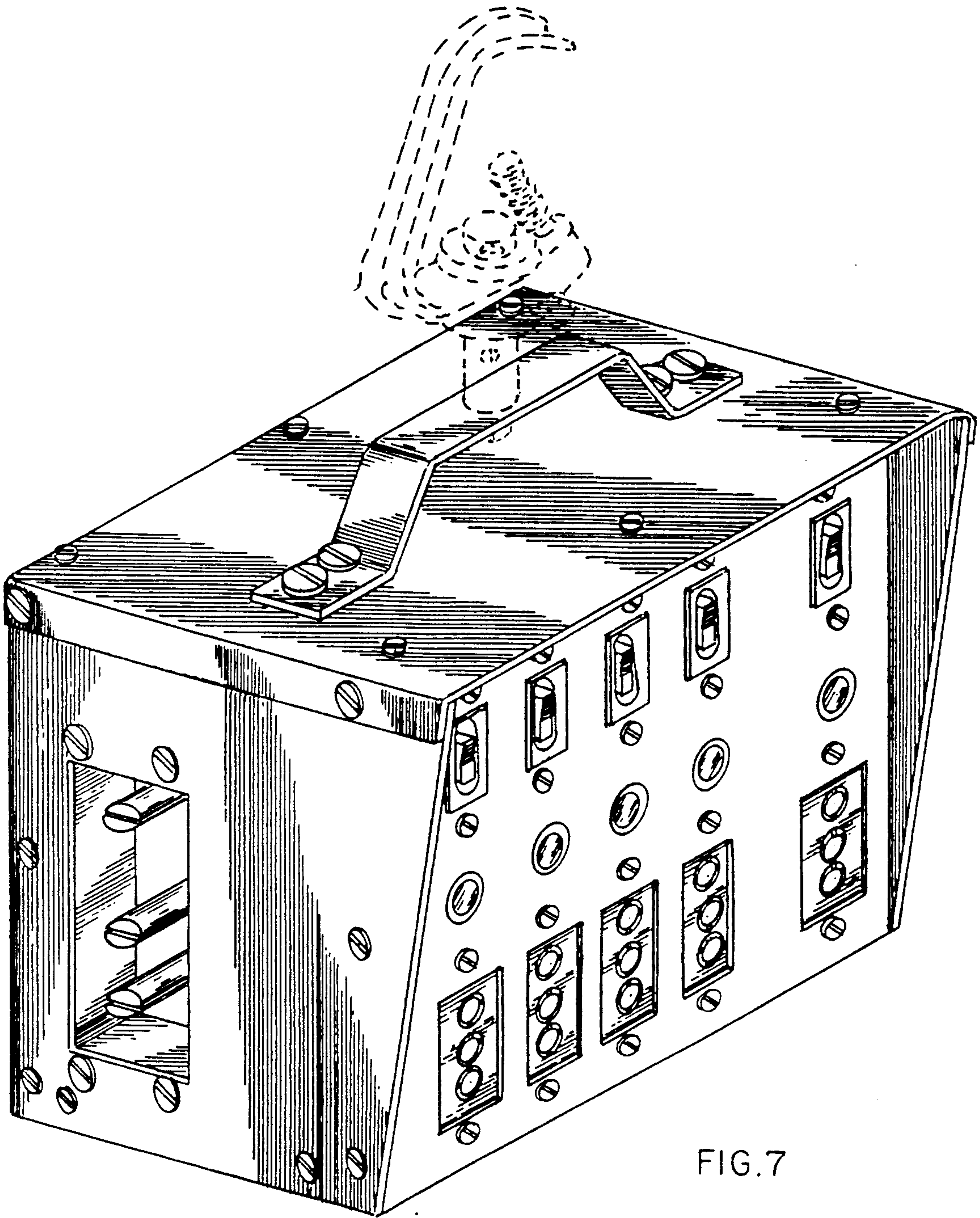


FIG. 7

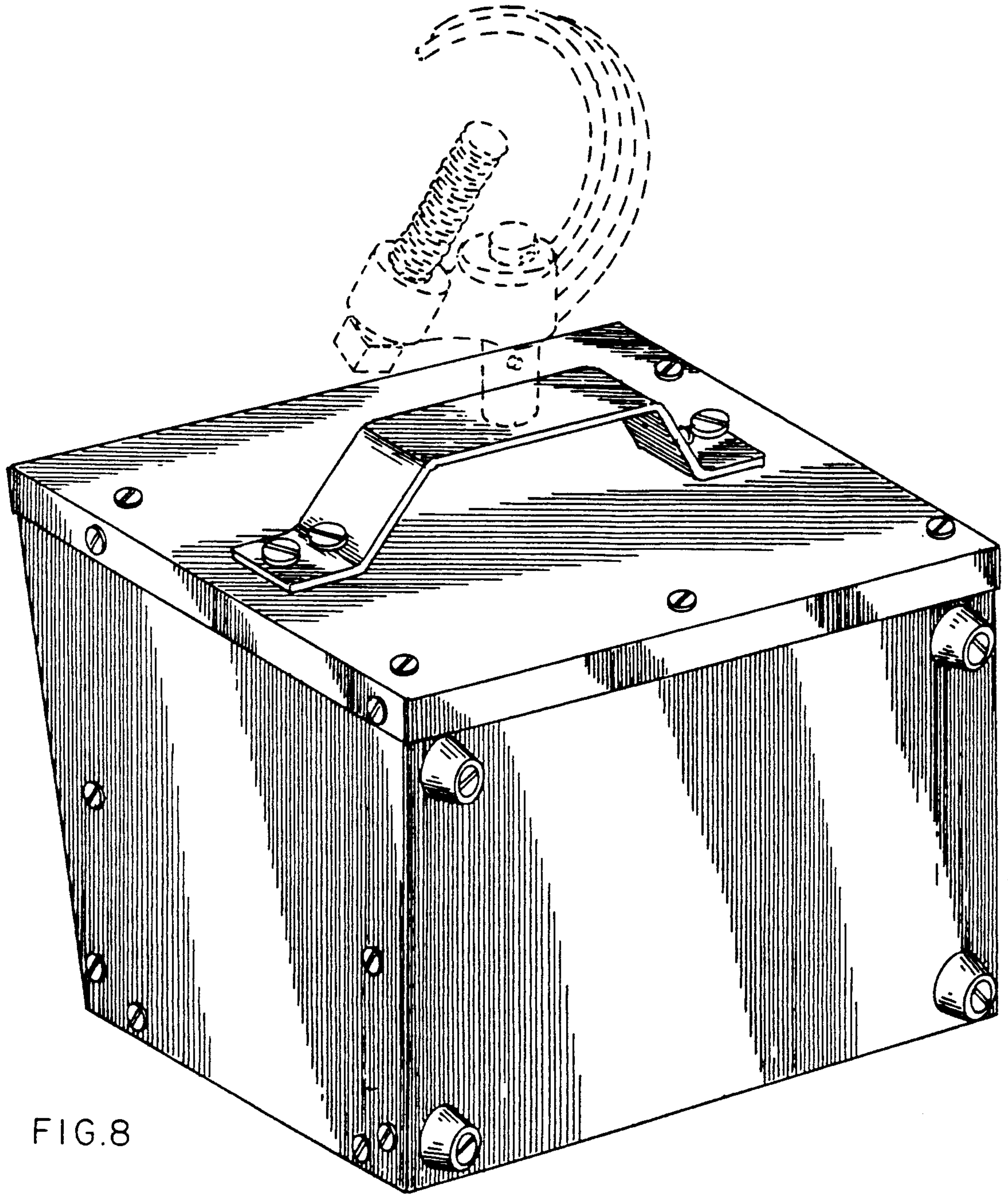


FIG.8