



US00D341123S

United States Patent [19]

[11] Patent Number: **Des. 341,123**

Hakanen et al.

[45] Date of Patent: **** Nov. 9, 1993**

[54] **CHARGER CAPABLE OF BEING CONNECTED TO A CIGARETTE LIGHTER IN AN AUTOMOBILE, FOR A RADIO TELEPHONE**

[75] Inventors: **Pekka Hakanen, Turku; Ari Léman, Pertteli; Jouko Tattari, Salo, all of Finland**

[73] Assignee: **Nokia Mobile Phones Ltd., Salo, Finland**

[**] Term: **14 Years**

[21] Appl. No.: **595,933**

[22] Filed: **Oct. 9, 1990**

[30] **Foreign Application Priority Data**

Apr. 12, 1990 [FI] Finland 331/90

[52] U.S. Cl. **D13/108; D13/144**

[58] Field of Search D13/133, 144, 107, 108; D14/138, 256; 439/622, 627, 638, 639, 668; 320/2, 3

[56] **References Cited**

U.S. PATENT DOCUMENTS

- D. 303,954 10/1989 Michels et al. D13/144 X
- D. 315,543 3/1991 Soren et al. D13/133
- 4,248,494 2/1981 McDonald et al. 439/668 X

OTHER PUBLICATIONS

Electrical adaptor on p. 121 of Hong Kong Enterprise, identified with an arrow on attached photocopy.
Adapter (5) on p. 44 of Radio Shack 1987 Catalog.
AD60RTN universal DC cigarette lighter converter on p. 404 of 1989/1990 B. A. Pargh Co. Catalog.

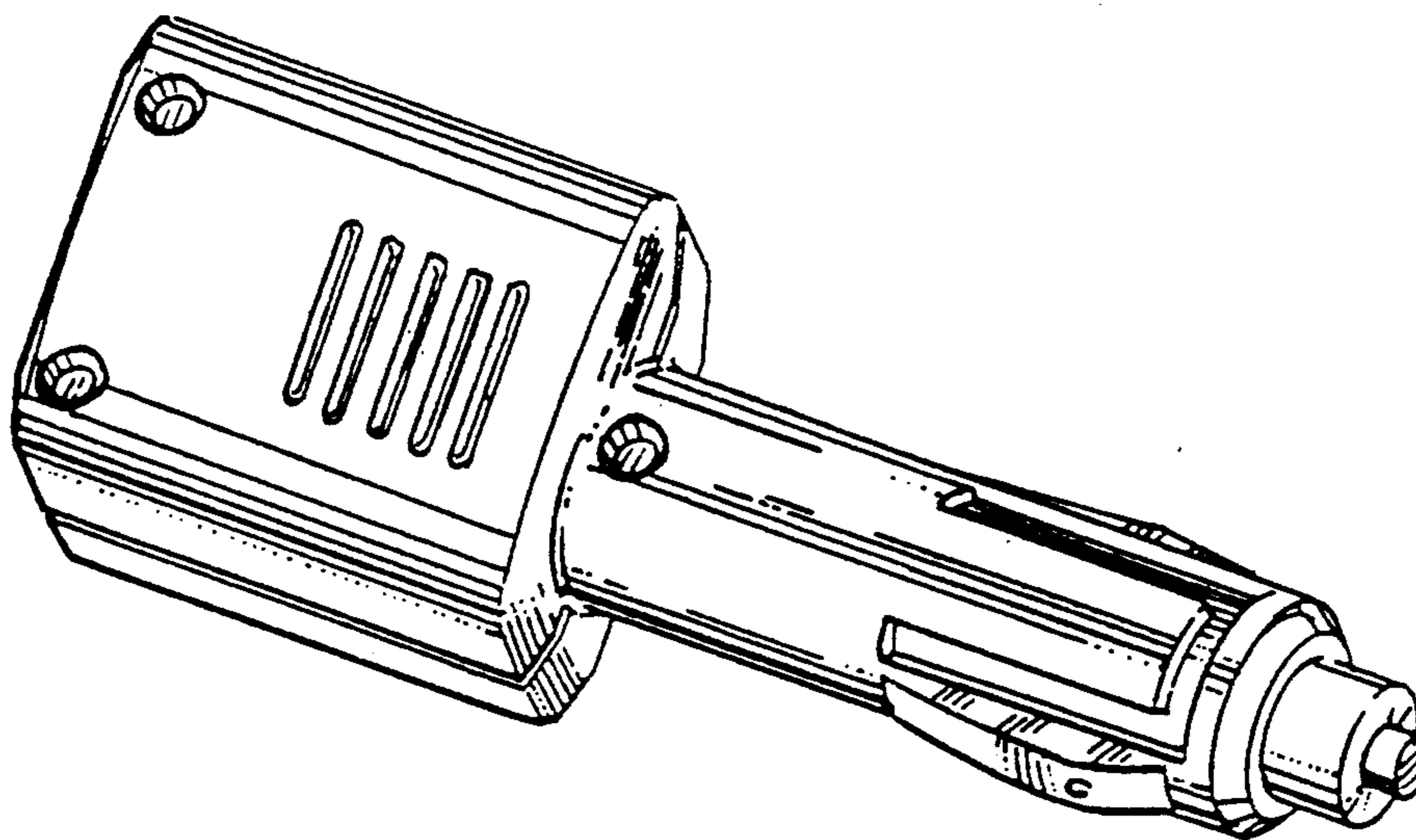
Primary Examiner—Wallace R. Burke
Assistant Examiner—Joel Sincavage
Attorney, Agent, or Firm—Klauber & Jackson

[57] **CLAIM**

The ornamental design for a charger, capable of being connected to a cigarette lighter in an automobile, for a radio telephone, as shown and described.

DESCRIPTION

FIG. 1 is a perspective view, taken from the top and front, showing the charger, capable of being connected to a cigarette lighter in an automobile, for a radio telephone of our new design;
FIG. 2 is a left side elevational view thereof;
FIG. 3 is a right side elevational view thereof;
FIG. 4 is a top plan view thereof;
FIG. 5 is a bottom plan view thereof;
FIG. 6 is a front elevational view thereof;
FIG. 7 is a rear elevational view thereof; and,
FIG. 8 is a perspective view taken from the rear thereof.



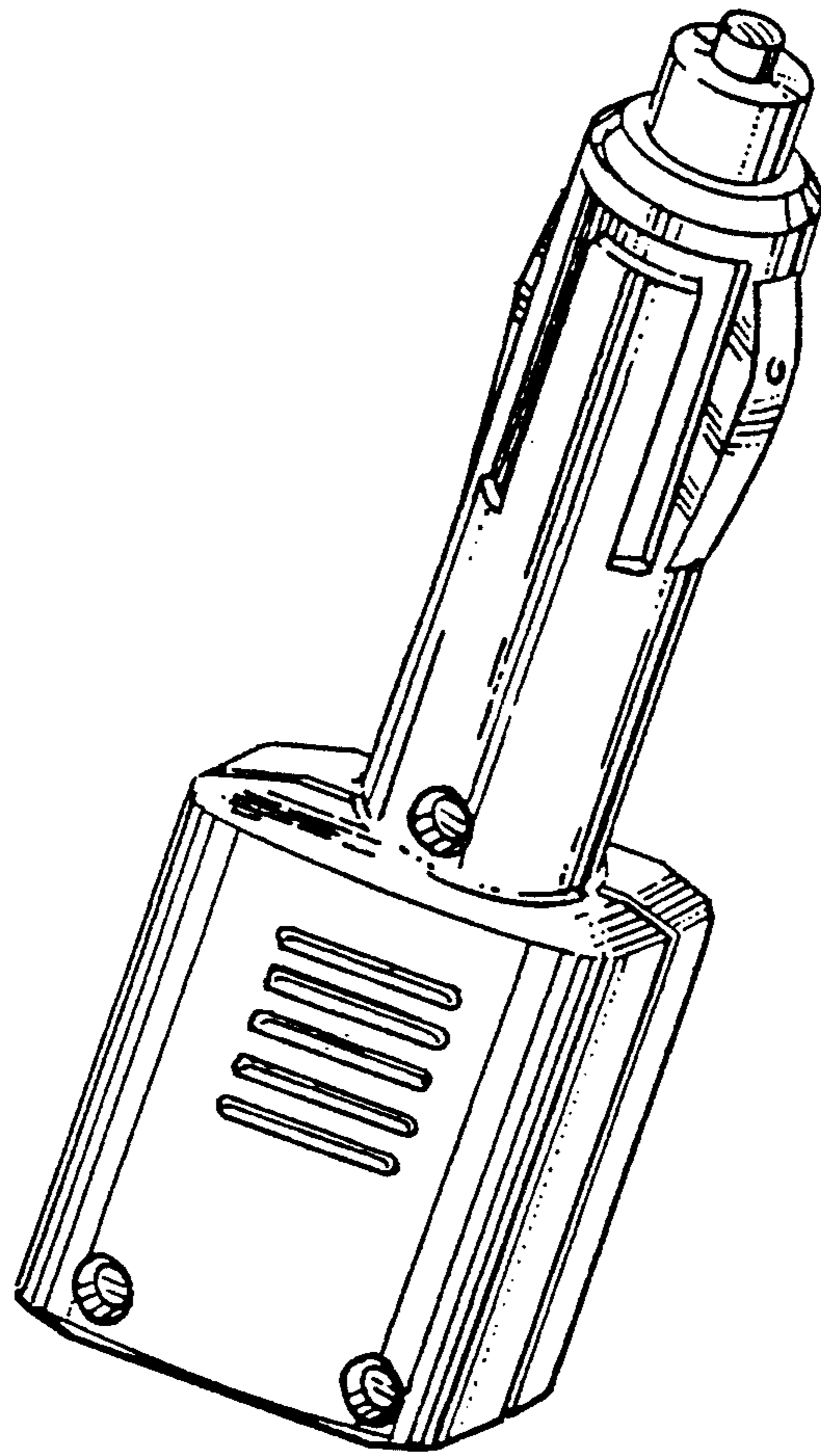


FIG. 1

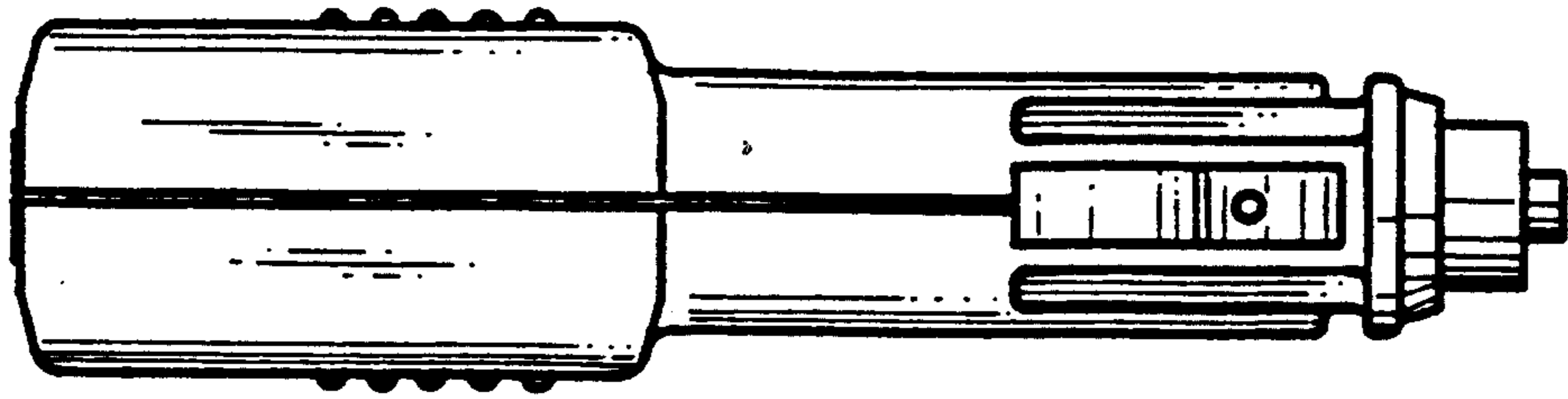


FIG. 2

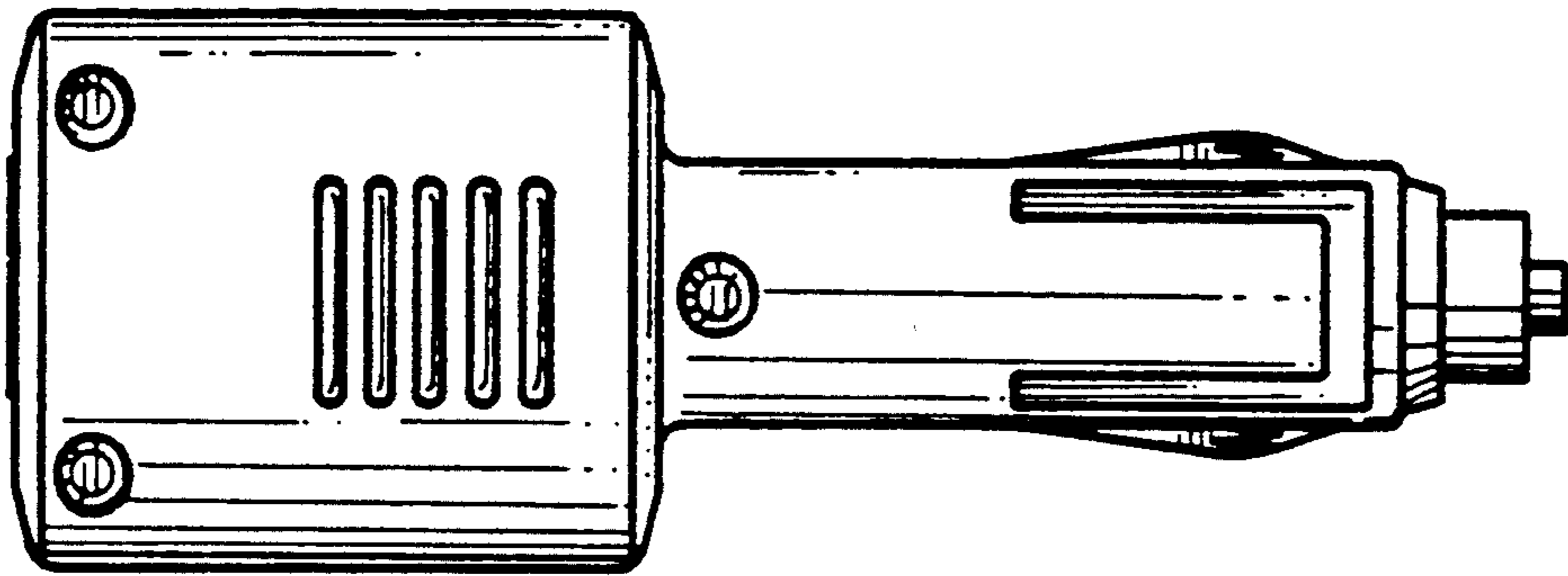


FIG. 4

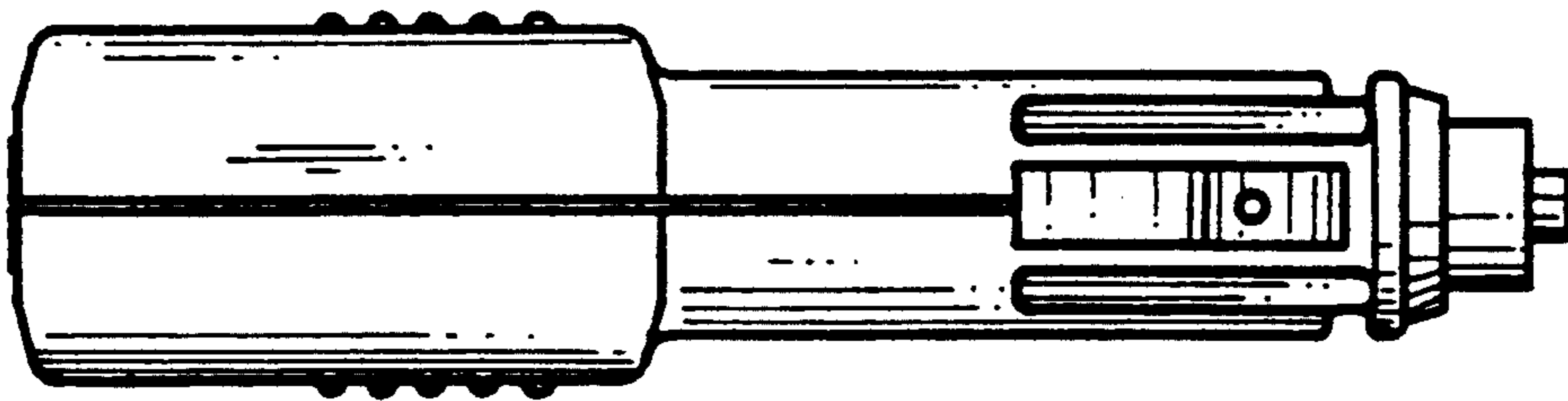


FIG. 3

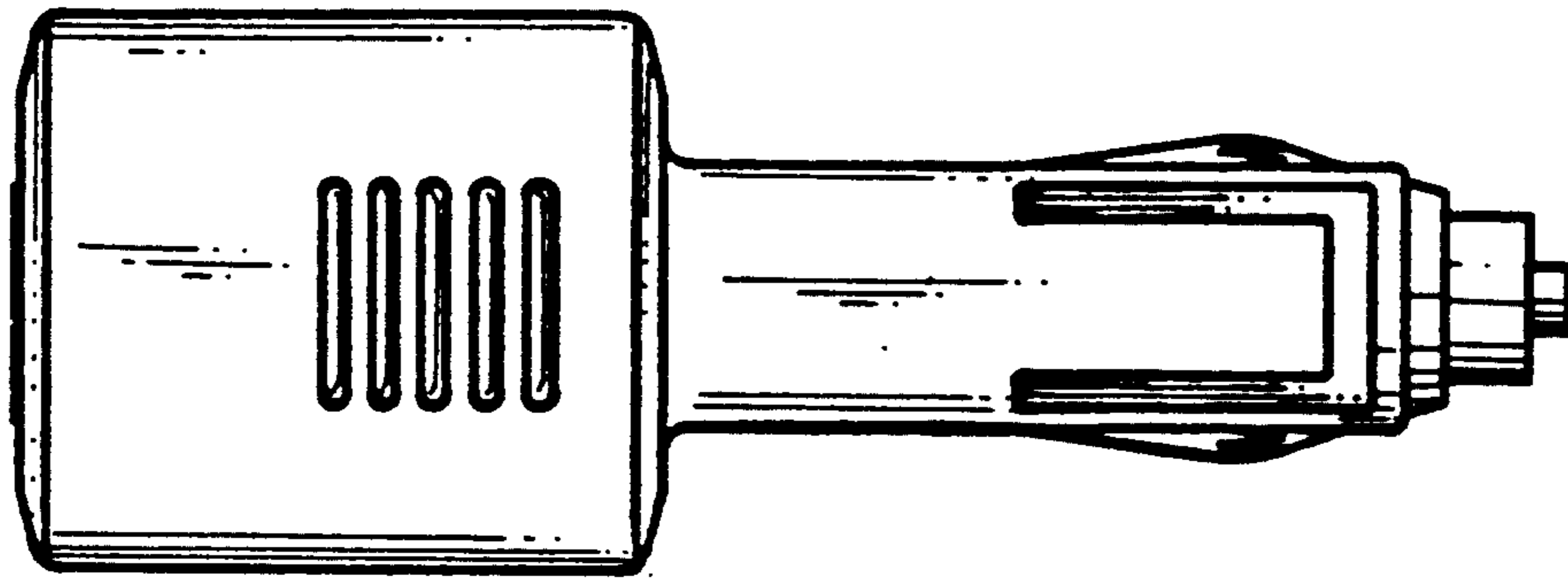


FIG. 5

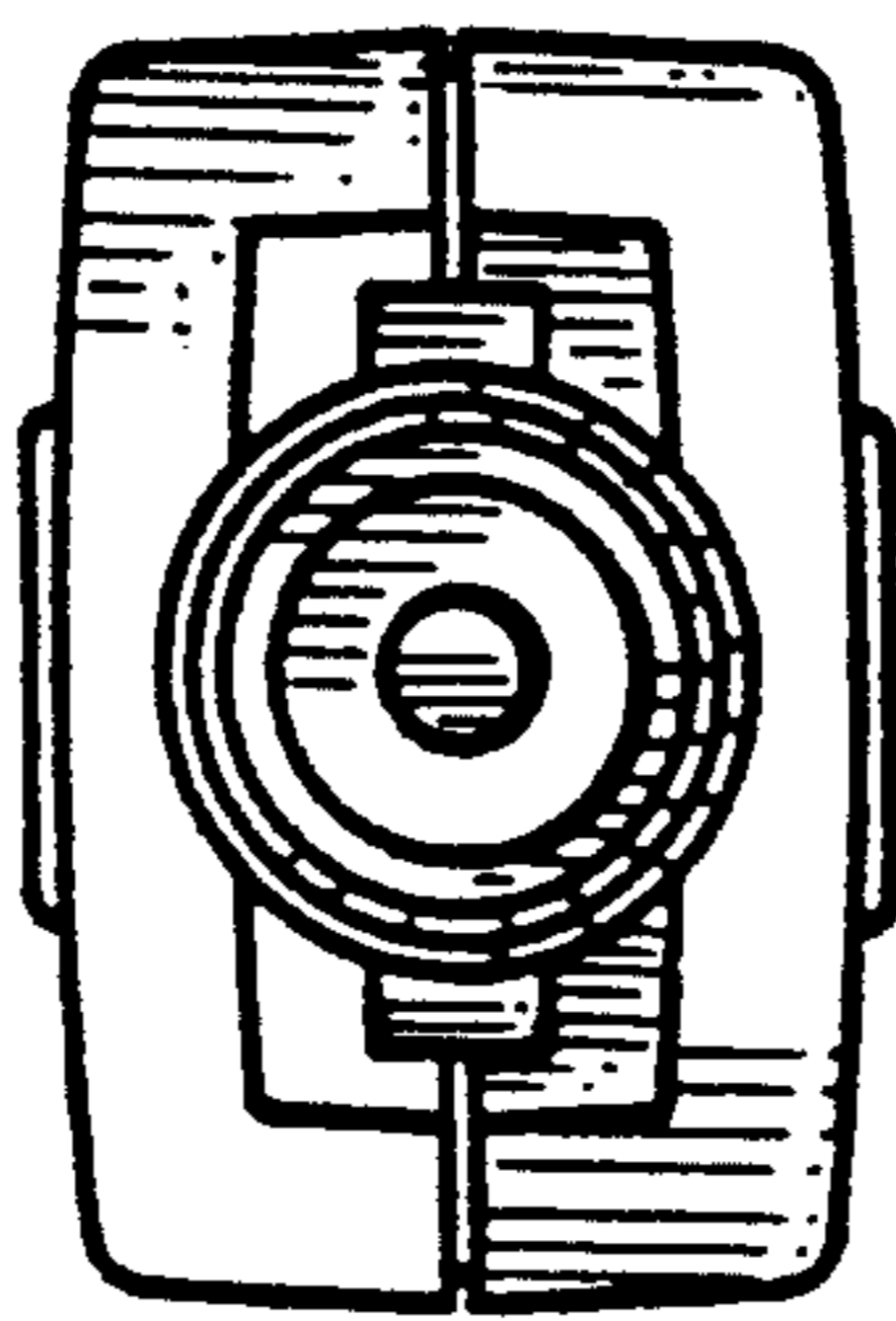


FIG. 6

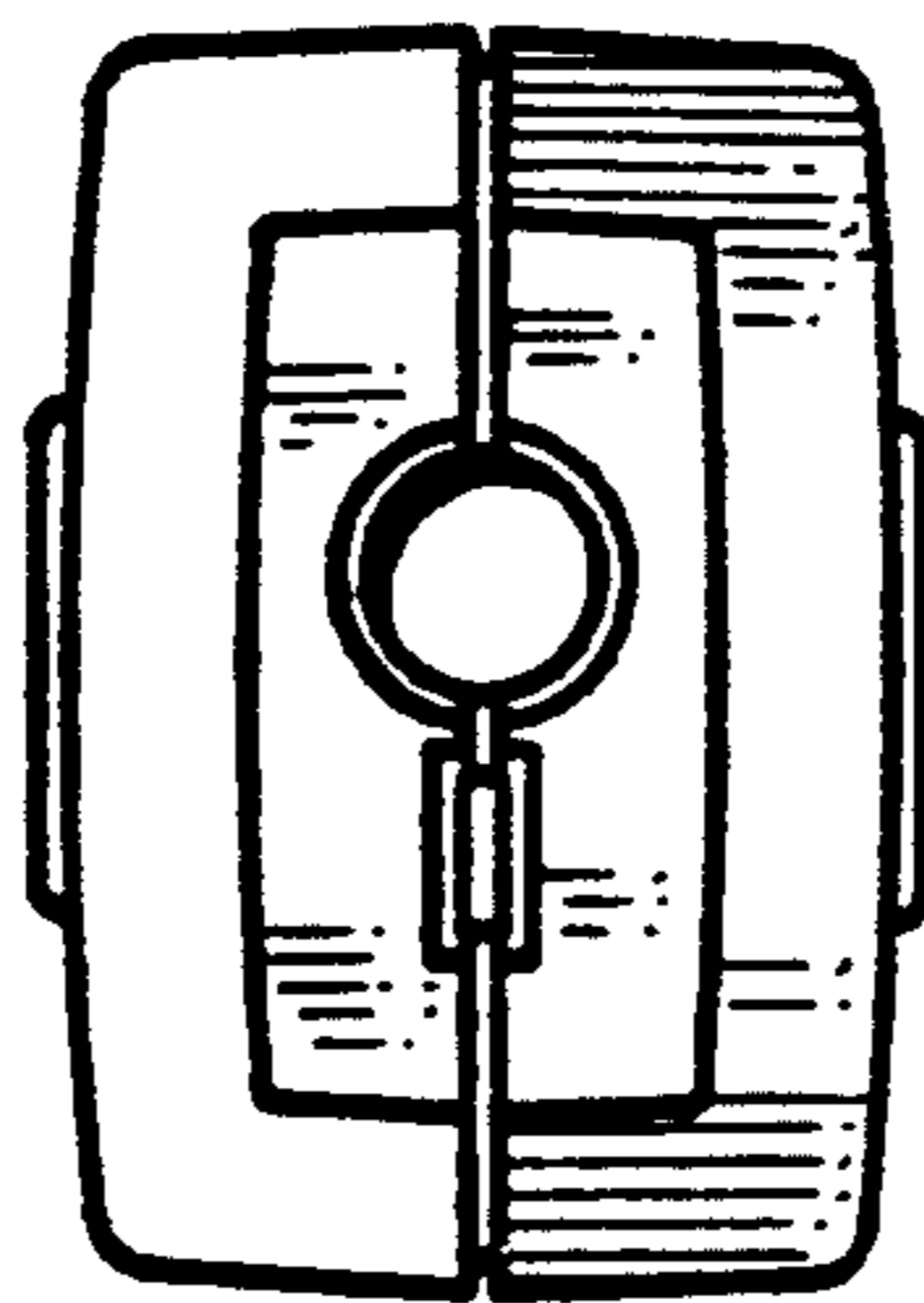


FIG. 7

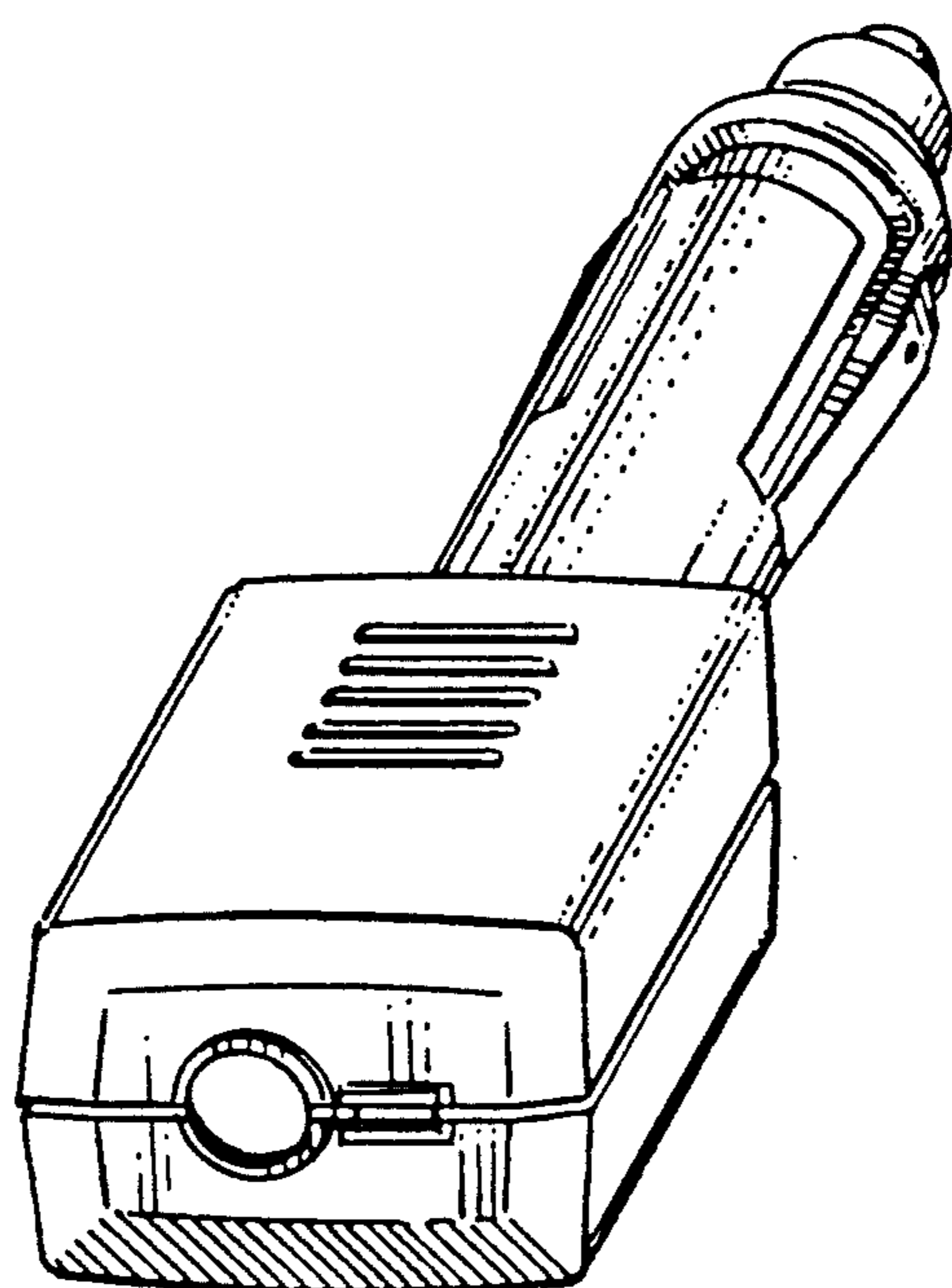


FIG. 8