



US00D341122S

United States Patent [19]

[11] Patent Number: **Des. 341,122**

Webb

[45] Date of Patent: **** Nov. 9, 1993**

[54] **PRESSURE SEAL FOR AIRCRAFT CANOPY**

[75] Inventor: **Roger M. Webb, Dallas, Tex.**

[73] Assignee: **Texstar, Inc., Grand Prairie, Tex.**

[**] Term: **14 Years**

[21] Appl. No.: **786,972**

[22] Filed: **Nov. 4, 1991**

[52] U.S. Cl. **D12/345; D12/317**

[58] Field of Search **D12/345, 317; 244/121**

[56] **References Cited**

U.S. PATENT DOCUMENTS

2,443,751	6/1948	Terepin et al.	244/121
2,596,045	5/1952	Rogallo	244/121
2,680,582	6/1954	Hansen et al.	244/121
2,959,382	11/1960	Turner	244/121

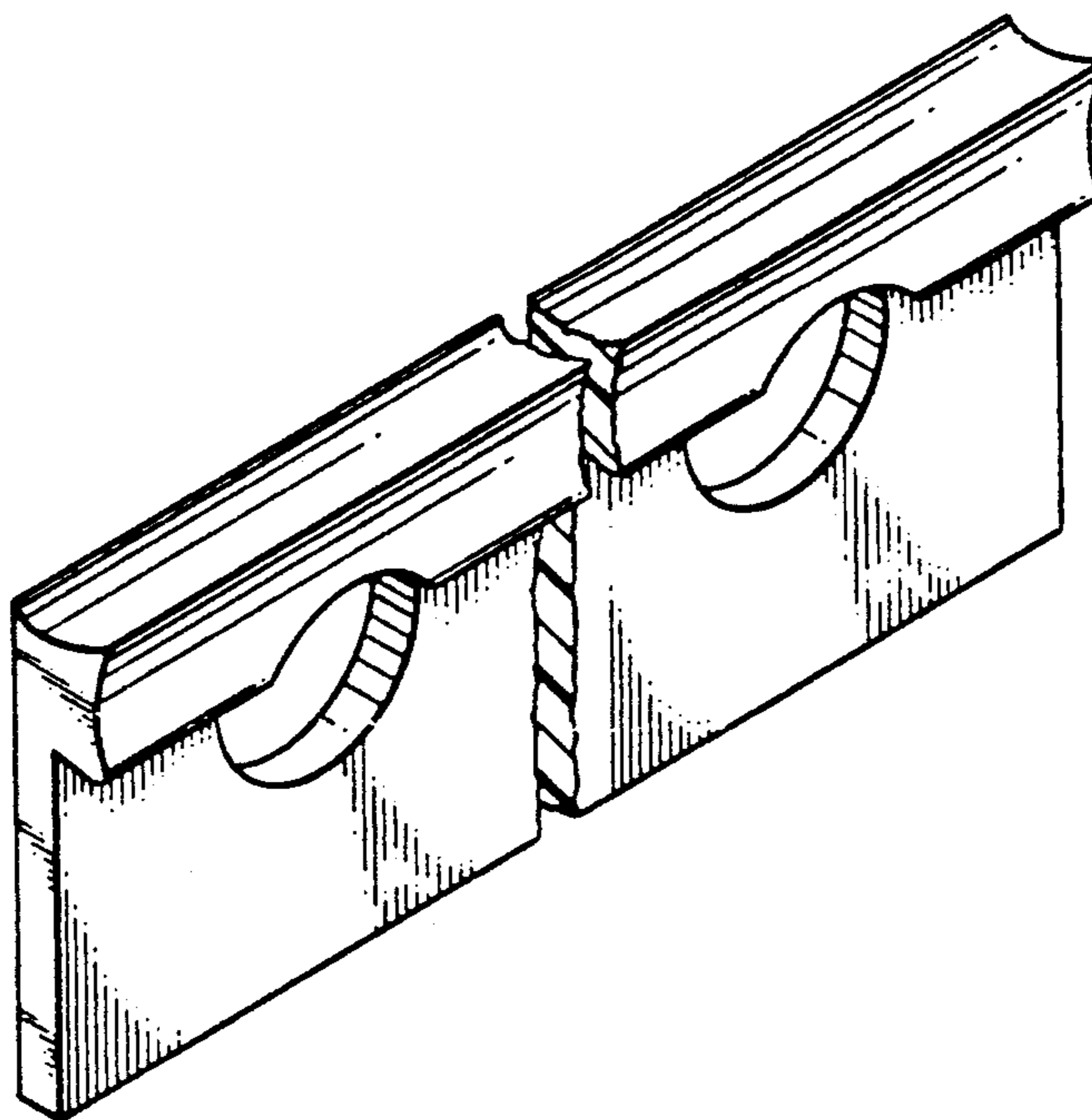
Primary Examiner—Kay H. Chin
Attorney, Agent, or Firm—Timmons & Kelly

[57] **CLAIM**

The ornamental design for a pressure seal for aircraft canopy, as shown and described.

DESCRIPTION

FIG. 1 is a front left perspective view of a pressure seal for aircraft canopy showing my new design; FIG. 2 is a top plan view thereof; FIG. 3 is a right side elevational view thereof; FIG. 4 is a front elevational view thereof; FIG. 5 is a left side elevational view thereof; FIG. 6 is a rear elevational view thereof; and, FIG. 7 is a bottom plan view thereof. The pressure seal is shown broken away to indicate an article of indeterminate length.



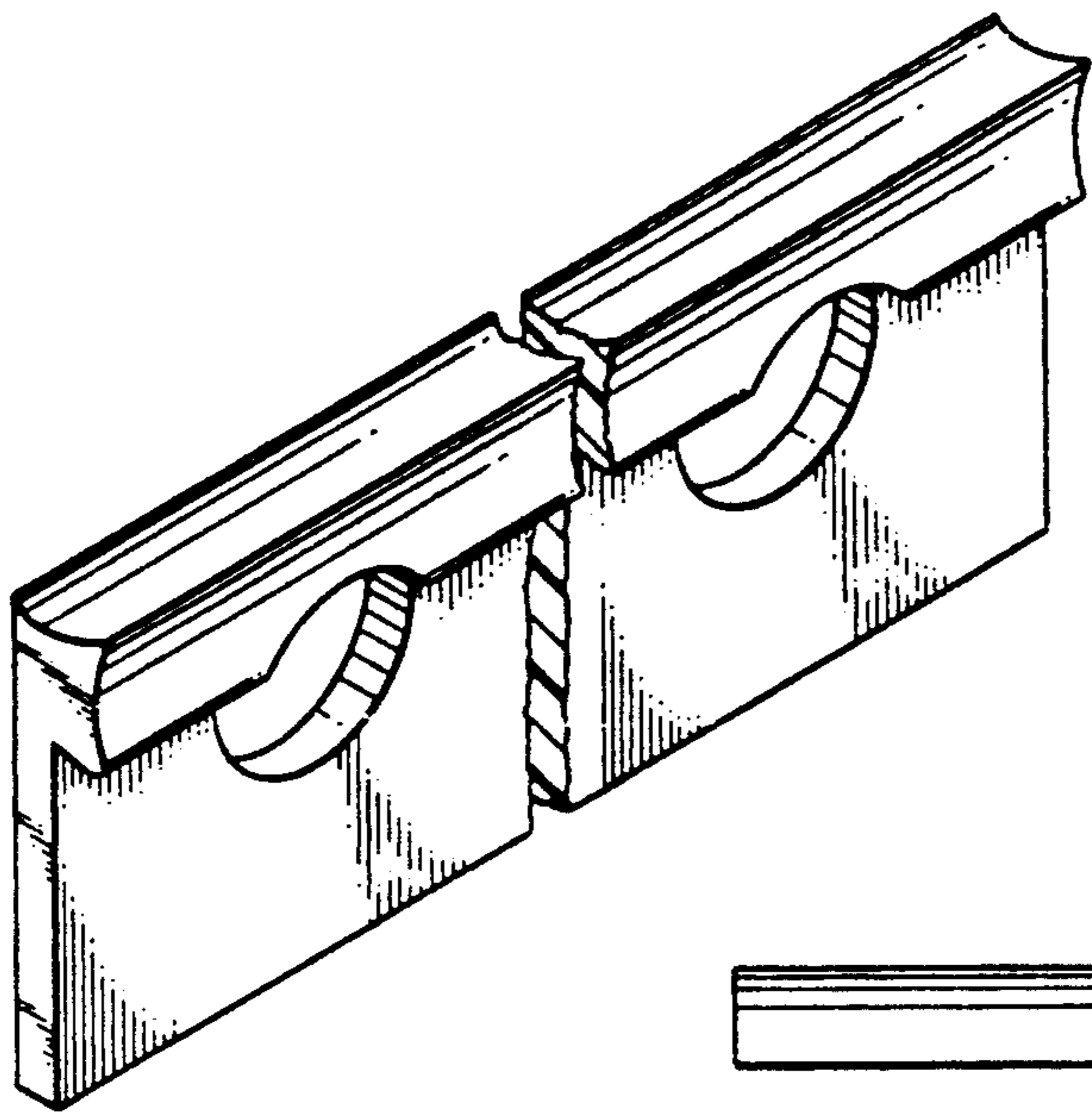


FIG. 1



FIG. 2



FIG. 3

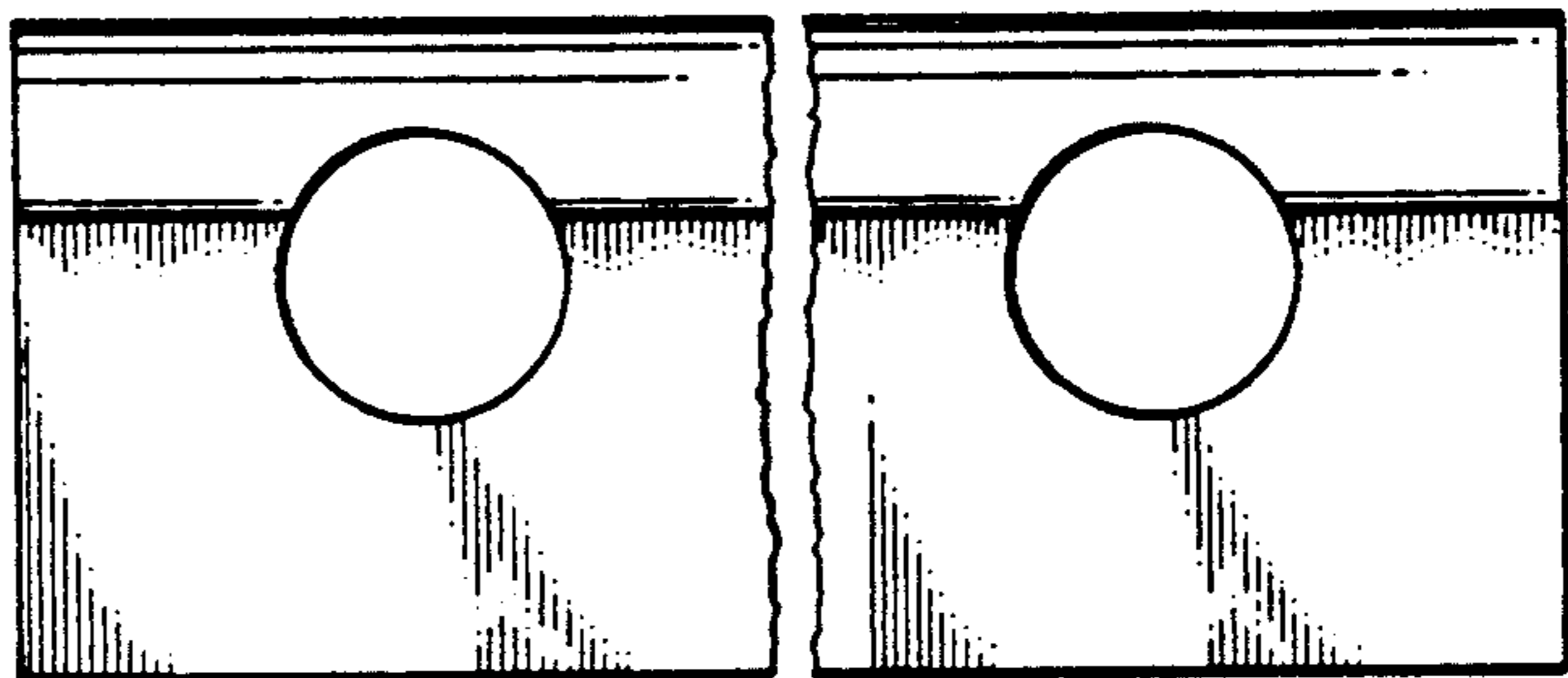


FIG. 4



FIG. 5

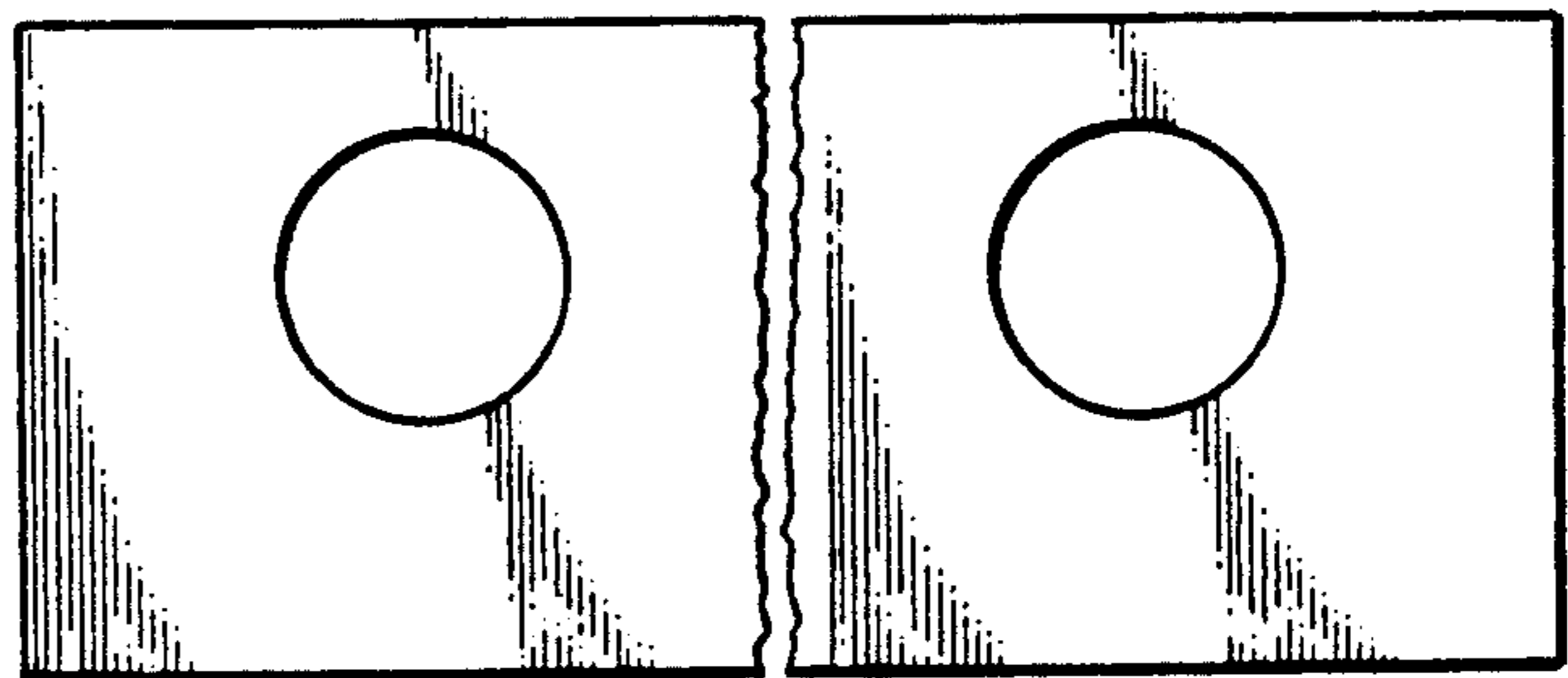


FIG. 6



FIG. 7