



US00D341119S

# United States Patent [19]

[11] Patent Number: **Des. 341,119**

Steinke et al.

[45] Date of Patent: **\*\* Nov. 9, 1993**

[54] **DISC BRAKE SHIM**

[75] Inventors: **Gustav J. Steinke; Starla D. Huffer,**  
both of Lima, Ohio

[73] Assignee: **International Brake Industries, Inc.,**  
Lima, Ohio

[\*\*] Term: **14 Years**

[21] Appl. No.: **797,261**

[22] Filed: **Nov. 25, 1991**

[52] U.S. Cl. .... **D12/180**

[58] Field of Search ..... **D12/180; 180/73.1, 250 D**

[56] **References Cited**

**U.S. PATENT DOCUMENTS**

- D. 279,467 7/1985 Eberhart et al. .... D12/180
- 5,033,590 7/1991 Kobayashi et al. .... 188/250 B
- 5,141,083 8/1991 Burgoon ..... 188/250 B

**FOREIGN PATENT DOCUMENTS**

0180555 5/1986 European Pat. Off. .... 188/73.1

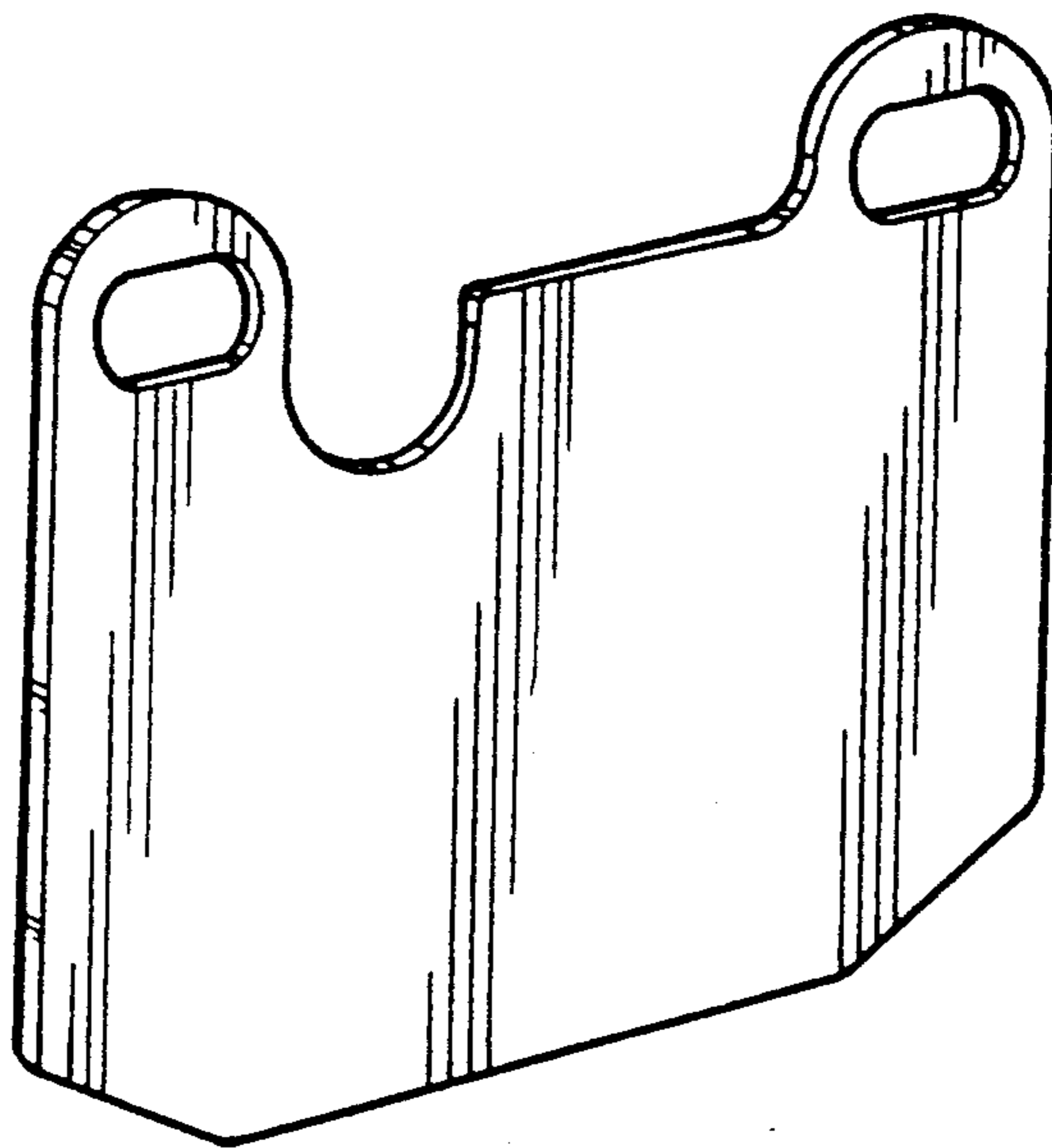
*Primary Examiner*—Wallace R. Burke  
*Assistant Examiner*—Melody Brown  
*Attorney, Agent, or Firm*—Edgar A. Zarins; Malcolm L. Sutherland

[57] **CLAIM**

The ornamental design for a disc brake shim, as shown.

**DESCRIPTION**

FIG. 1 is a perspective view of a disc brake shim showing our new design;  
FIG. 2 is a front elevational view thereof;  
FIG. 3 is a front plan view thereof;  
FIG. 4 is a top view thereof;  
FIG. 5 is a right side view thereof;  
FIG. 6 is a rear elevational view thereof; and,  
FIG. 7 is a bottom view thereof.



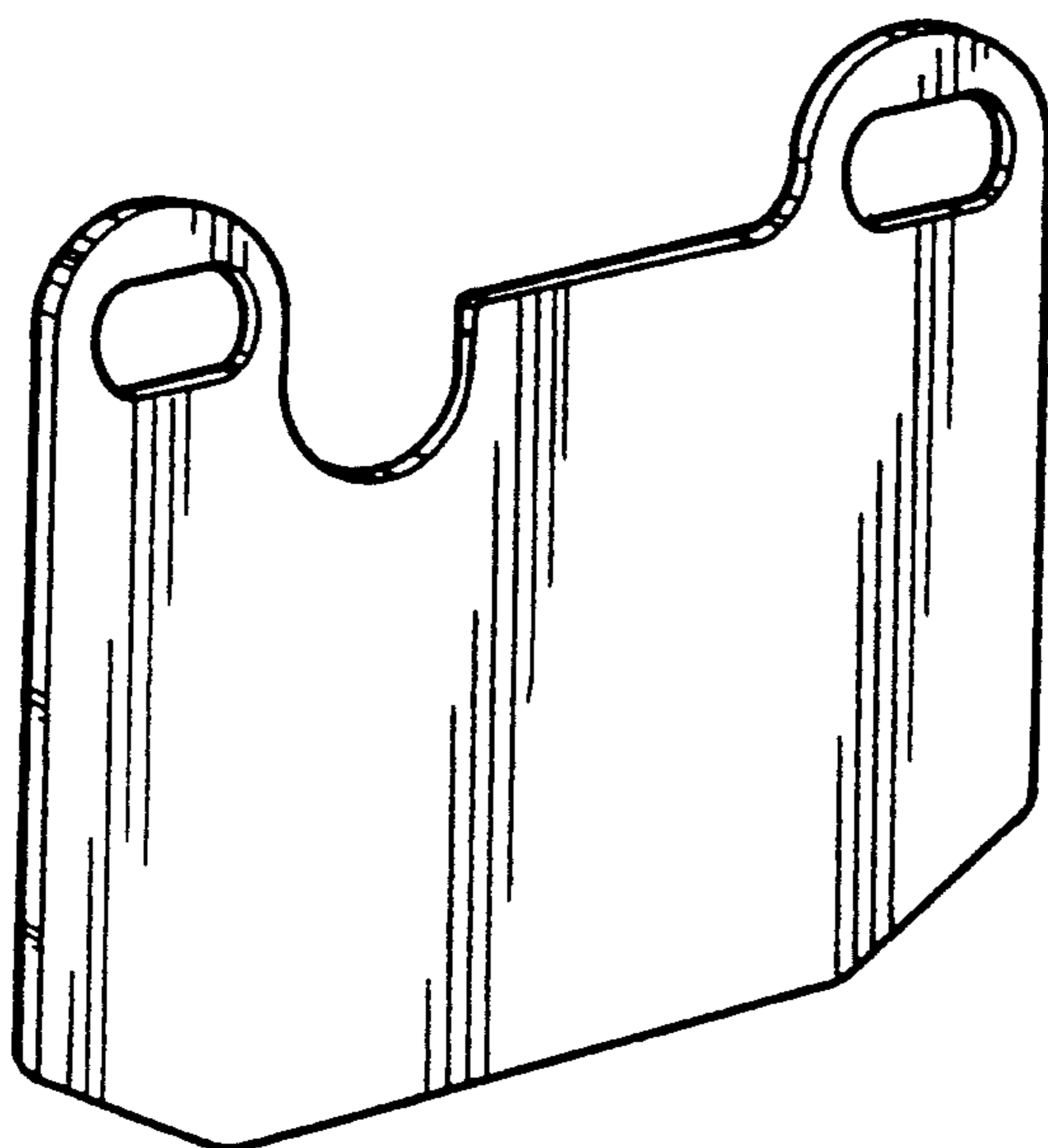


Fig-1



Fig-2

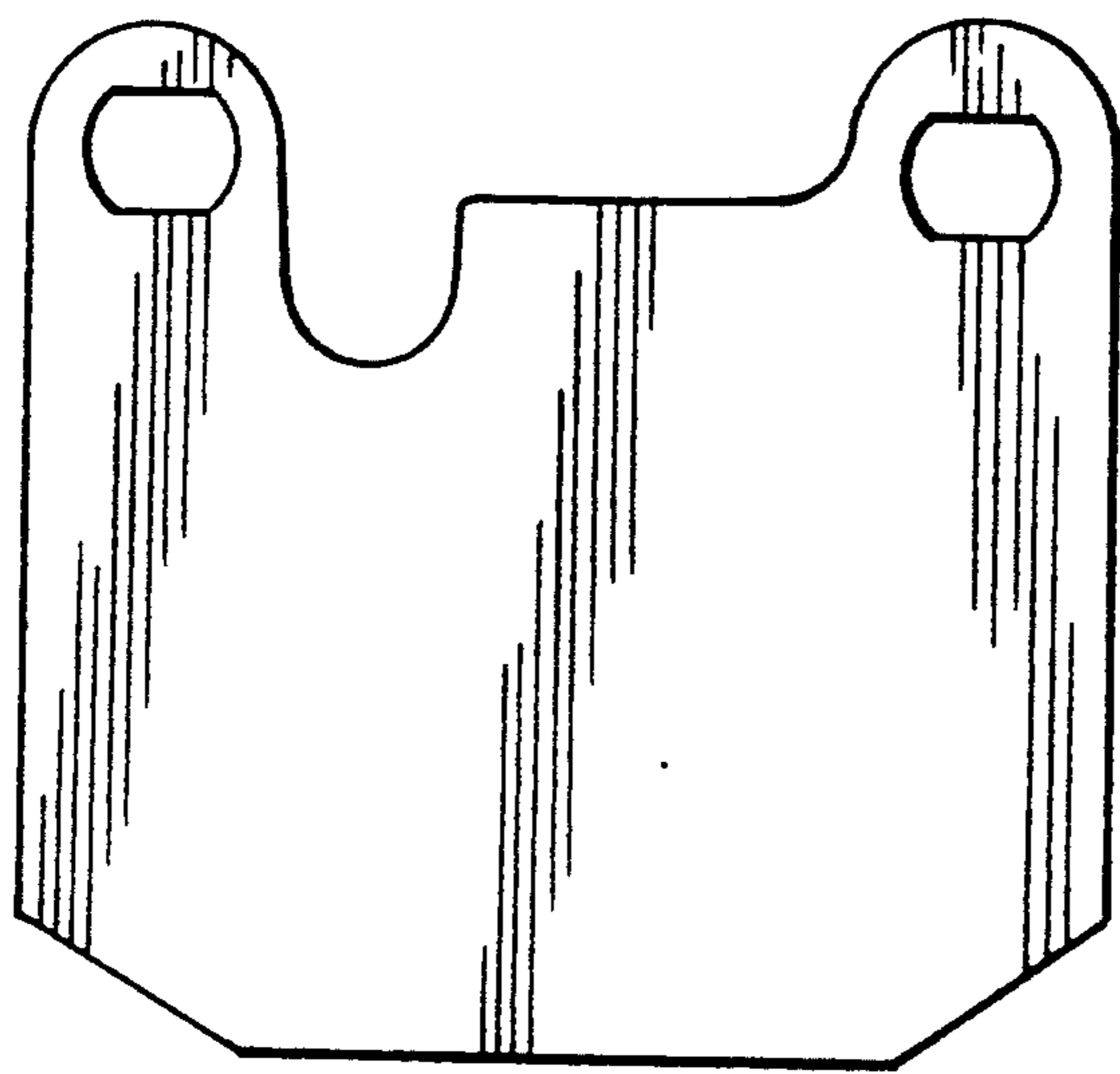


Fig-3

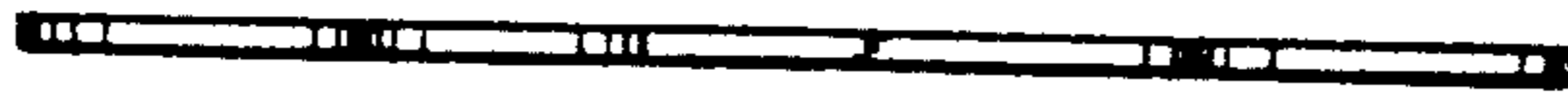


Fig-4



Fig-5

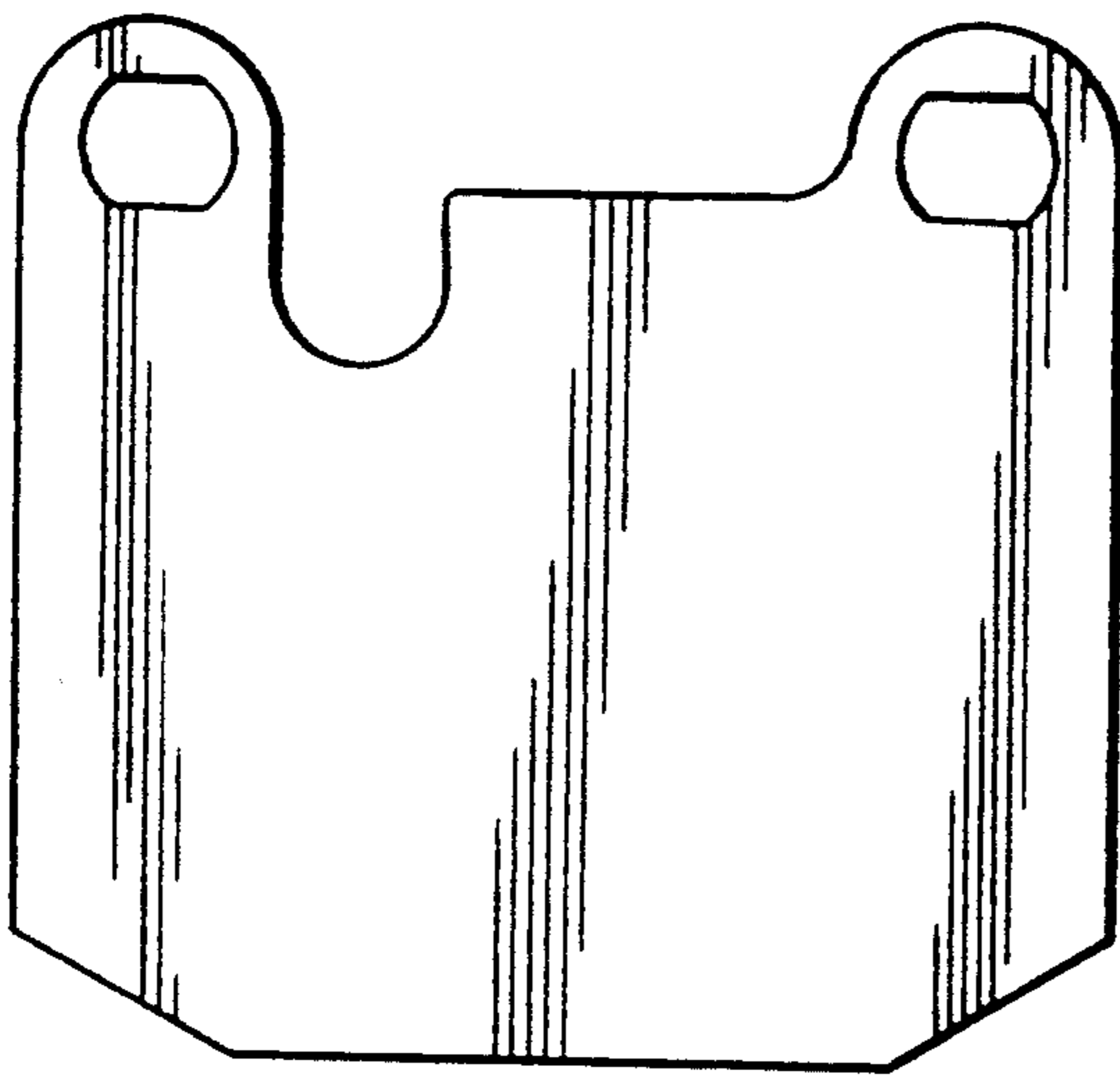


Fig-6

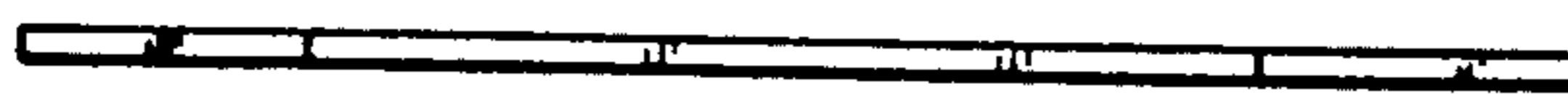


Fig-7

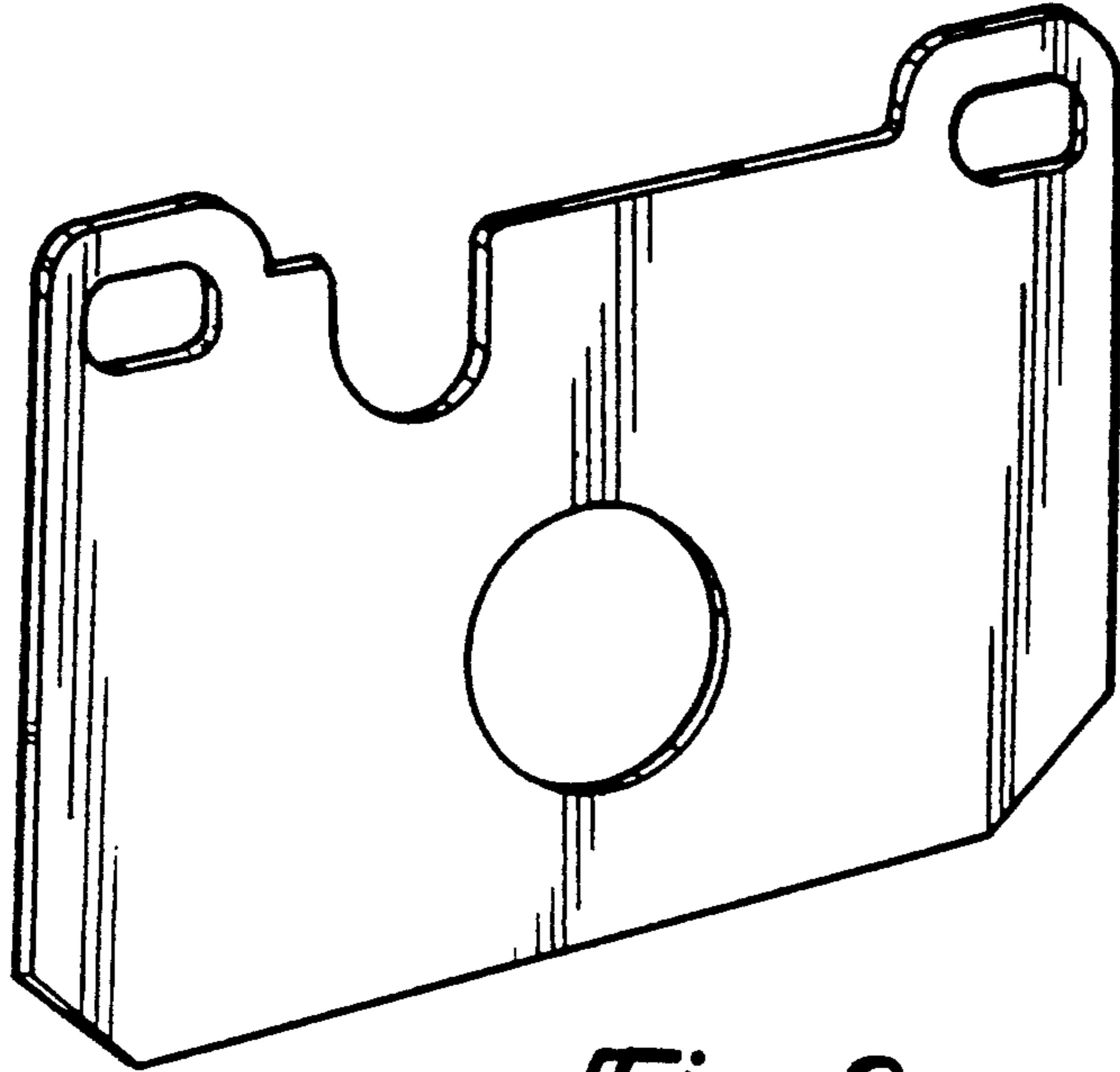


Fig-8

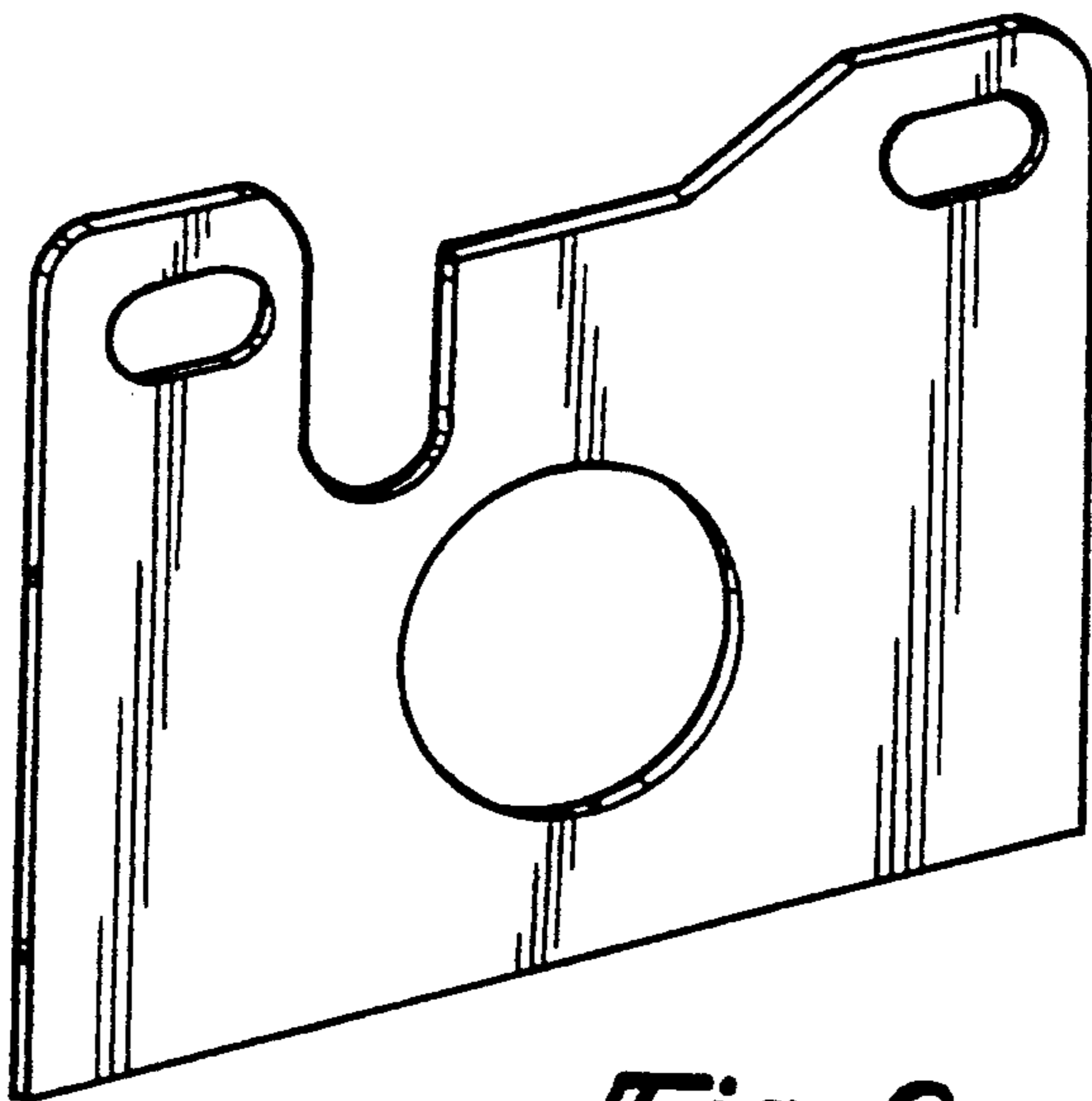


Fig-9